



US00D869903S

(12) **United States Design Patent** (10) **Patent No.:** **US D869,903 S**
Zhong (45) **Date of Patent:** **** Dec. 17, 2019**

(54) **MULTI-FUNCTION COOKING BASKET**
(71) Applicant: **Ruiping Zhong**, Jiangxi (CN)
(72) Inventor: **Ruiping Zhong**, Jiangxi (CN)
(**) Term: **15 Years**
(21) Appl. No.: **29/698,857**
(22) Filed: **Jul. 19, 2019**
(51) **LOC (12) Cl.** **07-02**
(52) **U.S. Cl.**
USPC **D7/409**; D7/354; D7/356; D7/360
(58) **Field of Classification Search**
USPC D7/323, 332, 335-337, 354-357,
D7/359-364, 387-388, 402, 407-409, 667
CPC A21B 2/00; A21B 3/00; A21B 3/13; A21B
3/15; A21B 5/00; A21B 5/02; A23N
12/06; A23N 12/08; A23N 12/10; A47J
27/04; A47J 27/08; A47J 36/08; A47J
36/22; A47J 37/00; A47J 37/04; A47J
37/041; A47J 37/042; A47J 37/06; A47J
37/0688; A47J 37/0694; A47J 37/07;
A47J 37/0704; A47J 37/10; A47J
37/1209; A47J 47/20; A47J 43/24; A47J
2037/00; A47J 2037/06; A47J 2037/0611;
A47J 2037/07; A47J 2037/0786; A47J
2037/0795; F24C 15/10; F24C 15/12;
F24C 15/14; F24C 15/16; F24C 15/164;
F24C 15/18

See application file for complete search history.

(56) **References Cited**

U.S. PATENT DOCUMENTS

2,138,967 A * 12/1938 Harris A47J 36/22
294/26.5
D226,940 S * 5/1973 Lax D7/360
4,626,352 A * 12/1986 Massey A47J 36/08
210/469
D296,287 S * 6/1988 Mueller D7/356

5,826,494 A * 10/1998 Wang A47J 27/04
99/340
5,853,581 A * 12/1998 Rayborn A47J 43/24
210/241
6,103,291 A * 8/2000 Fernandez Tapia A47J 27/04
426/523
6,269,737 B1 * 8/2001 Rigney A47J 27/04
126/369
6,711,992 B1 3/2004 McLemore
6,941,857 B2 9/2005 McLemore
D536,928 S 2/2007 Kearney et al.
D611,300 S 3/2010 Chen et al.
8,067,716 B1 * 11/2011 Lloyd A47J 37/1209
219/433
D653,074 S * 1/2012 Difante D7/354
D734,103 S * 7/2015 Kin D7/667
D755,012 S * 5/2016 Zemel D7/354
D771,997 S 11/2016 Affatato et al.
D850,200 S 6/2019 Jiang
2005/0092762 A1 * 5/2005 Murat A47J 27/08
220/759

* cited by examiner

Primary Examiner — Ricky Pham

(74) *Attorney, Agent, or Firm* — Wayne V. Harper

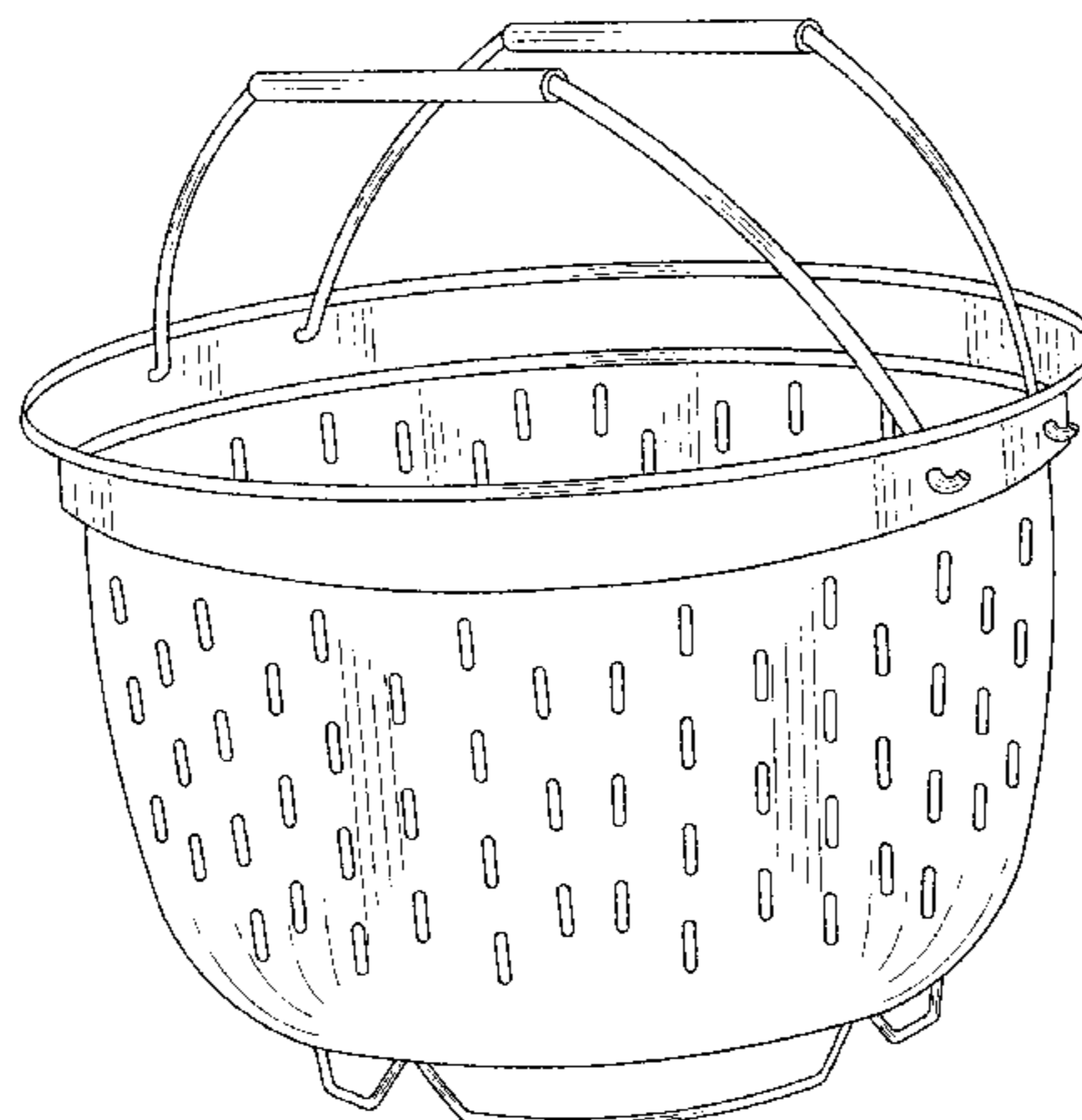
(57) **CLAIM**

The ornamental design for a multi-function cooking basket, as shown and described.

DESCRIPTION

FIG. 1 is a perspective view of a multi-function cooking basket showing my new design;
FIG. 2 is a front elevational view thereof;
FIG. 3 is a right side elevational view thereof;
FIG. 4 is a left side elevational view thereof;
FIG. 5 is a rear elevational view thereof;
FIG. 6 is a top plan view thereof; and,
FIG. 7 is a bottom plan view thereof.

1 Claim, 7 Drawing Sheets



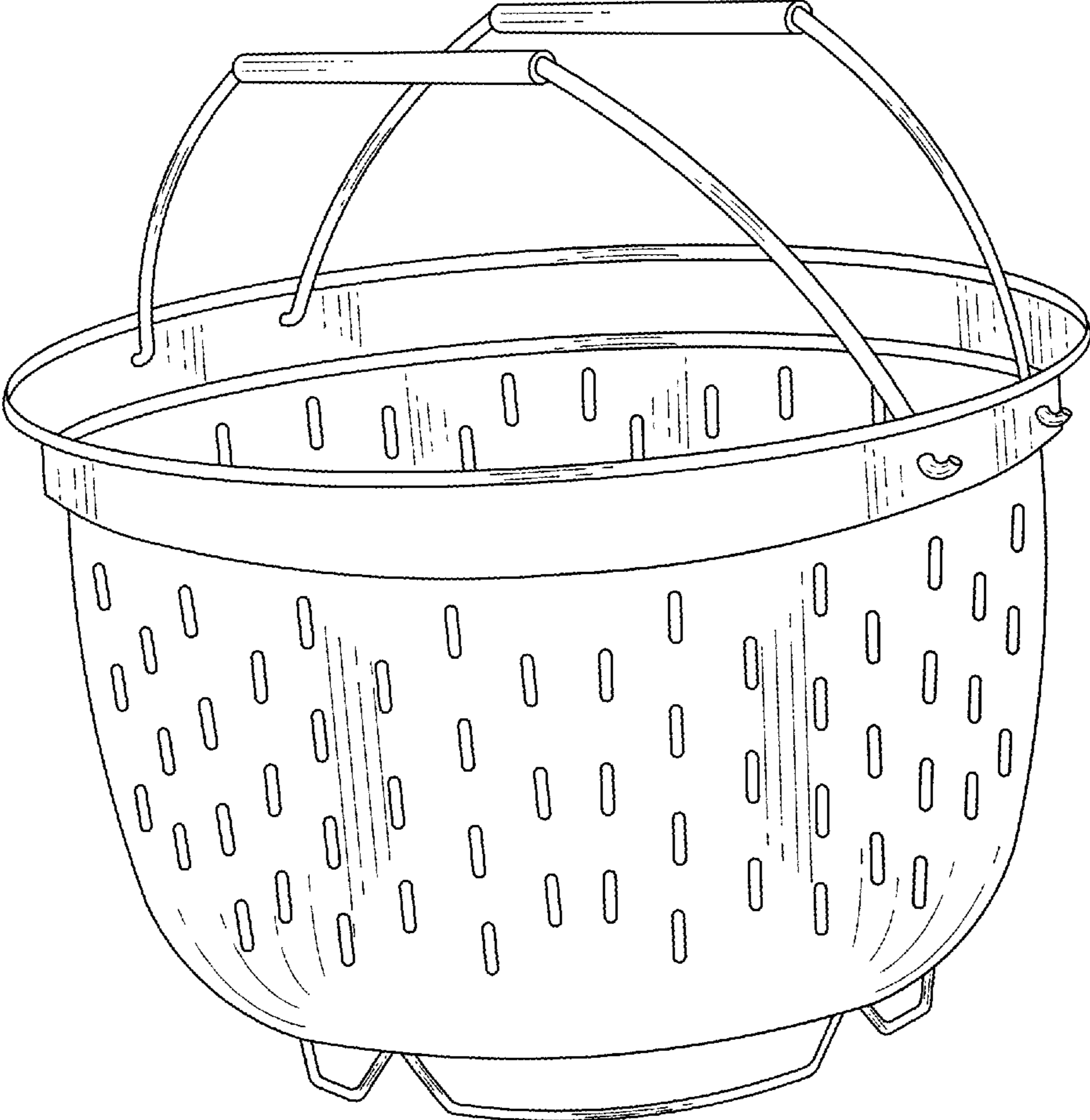


FIG. 1

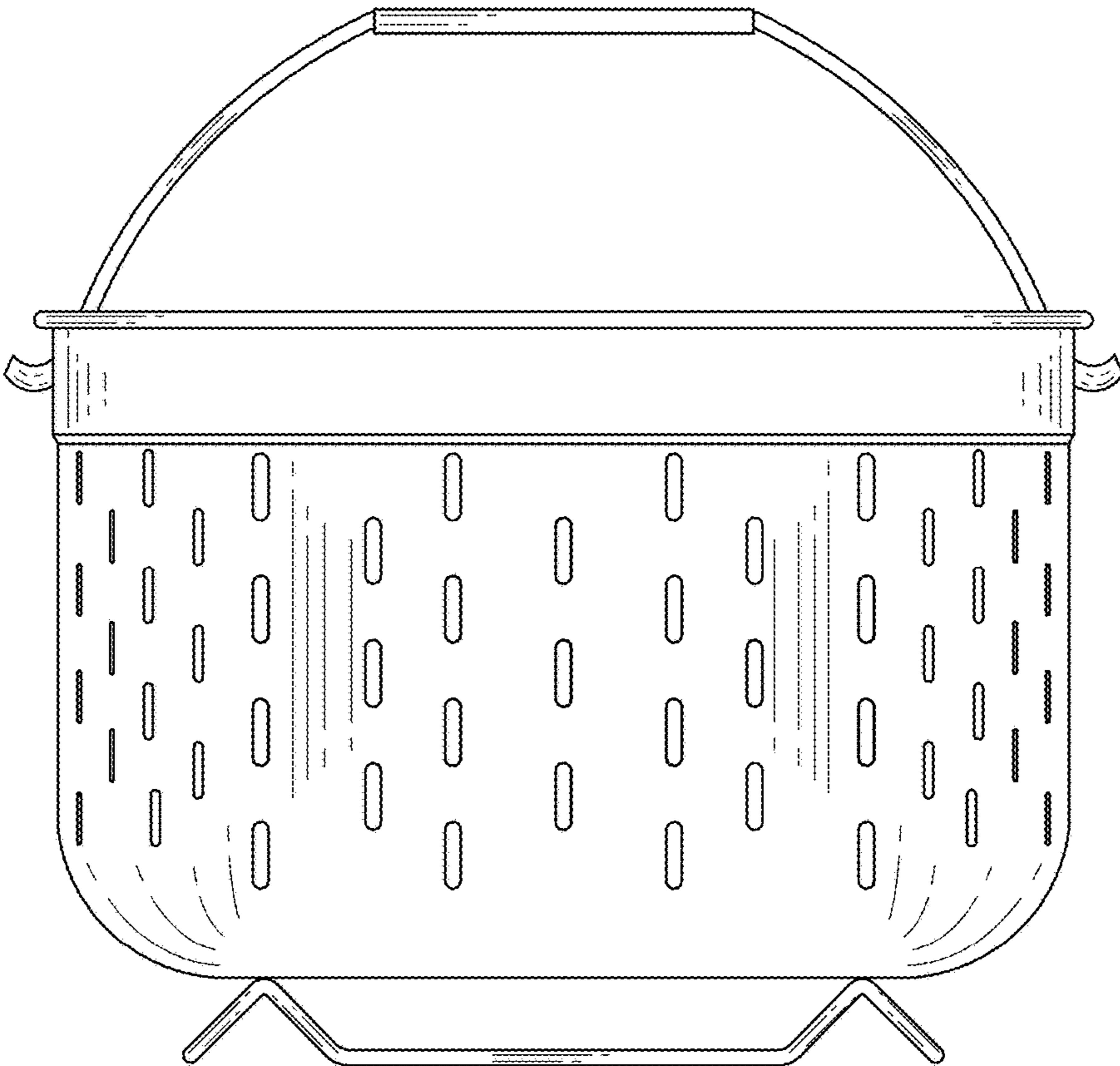


FIG. 2

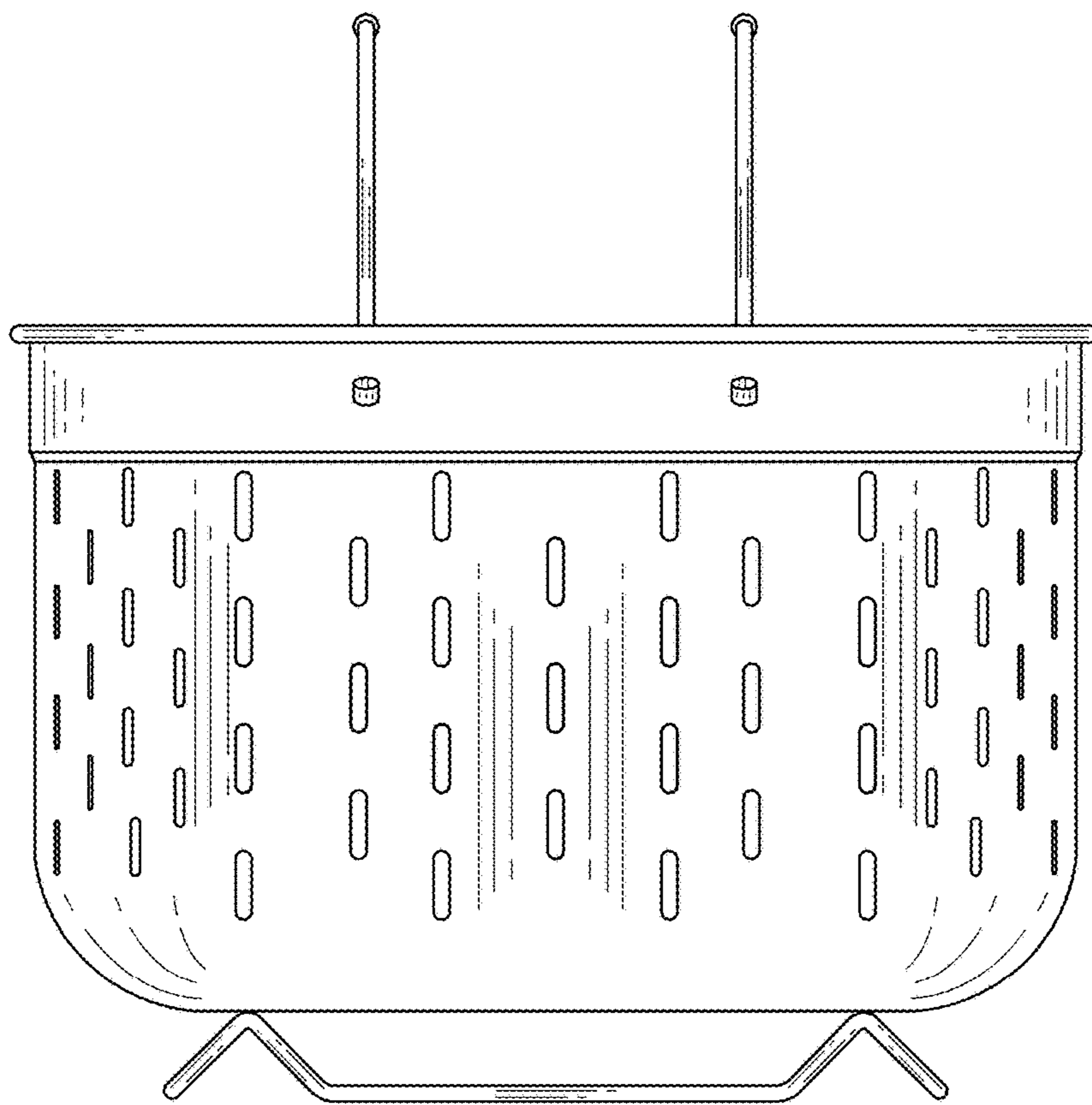


FIG. 3

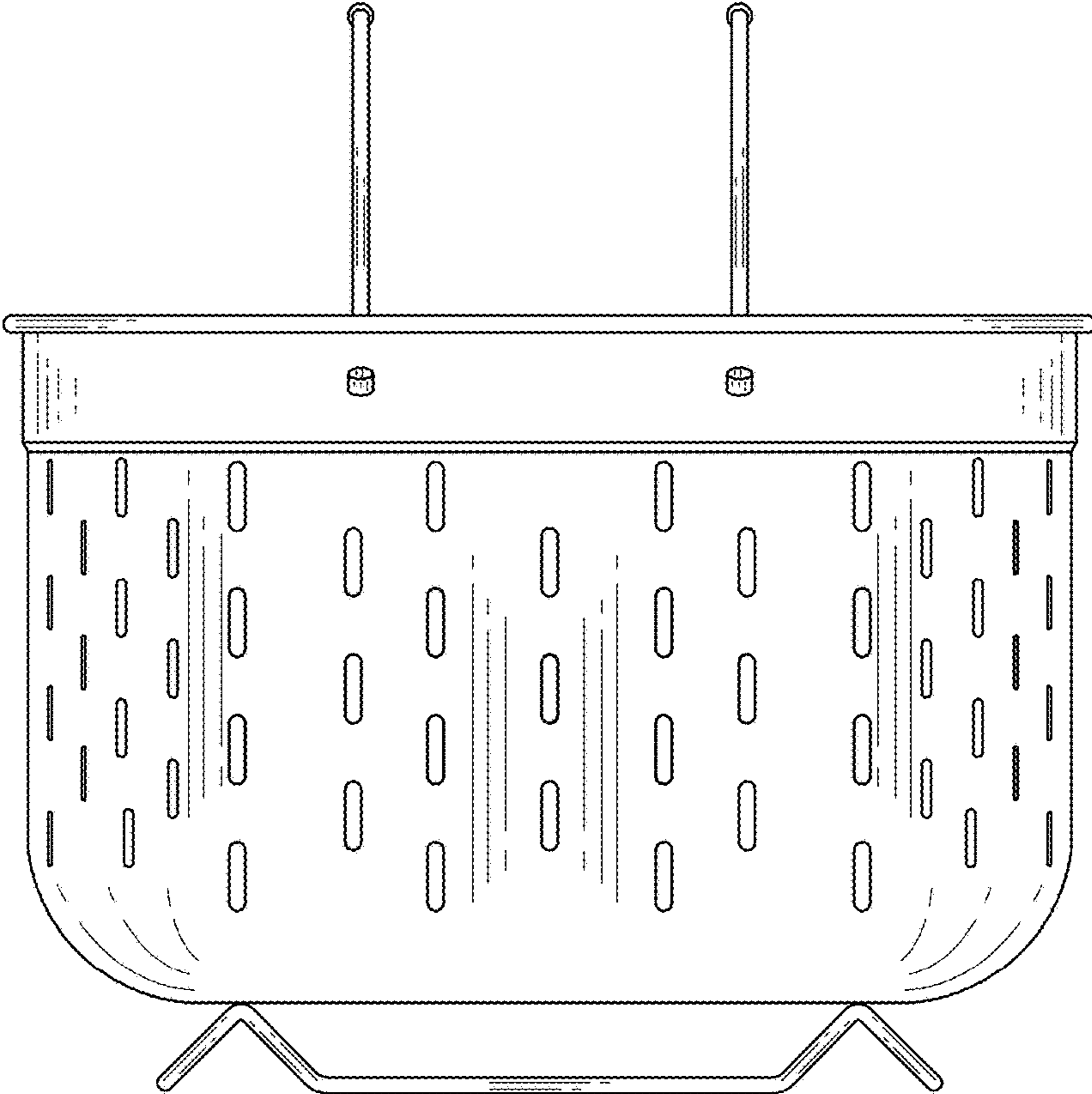


FIG. 4

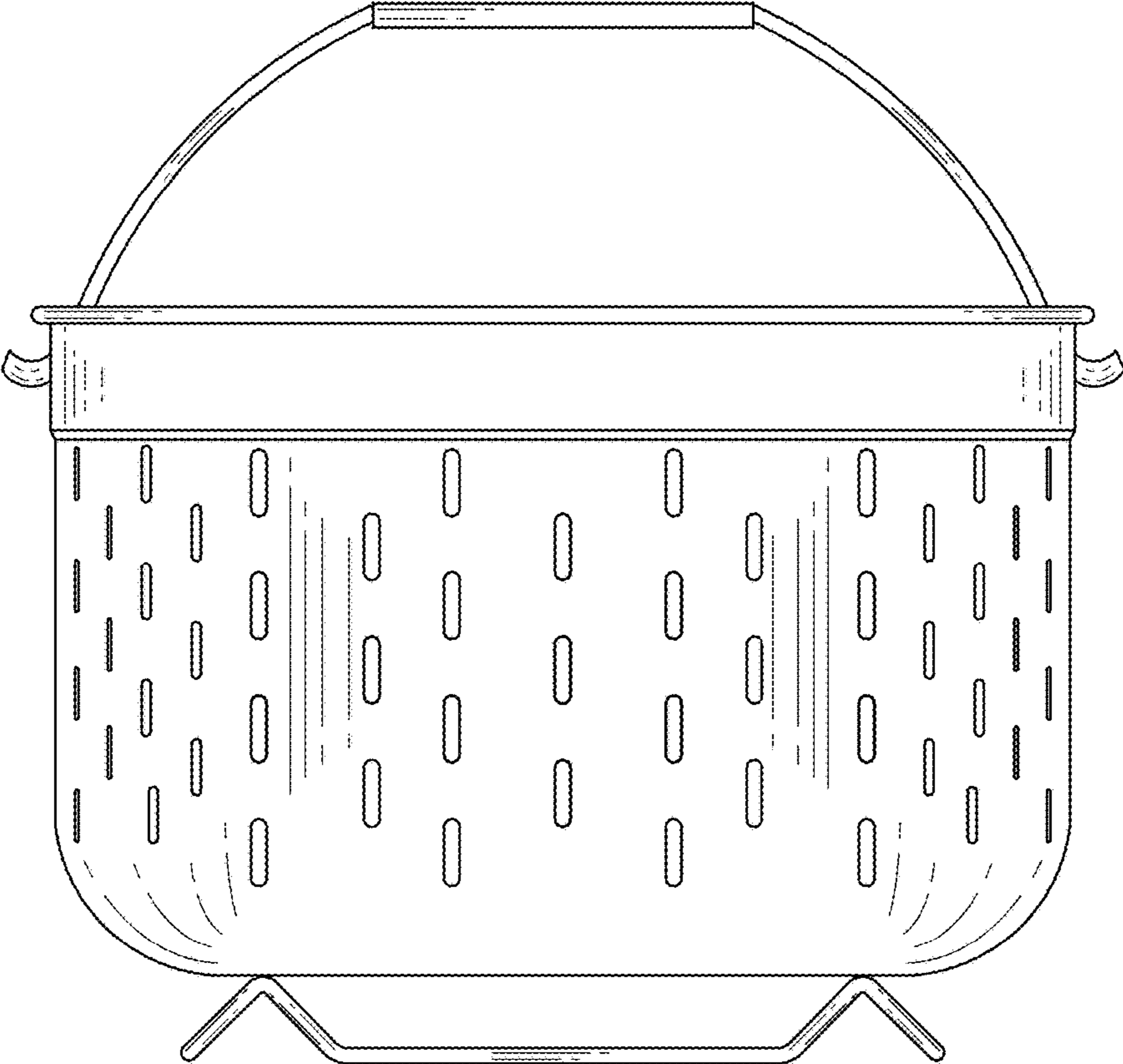


FIG. 5

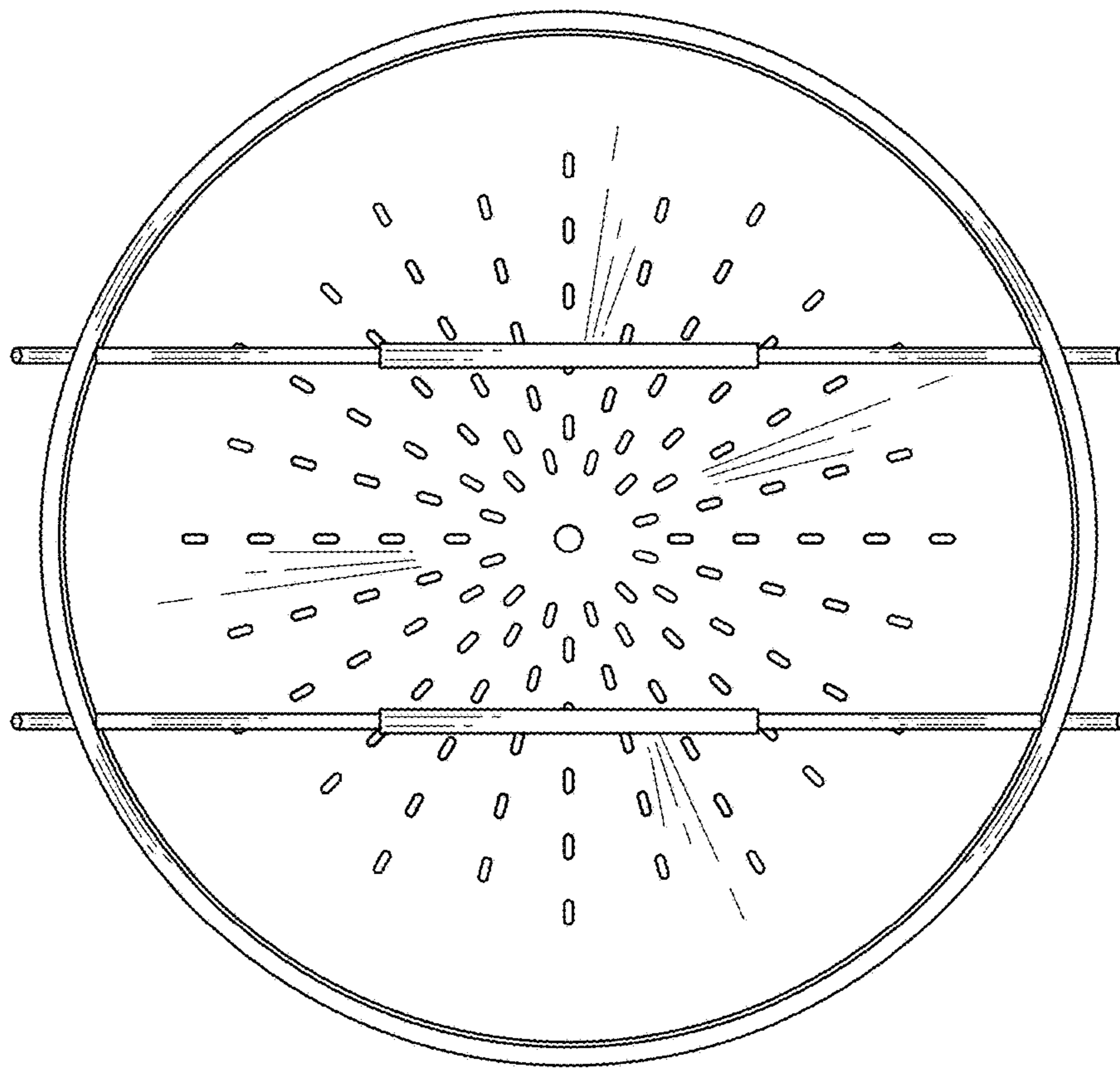


FIG. 6

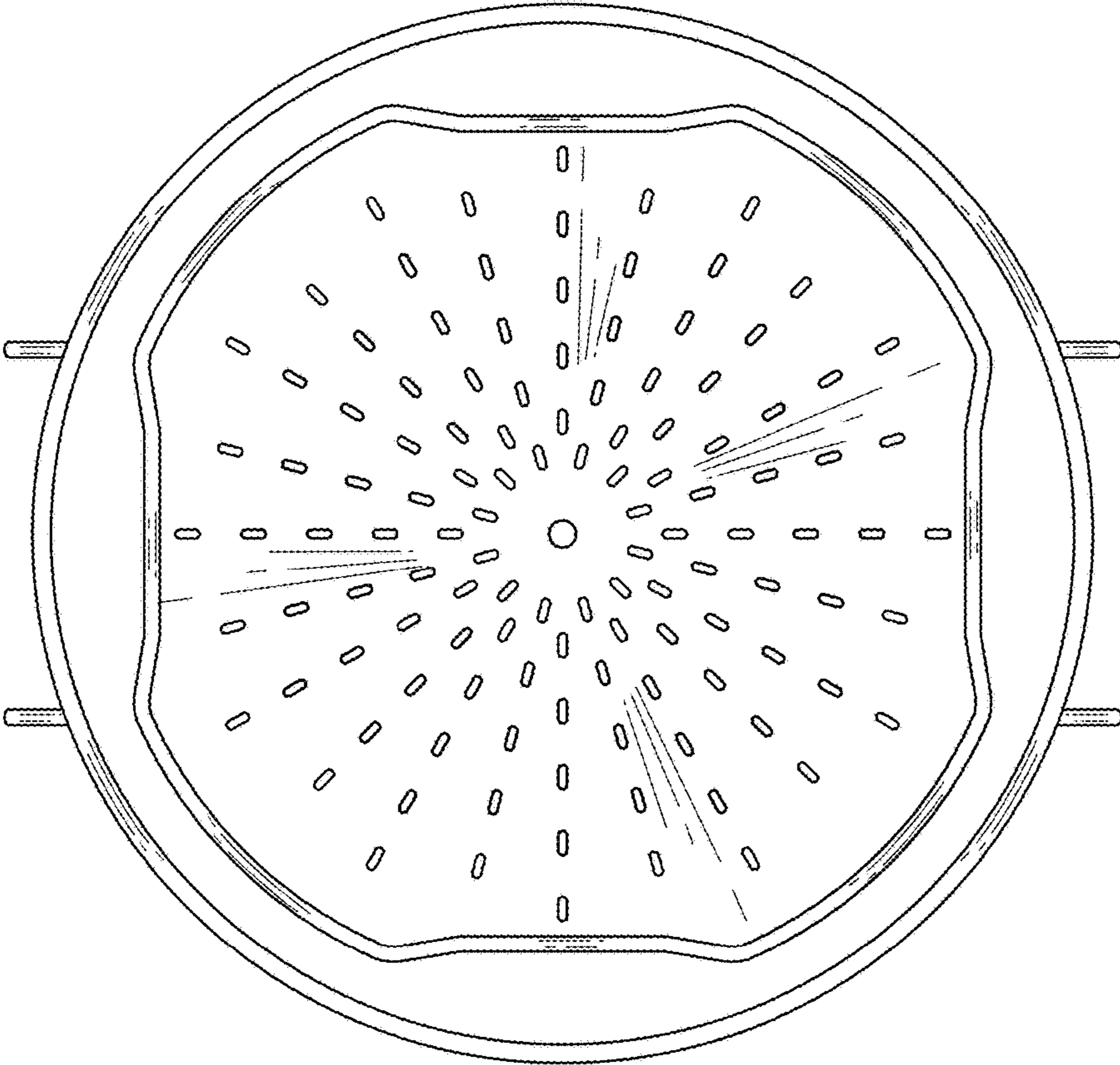


FIG. 7