



US00D869901S

(12) **United States Design Patent**
Huang

(10) **Patent No.:** **US D869,901 S**

(45) **Date of Patent:** **** Dec. 17, 2019**

(54) **TEA INFUSER**

(71) Applicant: **SZELITES TECHNOLOGY CO LTD**, San Francisco, CA (US)

(72) Inventor: **Jiaqi Huang**, Shenzhen (CN)

(73) Assignee: **SZELITES TECHNOLOGY CO LTD**, San Francisco, CA (US)

(**) Term: **15 Years**

(21) Appl. No.: **29/702,502**

(22) Filed: **Aug. 20, 2019**

(51) **LOC (12) Cl.** **07-99**

(52) **U.S. Cl.**
USPC **D7/400; D7/667**

(58) **Field of Classification Search**
USPC D7/400, 399, 667
CPC A47J 31/0689; A47J 31/0615; A47G 19/16
See application file for complete search history.

(56) **References Cited**

U.S. PATENT DOCUMENTS

D3,792 S *	12/1869	Bull	D7/400
D330,992 S *	11/1992	Kleek	D7/399
5,738,786 A *	4/1998	Winnington-Ingram	A47G 19/16
				206/5
D404,609 S *	1/1999	Miller	D7/400
D563,161 S	3/2008	Bodum		
D575,105 S	8/2008	Gauss		
D694,579 S *	12/2013	Khubani	D7/400
D717,594 S *	11/2014	Taketani	D7/399
D729,005 S	5/2015	Lee et al.		

D741,647 S	10/2015	Boczkowski		
9,169,060 B2 *	10/2015	Tremblay	B65D 85/8043
D771,435 S *	11/2016	Cutuli	D7/400
D791,535 S *	7/2017	Yeh	D7/400
D845,704 S	4/2019	Xu		
D860,724 S *	9/2019	Kassin	D7/400
2012/0012008 A1 *	1/2012	Kwok	A47J 31/0615
				99/297
2016/0135638 A1 *	5/2016	Parazynski	A23F 3/18
				426/435
2016/0296062 A1 *	10/2016	Gross	A47J 31/0615
2017/0172339 A1 *	6/2017	De Loynes	A47J 31/0626
2018/0242775 A1 *	8/2018	Lin	A47J 31/0615

* cited by examiner

Primary Examiner — Marianne N Pandozzi

(74) *Attorney, Agent, or Firm* — ScienBiziP, P.C.

(57) **CLAIM**

The ornamental design for a tea infuser, as shown and described.

DESCRIPTION

FIG. 1 is a perspective view of a tea infuser, showing my design.

FIG. 2 is a second perspective view thereof.

FIG. 3 is a front elevation view thereof.

FIG. 4 is a rear elevation view thereof.

FIG. 5 is a left side elevation view thereof.

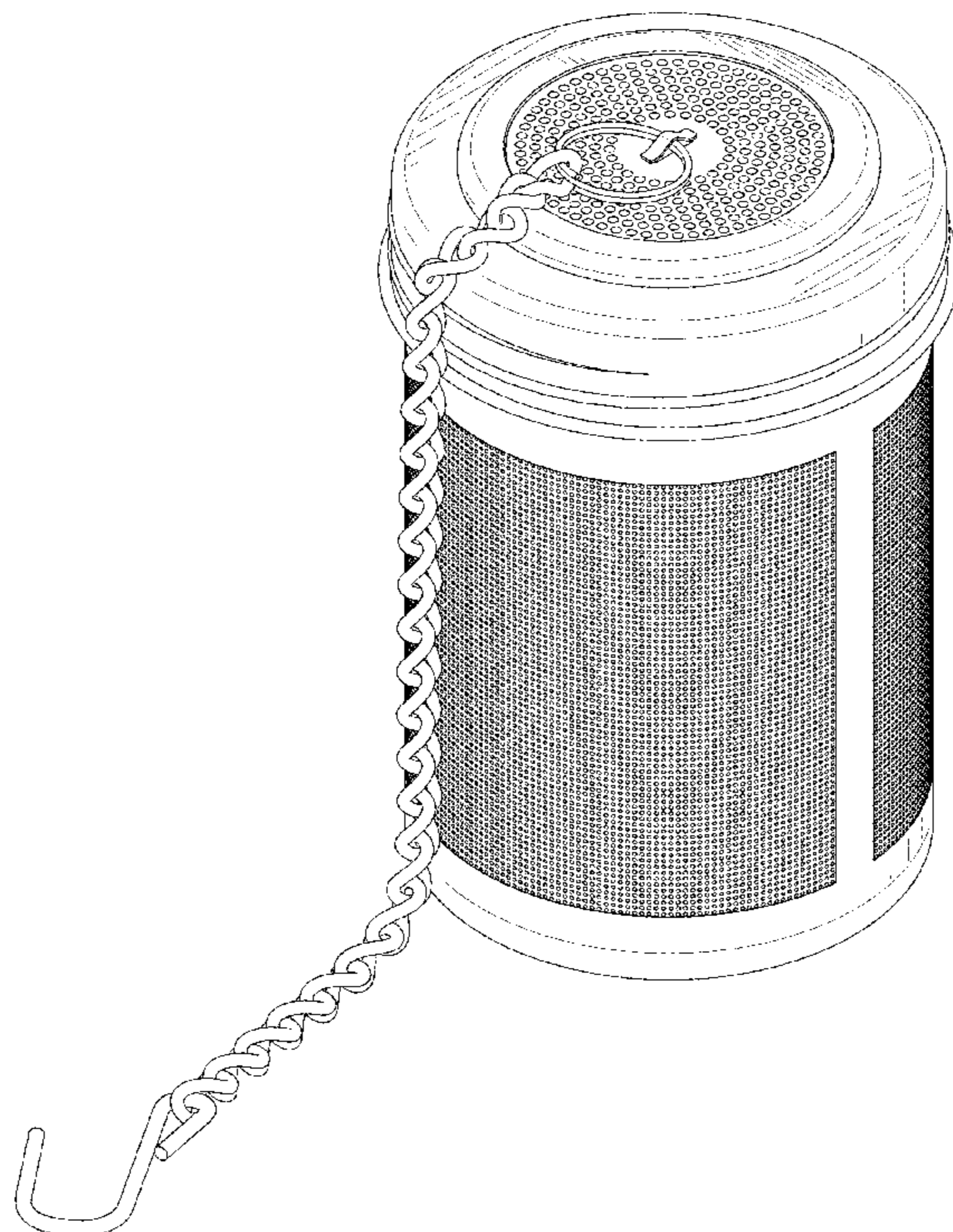
FIG. 6 is a right side elevation view thereof.

FIG. 7 is a top plan view thereof.

FIG. 8 is a bottom plan view thereof; and,

FIG. 9 is a cross-sectional view taken along line 9-9 of FIG. 4.

1 Claim, 9 Drawing Sheets



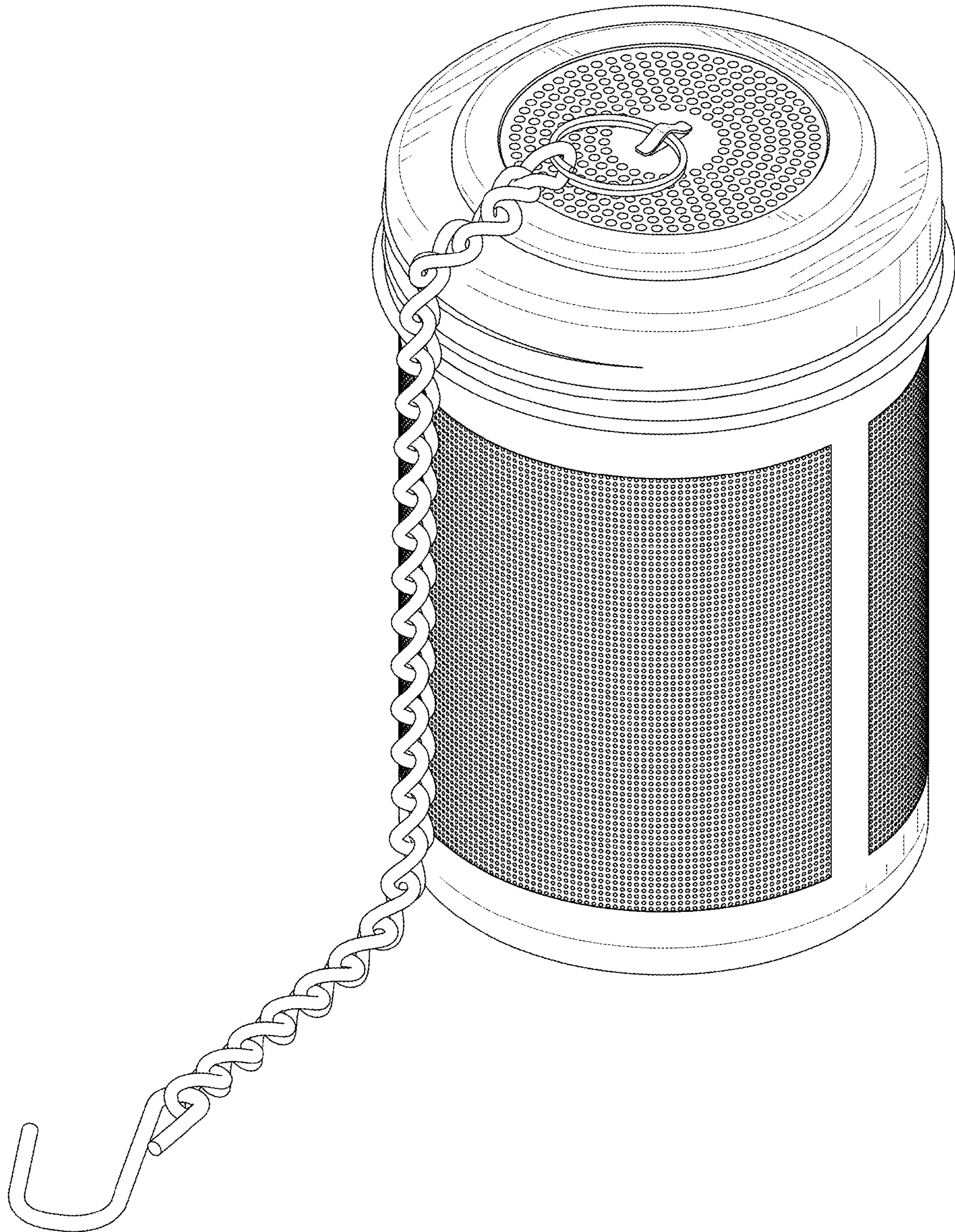


FIG. 1

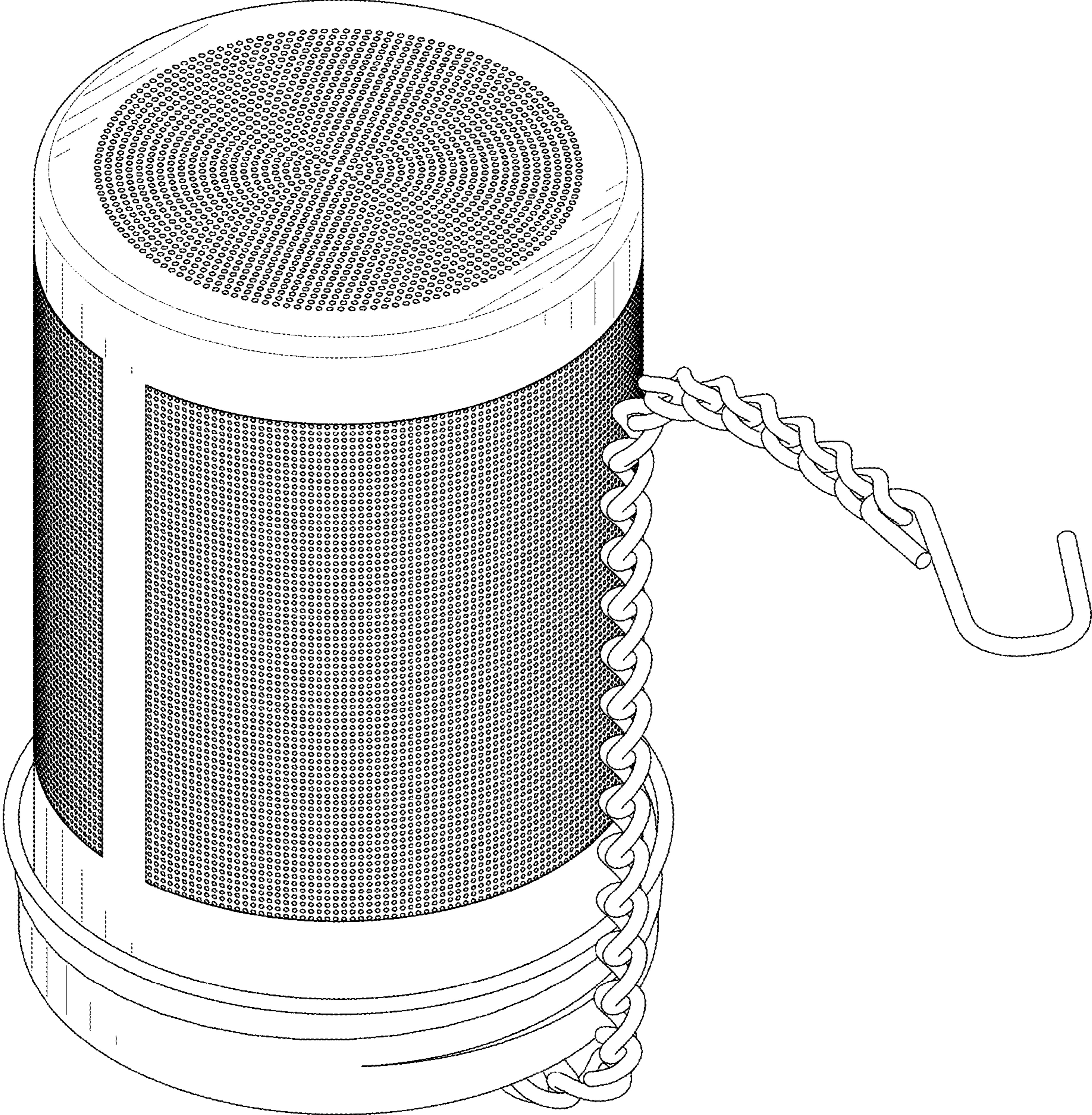


FIG. 2

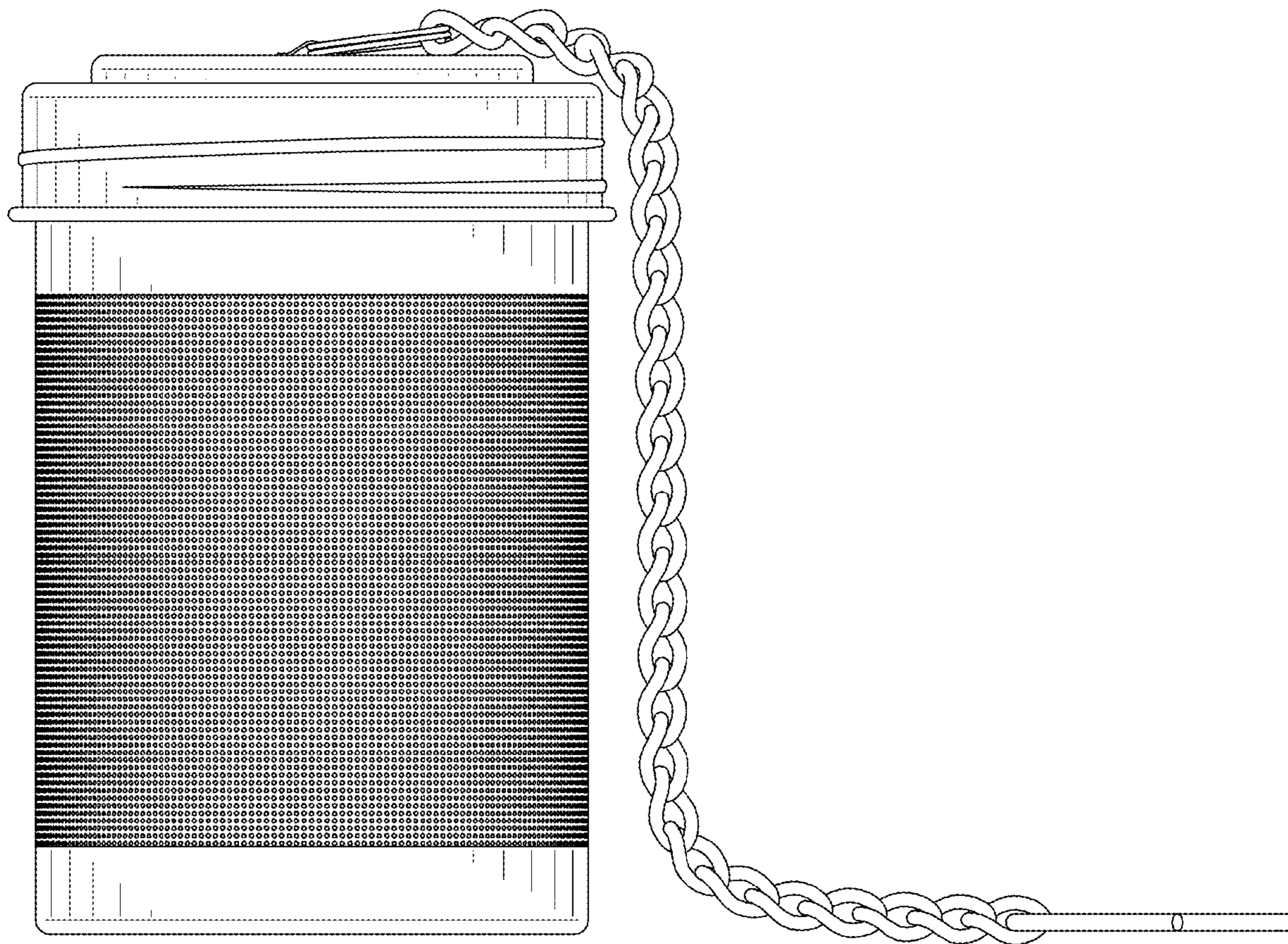


FIG. 3

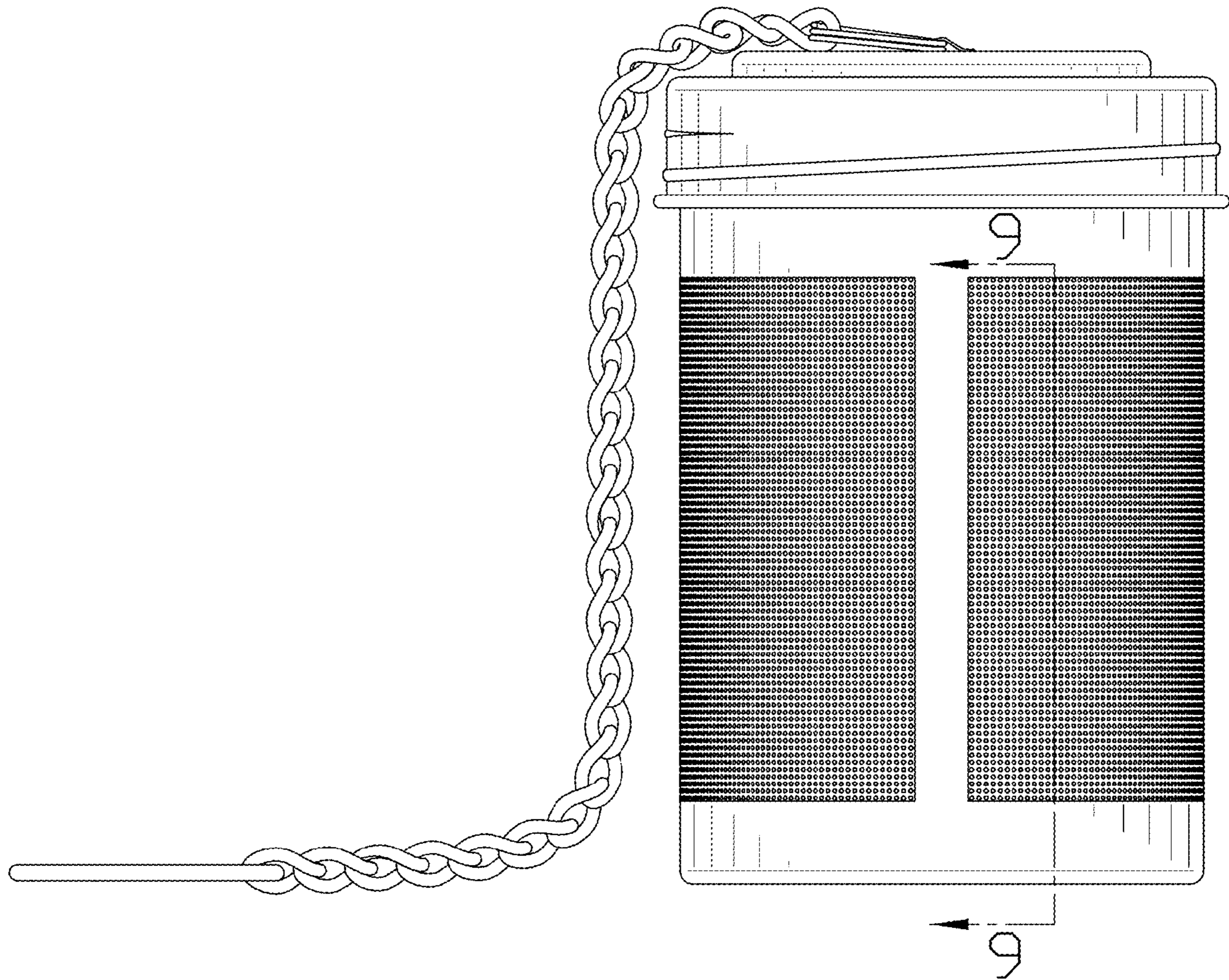


FIG. 4

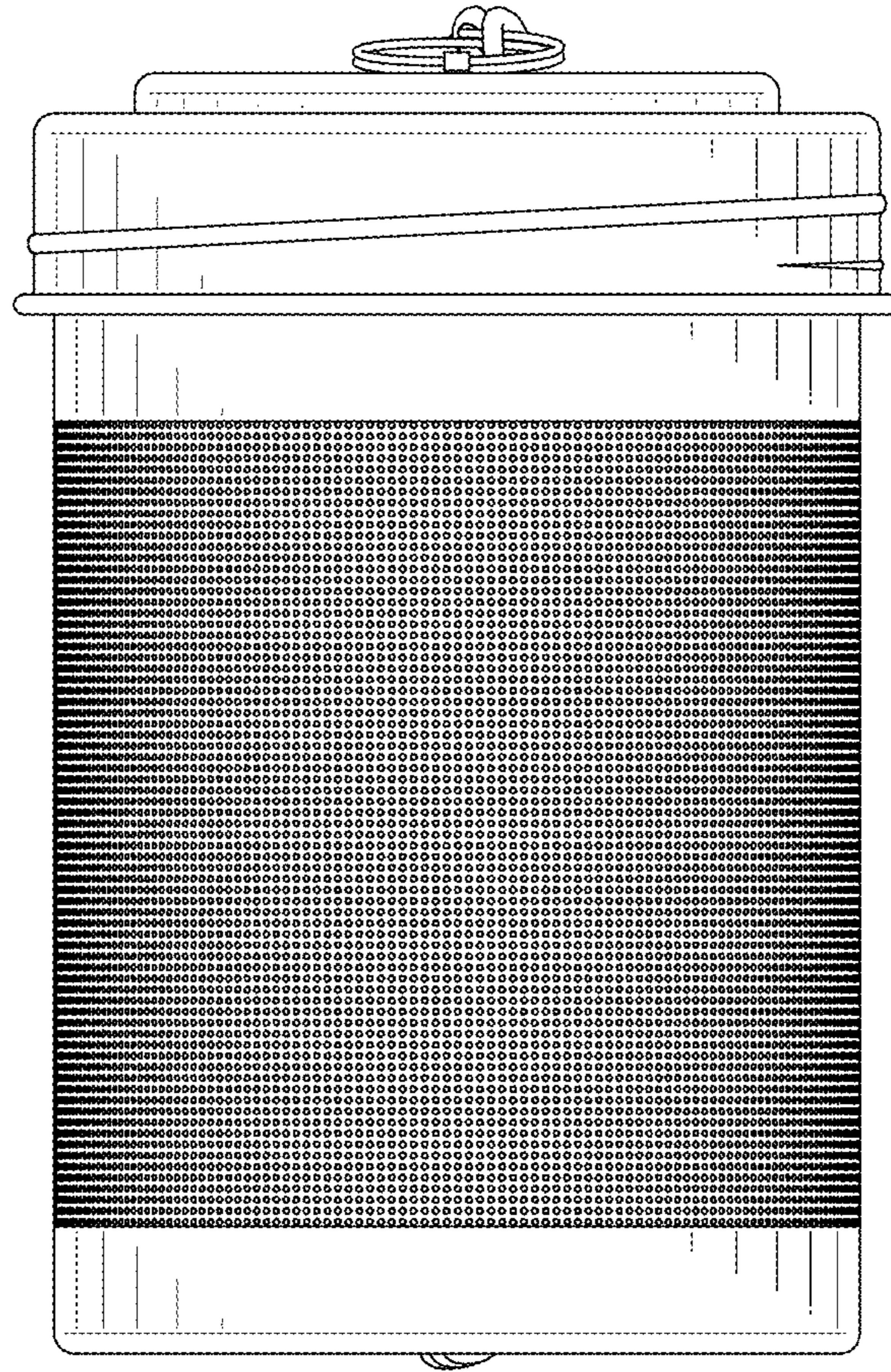


FIG. 5

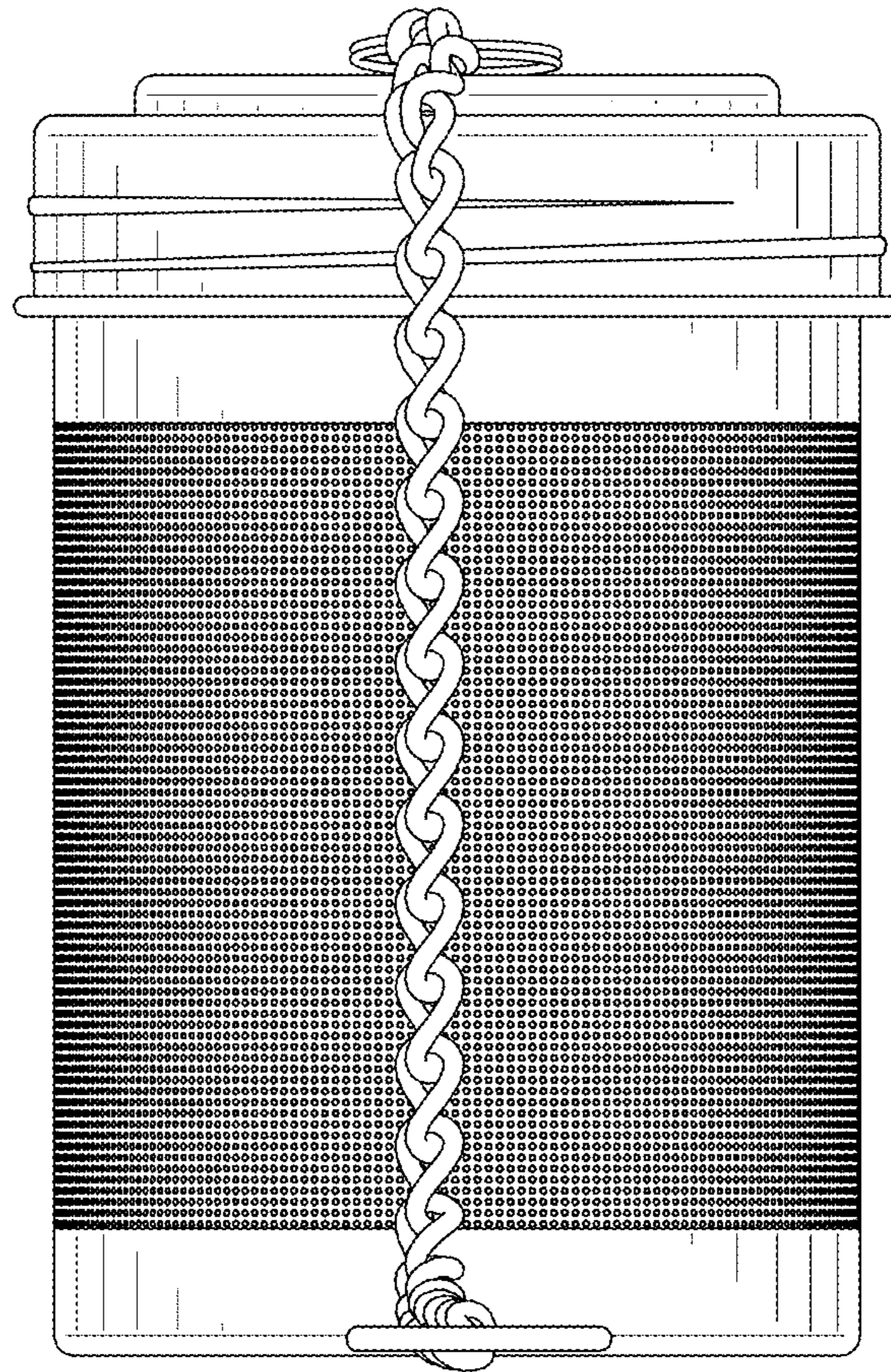


FIG. 6

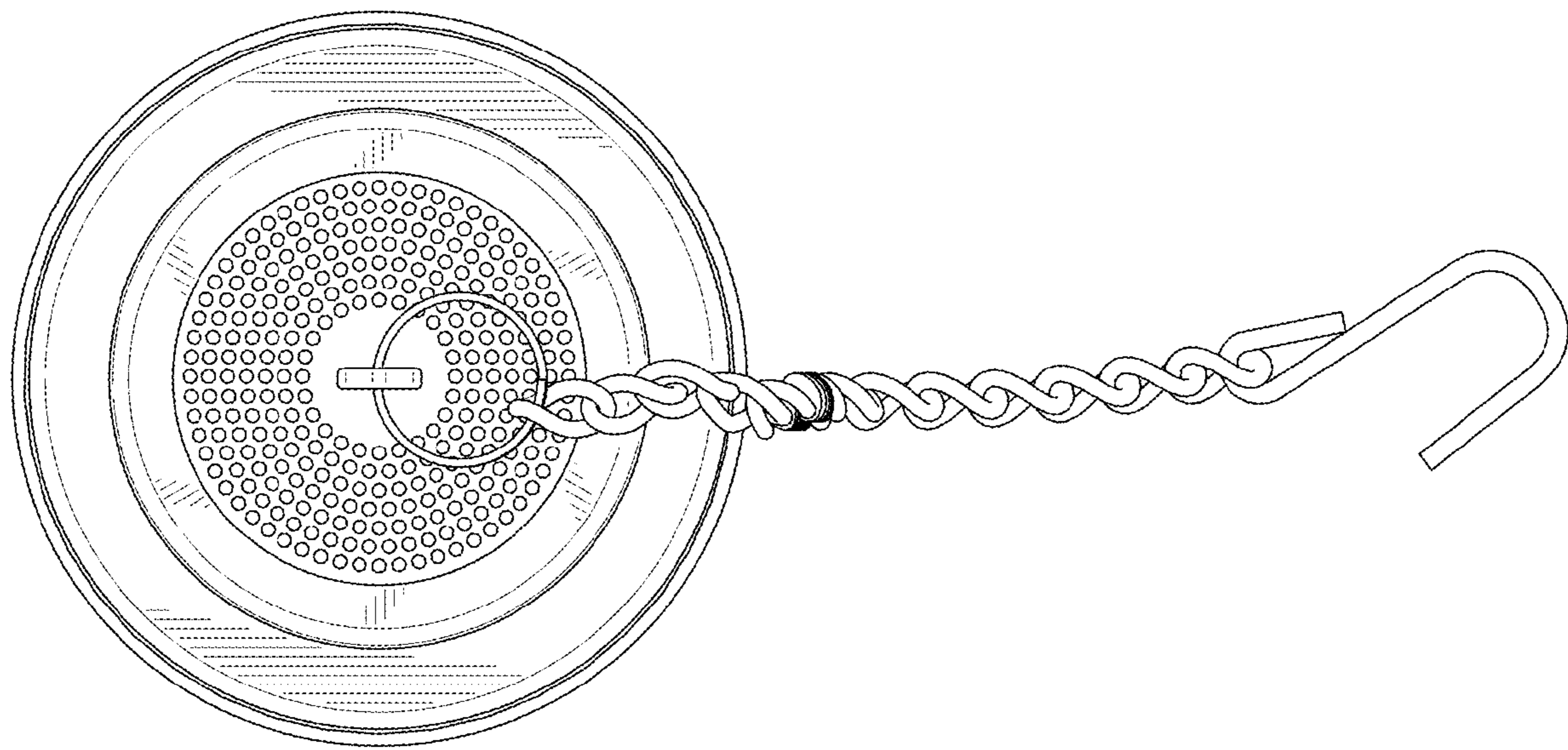


FIG. 7

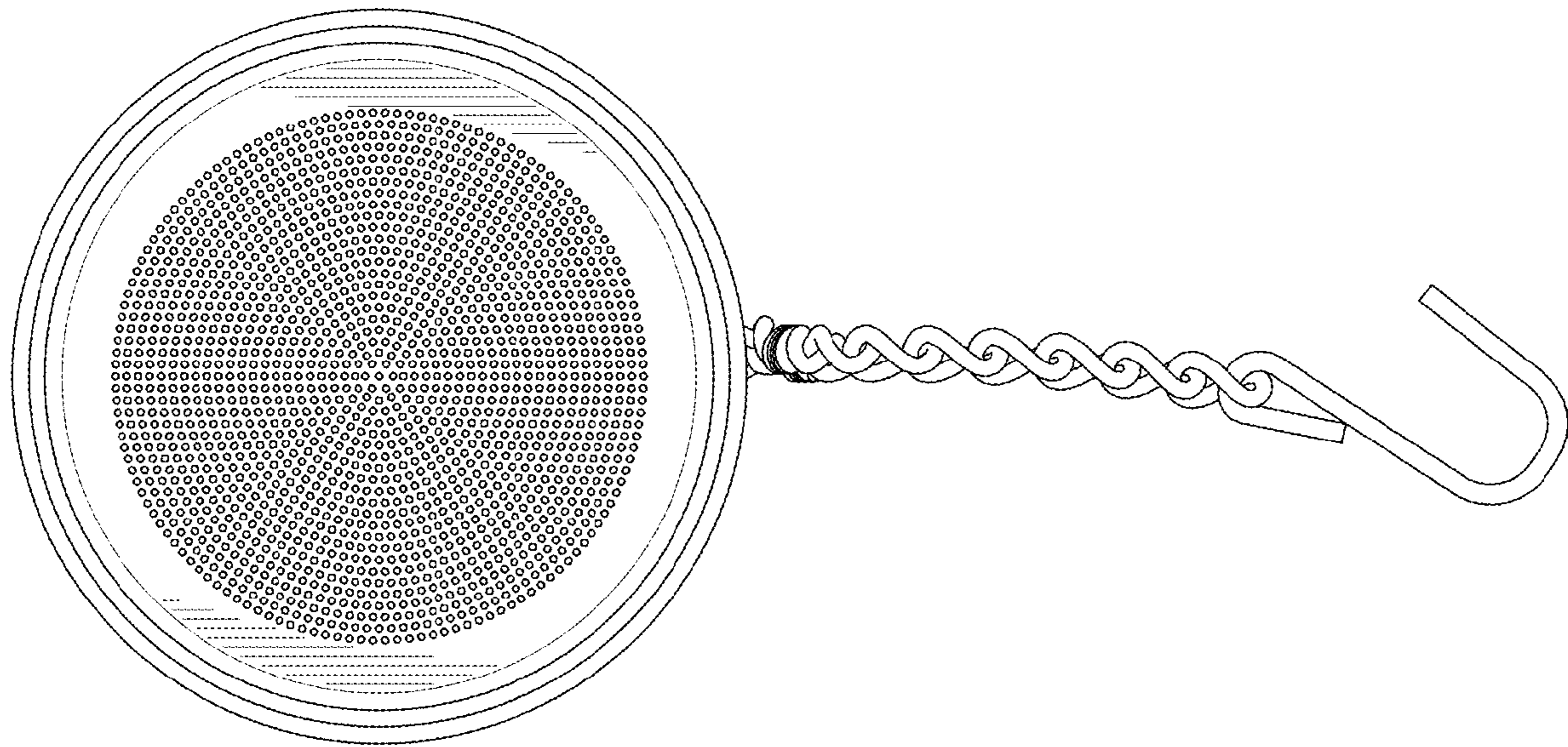


FIG. 8

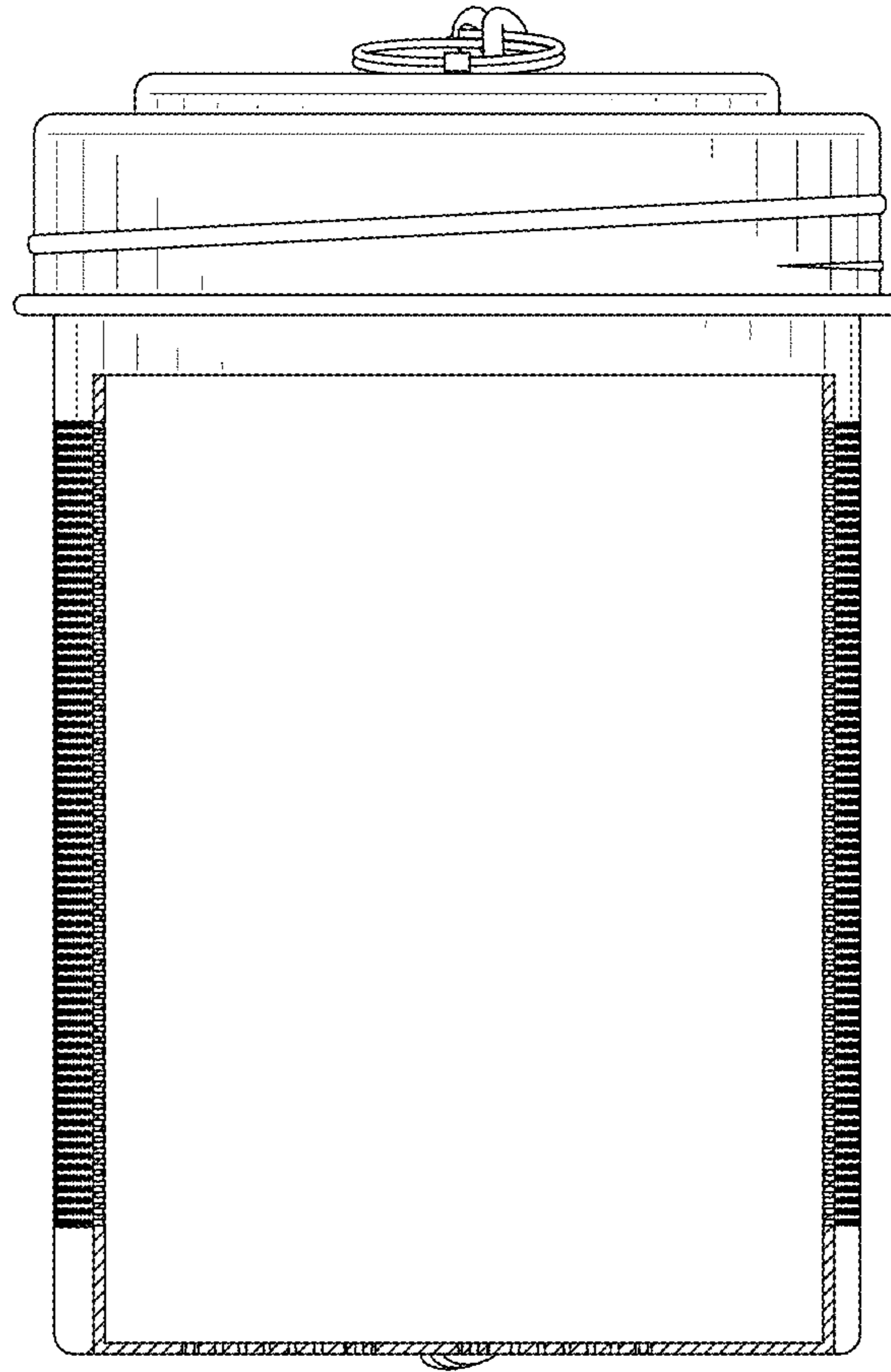


FIG. 9