



US00D869900S

(12) **United States Design Patent**
Koury et al.

(10) **Patent No.:** **US D869,900 S**

(45) **Date of Patent:** **** Dec. 17, 2019**

(54) **BEVERAGE MACHINE**

(71) Applicant: **Keurig Green Mountain, Inc.**,
Burlington, MA (US)

(72) Inventors: **Steffen F. Koury**, Nahant, MA (US);
Paul K. Metaxatos, Swampscott, MA
(US); **James T. McGee**, Winthrop, MA
(US); **Brendan B. Crawford**, Boston,
MA (US); **Benjamin Worth Coble**,
Cambridge, MA (US); **Wayne Boucher**,
Manchester, NH (US); **Joseph James
George**, Amherst, NH (US)

(73) Assignee: **Keurig Green Mountain, Inc.**,
Burlington, MA (US)

(**) Term: **15 Years**

(21) Appl. No.: **29/640,859**

(22) Filed: **Mar. 16, 2018**

(51) **LOC (12) Cl.** **07-01**

(52) **U.S. Cl.**
USPC **D7/397**; D7/311; D7/306; D7/399

(58) **Field of Classification Search**
USPC D7/305–311, 313, 397, 399; D15/82;
222/129.1, 146.6; 99/295; D20/1, 4;
D14/307
CPC A47J 31/44; A47J 31/4403; A47J 31/46;
B67D 1/36; B67D 2210/0065; B67D
1/0864; A23C 9/122
See application file for complete search history.

(56) **References Cited**

U.S. PATENT DOCUMENTS

D408,679 S * 4/1999 Potts D7/306
D513,572 S * 1/2006 Schaffeld D7/309
D667,252 S * 9/2012 Rousselin D7/309
D727,084 S * 4/2015 Dorr D7/309

D756,157 S * 5/2016 Murphy D7/306
D756,696 S * 5/2016 Murphy D7/306
D760,008 S * 6/2016 Moon D7/306
D769,662 S * 10/2016 Palermo D7/306
D771,992 S * 11/2016 Yang D7/306
D785,392 S * 5/2017 Palermo D7/306
D796,885 S * 9/2017 Wang D7/306
D803,611 S * 11/2017 Hanneson D7/306
D812,971 S * 3/2018 Moon D7/397
D823,035 S * 7/2018 Ricica D7/309
D823,040 S * 7/2018 Bock D7/309
D840,733 S * 2/2019 Hale D7/306
D853,167 S * 7/2019 Koury D7/306

(Continued)

OTHER PUBLICATIONS

[No Author Listed] Image of Breville BKC600XCL, publicly avail-
able prior to Mar. 16, 2018, 1 page.

(Continued)

Primary Examiner — Marianne N Pandozzi

(74) *Attorney, Agent, or Firm* — Wolf, Greenfield &
Sacks, P.C.

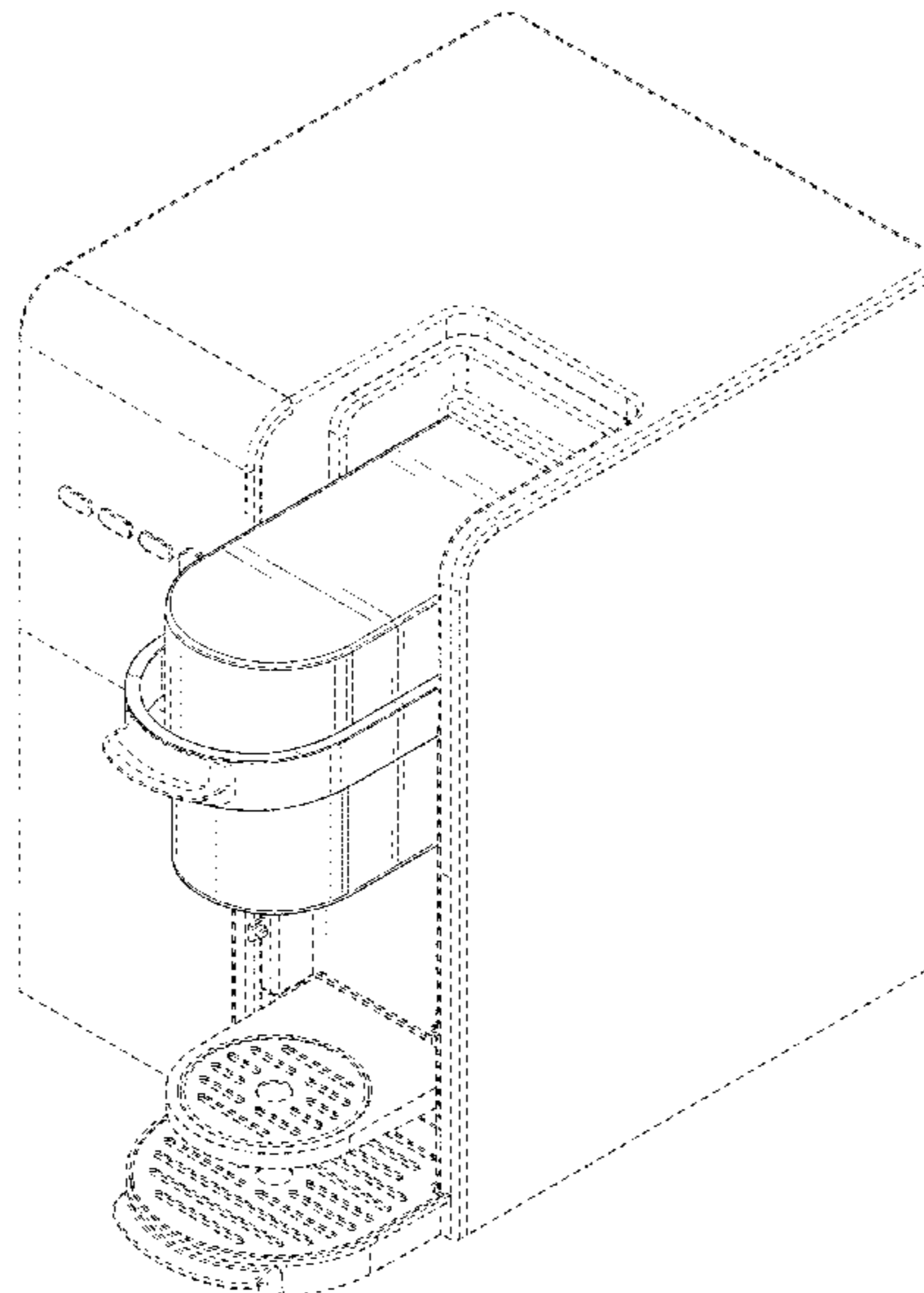
(57) **CLAIM**

The ornamental design for a beverage machine, as shown
and described.

DESCRIPTION

FIG. 1 is a top, front, right side perspective view of a
beverage machine showing our new design;
FIG. 2 is a front elevation view thereof;
FIG. 3 is a rear elevation view thereof;
FIG. 4 is a left side elevation view thereof;
FIG. 5 is a right side elevation view thereof;
FIG. 6 is a top plan view thereof; and,
FIG. 7 is a bottom plan view thereof.
The broken lines illustrate portions of the beverage machine
that form no part of the claimed design.

1 Claim, 7 Drawing Sheets



(56)

References Cited

U.S. PATENT DOCUMENTS

D854,364 S * 7/2019 Fucci D7/306
D854,365 S * 7/2019 Hines D7/306

OTHER PUBLICATIONS

[No Author Listed] Image of Keung VUE 1200, publicly available prior to Mar. 16, 2018, 1 page.

[No Author Listed] Images of SodaStream, publicly available prior to Mar. 16, 2018, 2 pages.

U.S. Appl. No. 29/654,325, filed Jun. 22, 2018, Koury et al.

* cited by examiner

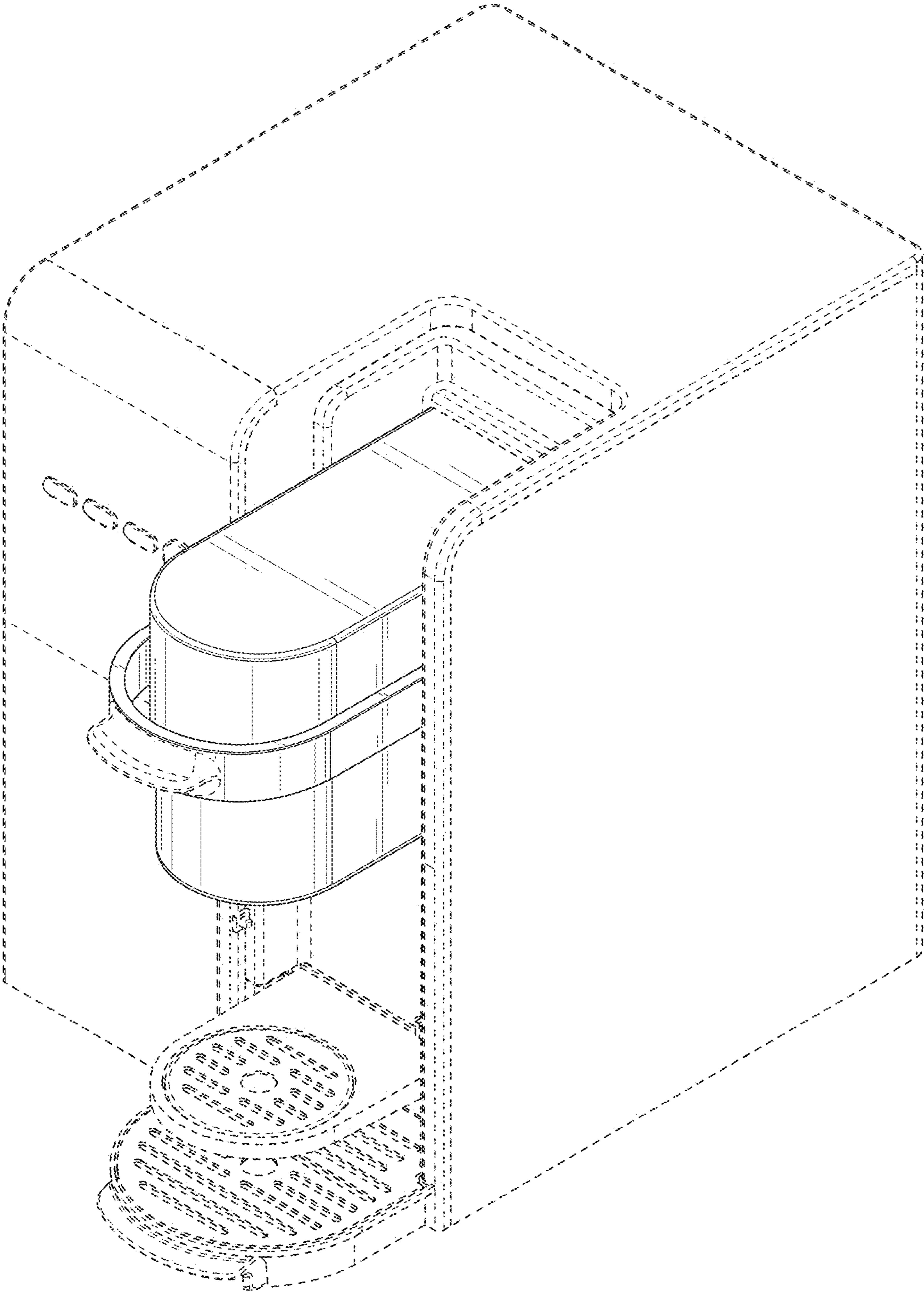


FIG. 1

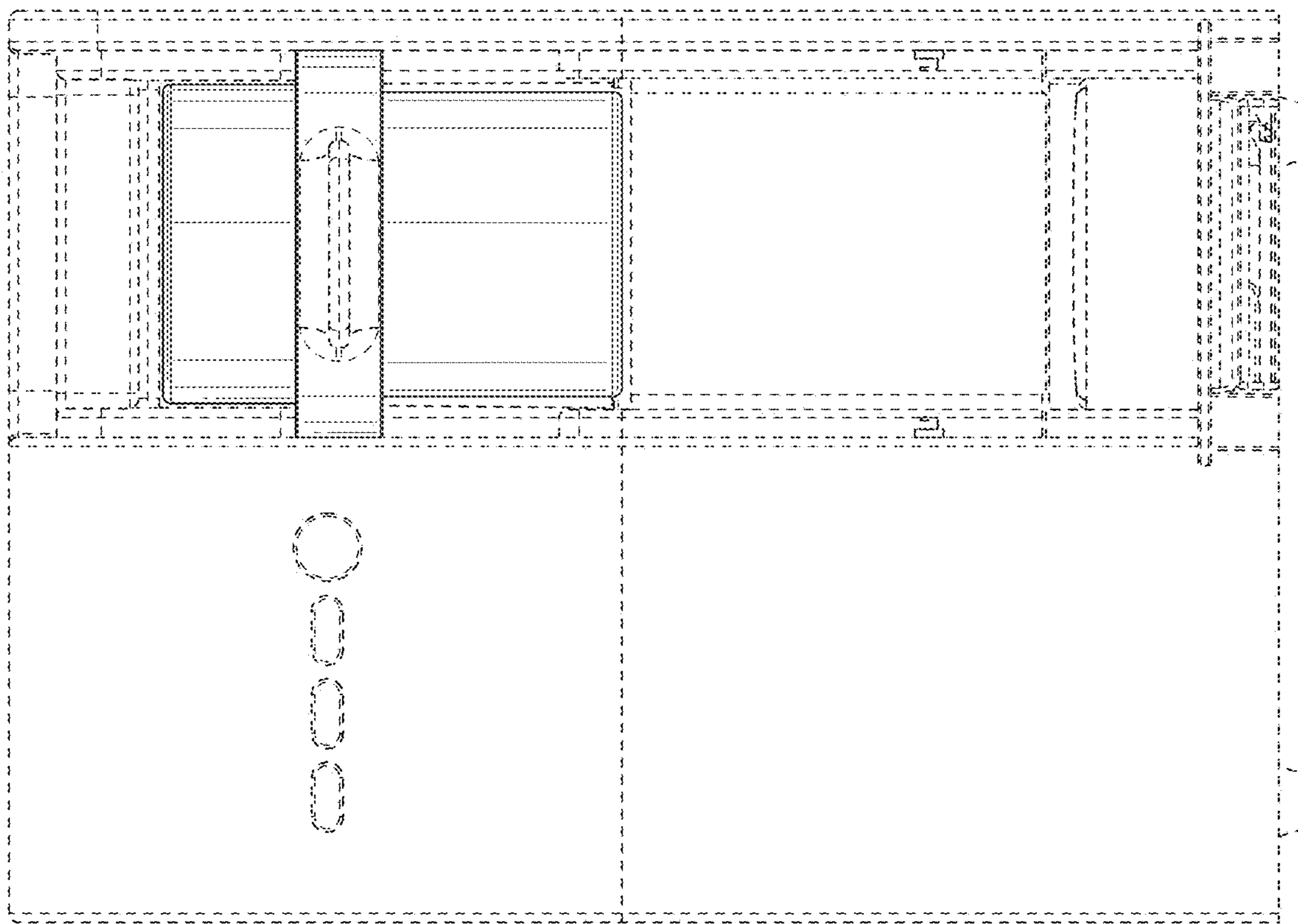


FIG. 2



FIG. 3

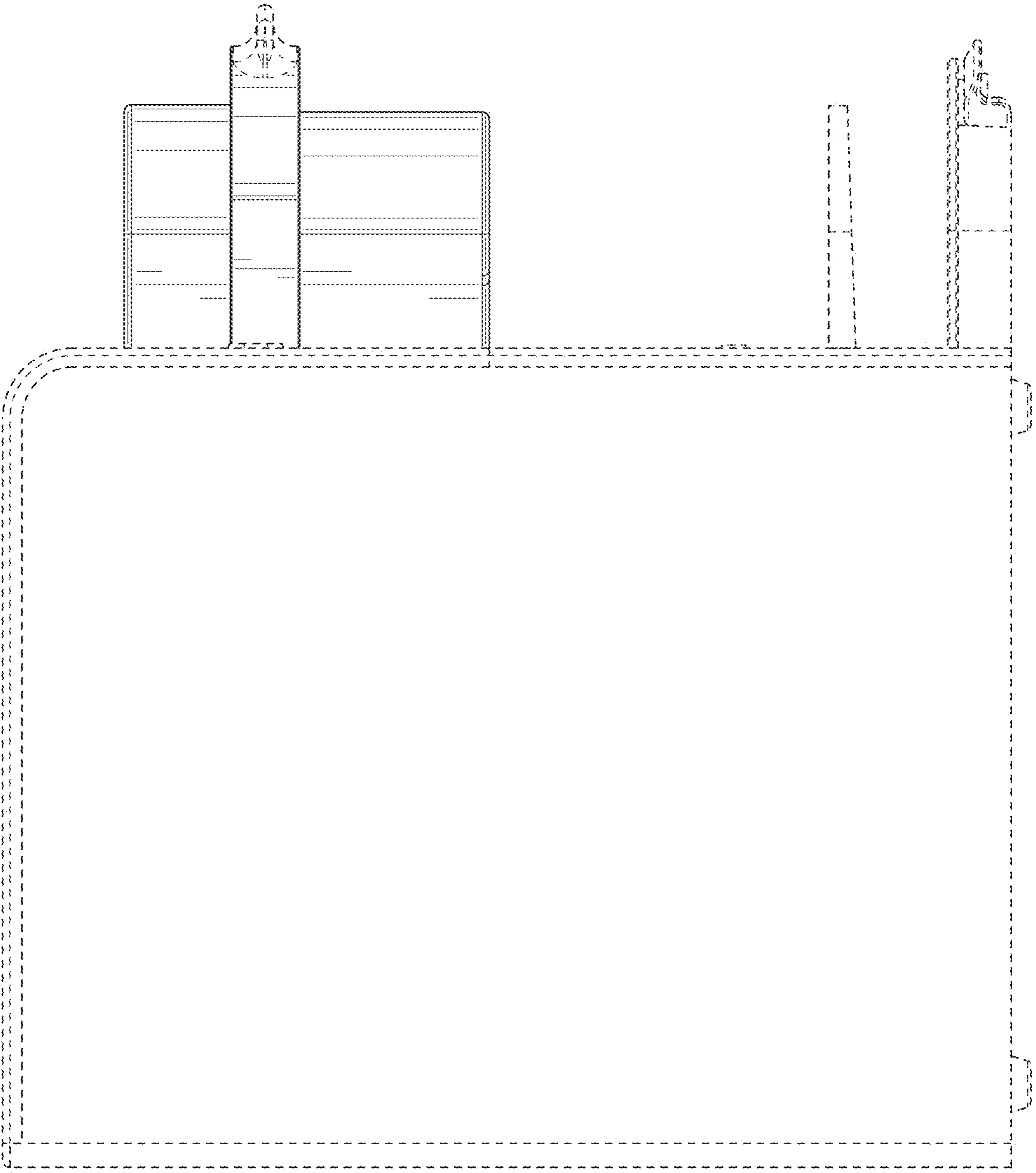


FIG. 4

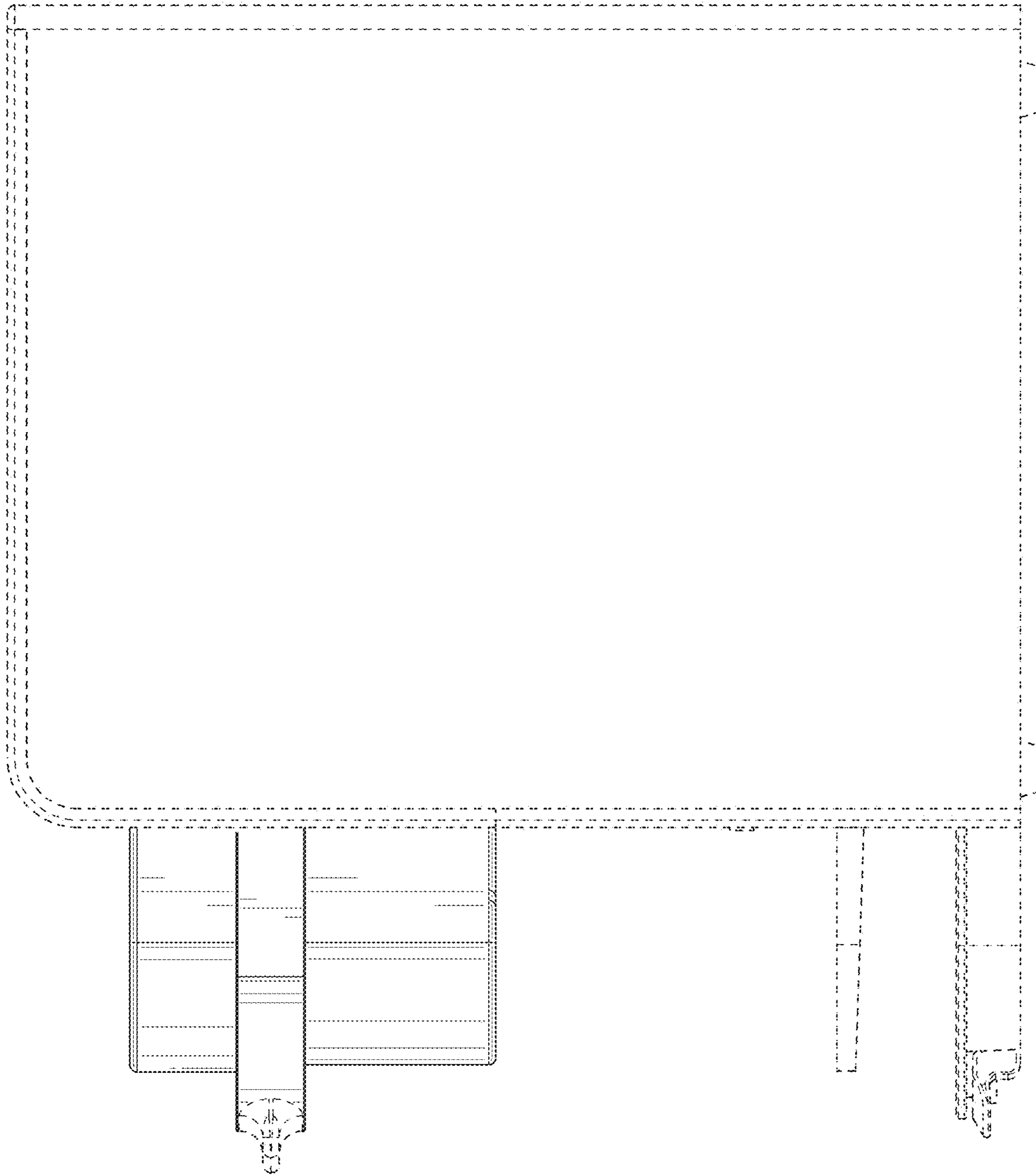


FIG. 5

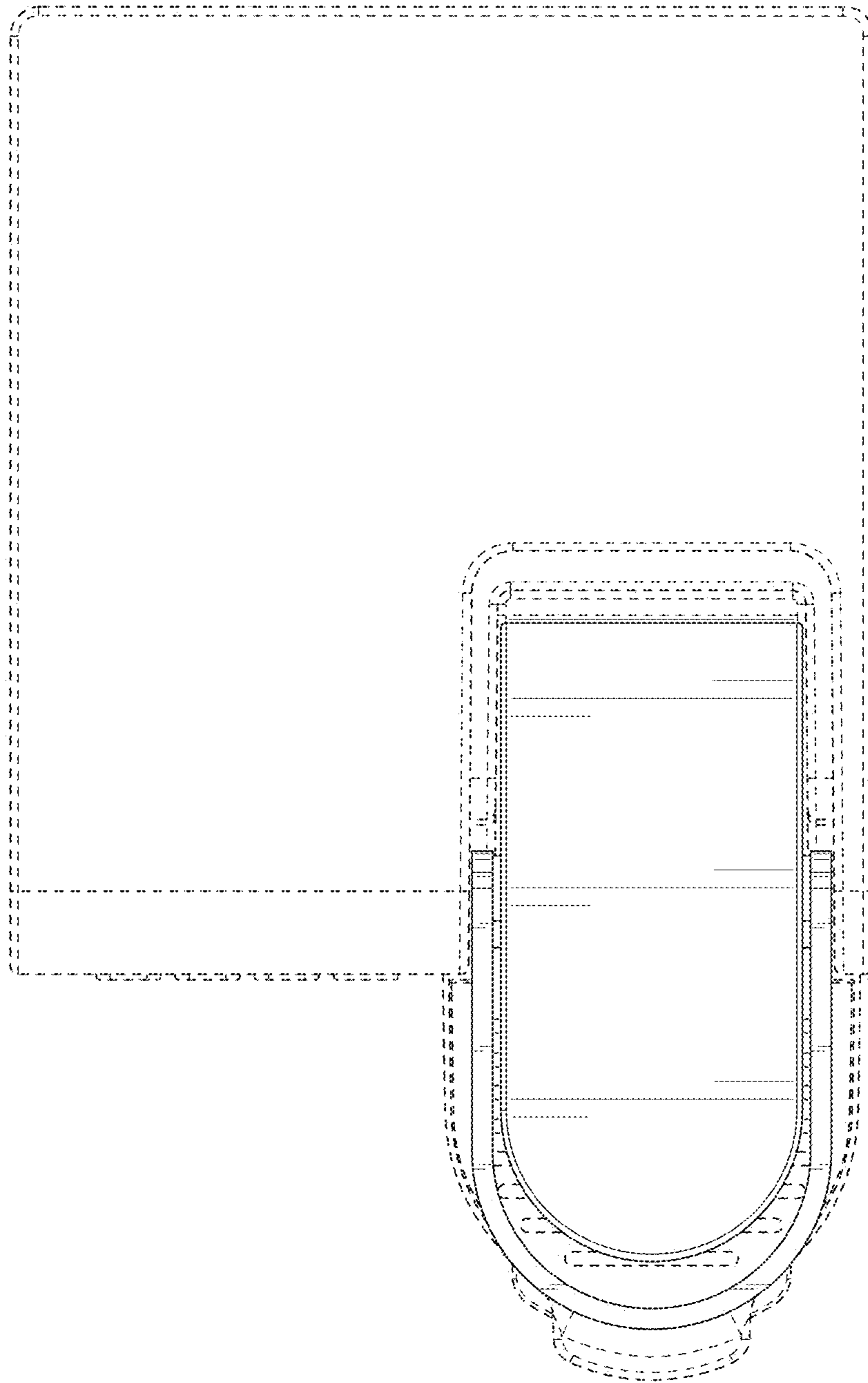


FIG. 6

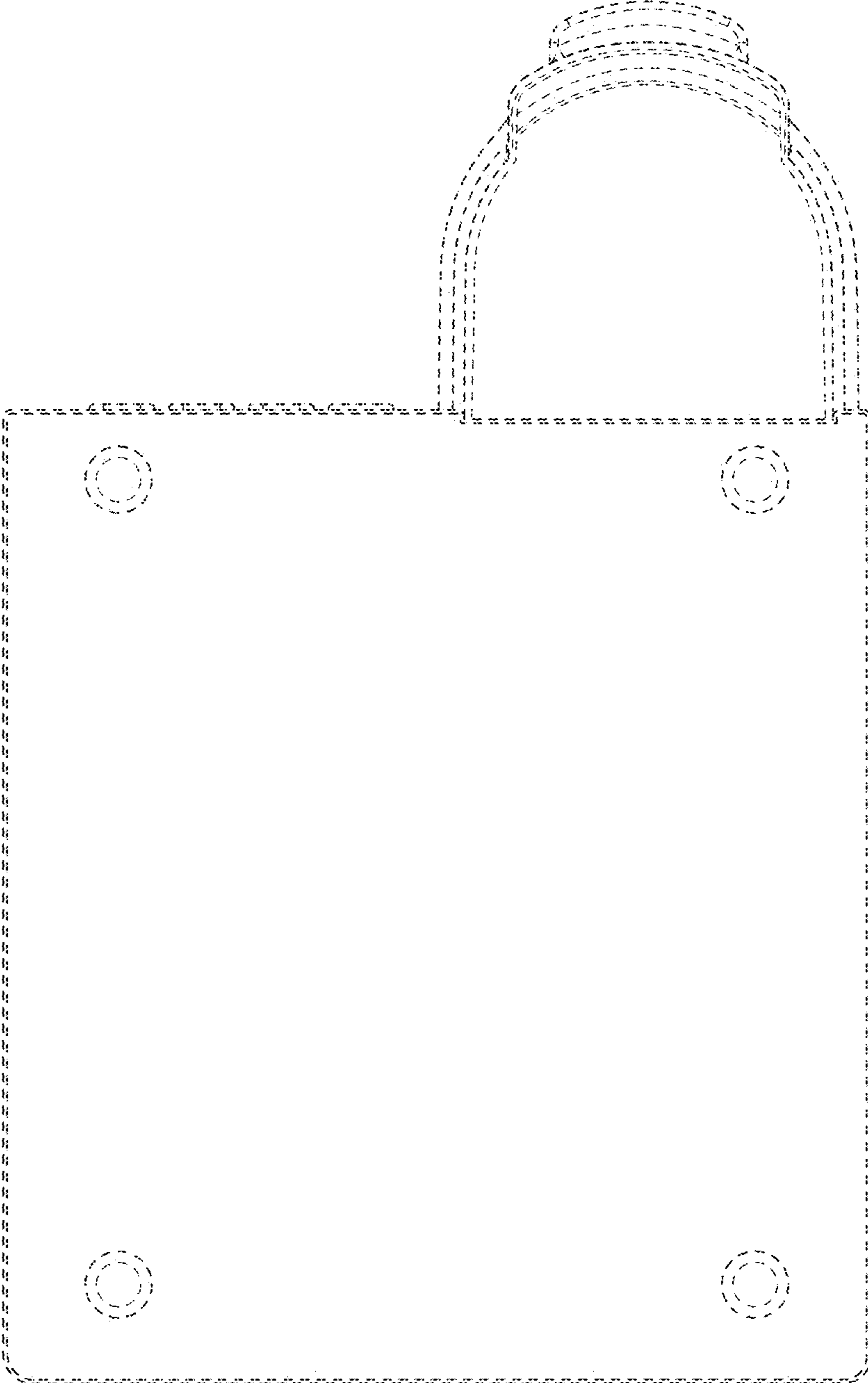


FIG. 7