



US00D869899S

(12) **United States Design Patent** (10) **Patent No.:** **US D869,899 S**
Knittig et al. (45) **Date of Patent:** **** Dec. 17, 2019**

(54) **GRILLING UTENSIL**

- (71) Applicant: **Holton Products LLC**, Fayetteville, AR (US)
- (72) Inventors: **Colton Knittig**, Fayetteville, AR (US); **Israel Holby**, Sharpsburg, GA (US)
- (73) Assignee: **Holton Products LLC**, Fayetteville, AR (US)
- (**) Term: **15 Years**
- (21) Appl. No.: **29/678,373**
- (22) Filed: **Jan. 28, 2019**

Related U.S. Application Data

- (63) Continuation of application No. 14/870,868, filed on Sep. 30, 2015, now Pat. No. 10,188,239, which is a (Continued)
- (51) **LOC (12) Cl.** **07-04**
- (52) **U.S. Cl.**
USPC **D7/395**
- (58) **Field of Classification Search**
USPC D7/680-696, 393, 395; D8/107, 300, D8/307; D4/138
CPC A47J 42/10; A47J 42/283; A47J 43/288; A47J 43/28; A47J 45/10; A47J 45/06; A47J 45/061; A47J 45/62; A47J 45/08; A47J 45/085; A47J 37/0786; B65D 25/2802; B65D 25/2882; B65D 25/2885; B65D 25/2888; B65D 25/2894
See application file for complete search history.

(56) **References Cited**

U.S. PATENT DOCUMENTS

- D175,304 S 8/1955 Gorin
 - 2,864,645 A 12/1958 Meldrum
- (Continued)

OTHER PUBLICATIONS

[http://www.amazon.com/DBTech-DB-BBDNB-Flashlight-Discontinued-Manufacturer- /dp/B00FK1HYB2/ref=sr.sub.-1.sub.-1?ie=UTF8&qid=1429709339&sr=8-1&keywor- ds=flashlight+tongs](http://www.amazon.com/DBTech-DB-BBDNB-Flashlight-Discontinued-Manufacturer-/dp/B00FK1HYB2/ref=sr.sub.-1.sub.-1?ie=UTF8&qid=1429709339&sr=8-1&keywords=flashlight+tongs), accessed Jun. 1, 2015. (copy submitted herewith is URL capture dated Apr. 15, 2015, accessed from Wayback Machine.).

(Continued)

Primary Examiner — Terry A Wallace

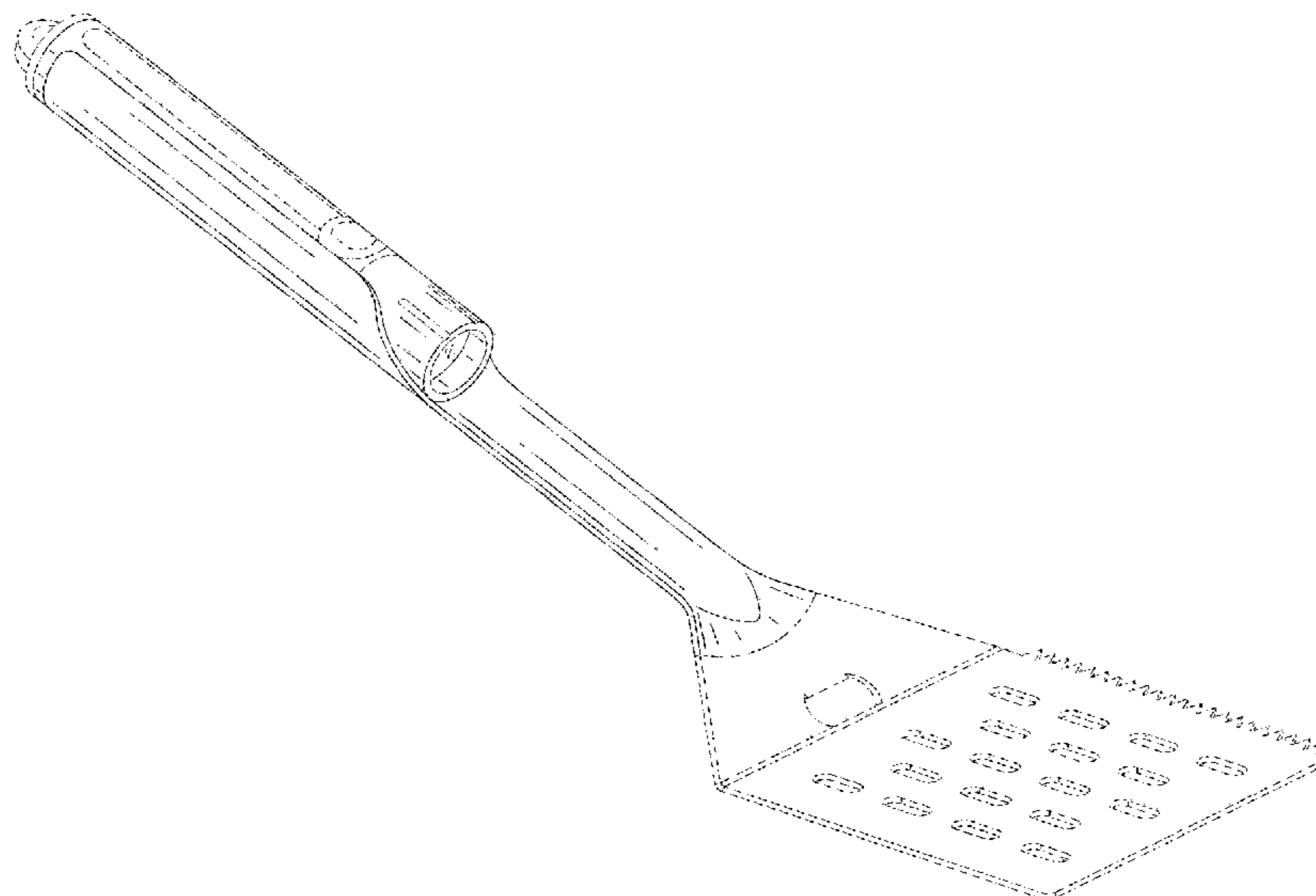
(57) **CLAIM**

The ornamental design for a grilling utensil, as shown and described.

DESCRIPTION

FIG. 1 is a bottom, left, front isometric view of a grilling utensil showing our new design.
 FIG. 2 is a front view thereof.
 FIG. 3 is a rear view thereof.
 FIG. 4 is a left side view thereof.
 FIG. 5 is a right side view thereof.
 FIG. 6 is a top view thereof.
 FIG. 7 is a top view thereof, showing the claimed design with the occluding environmental lines removed.
 FIG. 8 is a bottom view thereof.
 FIG. 9 is a bottom view thereof, showing the claimed design with the occluding environmental lines removed.
 FIG. 10 is a bottom, left, front isometric view of a grilling utensil showing our new design.
 FIG. 11 is a bottom, left, front isometric view of another grilling utensil showing our new design; and,
 FIG. 12 is a bottom, left, front isometric view of yet another grilling utensil showing our new design.
 The dot-dash broken lines immediately adjacent the shaded areas represent the bounds of the claimed design, while all other broken lines are directed to environment and are for illustrative purposes only; the broken lines form no part of the claimed design.

1 Claim, 7 Drawing Sheets



Related U.S. Application Data

continuation-in-part of application No. 29/530,132,
filed on Jun. 12, 2015, now Pat. No. Des. 785,416.

(56)

References Cited

U.S. PATENT DOCUMENTS

4,728,139 A 3/1988 Oretti
D311,307 S 10/1990 Cautereels et al.
5,014,434 A 5/1991 Skerker et al.
5,023,761 A * 6/1991 de Lange A47J 37/0786
362/120
D351,092 S 10/1994 Weber
5,457,611 A 10/1995 Verderber
D392,848 S * 3/1998 Zeller D7/683
D392,850 S 3/1998 Zeller
5,797,670 A 8/1998 Snoke et al.
D401,371 S 11/1998 Chen
5,964,517 A * 10/1999 Adams A47J 37/0786
362/109
6,092,847 A 7/2000 Kwan
6,161,937 A 12/2000 Rosenstatter
D437,531 S 2/2001 Kontou et al.
6,247,736 B1 * 6/2001 Esterson A47J 43/288
294/7
D455,559 S 4/2002 Wang et al.
D465,336 S 11/2002 Zemel
D481,916 S 11/2003 Kortleven et al.
6,675,483 B2 * 1/2004 Bond A47G 21/02
30/142
6,746,062 B2 6/2004 Bielecki et al.
6,862,764 B2 3/2005 Ping
6,988,814 B1 1/2006 Correa
7,008,077 B2 * 3/2006 Raichlen A47J 37/0786
294/16
7,040,546 B2 5/2006 Horan et al.
7,144,128 B2 12/2006 Brauner
D536,530 S 2/2007 Peterson
7,232,235 B2 6/2007 Morrow
D555,436 S 11/2007 Slothower

D563,675 S 3/2008 Zemel
D580,659 S 11/2008 Zemel
7,556,392 B2 7/2009 Weigl, Jr.
7,637,547 B2 12/2009 Schneider
D616,205 S 5/2010 Rothman
7,816,634 B1 * 10/2010 Guide, Jr. A47J 43/28
219/726
8,662,547 B2 3/2014 Jossem
9,254,065 B2 2/2016 Floyd et al.
9,474,418 B1 10/2016 Liu et al.
2003/0234547 A1 * 12/2003 Bielecki A47J 43/288
294/7
2006/0087842 A1 4/2006 Alessio
2008/0144309 A1 * 6/2008 Nagata A47G 21/02
362/120
2009/0267372 A1 10/2009 Chen
2010/0052347 A1 3/2010 Teng
2010/0199449 A1 8/2010 Ho et al.
2011/0140639 A1 6/2011 Shih
2011/0191970 A1 8/2011 Genatossio et al.
2015/0093480 A1 4/2015 Bieber

OTHER PUBLICATIONS

<http://www.amazon.com/Steven-Raichlen-Best-Barbecue-Grab-Light/dp/B0007ZGU-H0/ref=sr.sub.-1.sub.--2?ie=UTF8&qid=1429709423&sr=8-2&keywords=flashligh-t+tongs>, accessed Jun. 1, 2015. (copy submitted herewith is URL capture dated Mar. 2, 2015, accessed from Wayback Machine.).
<http://www.amazon.com/Mudder-Stainless-Barbecue-Removable-Flashlight/dp/B0-0SSKPD42/ref=sr.sub.-1.sub.-6?ie=UTF8&qid=1429709475&sr=8-6&keywords=fla-shlight+tongs>, accessed Jun. 1, 2015. (copy submitted herewith is URL capture dated Nov. 11, 2015, accessed from Wayback Machine.).
<http://www.amazon.com/Tonglite-LX-X1000-Stainless-Barbecue-dishwasher/dp/B-00K83CJOE/ref=sr.sub.-1.sub.-12?ie=UTF8&qid=1429709528&sr=8-12&keywords=-flashlight+tongs>, accessed Jun. 1, 2015. (copy submitted herewith is URL capture dated Mar. 7, 2015, accessed from Wayback Machine.).

* cited by examiner

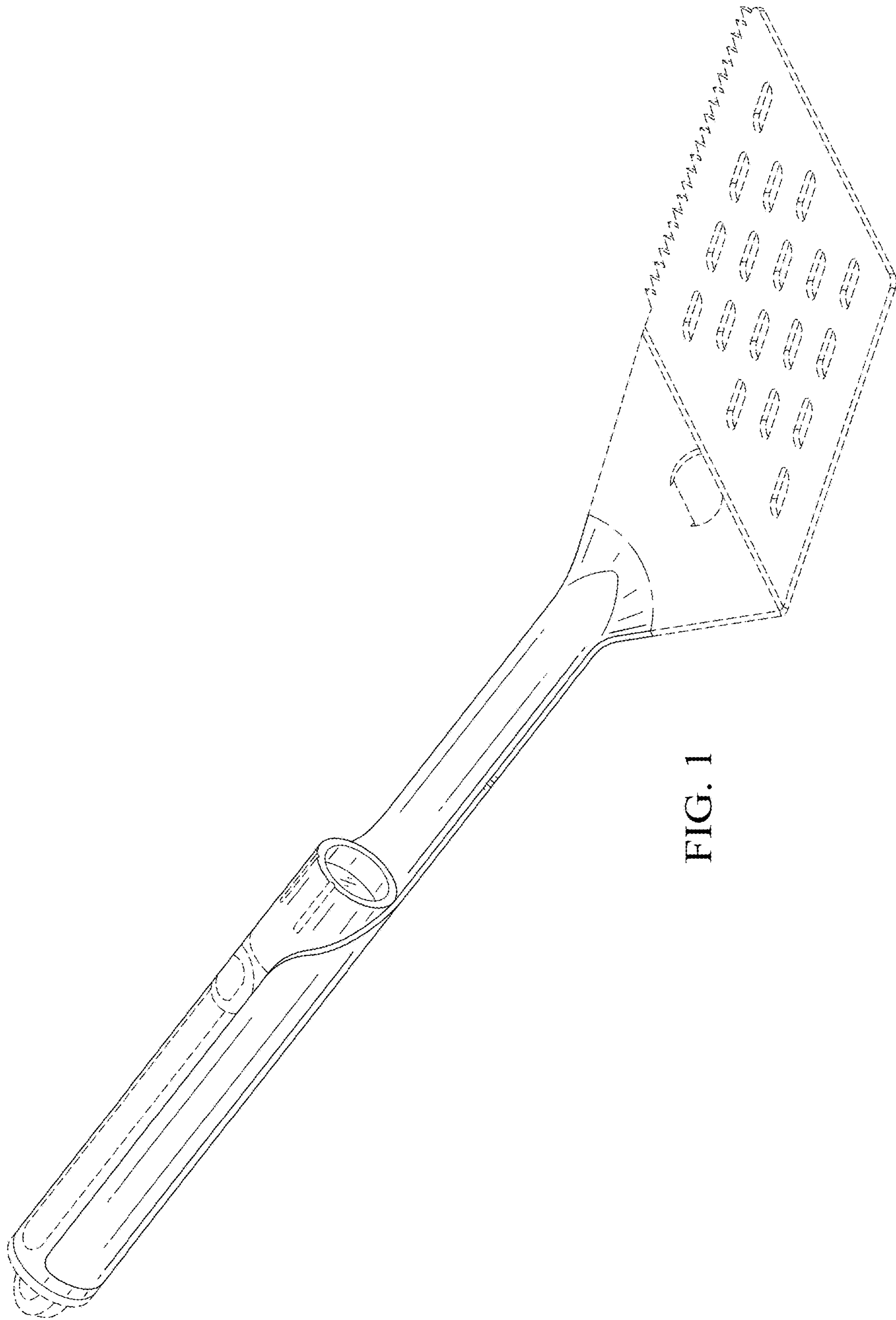


FIG. 1

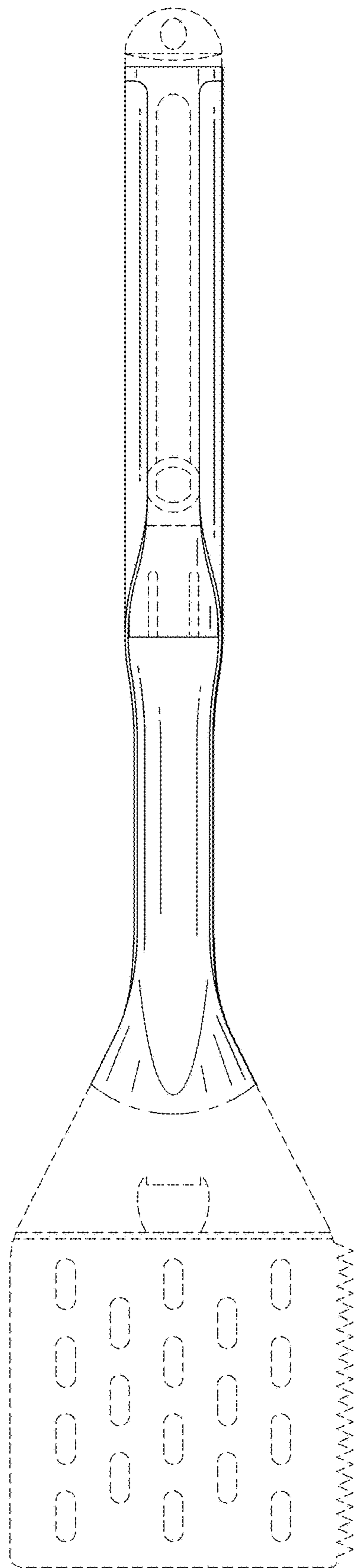


FIG. 2

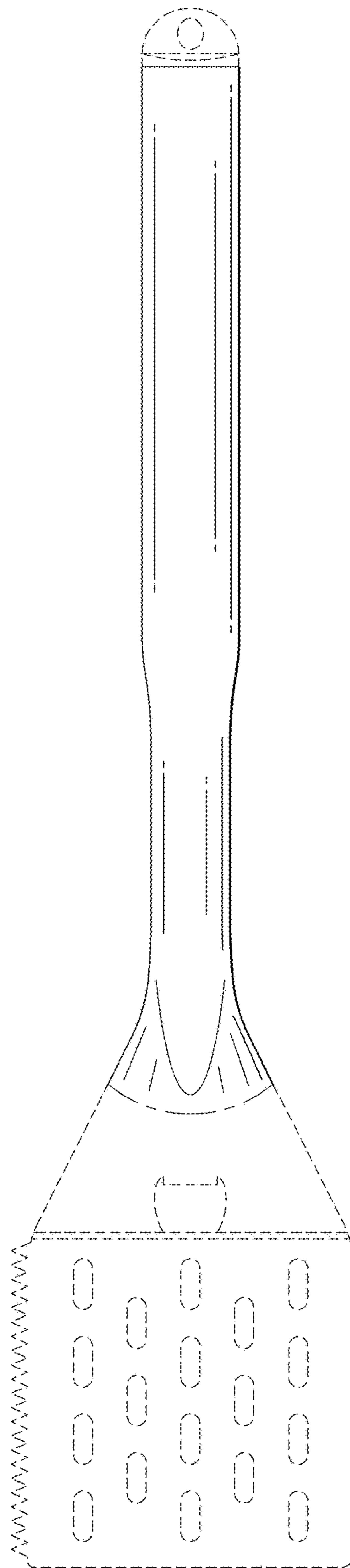


FIG. 3

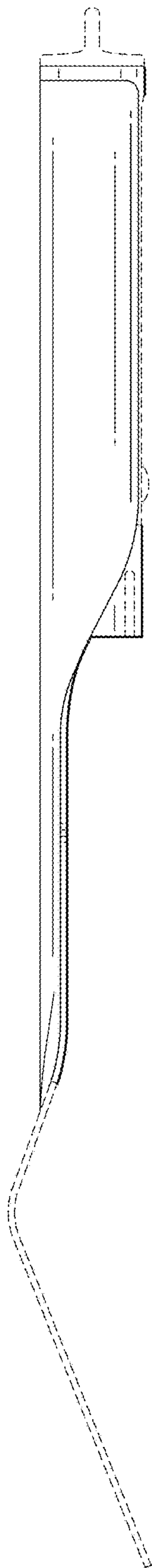


FIG. 4

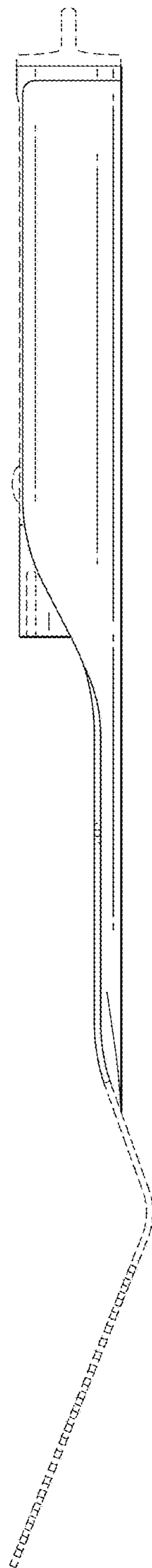


FIG. 5

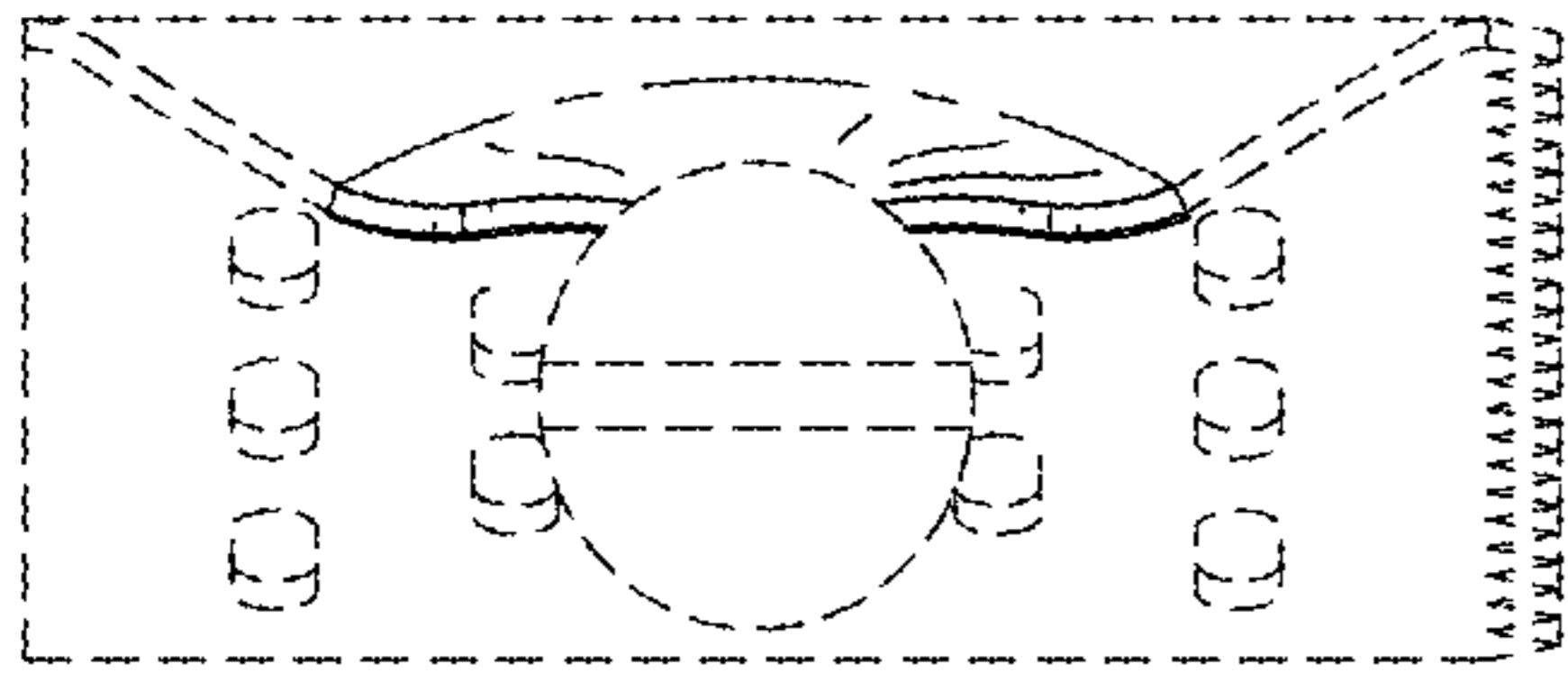


FIG. 6

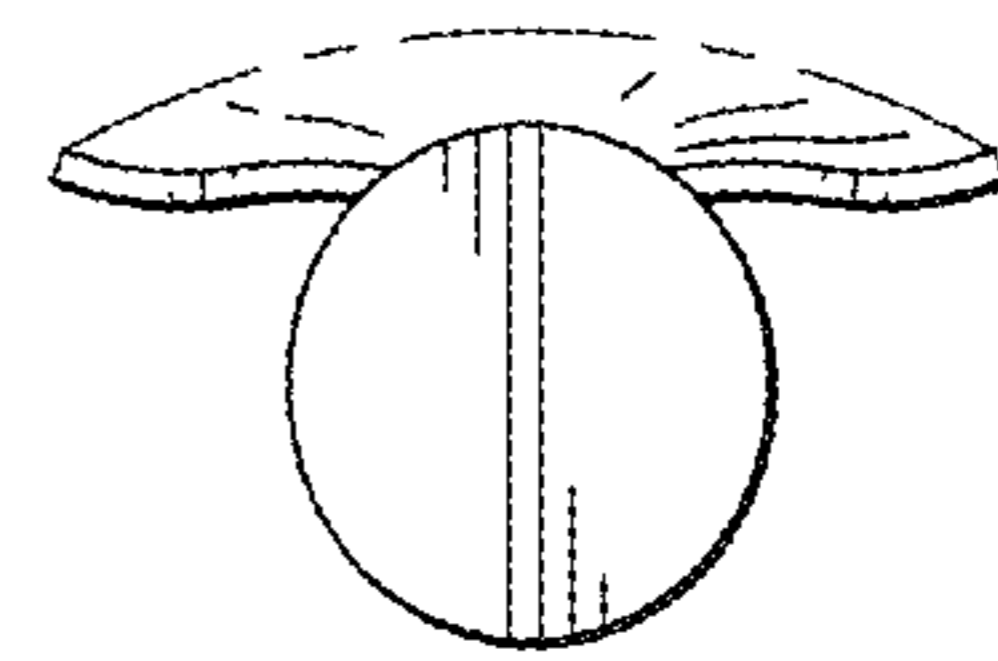


FIG. 7

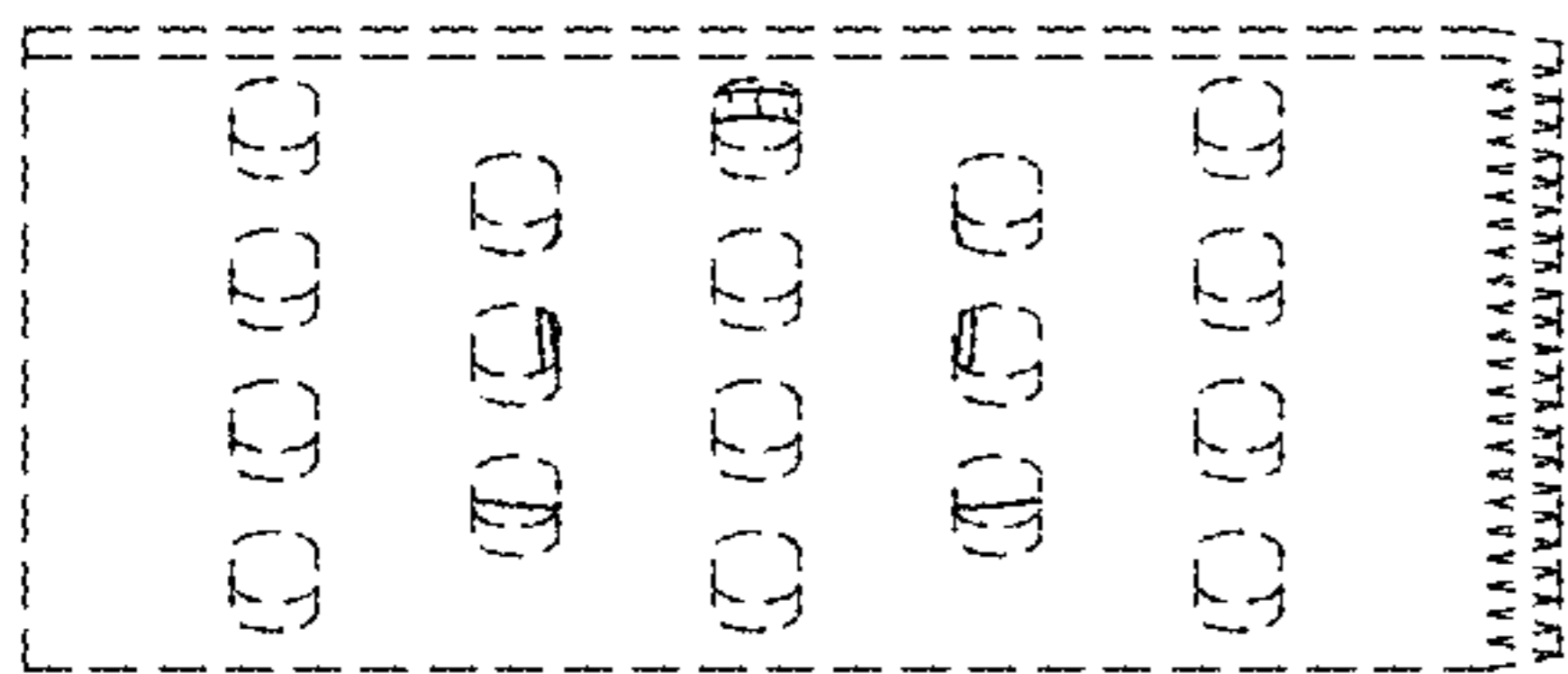


FIG. 8

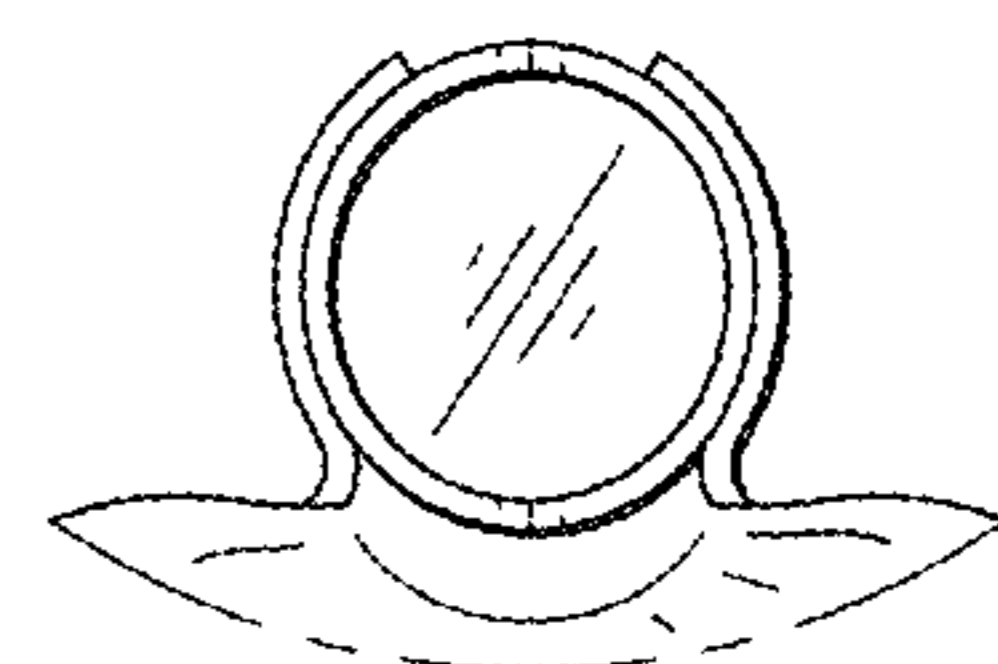


FIG. 9

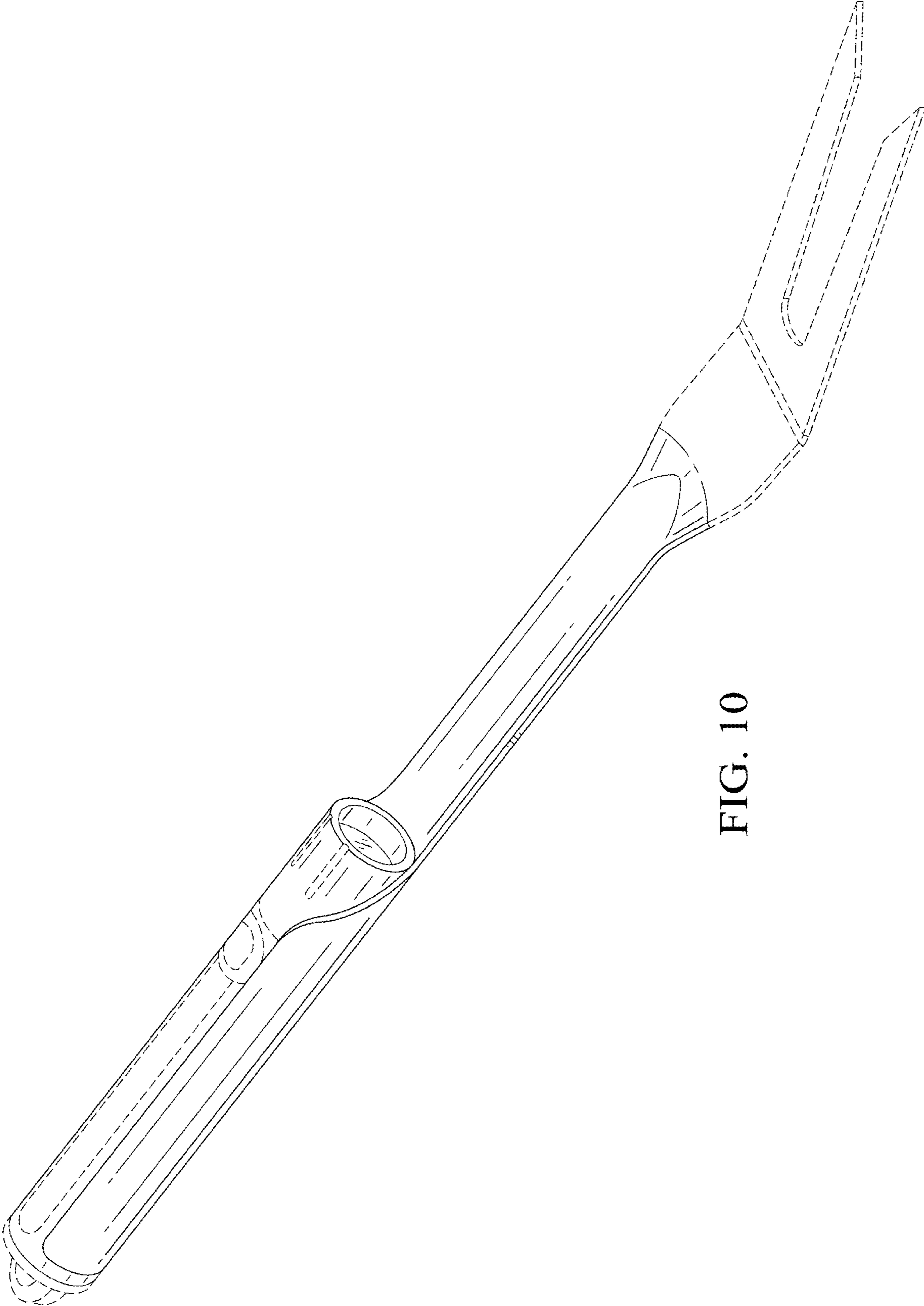


FIG. 10

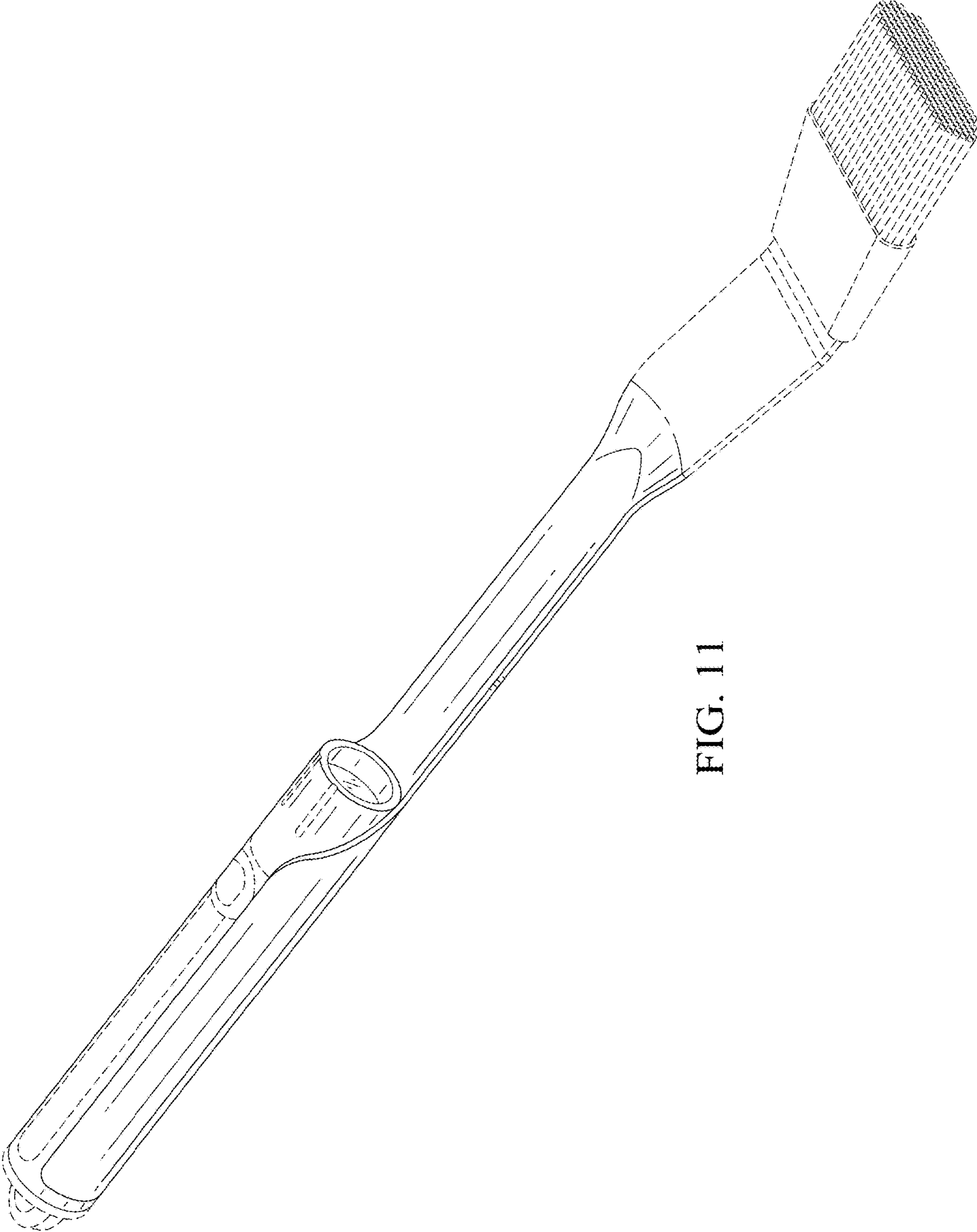


FIG. 11

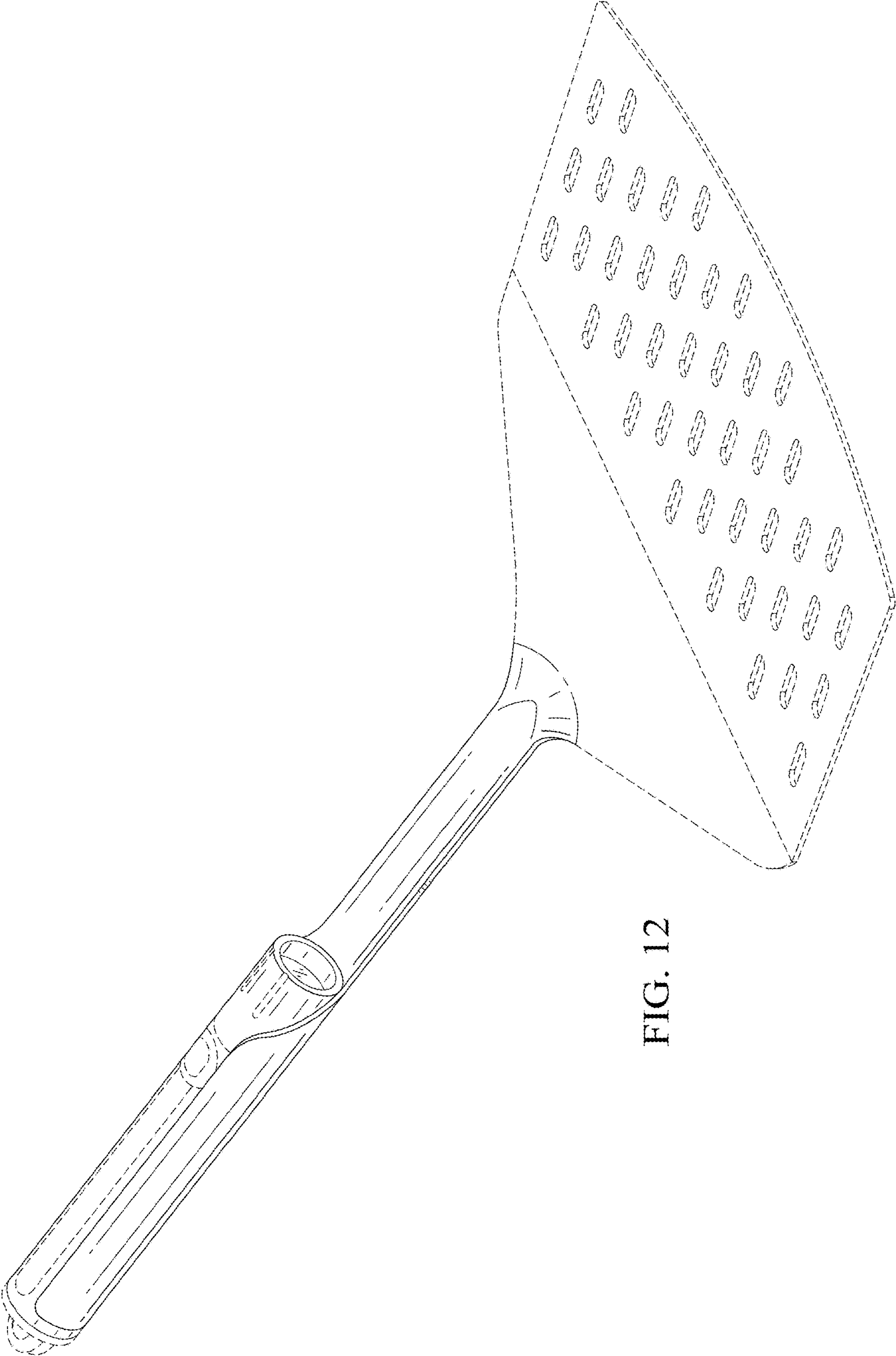


FIG. 12