



US00D869898S

(12) **United States Design Patent** (10) **Patent No.:** **US D869,898 S**
Hannigan (45) **Date of Patent:** **** Dec. 17, 2019**

(54) **TUMBLER LID**

(71) Applicant: **Michael J. Hannigan**, Osage Beach, MO (US)

(72) Inventor: **Michael J. Hannigan**, Osage Beach, MO (US)

(73) Assignee: **Blackbird Products Group, LLC**, West Chester Township, OH (US)

(**) Term: **15 Years**

(21) Appl. No.: **29/596,672**

(22) Filed: **Mar. 9, 2017**

(51) **LOC (12) Cl.** **07-99**

(52) **U.S. Cl.**
USPC **D7/392.1; D9/443**

(58) **Field of Classification Search**
USPC D3/202; D7/323, 254, 391, 392, 392.1, D7/396.1, 396.2, 396, 401.1, 503, 509, D7/510, 511, 523, 525, 526, 527, 536, D7/538, 552.1, 553.1, 553.2, 554, 589, D7/600.1, 602, 614, 704, 900; D9/434, D9/435, 436, 437, 438, 439, 440, 442, D9/443, 445, 446, 447, 449, 450, 452, D9/453, 454, 499, 686, 688, 690, 708, D9/709, 723, 724, 763, 772; D24/121, D24/122, 127, 199; D23/206, 249, 259, D23/260

CPC B65D 47/141; B65D 47/121; B65D 47/32; B65D 39/00; B65D 43/022; B65D 43/0222; B65D 43/0225; B65D 51/18; B65D 55/16; B65D 2251/0012; B65D 2251/0025; B65D 2251/0028; B65D 2251/0081; B65D 2251/0087; B65D 2251/009; B65D 2543/00046; B65D 2543/00092; B65D 2543/0049; B65D 2543/005; B65D 2543/000537; B65D 2543/000546; B65D 2543/000842; A47G 19/2266; A47G 19/2272

See application file for complete search history.

(56) **References Cited**

U.S. PATENT DOCUMENTS

D364,533	S	*	11/1995	Brophy	D7/387
D425,751	S	*	5/2000	Yu	D7/391
D625,949	S	*	10/2010	Rae	D7/391
D680,431	S	*	4/2013	Hopkins	D9/443
D692,719	S	*	11/2013	Shahani	D7/354
D717,102	S	*	11/2014	Taketani	D7/392.1

(Continued)

OTHER PUBLICATIONS

Bamboo Travel Tumbler: Announced Mar. 23, 2016 [online]. Site Visited [Jul. 24, 2019]. Availalbe from Internet URL: <https://www.republicoftea.com/bamboo-travel-tumbler/p/v20348/>.*

Primary Examiner — Jennifer Rivard
Assistant Examiner — Catherine S Posthauer
(74) *Attorney, Agent, or Firm* — Invention Protection Associates, LLC

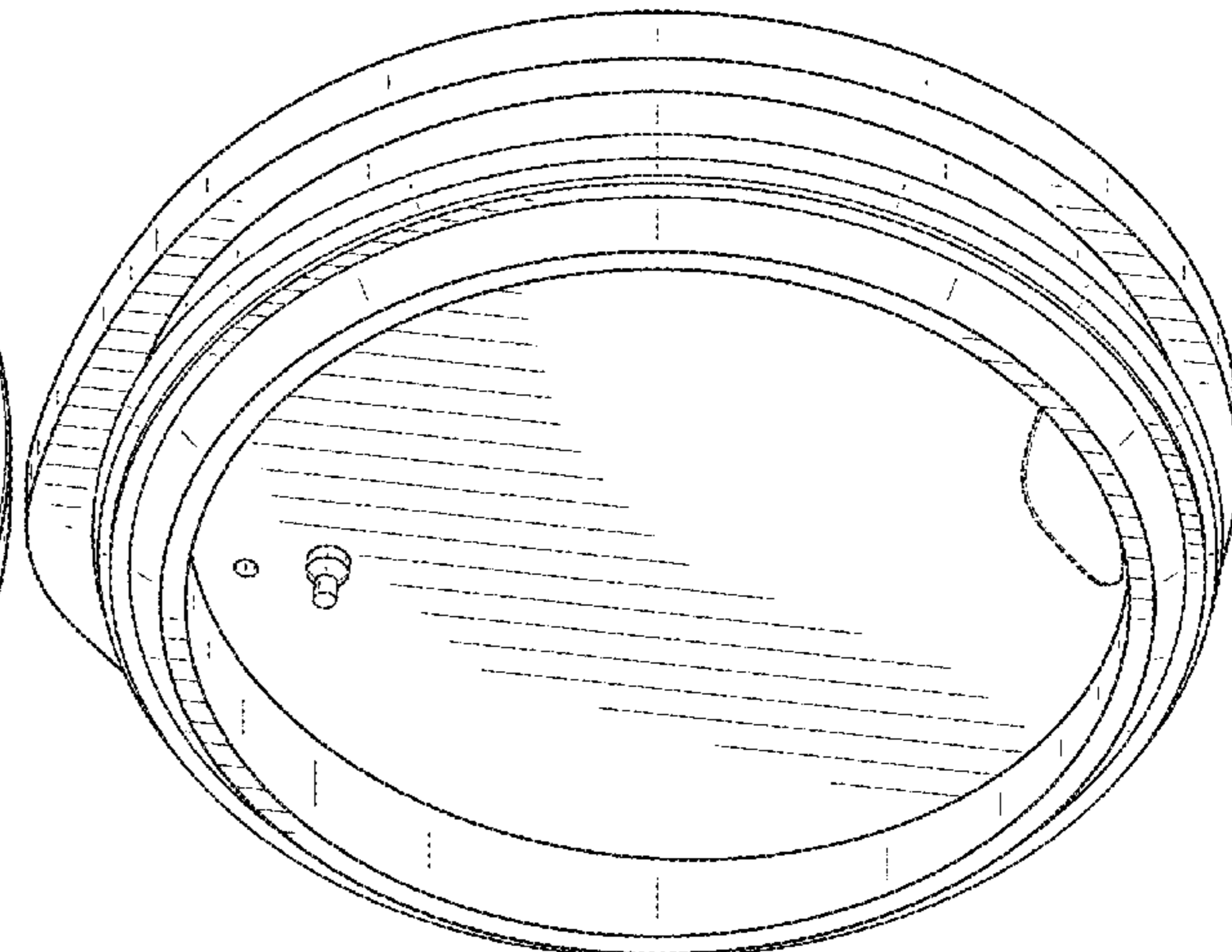
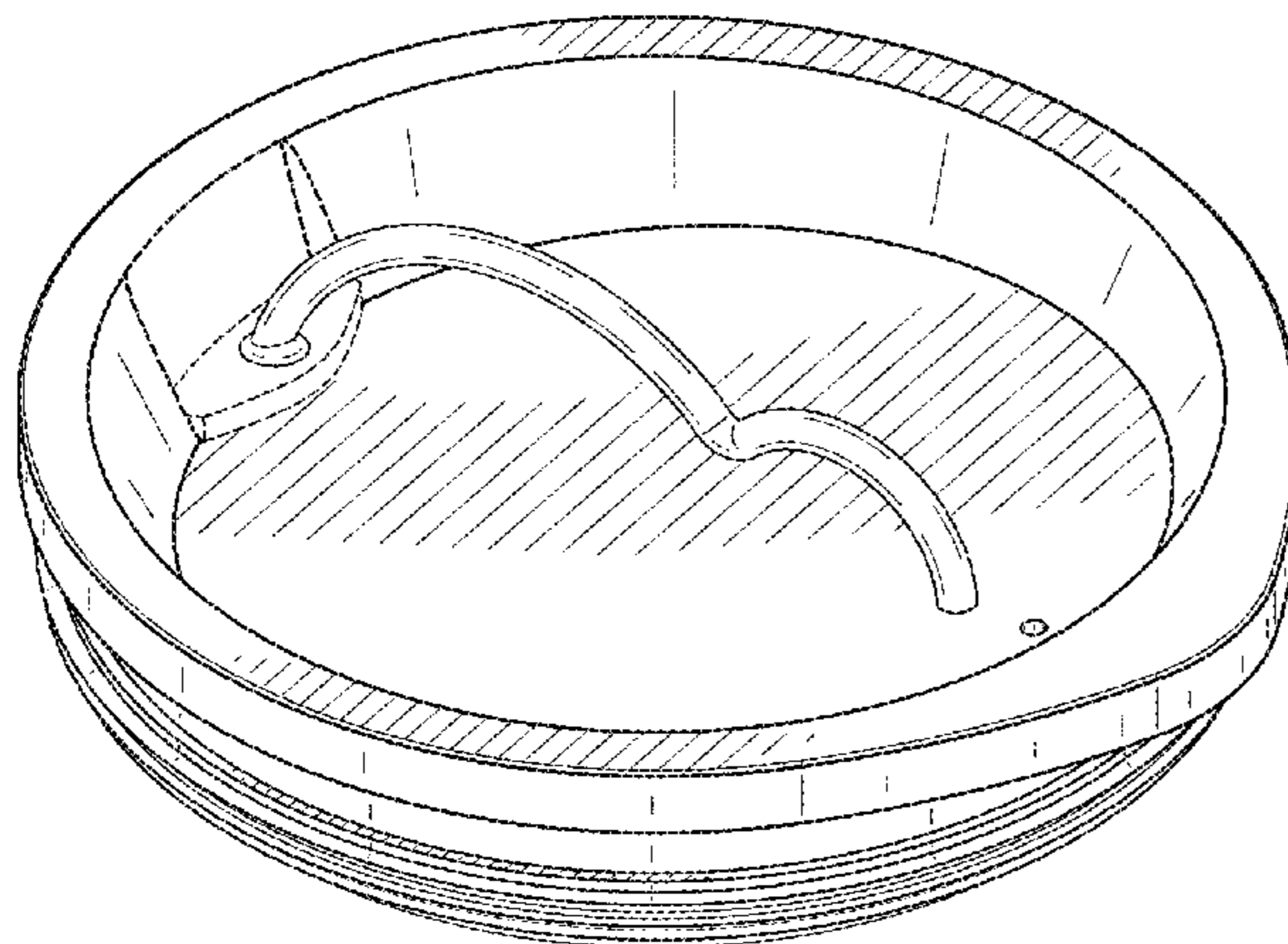
(57) **CLAIM**

The ornamental design for a tumbler lid, as shown and described.

DESCRIPTION

FIG. 1 is a top perspective view showing my new design for a tumbler lid;
FIG. 2 is a bottom perspective view thereof;
FIG. 3 is a top plan view thereof;
FIG. 4 is a bottom plan view thereof;
FIG. 5 is a left side elevational view thereof;
FIG. 6 is a right side elevational view thereof;
FIG. 7 is a front side elevational view thereof;
FIG. 8 is a rear side elevational view thereof, shown in an alternate position of use; and,
FIG. 9 is a top perspective view thereof.
The broken lines are shown for the purpose of illustrating parts of the article that form no part of the claim.

1 Claim, 6 Drawing Sheets



(56)

References Cited

U.S. PATENT DOCUMENTS

D746,631 S * 1/2016 Tseng D7/392.1
9,833,090 B2 * 12/2017 Ross B65D 43/14
D807,111 S * 1/2018 Sorensen D7/391
D818,765 S * 5/2018 Ulanski D7/391
D819,787 S * 6/2018 Yeater D23/260
D831,415 S * 10/2018 Hansen D7/392.1
D839,043 S * 1/2019 Boroski D7/391
2017/0121077 A1 * 5/2017 Lawson A47G 19/2266
2018/0065784 A1 * 3/2018 Cote, Sr. B65D 47/244

* cited by examiner

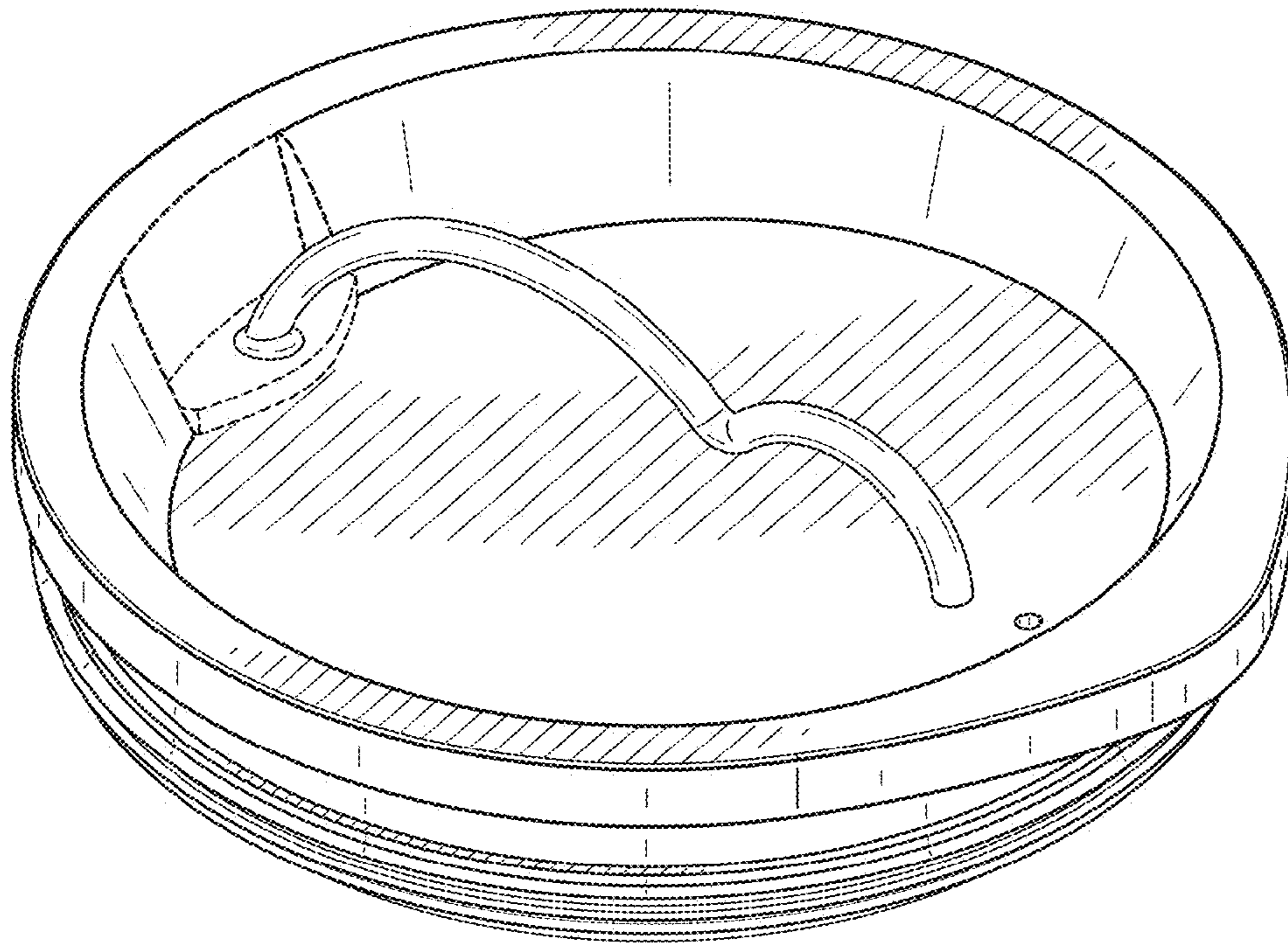


FIG. 1

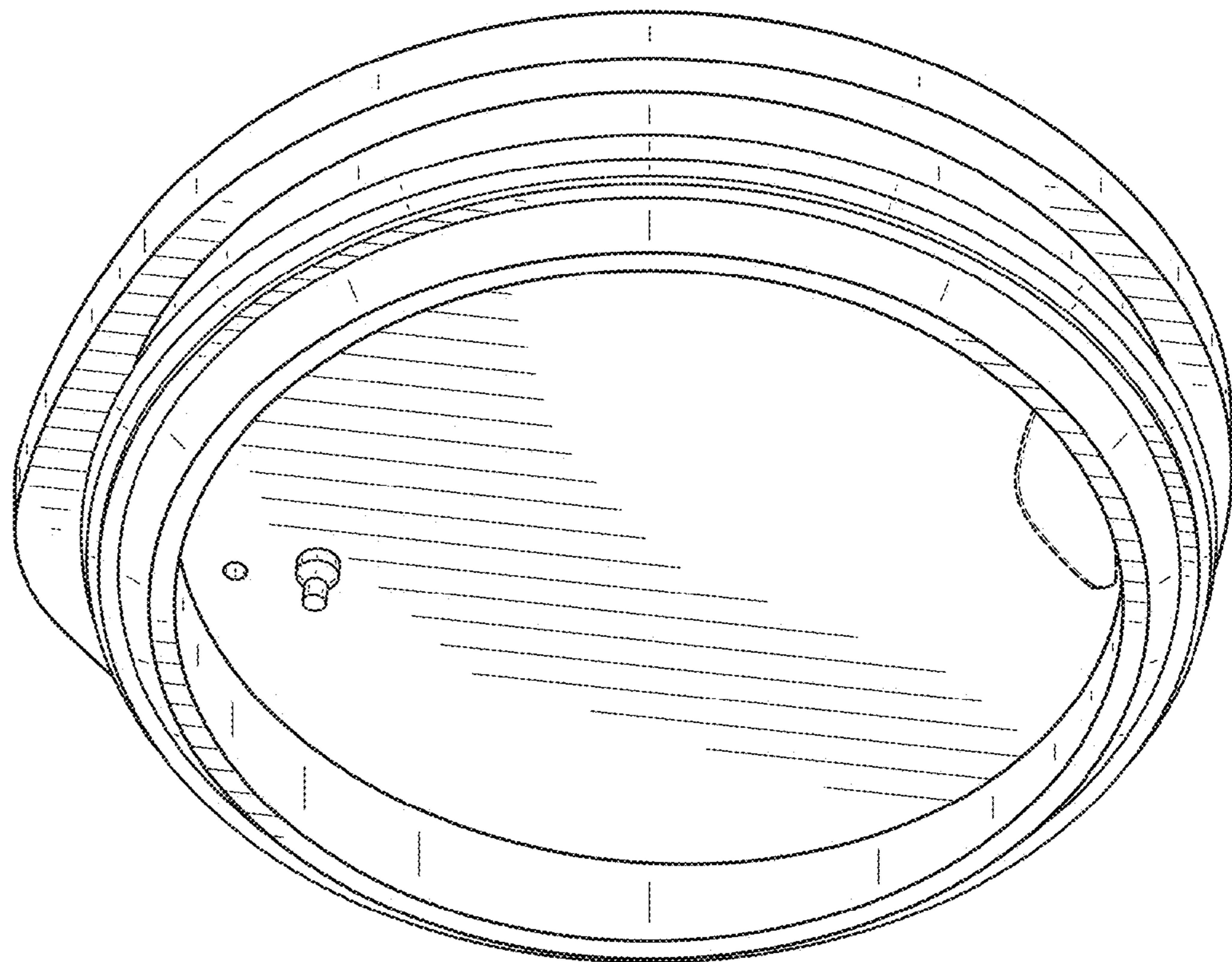


FIG. 2

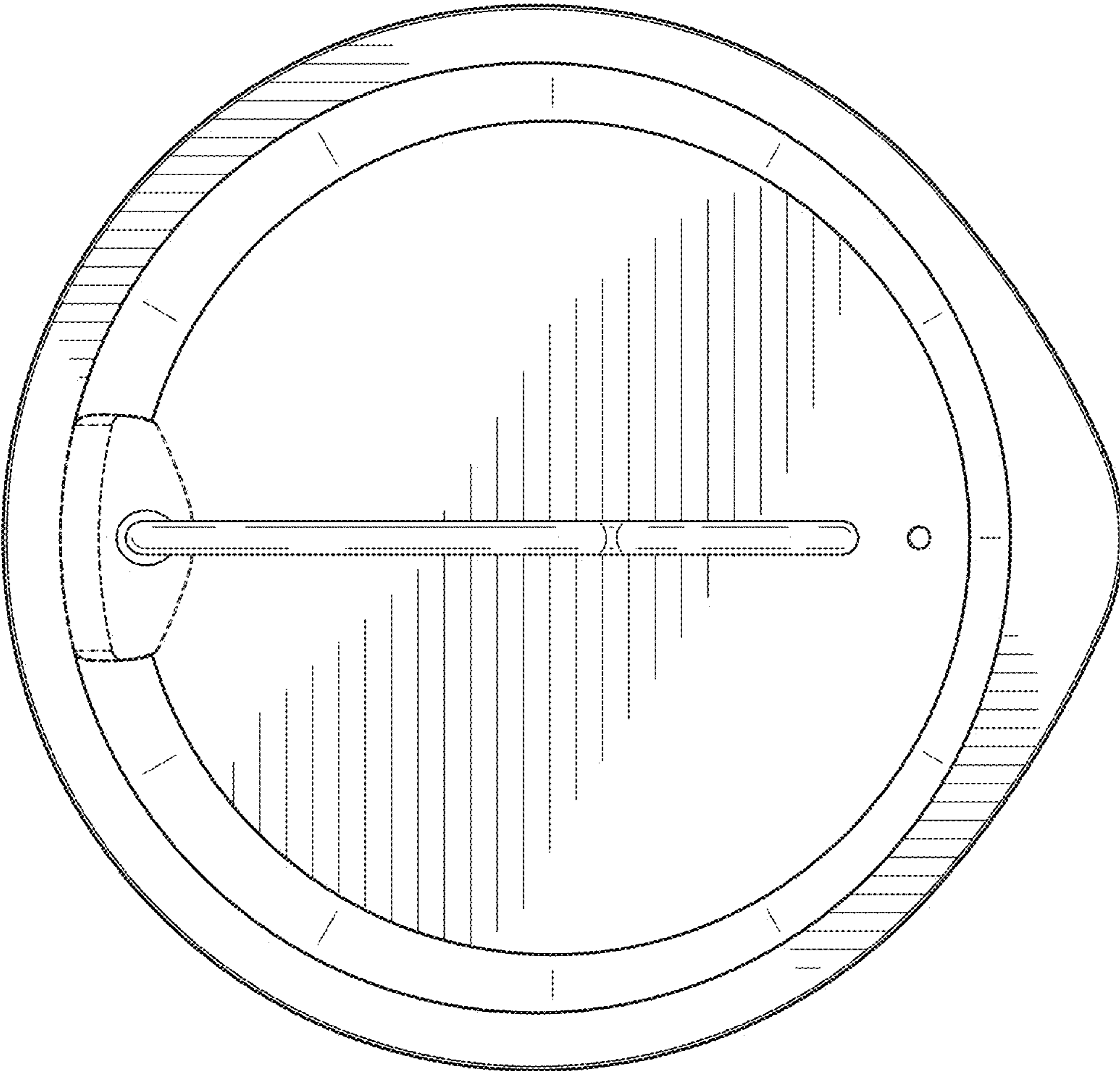


FIG. 3

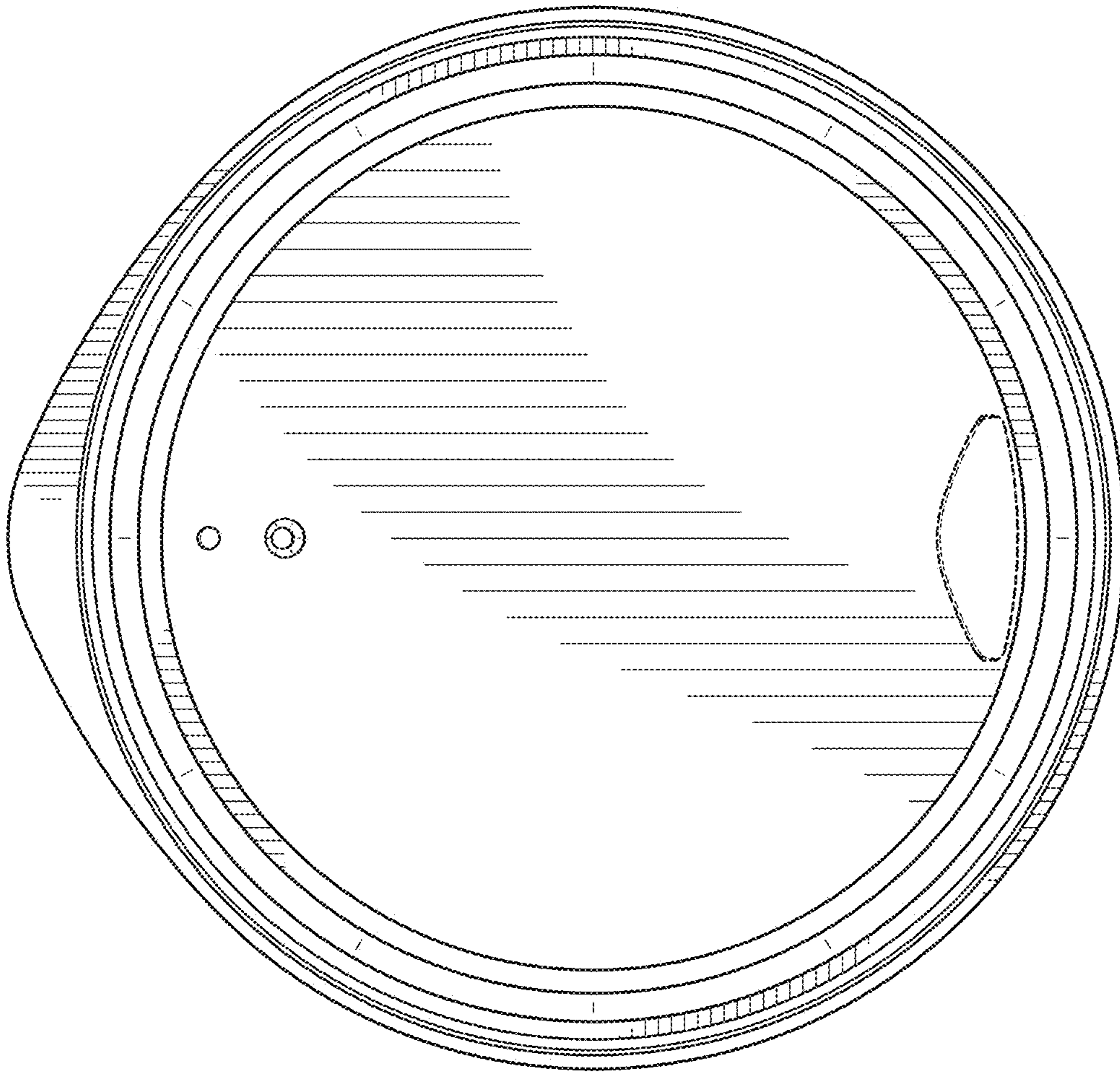


FIG. 4

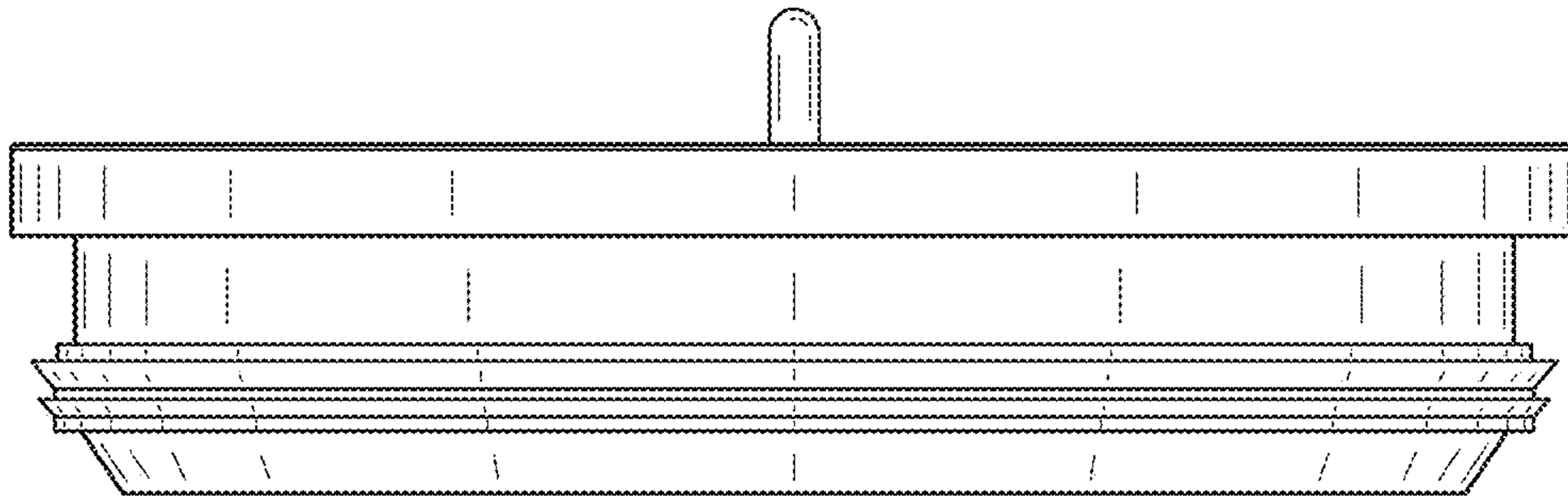


FIG. 5

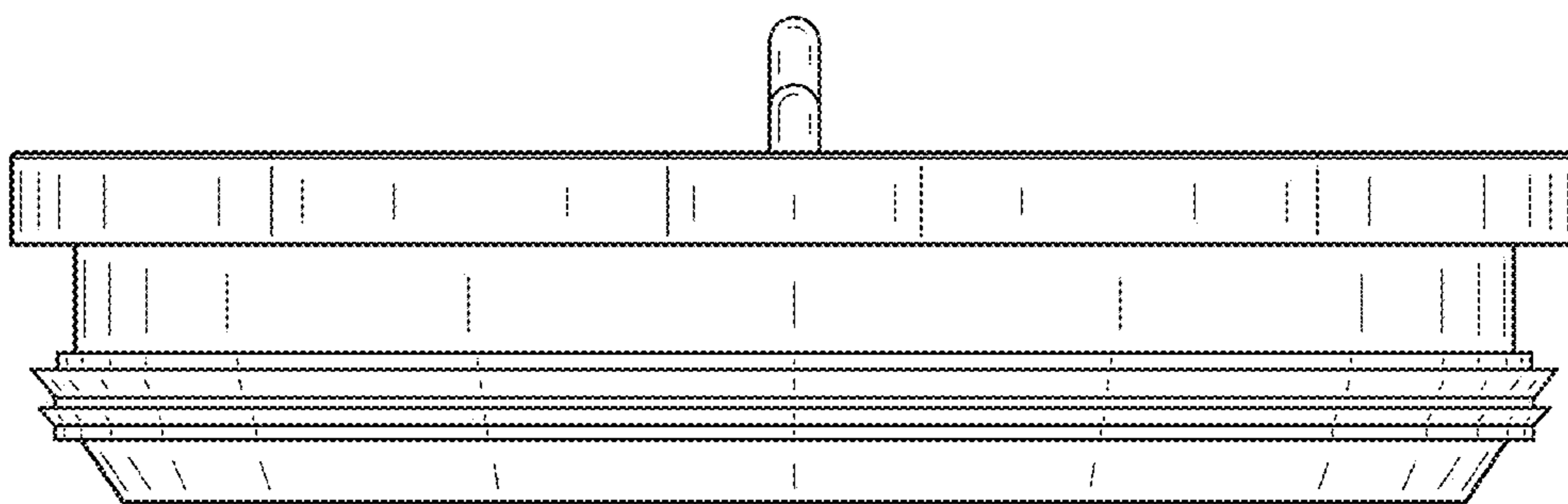


FIG. 6

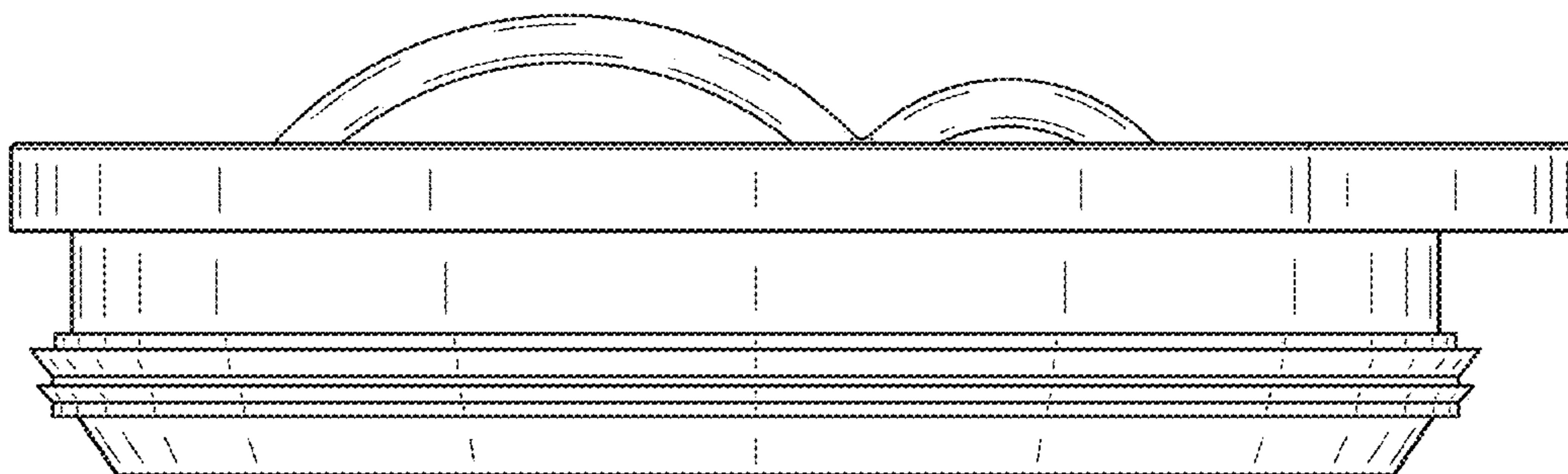


FIG. 7

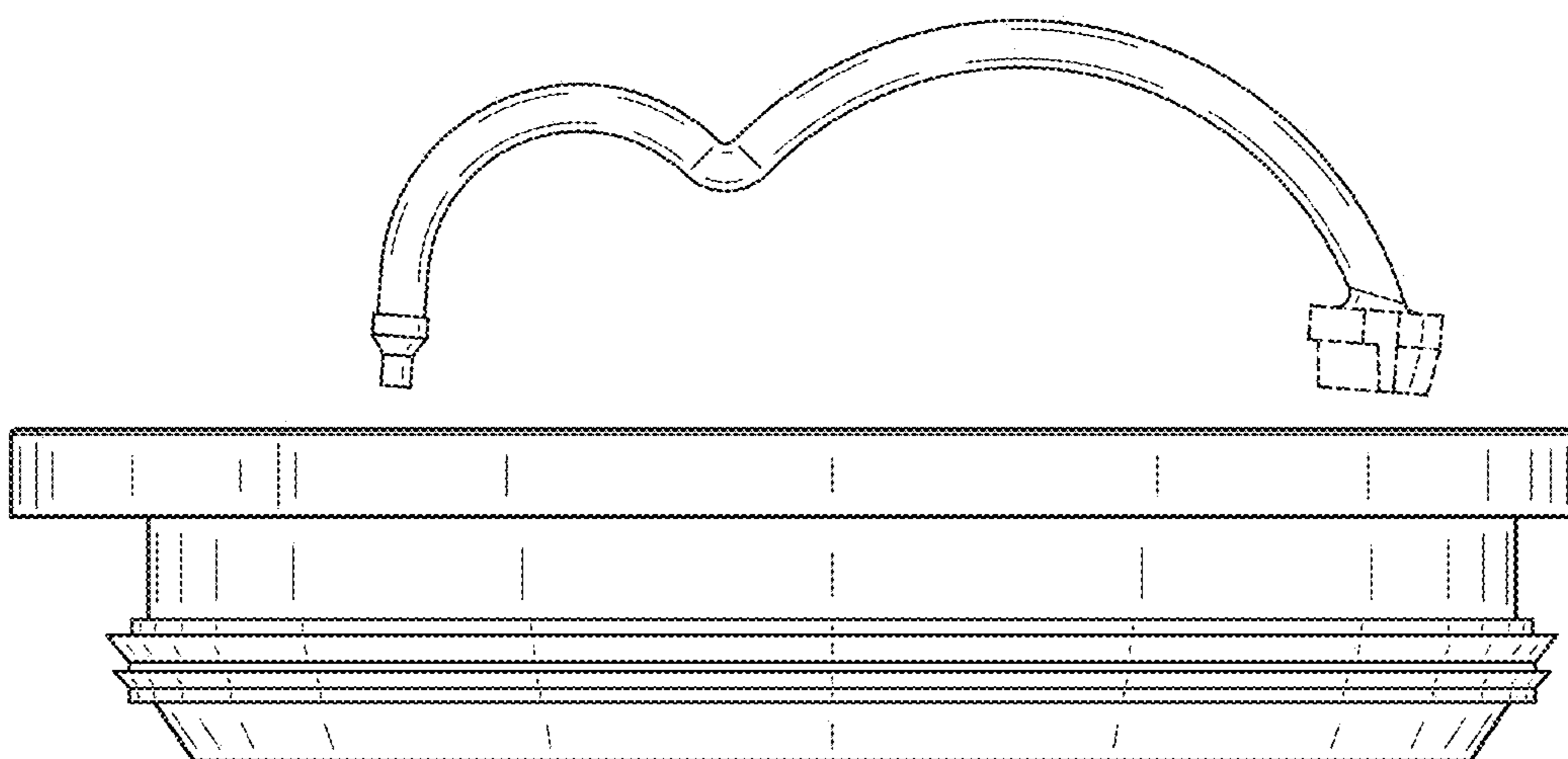


FIG. 8

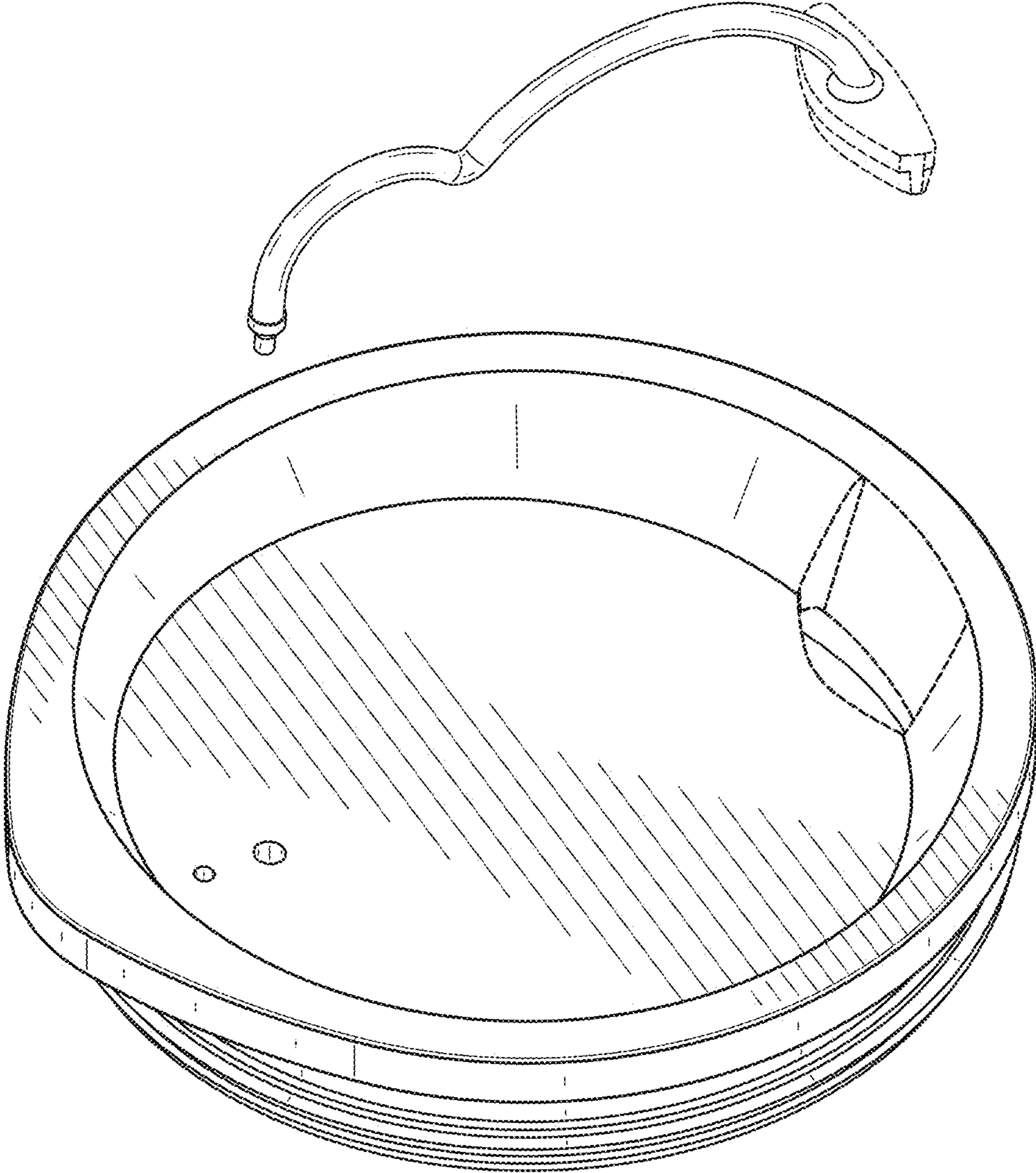


FIG. 9