



US00D869897S

(12) **United States Design Patent** (10) **Patent No.:** **US D869,897 S**
Gort-Barten (45) **Date of Patent:** **** Dec. 17, 2019**

(54) **MILK FROTHER**

(71) Applicants: **Alex Gort-Barten**, West Sussex (GB);
Hotel Chocolat Limited, Royston (GB)

(72) Inventor: **Alex Gort-Barten**, West Sussex (GB)

(73) Assignees: **Alex Gort-Barten** (GB); **Hotel Chocolat Limited** (GB)

(**) Term: **15 Years**

(21) Appl. No.: **29/665,567**

(22) Filed: **Oct. 4, 2018**

(30) **Foreign Application Priority Data**

Apr. 4, 2018 (EM) 005192515

(51) **LOC (12) Cl.** **31-00**

(52) **U.S. Cl.**
USPC **D7/377; D7/376**

(58) **Field of Classification Search**
USPC D7/317-318, 372, 376-386, 412-413,
D7/602, 629, 665-666, 669, 679,
D7/693-694

CPC A21C 1/02; A21C 1/04; A23N 1/00; A23N
1/02; A47J 43/04; A47J 43/25; A47J
43/27; A47J 43/042; A47J 43/044; A47J
43/046; A47J 43/075; A47J 43/0722;
A47J 43/0727; B01F 3/00; B01F 3/0807;
B01F 3/0853; B01F 13/0059; B01F
13/0064; B02C 1/08; B02C 2/04; B02C
4/42; B02C 4/142; B02C 4/143; B02C
4/423; B02C 13/1835; B28C 5/10; B28C
5/12; B28C 5/14; B28C 5/16

See application file for complete search history.

(56) **References Cited**

U.S. PATENT DOCUMENTS

D550,506 S *	9/2007	Spitzer	D7/412
D592,446 S *	5/2009	Berlencourt	D7/376
D602,304 S *	10/2009	Elissen	D7/317
D607,684 S *	1/2010	Elissen	D7/317
D613,988 S *	4/2010	Lane	D7/317
D630,463 S *	1/2011	Picozza	D7/317
D646,521 S *	10/2011	Collinson	D7/376
D646,522 S *	10/2011	Collinson	D7/376
D792,737 S *	7/2017	Stergiotis	D7/376
D817,080 S *	5/2018	Seidl	D7/377

* cited by examiner

Primary Examiner — Ricky Pham

(74) *Attorney, Agent, or Firm* — Stites & Harbison,
PLLC; David W. Nagle, Jr.

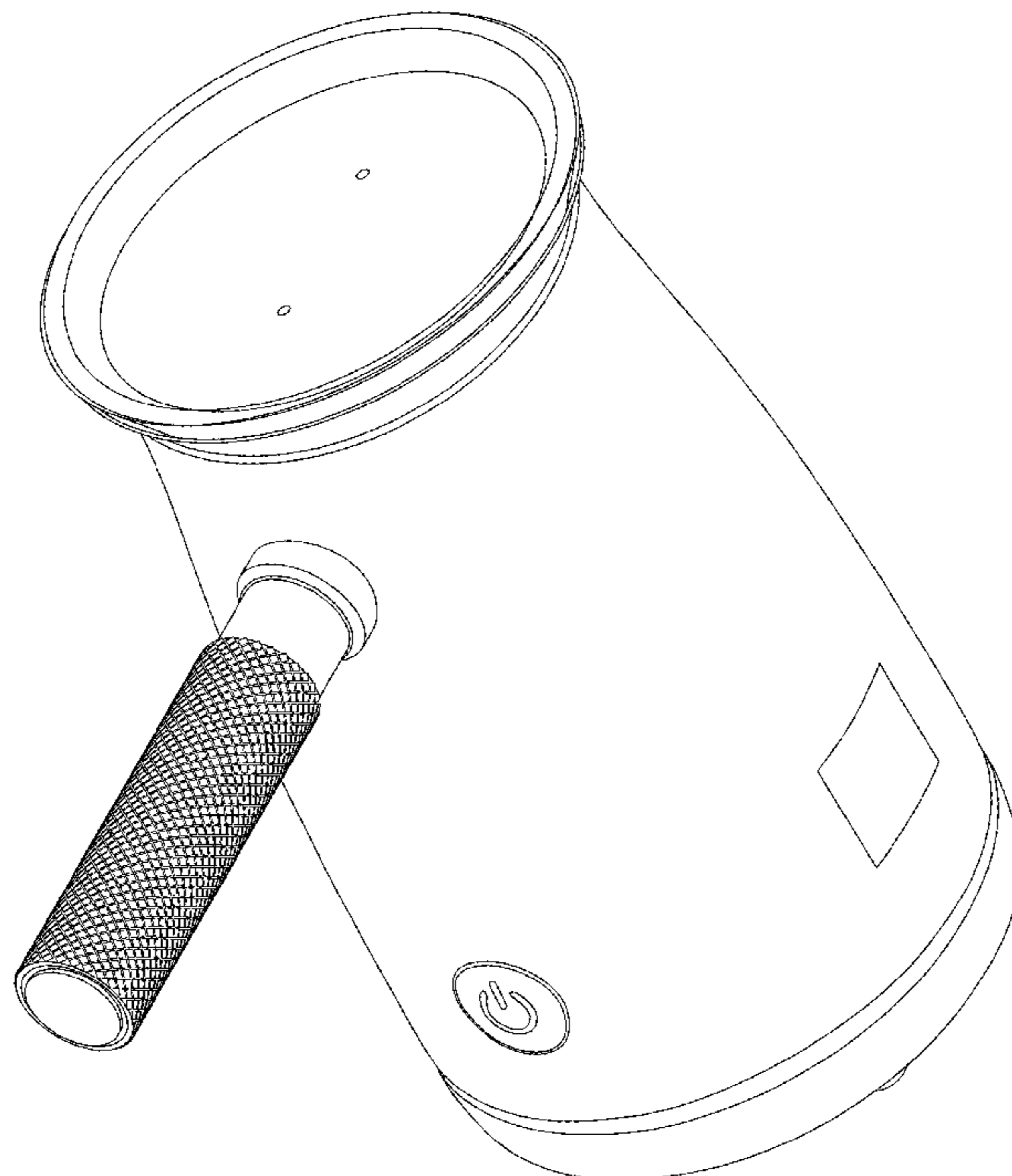
(57) **CLAIM**

The ornamental design for a milk frother, as shown and described.

DESCRIPTION

FIG. 1 is a perspective view of a milk frother incorporating the design of the present invention, showing the top, front, and right side surfaces of the milk frother;
FIG. 2 is a top view of the milk frother of FIG. 1;
FIG. 3 is a bottom view of the milk frother of FIG. 1;
FIG. 4 is a front view of the milk frother of FIG. 1;
FIG. 5 is a rear view of the milk frother of FIG. 1;
FIG. 6 is a left side view of the milk frother of FIG. 1; and,
FIG. 7 is a right side view of the milk frother of FIG. 1.

1 Claim, 7 Drawing Sheets



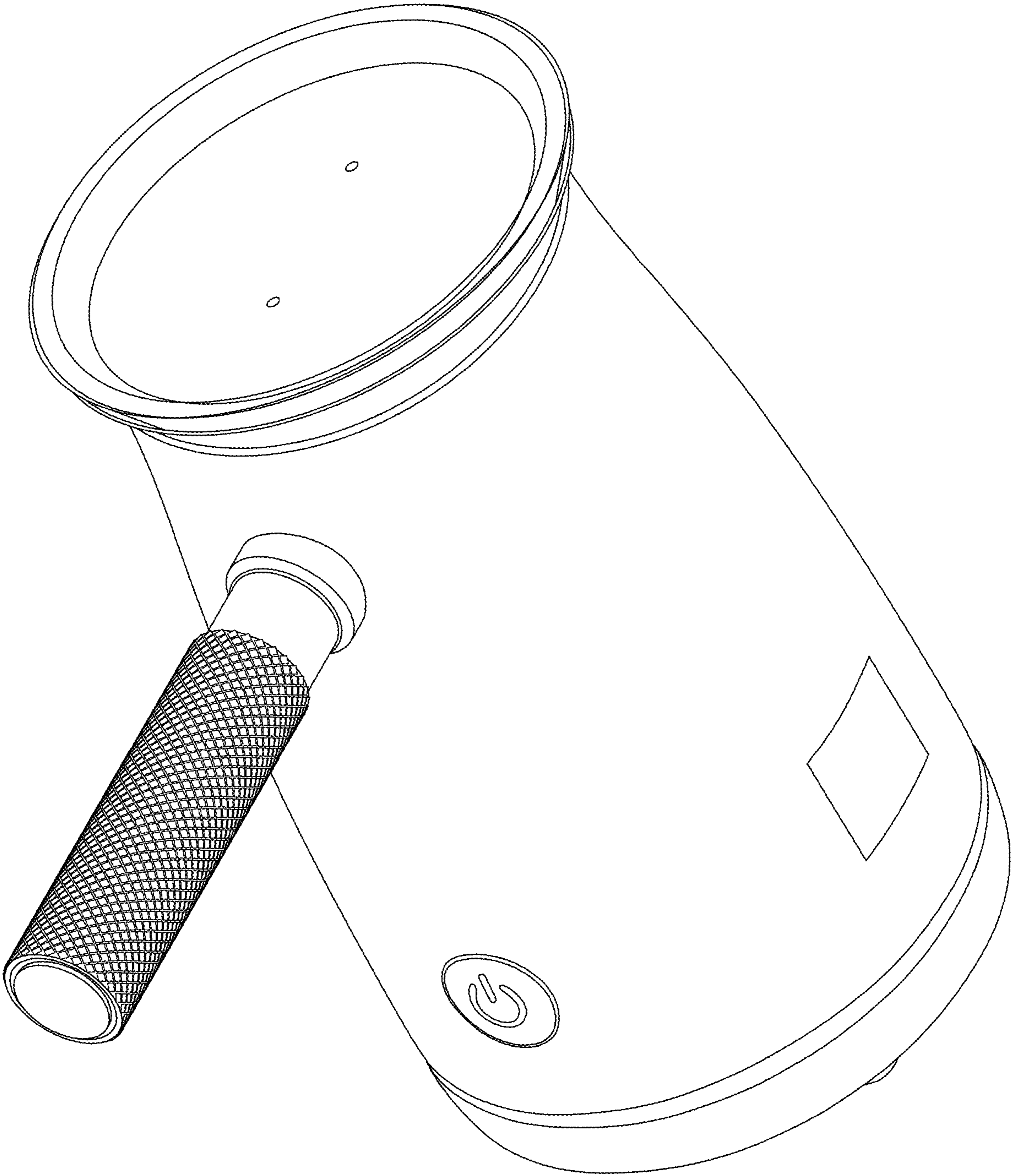


FIG. 1

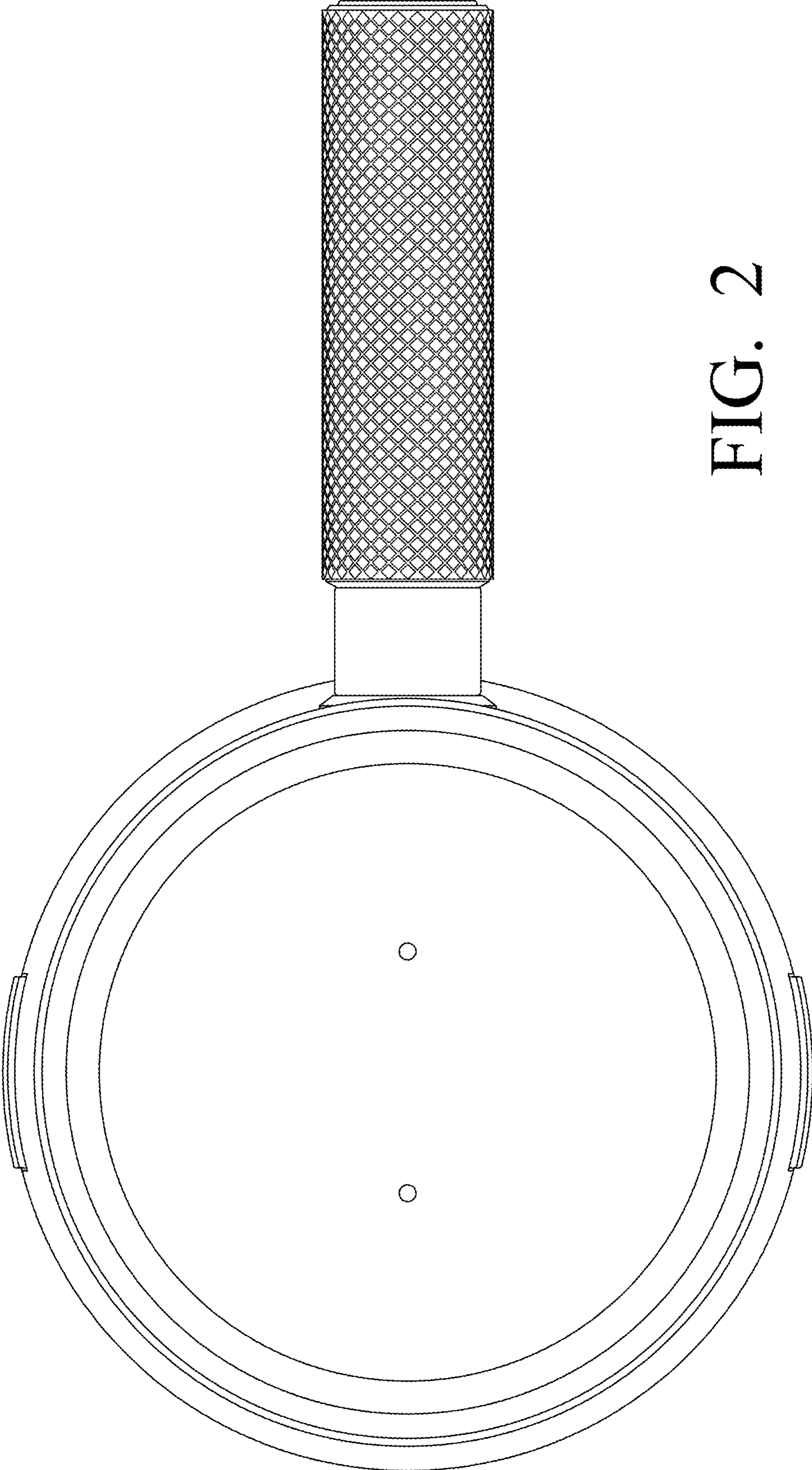


FIG. 2

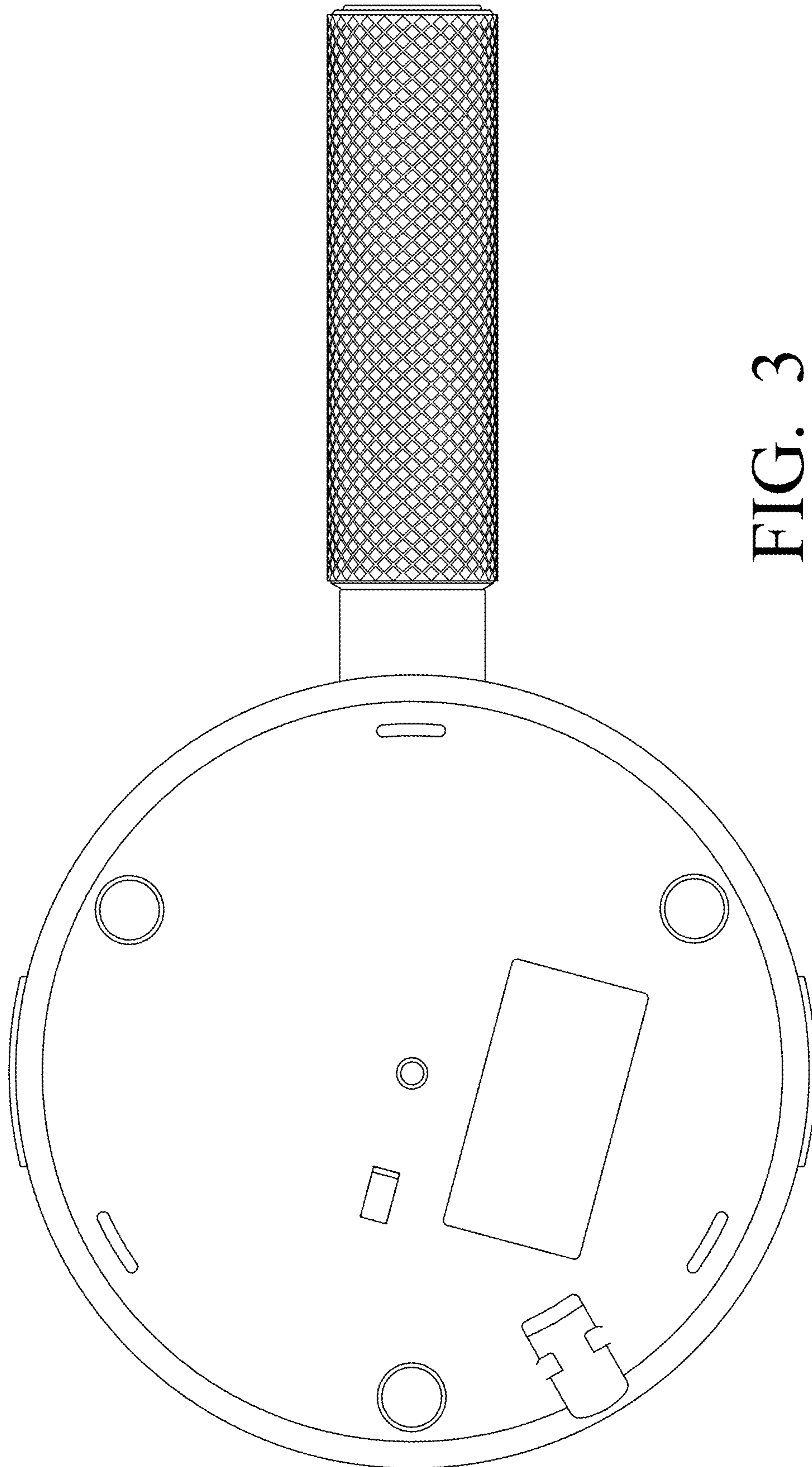


FIG. 3

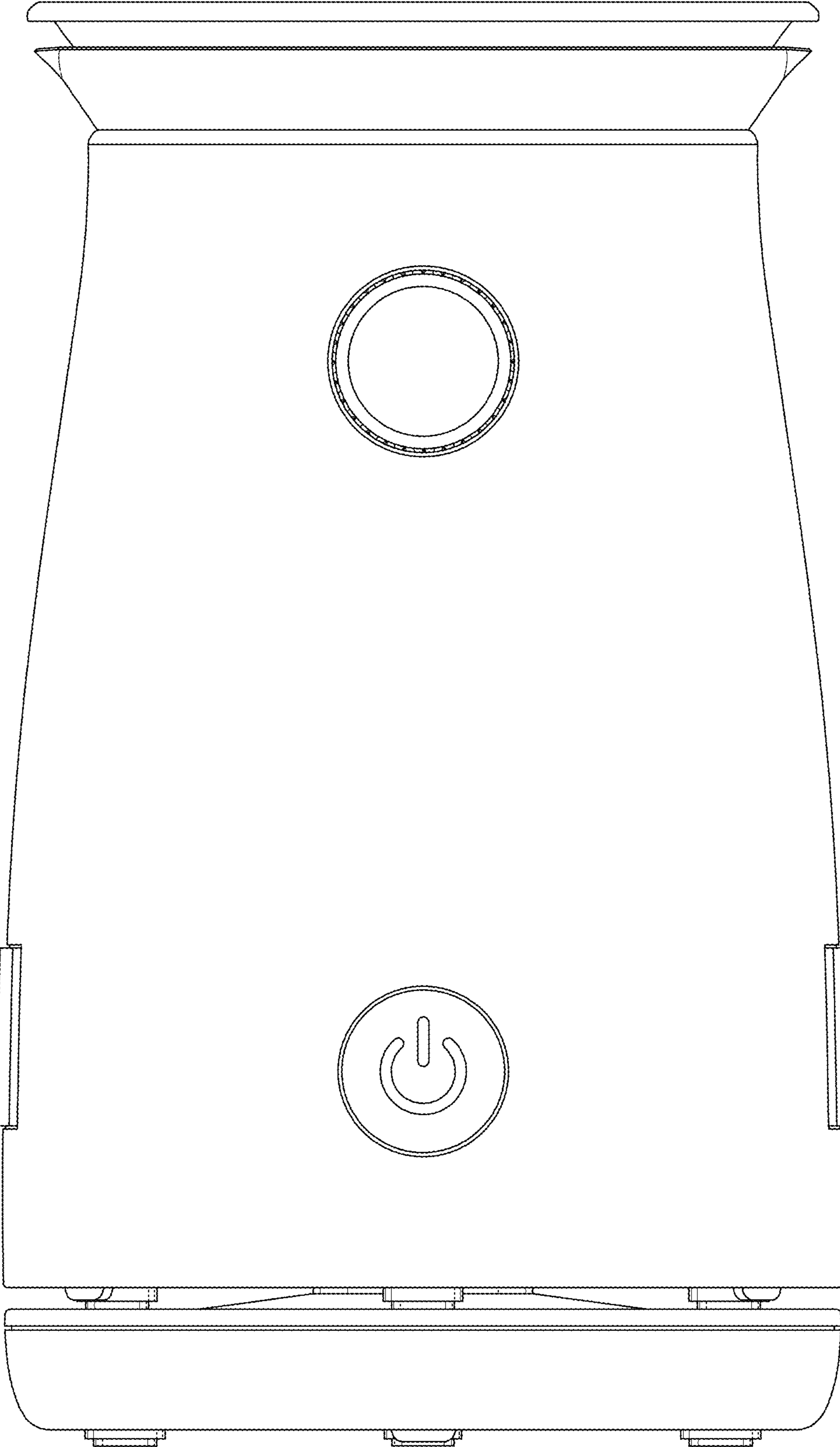


FIG. 4

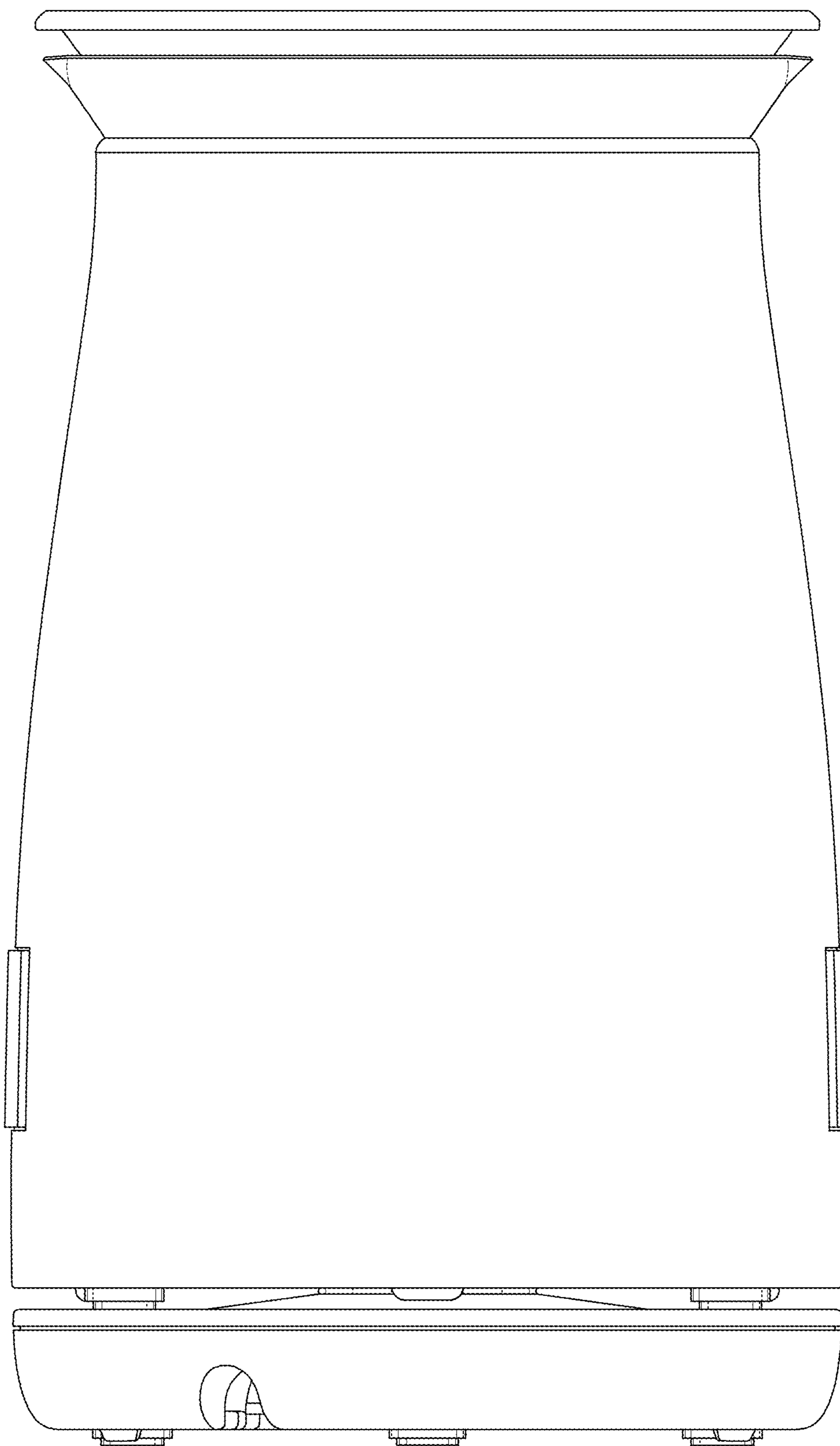


FIG. 5

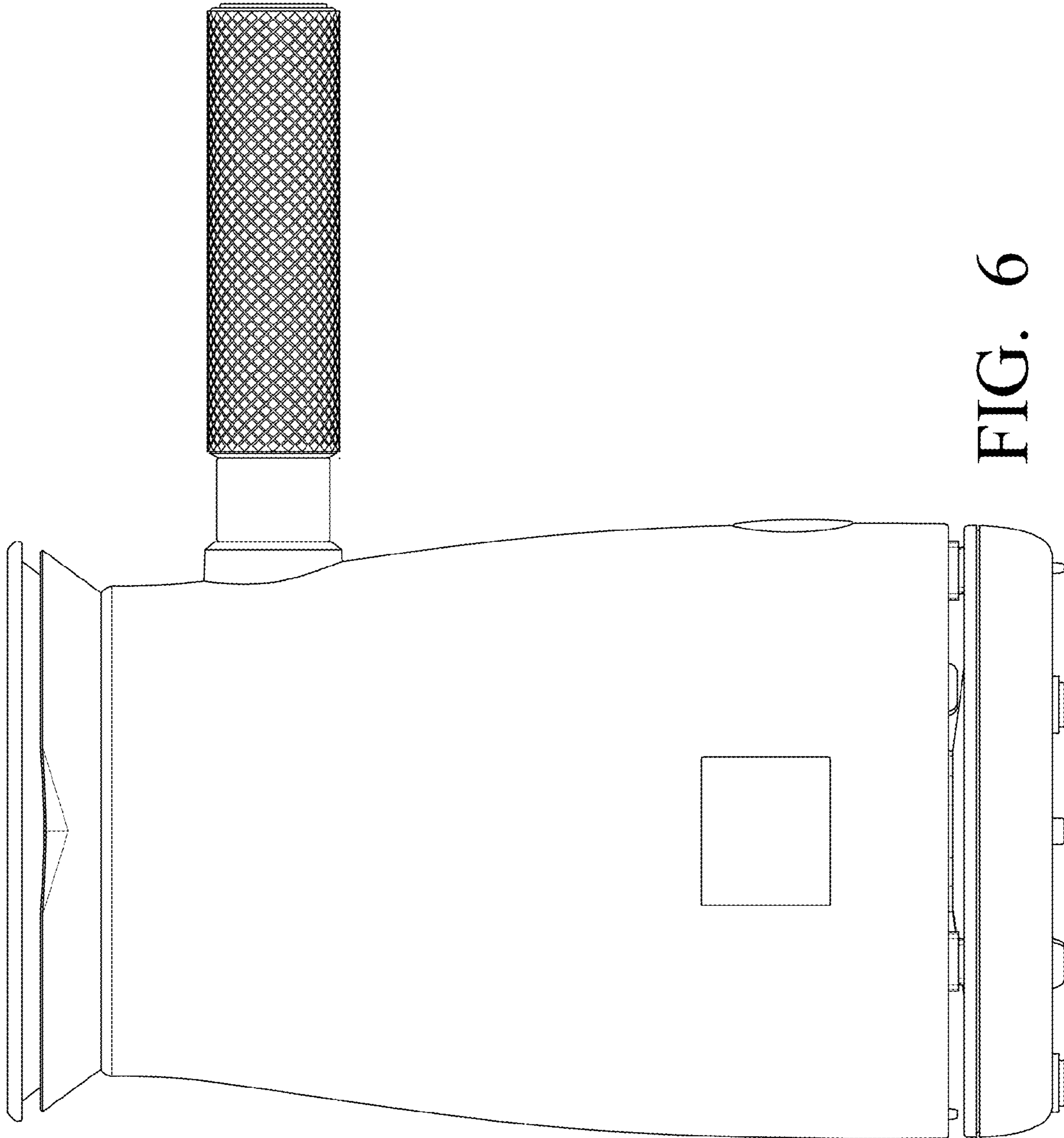


FIG. 6

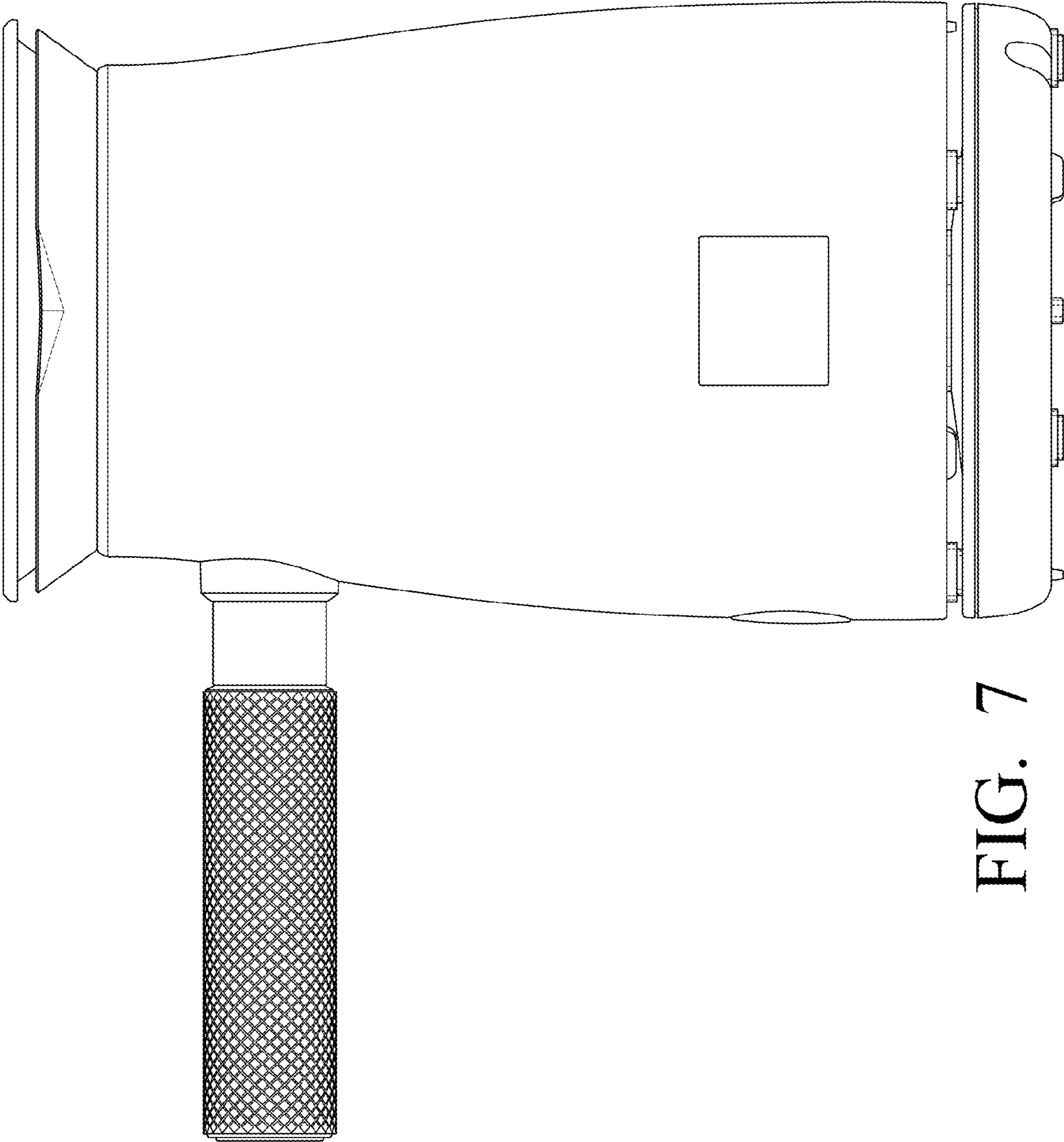


FIG. 7