

US00D869894S

(12) **United States Design Patent** (10) **Patent No.:** **US D869,894 S**  
**Nicoll et al.** (45) **Date of Patent:** **\*\* Dec. 17, 2019**

(54) **GRILL**  
(71) Applicant: **NewAge Products, Inc.**, Vaughan (CA)  
(72) Inventors: **David Wesley Nicoll**, Mississauga (CA); **Robert Vandenharm**, North York (CA); **Aaron Reesor**, Uxbridge (CA)  
(73) Assignee: **NEWAGE PRODUCTS, INC.**, Vaughan (CA)

D521,308 S 5/2006 Tseng  
D536,918 S \* 2/2007 Wood ..... D7/334  
D549,035 S \* 8/2007 Chung ..... D7/333  
D549,511 S 8/2007 Chung  
D571,605 S \* 6/2008 Chung ..... D7/334  
D592,618 S 5/2009 Lewis, II et al.  
D594,247 S 6/2009 Estephan  
D600,963 S 9/2009 Punzel et al.  
D601,137 S 9/2009 Koh  
D632,518 S 2/2011 Schmidt et al.  
D661,141 S 6/2012 Bao  
D665,201 S 8/2012 Gaska et al.

(\*\*) Term: **15 Years**

(21) Appl. No.: **29/626,150**

(22) Filed: **Nov. 15, 2017**

(51) **LOC (12) Cl.** ..... **07-02**

(52) **U.S. Cl.**  
USPC ..... **D7/332**

(58) **Field of Classification Search**  
USPC ..... D7/332-337, 351-353, 402-409,  
D7/339-340, 346-349, 362-367;  
126/25 R  
CPC ..... A47J 37/07-0781; A47J 37/0786; A47J  
33/00; A47J 37/067; A47J 37/0676; A23B  
4/044-056; F24B 1/202; F24B 1/205;  
F24C 3/14

See application file for complete search history.

(56) **References Cited**

**U.S. PATENT DOCUMENTS**

D194,137 S \* 11/1962 Jenn ..... D7/346  
D427,843 S 7/2000 Van Over  
D457,704 S 5/2002 Fiscus et al.  
D465,693 S \* 11/2002 Coleman ..... D7/334  
D476,188 S 6/2003 Wood  
D501,116 S 1/2005 Zhang  
D503,065 S 3/2005 Pai  
D512,081 S 11/2005 Chang

*Primary Examiner* — Brett Miller

(74) *Attorney, Agent, or Firm* — Howard & Howard  
Attorneys PLLC

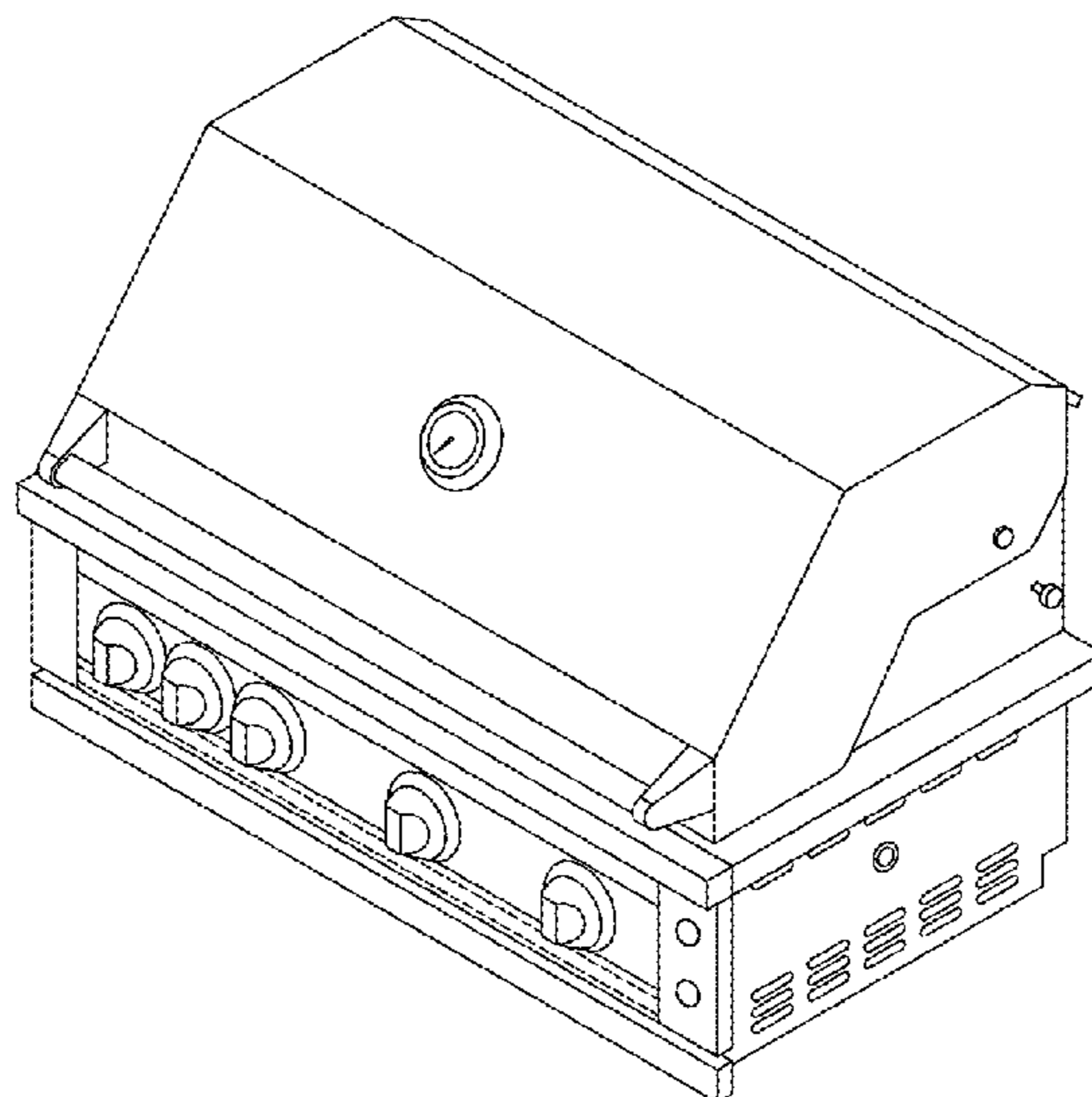
(57) **CLAIM**

The ornamental design for a grill, as shown and described.

**DESCRIPTION**

FIG. 1 is a perspective view of a first embodiment of a grill;  
FIG. 2 is a front elevational view of the grill of FIG. 1;  
FIG. 3 is a rear elevational view of the grill of FIG. 1;  
FIG. 4 is a left side elevational view of the grill of FIG. 1;  
FIG. 5 is a right side elevational view of the grill of FIG. 1;  
FIG. 6 is a top plan view of the grill of FIG. 1;  
FIG. 7 is a bottom plan view of the grill of FIG. 1;  
FIG. 8 is a perspective view of a second embodiment of a  
grill;  
FIG. 9 is a front elevational view of the grill of FIG. 8;  
FIG. 10 is a rear elevational view of the grill of FIG. 8;  
FIG. 11 is a left side elevational view of the grill of FIG. 8;  
FIG. 12 is a right side elevational view of the grill of FIG.  
8;  
FIG. 13 is a top plan view of the grill of FIG. 8; and,  
FIG. 14 is a bottom plan view of the grill of FIG. 8.

**1 Claim, 6 Drawing Sheets**



(56)

References Cited

U.S. PATENT DOCUMENTS

D665,596	S	8/2012	Shawcross et al.	
D667,652	S	9/2012	Wang	
D694,056	S *	11/2013	Dahle .....	D7/334
D703,466	S	4/2014	Franck et al.	
D704,981	S	5/2014	Gates	
D722,813	S *	2/2015	Chung .....	D7/337
D727,477	S	4/2015	Mayer et al.	
D728,282	S	5/2015	Tongue et al.	
D743,190	S	11/2015	Franck et al.	
9,357,879	B2 *	6/2016	Ortner .....	A47J 37/0676
D780,488	S	3/2017	Celano	
D805,322	S	12/2017	Johanson	
D809,847	S *	2/2018	Liu .....	D7/334
D826,291	S	8/2018	Lim et al.	
D833,207	S *	11/2018	Zemel .....	D7/363
D835,926	S	12/2018	Abatemarco, Jr.	
2006/0037599	A1 *	2/2006	Hill .....	A47J 37/0704 126/25 R
2008/0047209	A1	2/2008	Hinterholzer et al.	
2009/0178666	A1 *	7/2009	Cagle .....	A47J 37/0786 126/25 R
2009/0235918	A1 *	9/2009	Espina .....	F23Q 9/045 126/39 G
2014/0053823	A1 *	2/2014	Frantz .....	A47J 37/0763 126/276
2016/0208837	A1 *	7/2016	Chang .....	A47J 37/0704
2016/0360924	A1 *	12/2016	Bruin-Slot .....	A47J 37/0713
2018/0255970	A1 *	9/2018	Rudy .....	A47J 37/067

\* cited by examiner

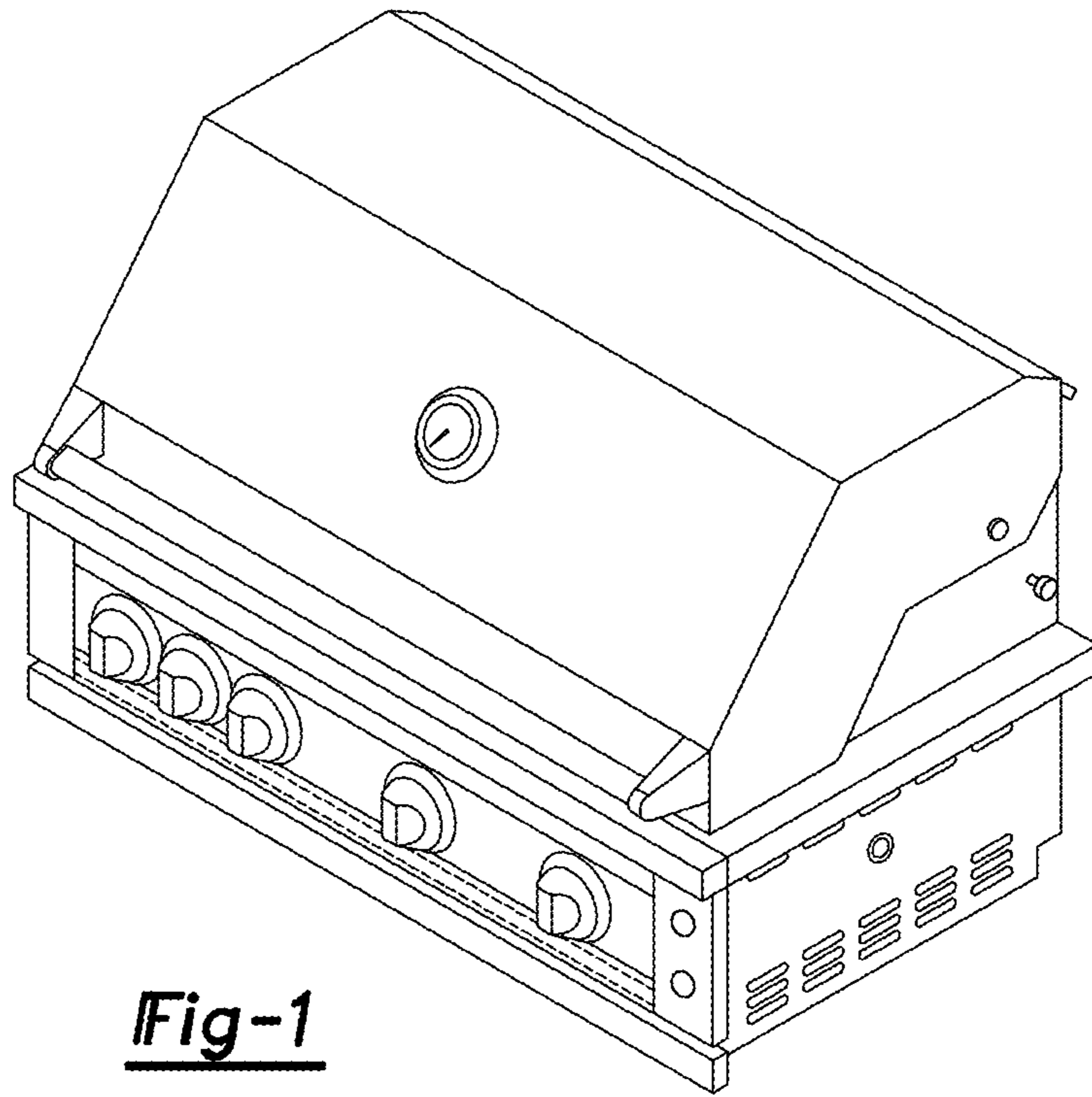


Fig-1

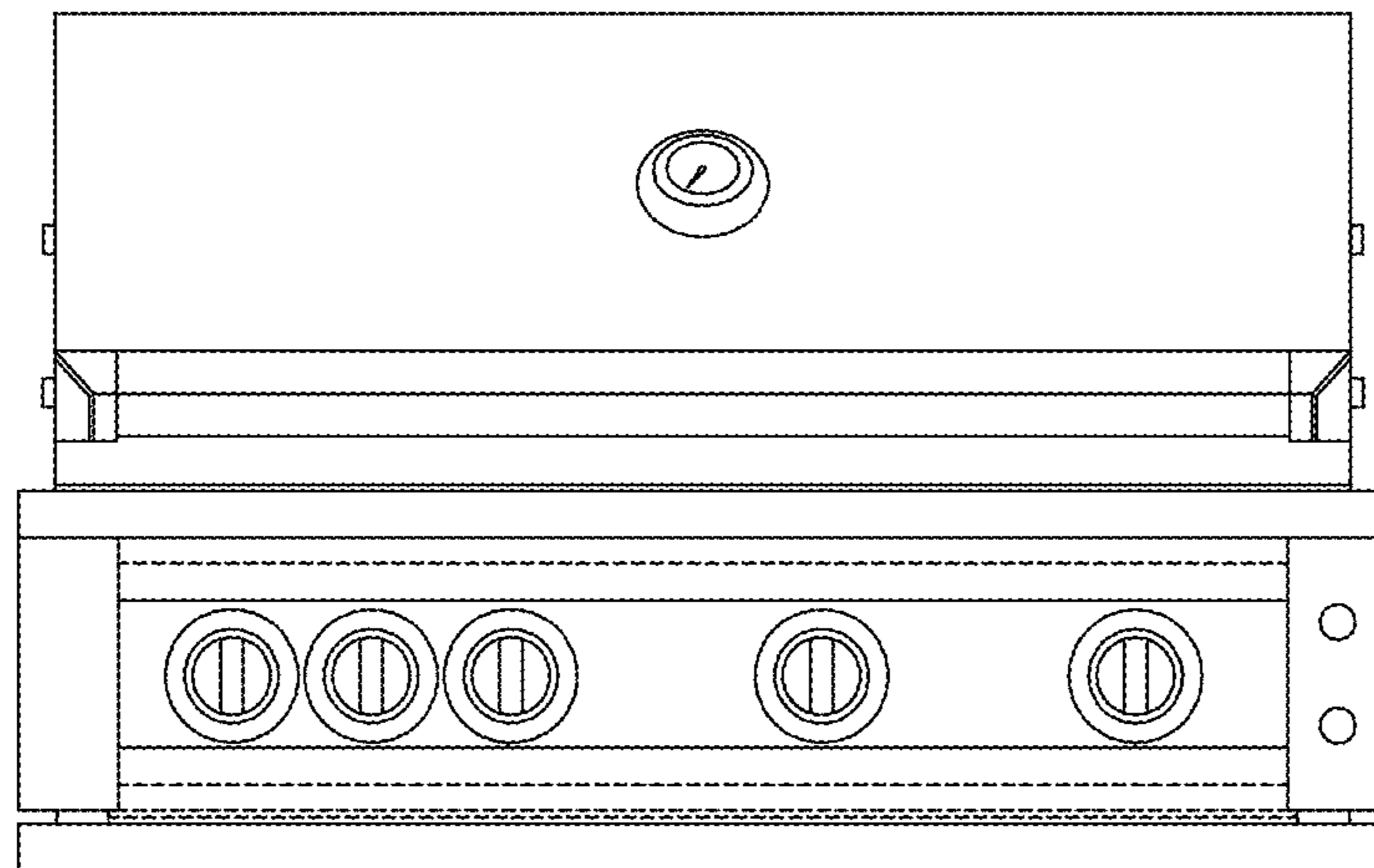


Fig-2

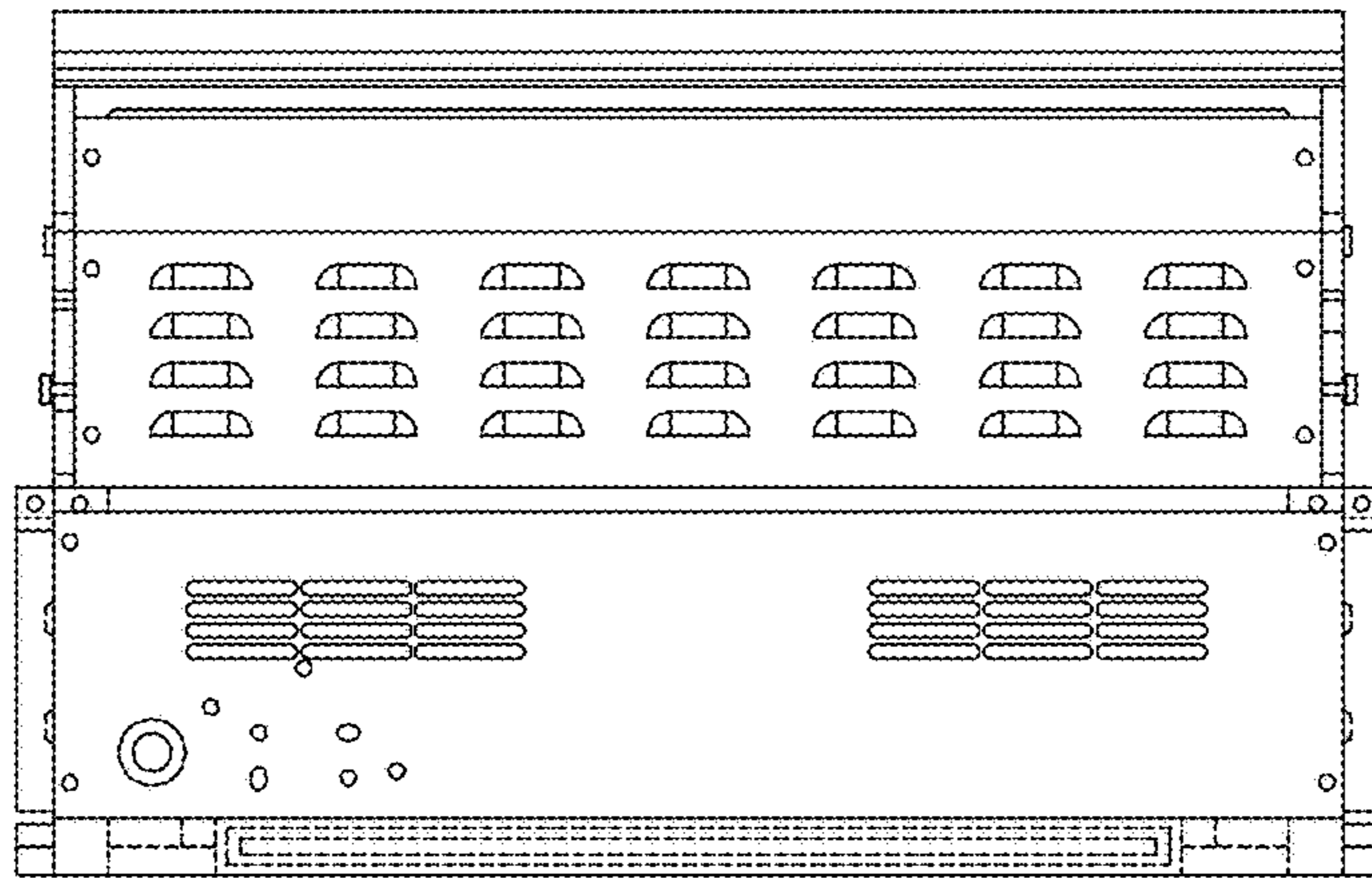


Fig-3

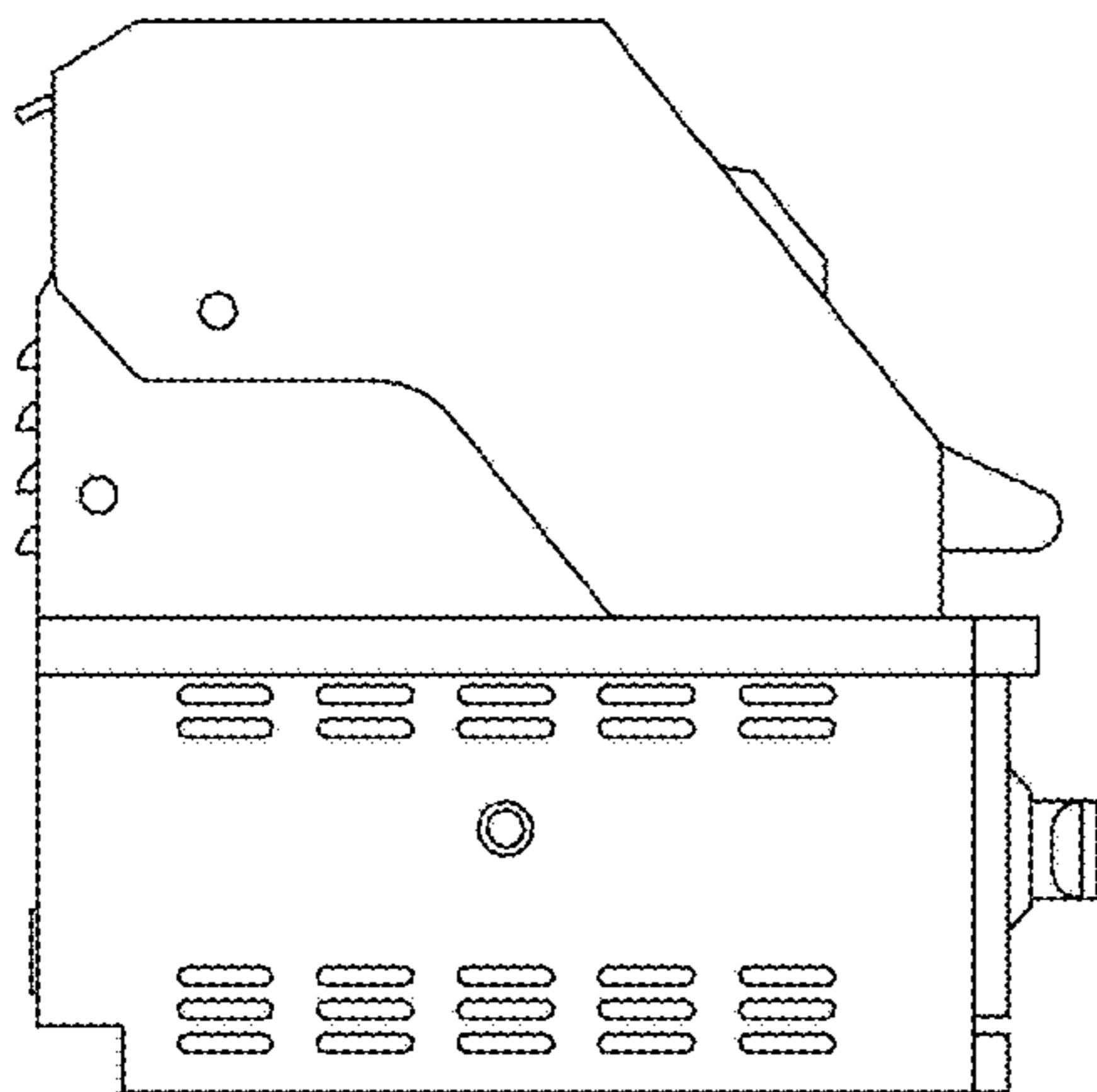


Fig-4

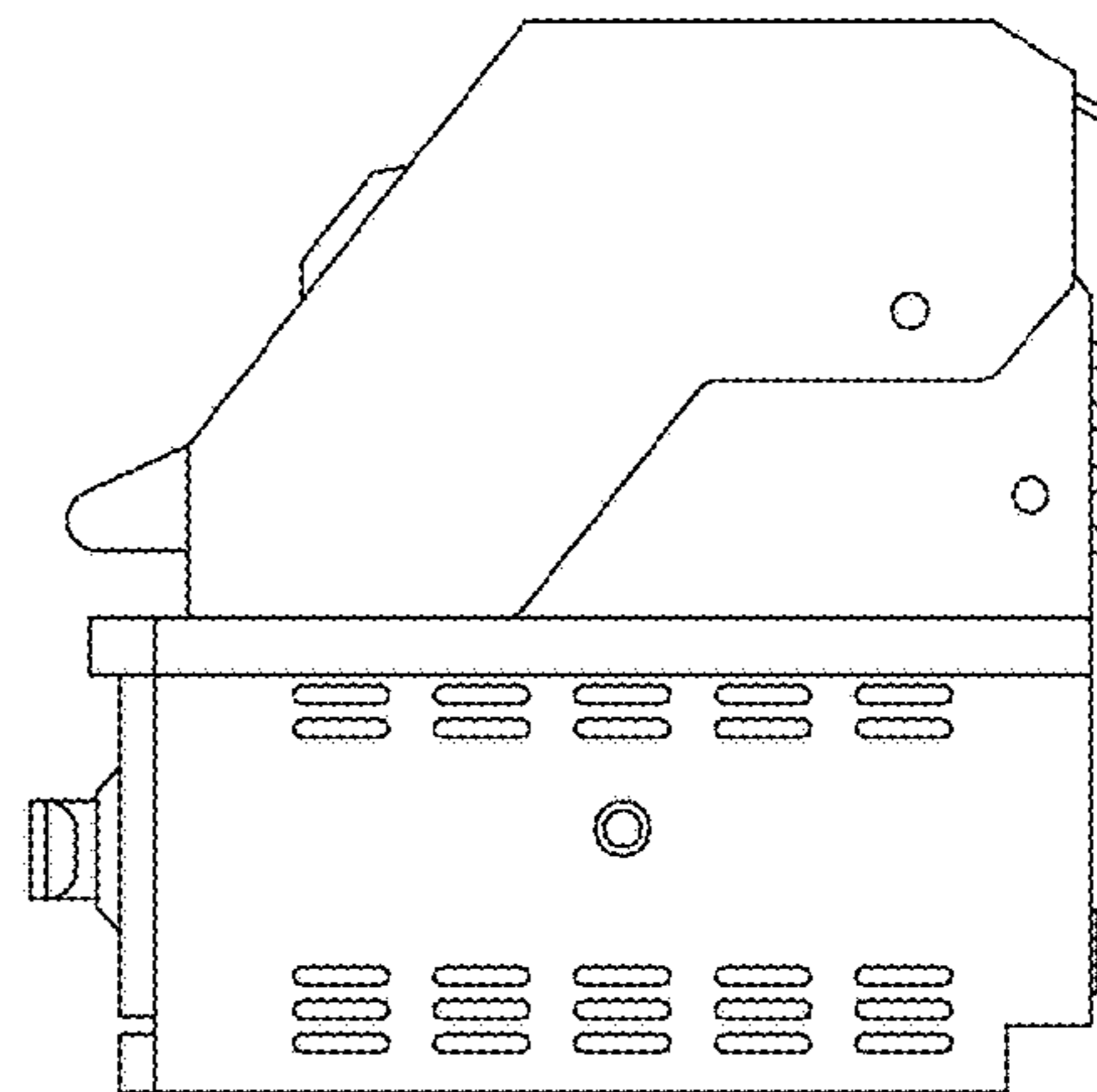


Fig-5

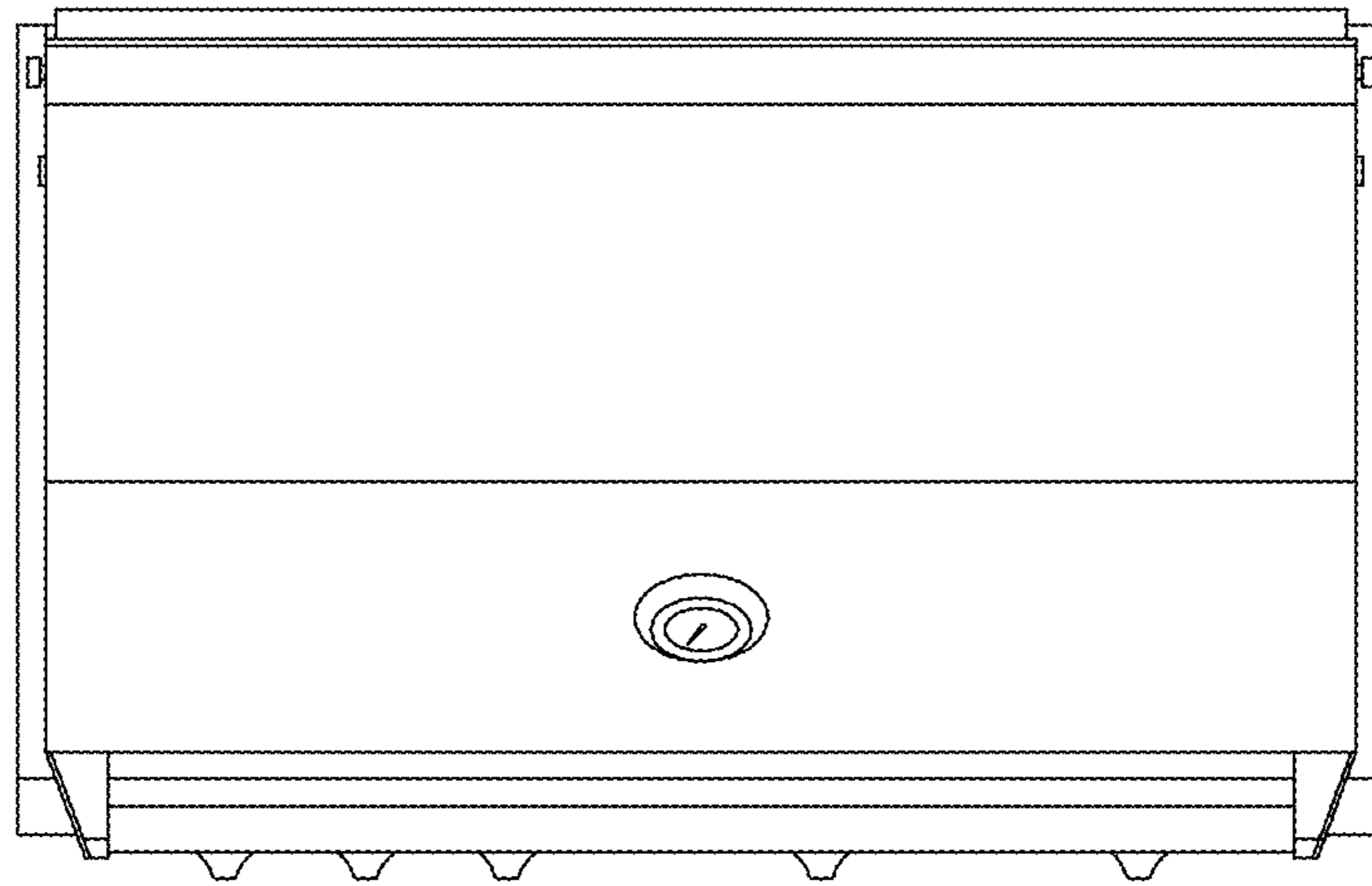


Fig-6

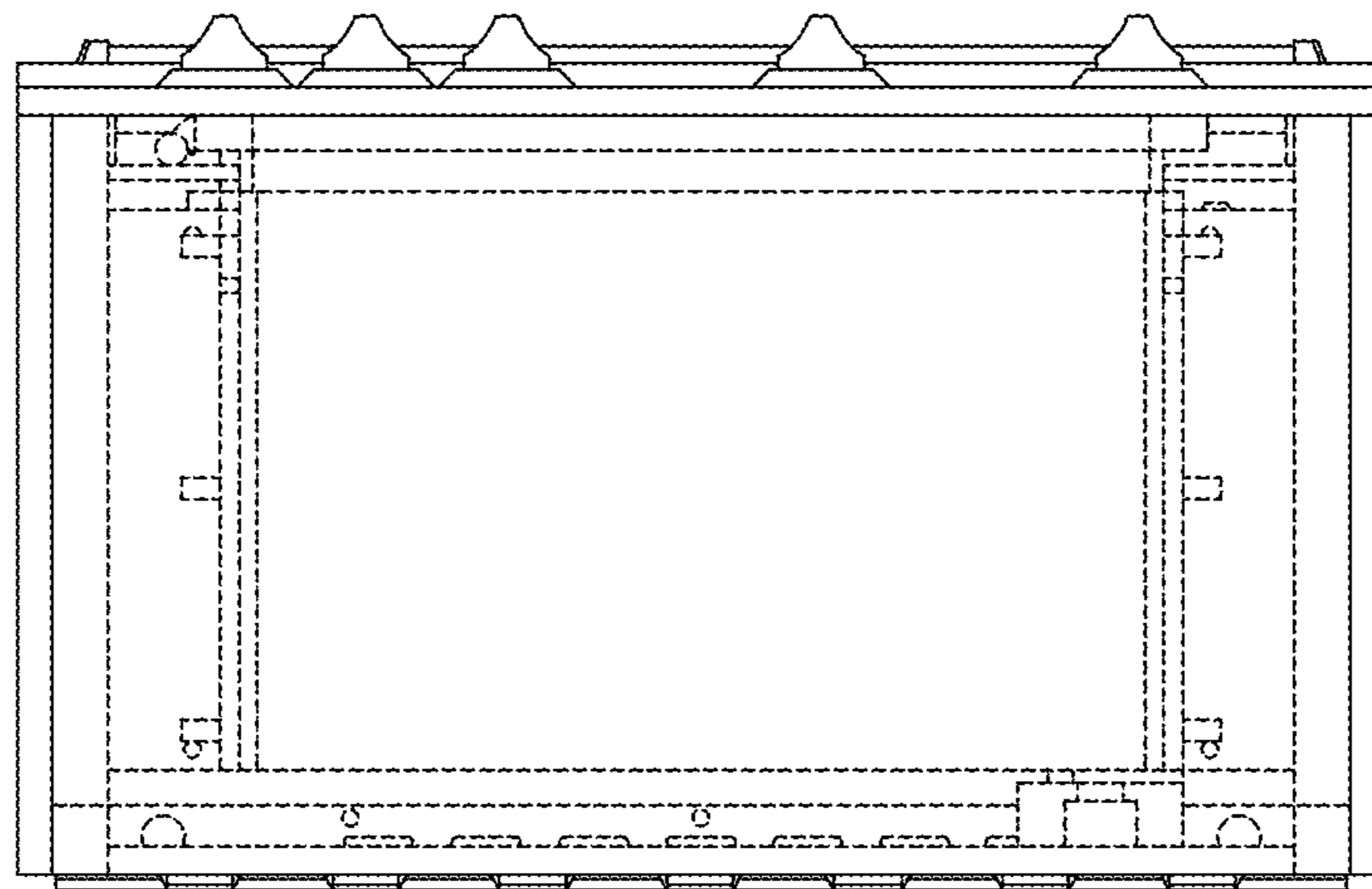


Fig-7

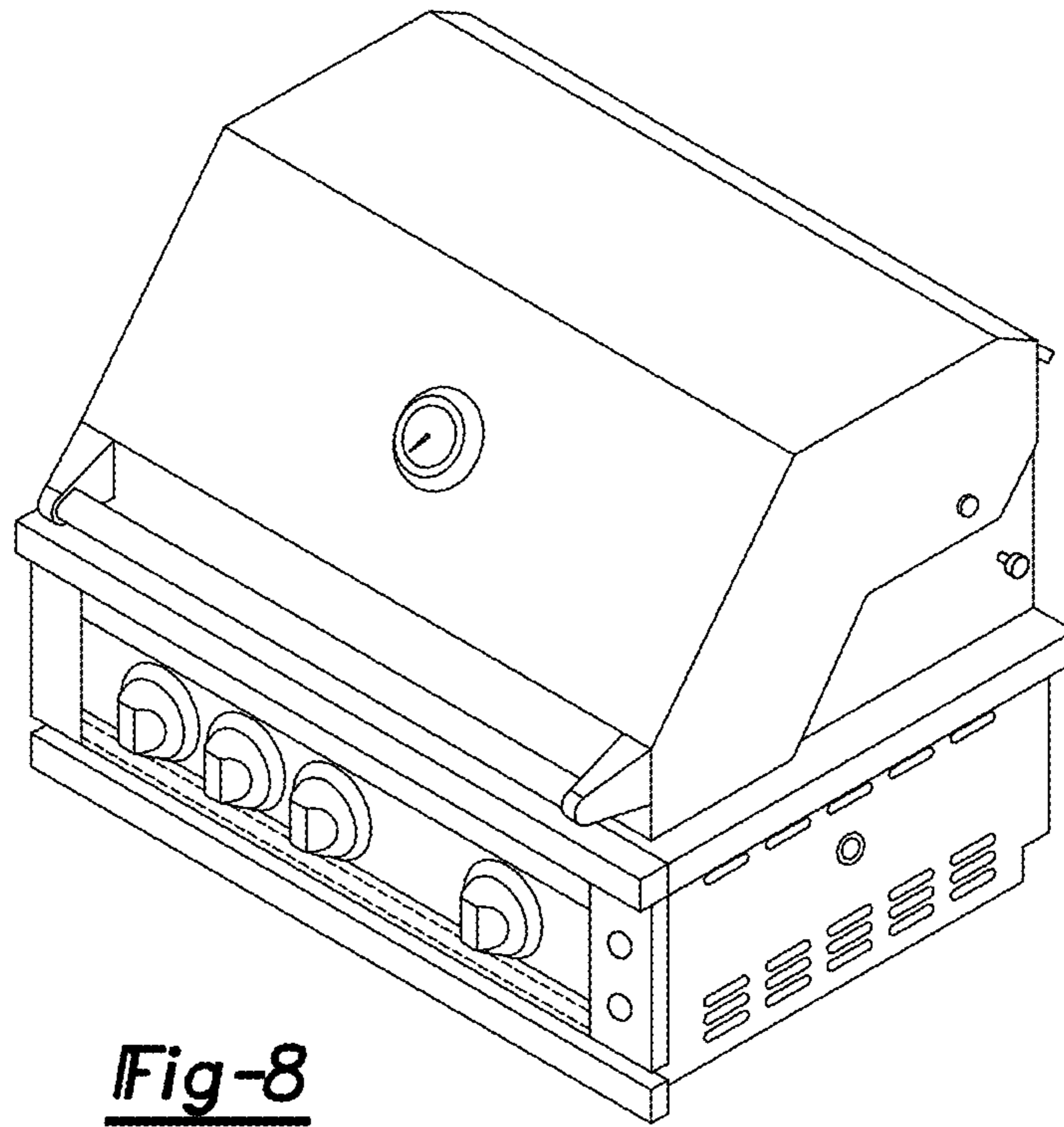


Fig-8

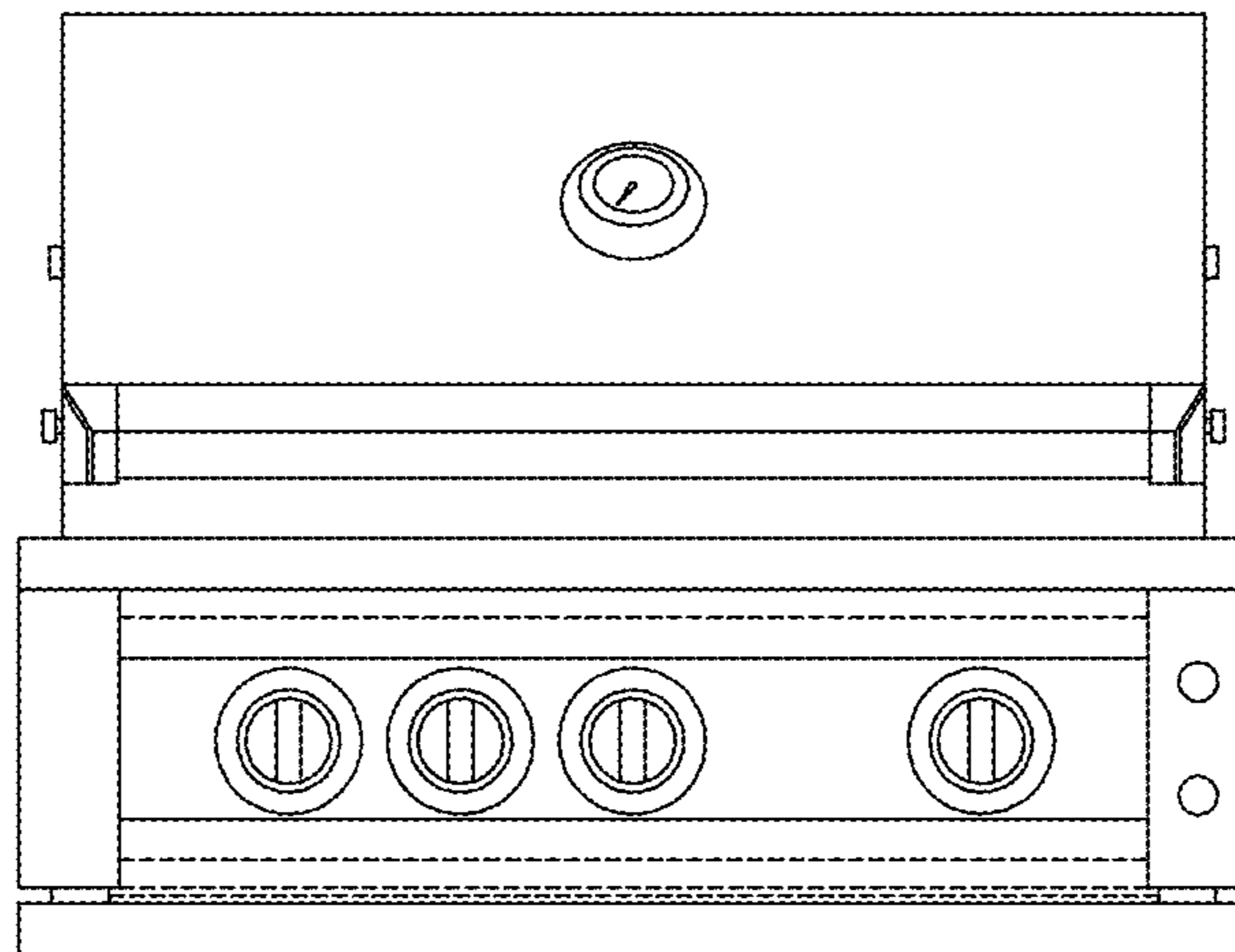


Fig-9

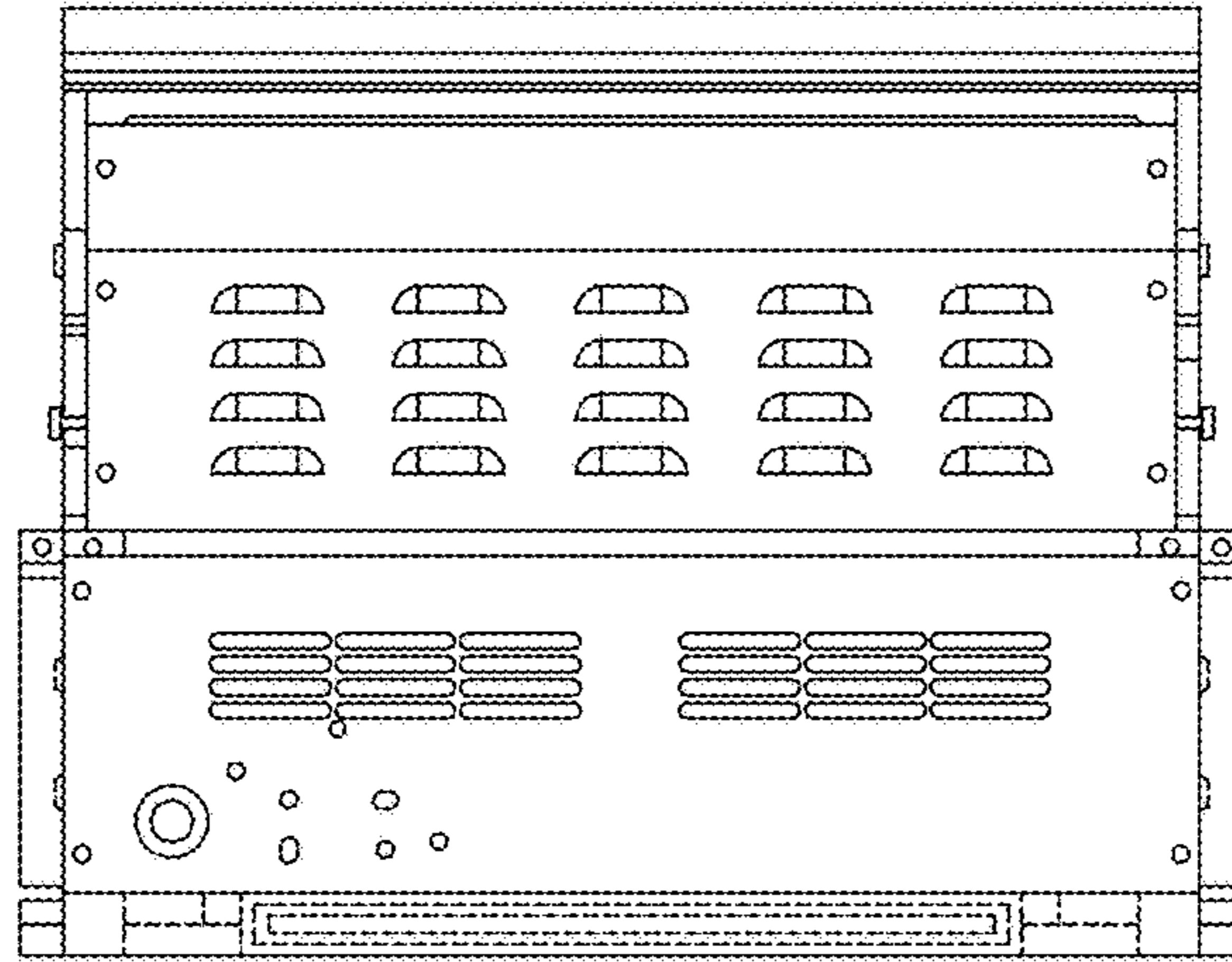


Fig-10

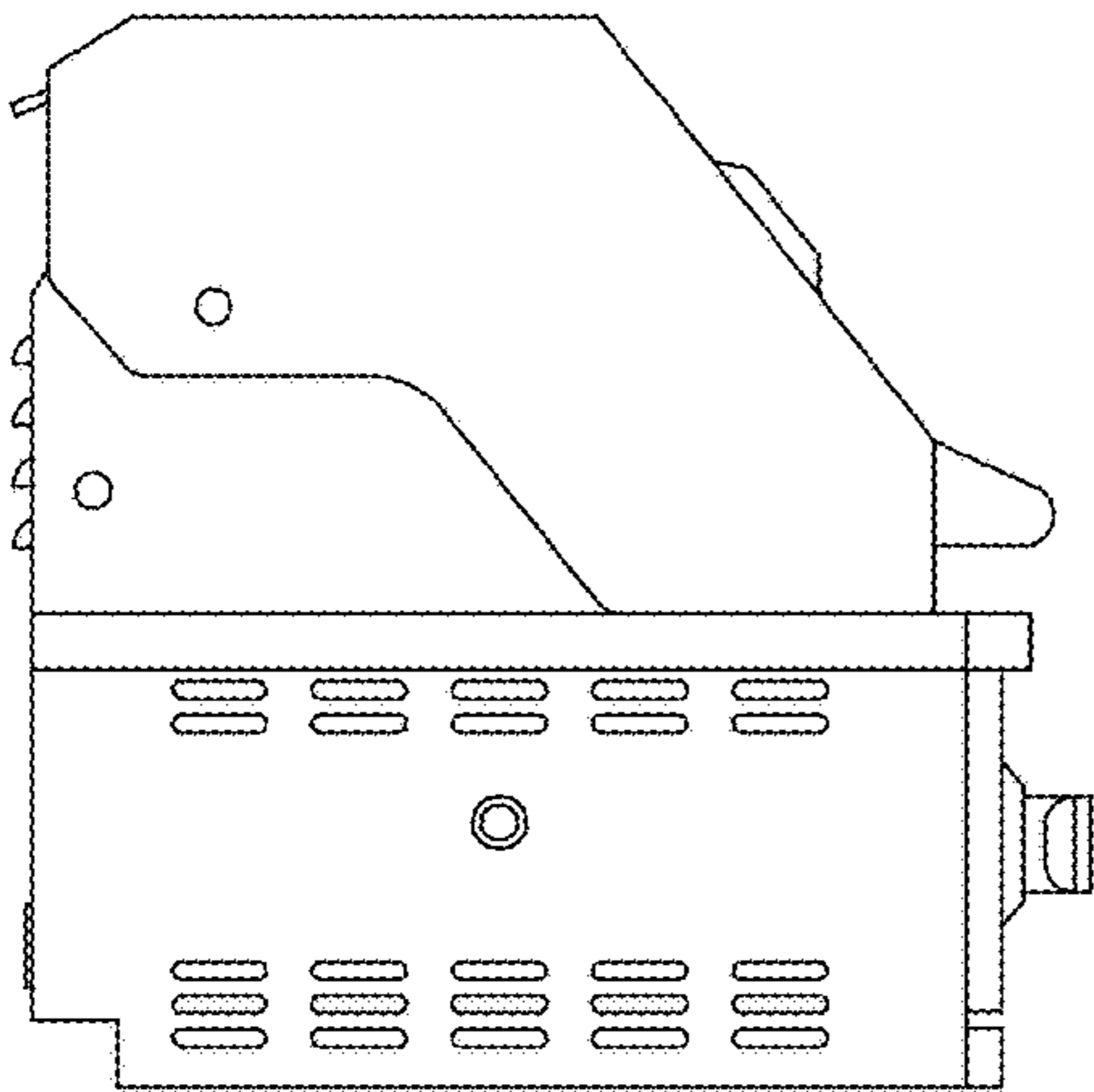


Fig-11

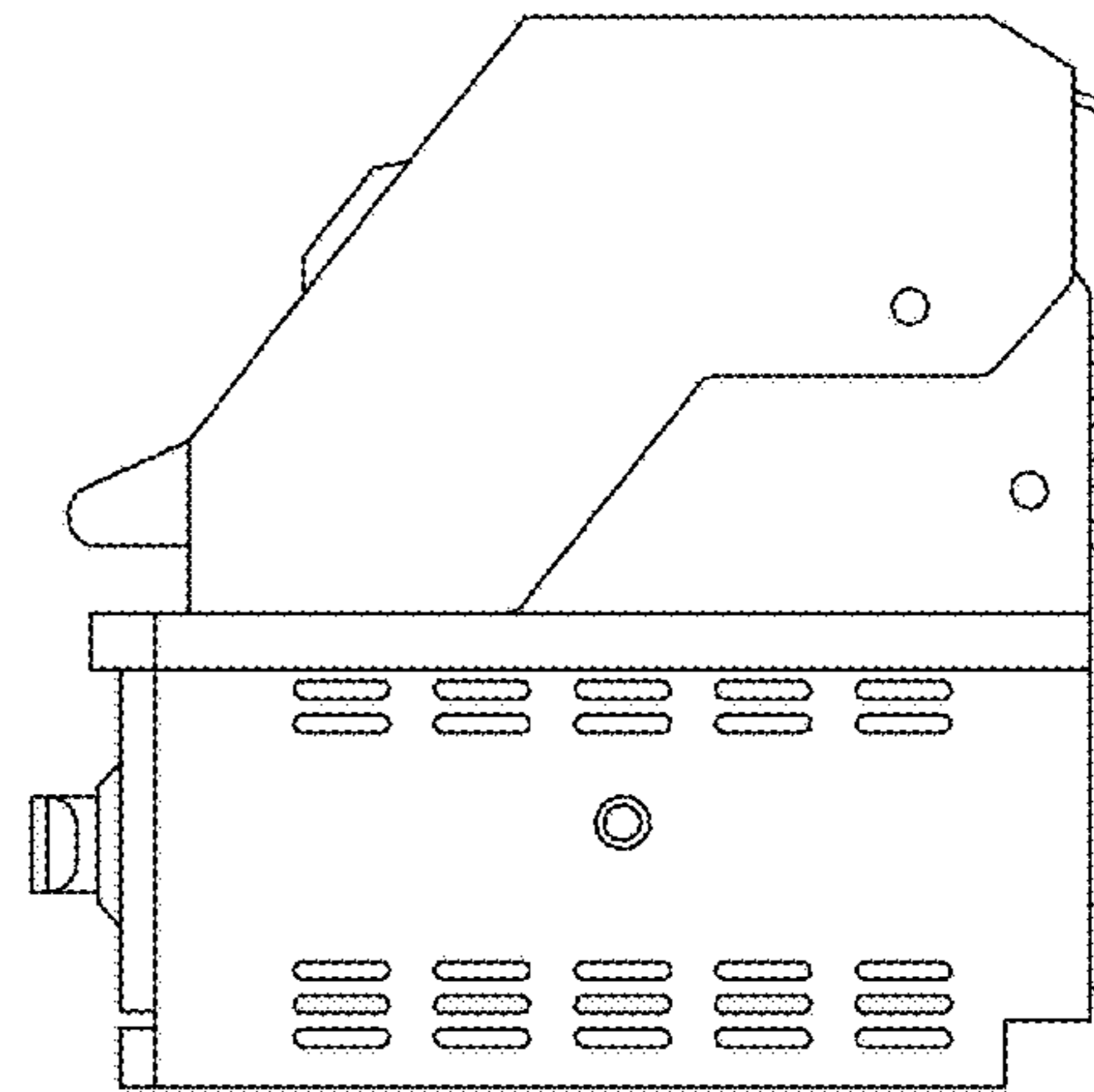


Fig-12

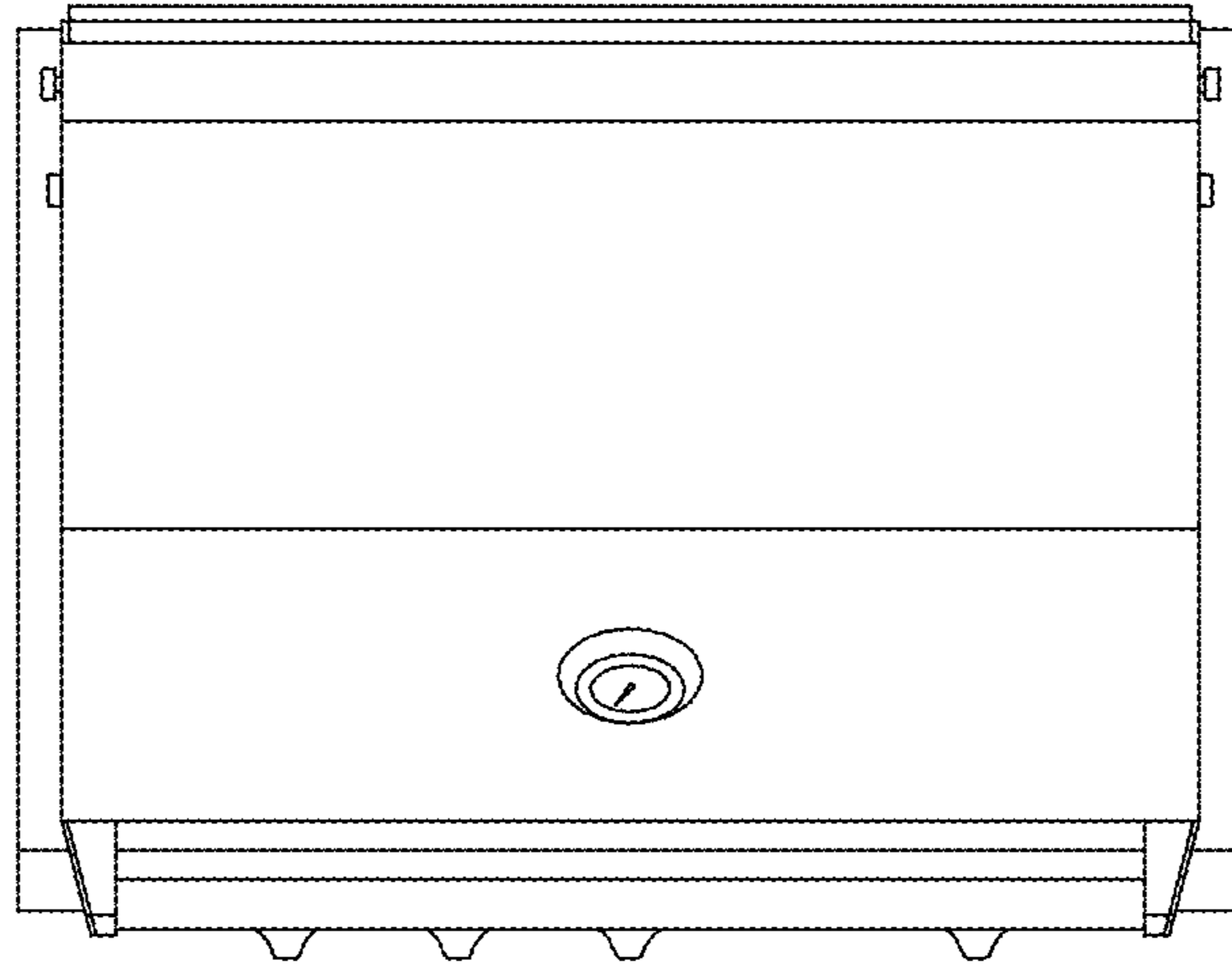


Fig-13

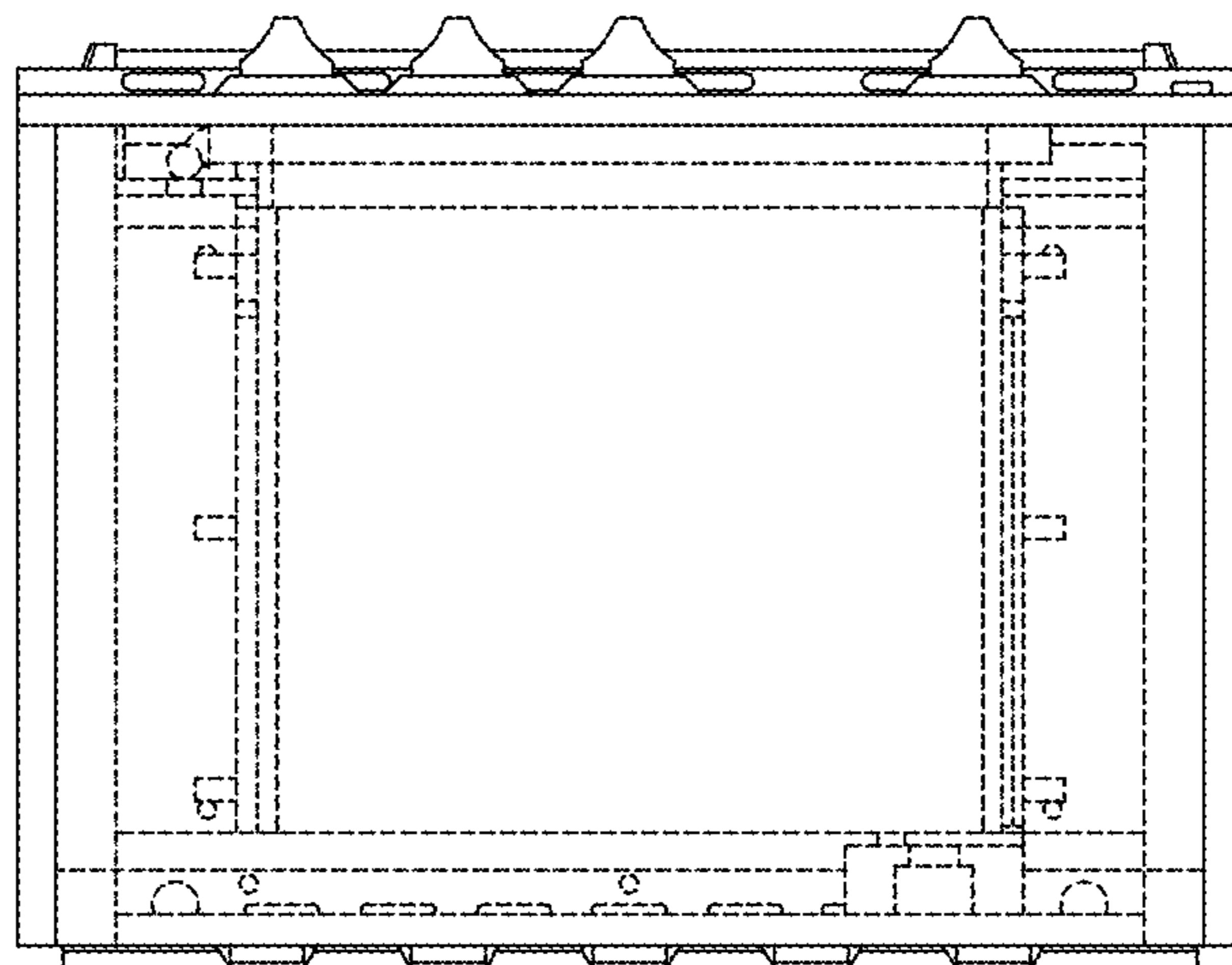


Fig-14