



US00D869893S

(12) **United States Design Patent** (10) **Patent No.:** **US D869,893 S**
Bodum (45) **Date of Patent:** **** Dec. 17, 2019**

(54) **JUG**
(71) Applicant: **PI-Design AG**, Triengen (CH)
(72) Inventor: **Jorgen Bodum**, Meggen (CH)
(73) Assignee: **PI-Design AG**, Triengen (CH)
(**) Term: **15 Years**
(21) Appl. No.: **29/656,142**
(22) Filed: **Jul. 10, 2018**

D584,557 S 1/2009 Bodum
D587,513 S 3/2009 Bodum
D730,675 S 6/2015 Williams et al.
D737,101 S * 8/2015 Wampold D7/516
D752,375 S * 3/2016 Maitland D7/317
D786,003 S 5/2017 Bodum
D807,676 S 1/2018 Bodum
D828,068 S * 9/2018 Tsui D7/313
D832,055 S * 10/2018 Rose D7/598
2011/0248037 A1 * 10/2011 Fung B65D 21/0219
220/592.2
2013/0284753 A1 * 10/2013 Kellmann B65F 1/02
220/666
2015/0291309 A1 * 10/2015 McGregor A45C 7/0036
220/573.1

(30) **Foreign Application Priority Data**

Feb. 19, 2018 (WO) DM/099919

(51) **LOC (12) Cl.** **07-01**

(52) **U.S. Cl.**
USPC **D7/319**

(58) **Field of Classification Search**
USPC D7/316-321, 378, 384, 598, 600, 619.1,
D7/622; D9/516, 544, 545, 549
CPC A47J 31/00; A47J 27/21; A47J 27/21008;
A47G 19/22; A47G 23/0241; A47G
2016/2277; A47G 19/14
See application file for complete search history.

(56) **References Cited**

U.S. PATENT DOCUMENTS

2,747,387 A 5/1956 Sweem
D227,134 S 6/1973 Gulotta
D347,763 S 6/1994 Kleckauskas et al.
5,384,138 A * 1/1995 Robbins, III B29C 53/08
426/111
D479,090 S 9/2003 Backes et al.
D553,910 S 10/2007 Bodum
D553,911 S 10/2007 Bodum
D565,902 S 4/2008 Bodum

OTHER PUBLICATIONS

PI-Design AG, U.S. Appl. No. 29/656,144, filed Jul. 10, 2018.

* cited by examiner

Primary Examiner — Derrick E Holland

Assistant Examiner — Andrew Kerr

(74) *Attorney, Agent, or Firm* — McDonnell Boehnen
Hulbert & Berghoff LLP

(57) **CLAIM**

The ornamental design for a jug, as shown and described.

DESCRIPTION

FIG. 1 is a perspective view of a jug showing my new design;

FIG. 2 is a front view thereof;

FIG. 3 is a rear view thereof;

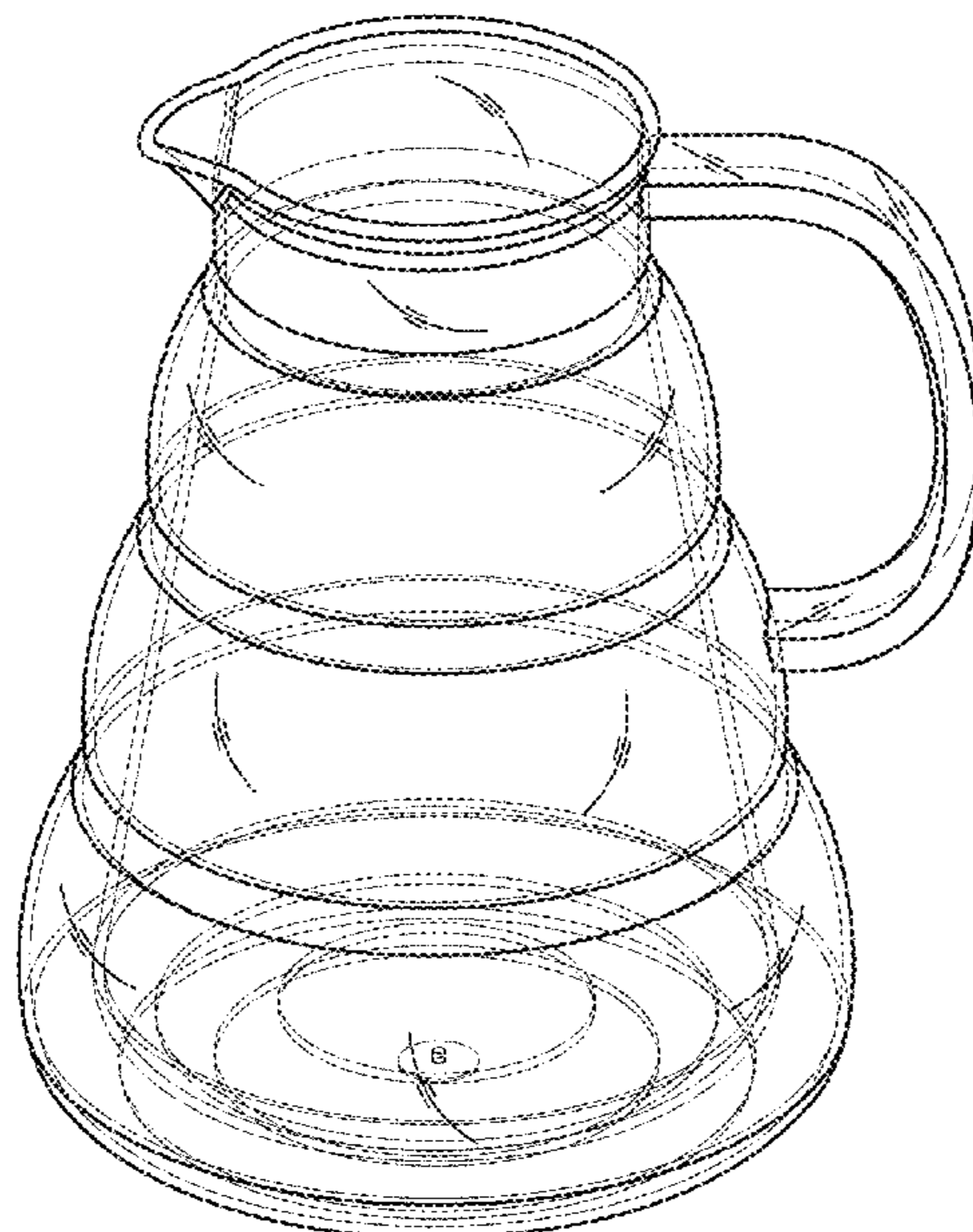
FIG. 4 is a left side view thereof;

FIG. 5 is a right side view thereof;

FIG. 6 is a top view thereof; and,

FIG. 7 is a bottom view thereof.

1 Claim, 7 Drawing Sheets



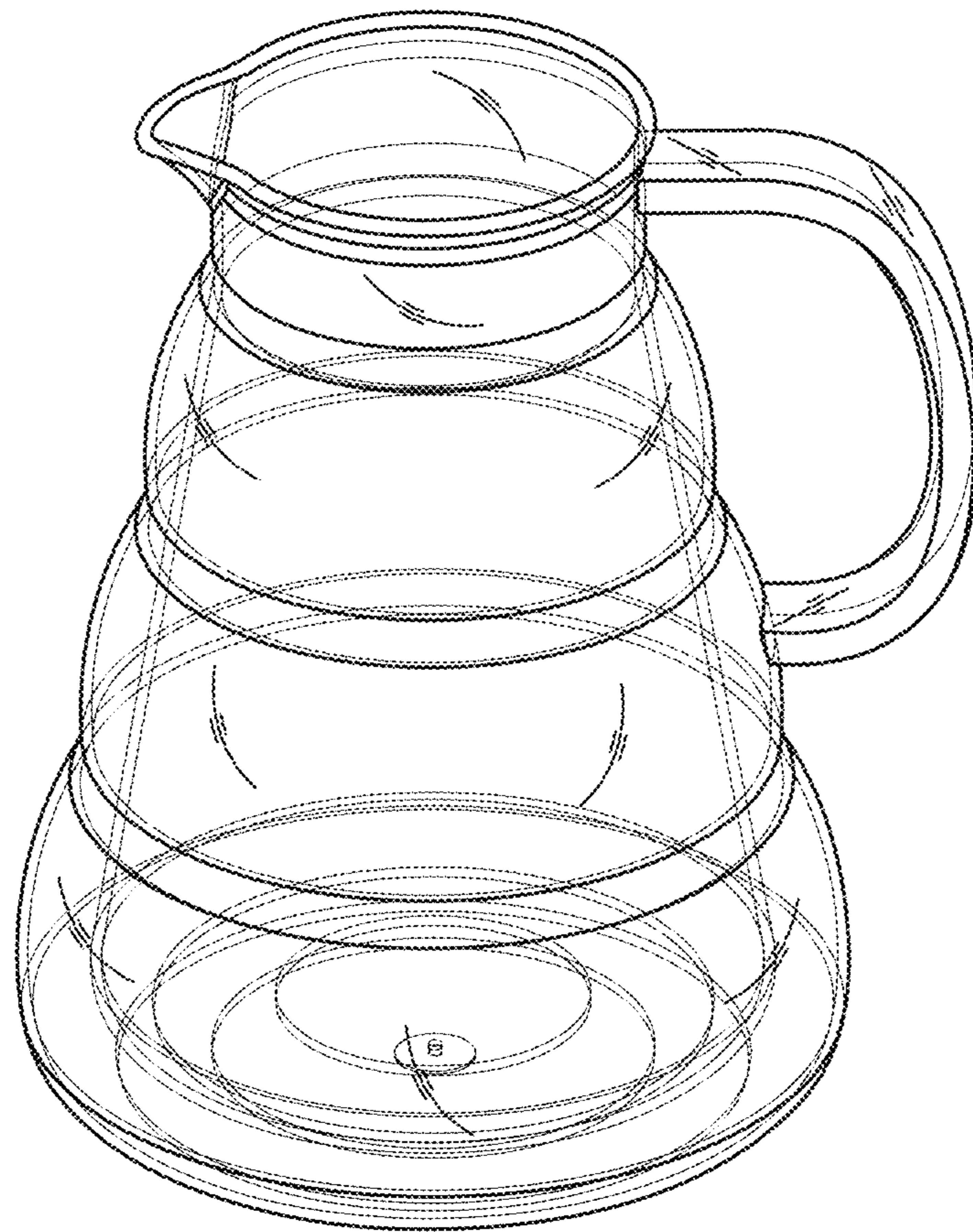


FIG. 1

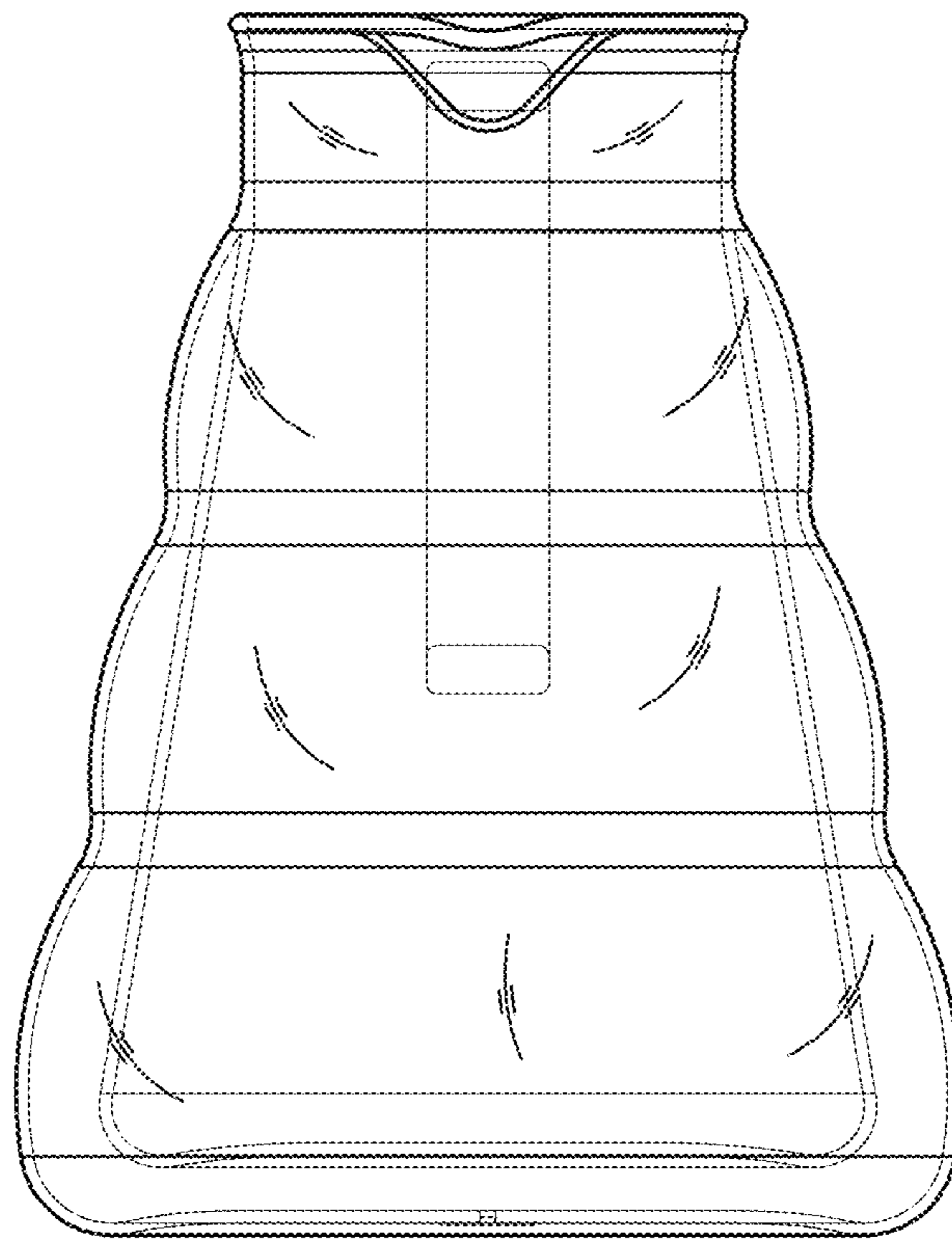


FIG. 2

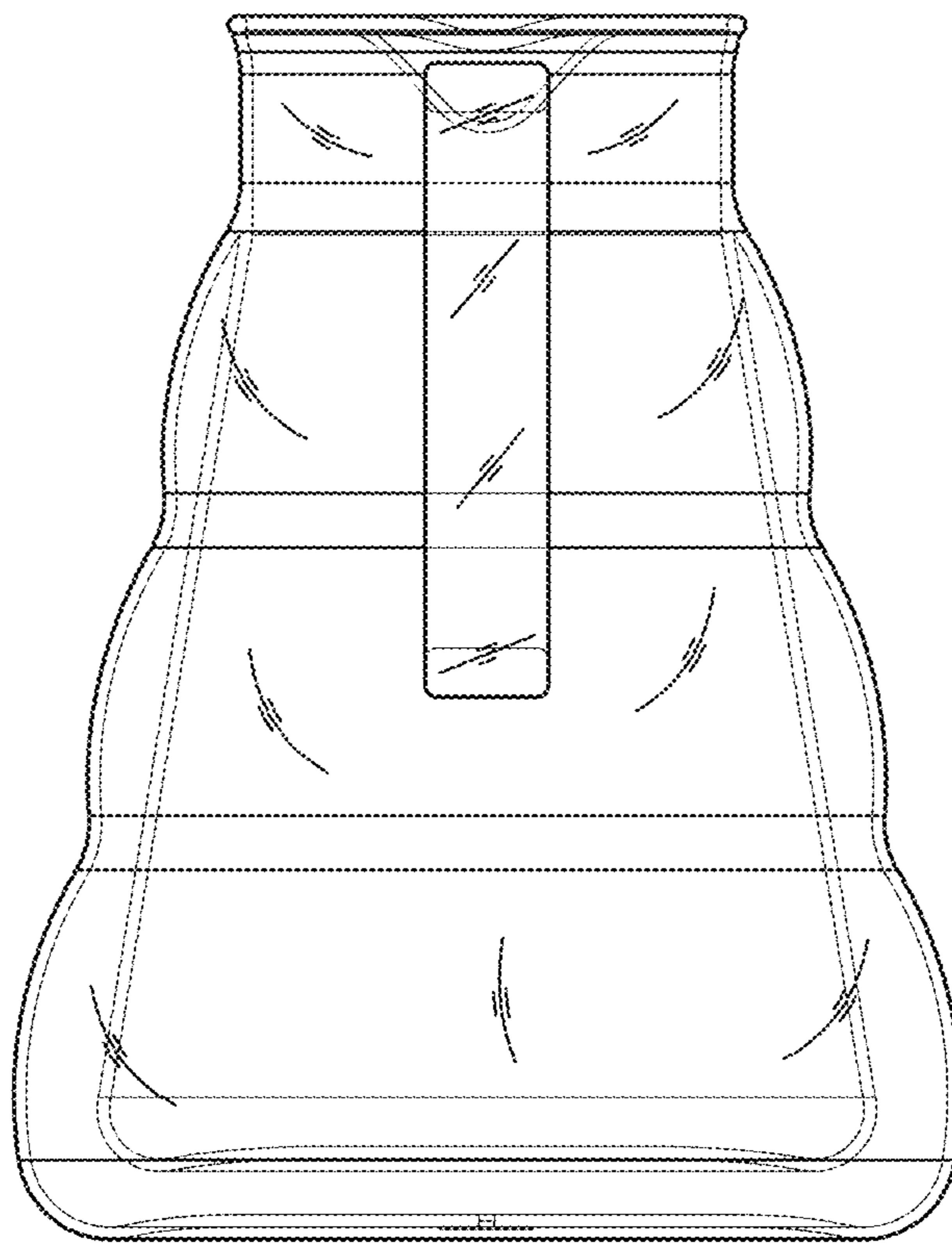


FIG. 3

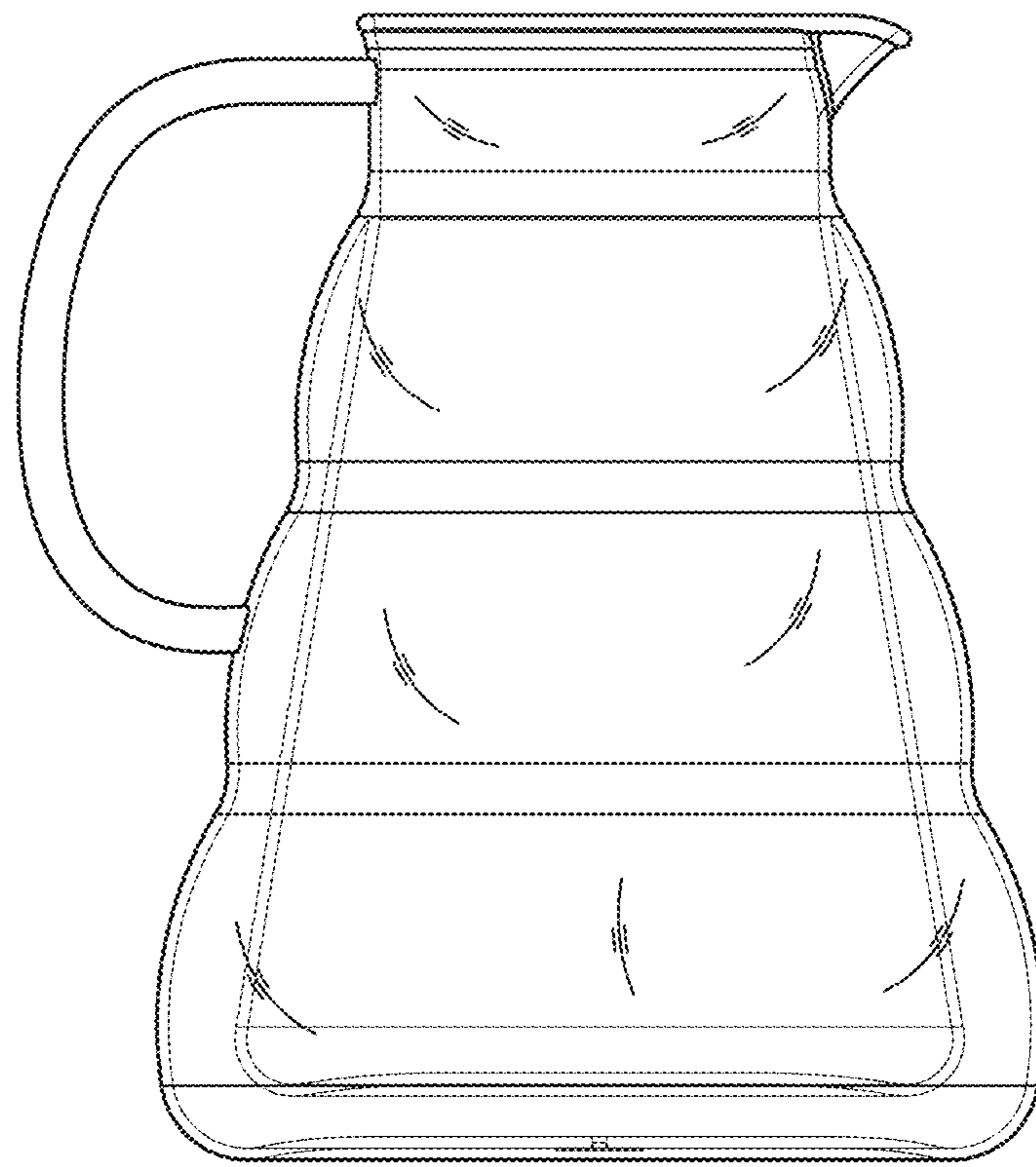


FIG. 4

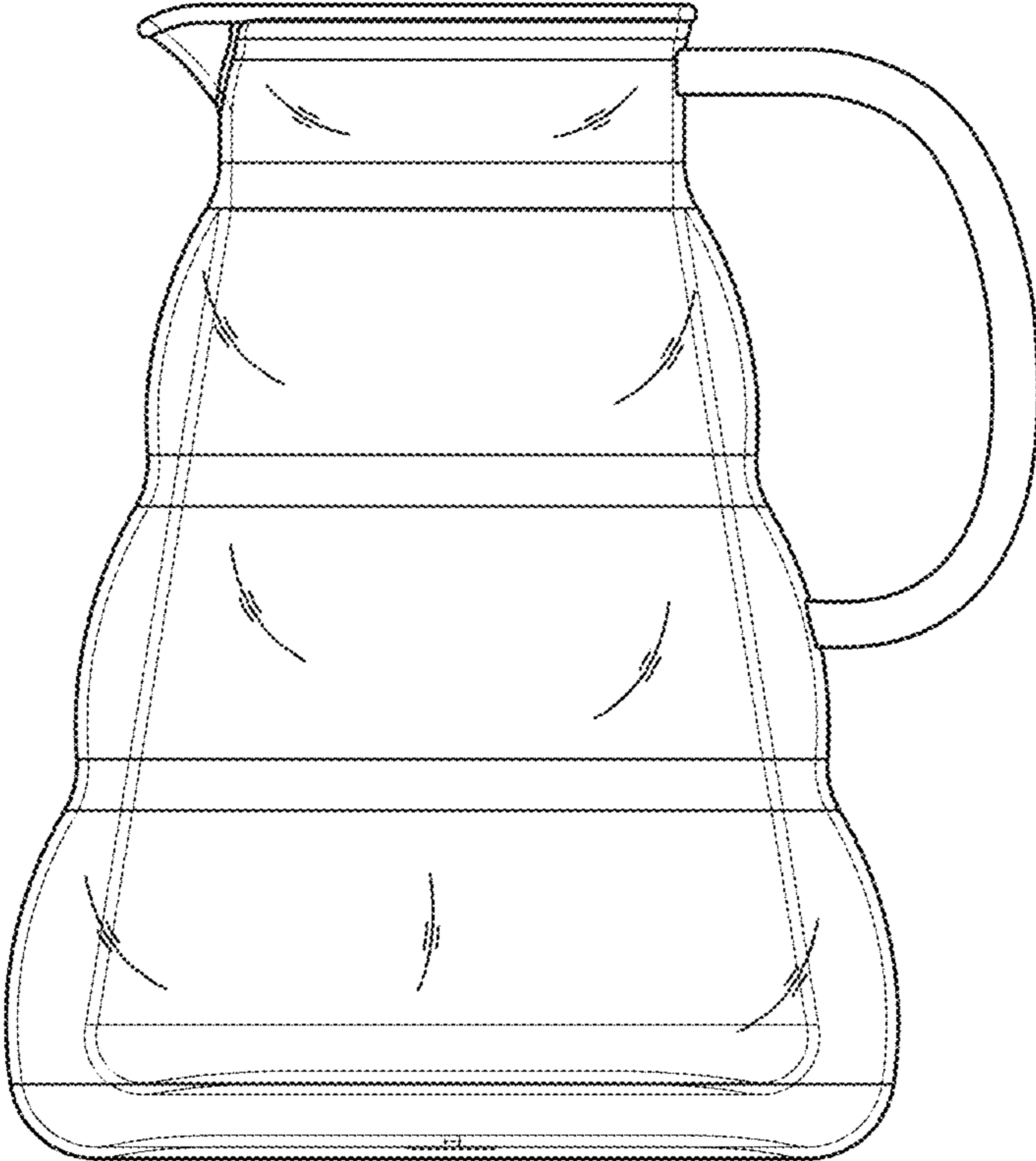


FIG. 5

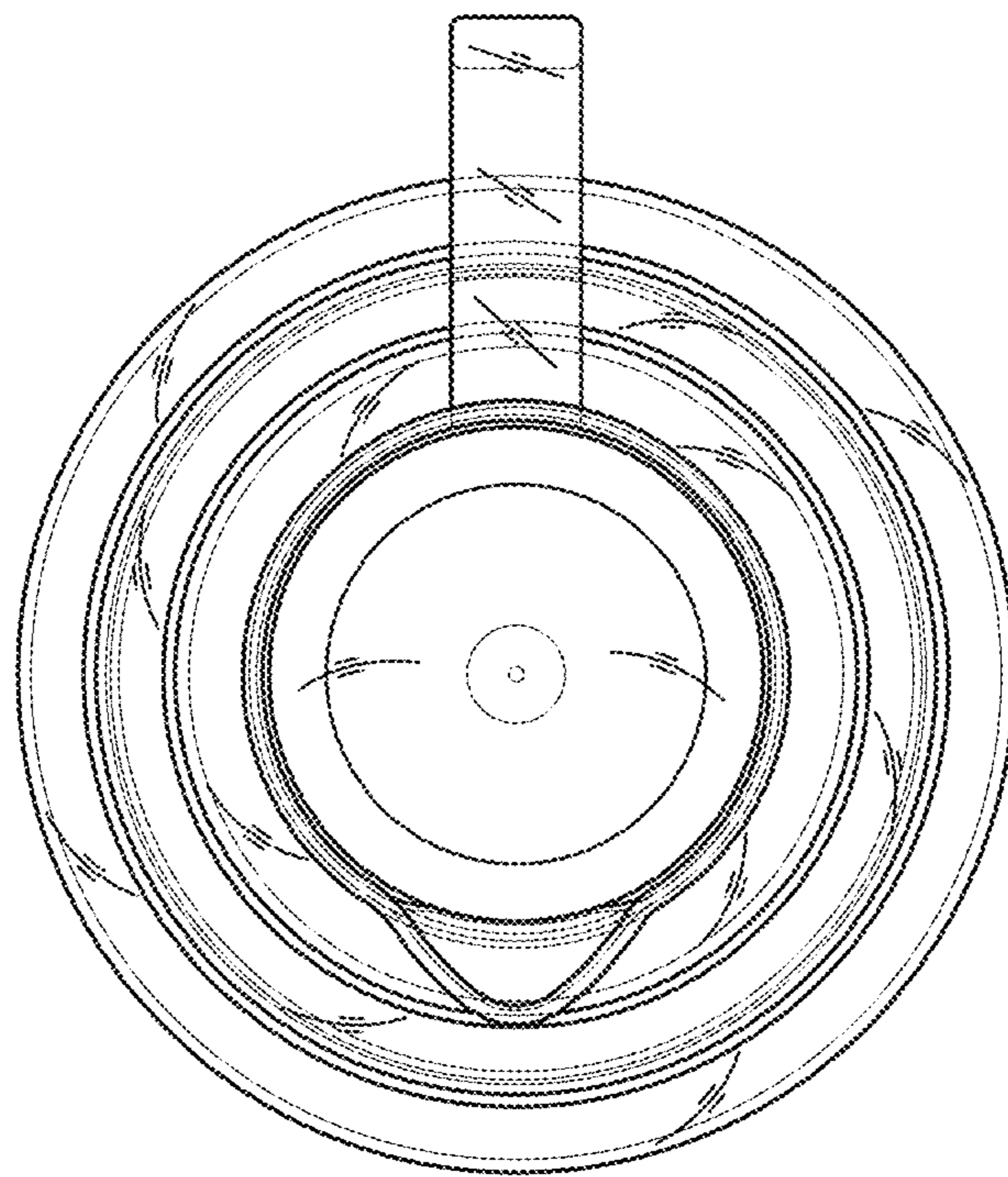


FIG. 6

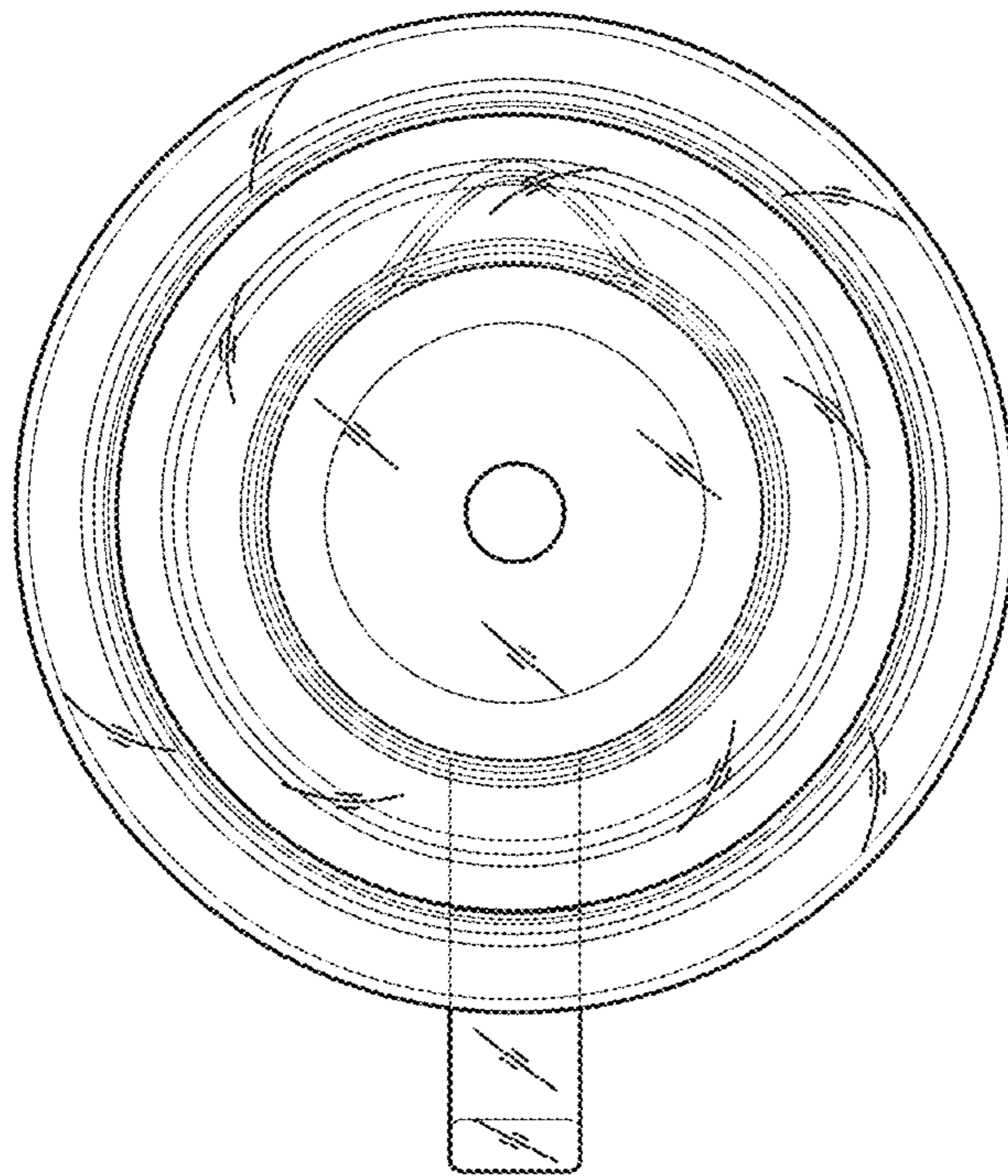


FIG. 7