

US00D869888S

(12) **United States Design Patent**
Iulita

(10) **Patent No.:** **US D869,888 S**

(45) **Date of Patent:** **** Dec. 17, 2019**

(54) **CHAIR BASE**

(71) Applicant: **STYLGAME S.R.L.**, Spilimbergo
(Pordenone) (IT)

(72) Inventor: **Luigi Iulita**, Spilimbergo (IT)

(**) Term: **15 Years**

(21) Appl. No.: **29/602,823**

(22) Filed: **May 3, 2017**

(30) **Foreign Application Priority Data**

Dec. 15, 2016 (EM) 003518703-0001

(51) **LOC (12) Cl.** **06-01**

(52) **U.S. Cl.**
USPC **D6/708.21**

(58) **Field of Classification Search**
USPC D6/364, 367, 567, 574, 627, 704, 708.21
CPC A47C 15/004; A47C 7/004; G07F 17/3216
See application file for complete search history.

(56) **References Cited**

U.S. PATENT DOCUMENTS

D340,142 S * 10/1993 Totoro D6/367
D349,820 S * 8/1994 Schaevitz D6/364

D559,328 S * 1/2008 Rasmussen D21/326
D612,433 S * 3/2010 Mori D21/326
7,832,799 B2 * 11/2010 Davis, Jr. A47C 15/004
248/500
D742,152 S * 11/2015 Iulita D6/708.21
9,532,655 B2 * 1/2017 Iulita A47C 9/022
D792,716 S * 7/2017 Patir D6/356
D793,110 S * 8/2017 Patir D6/356
2011/0168077 A1 * 7/2011 Bostrom A47C 9/022
114/363

* cited by examiner

Primary Examiner — Deanna L Pratt
(74) *Attorney, Agent, or Firm* — Themis Law

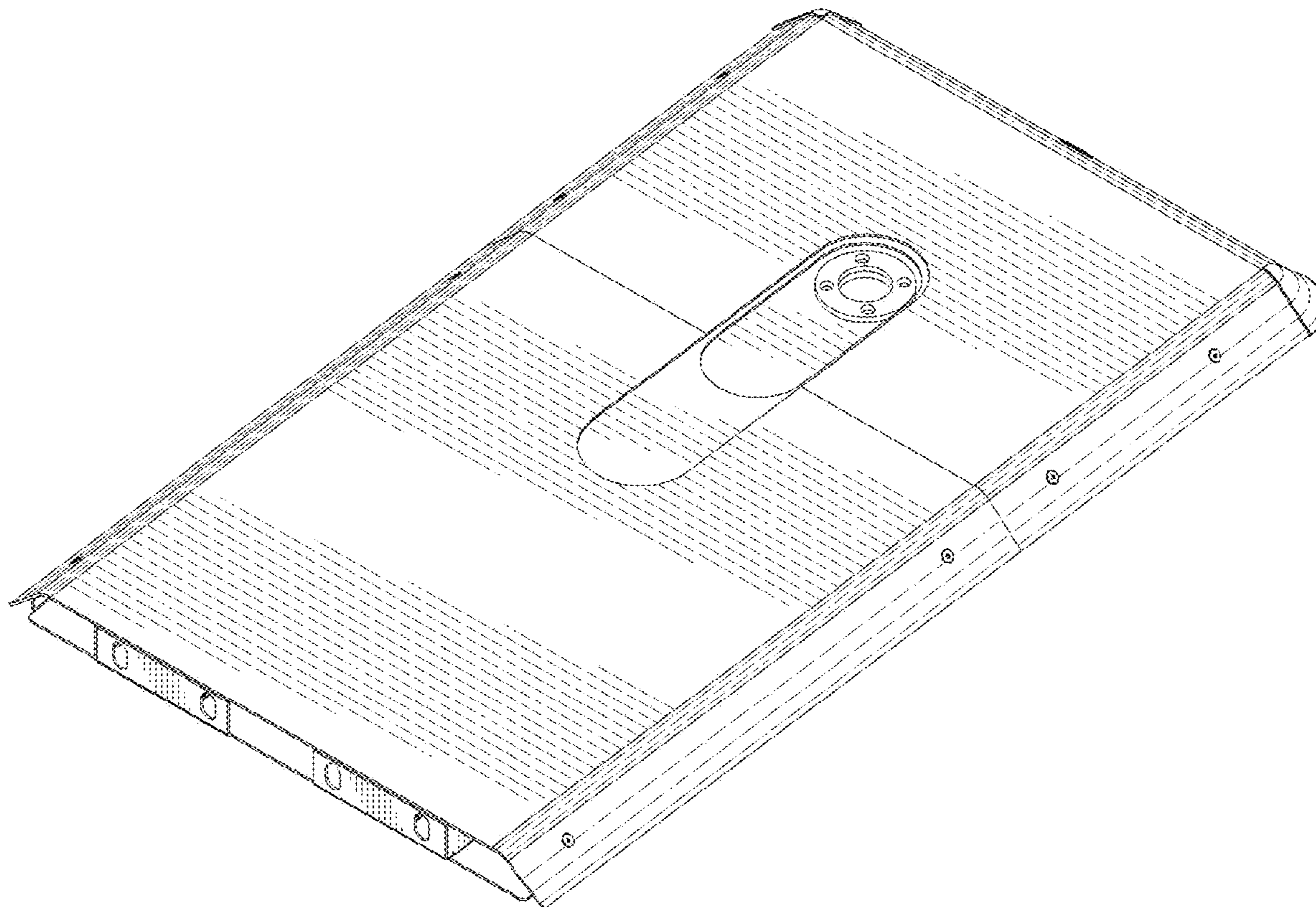
(57) **CLAIM**

The ornamental design for a chair base, as shown and described.

DESCRIPTION

FIG. 1 is a perspective view of a chair base showing my new design;
FIG. 2 is a front elevational view thereof;
FIG. 3 is a top plan view thereof;
FIG. 4 is a bottom plan view thereof;
FIG. 5 is a right side elevational view thereof, the left side being a mirror image; and,
FIG. 6 is a rear elevational view thereof.
The broken lines illustrate portions of the chair base that form no part of the claimed design.

1 Claim, 6 Drawing Sheets



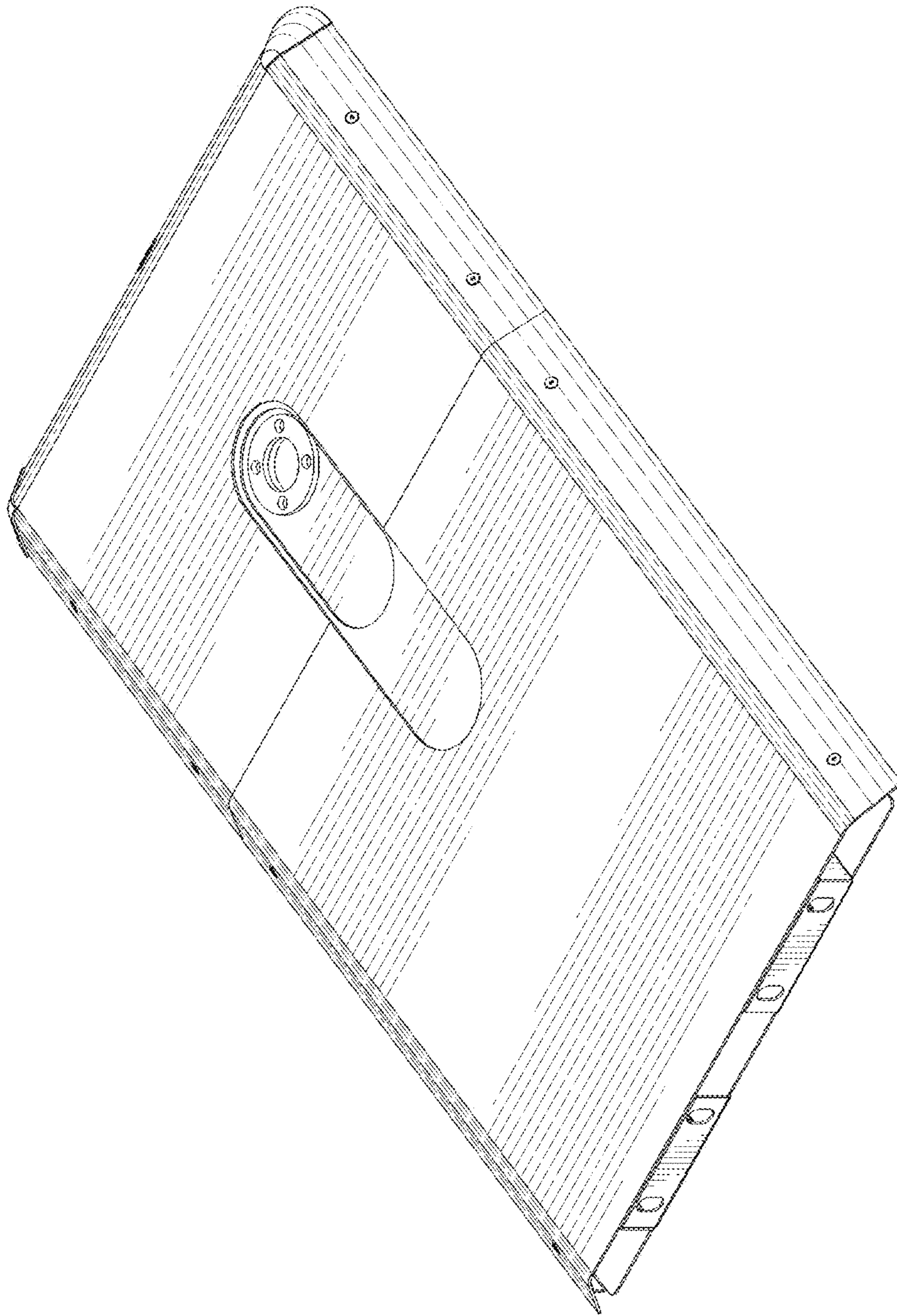


FIG. 1

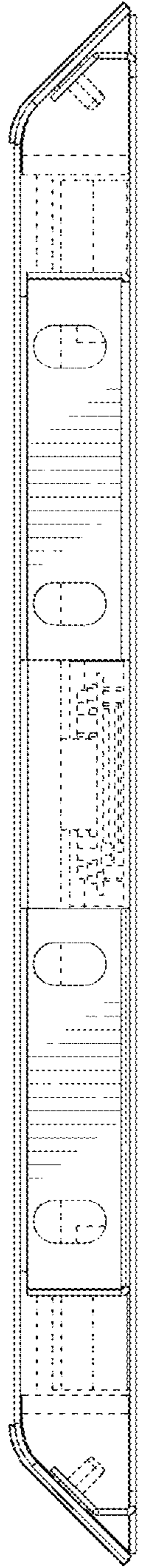


FIG. 2

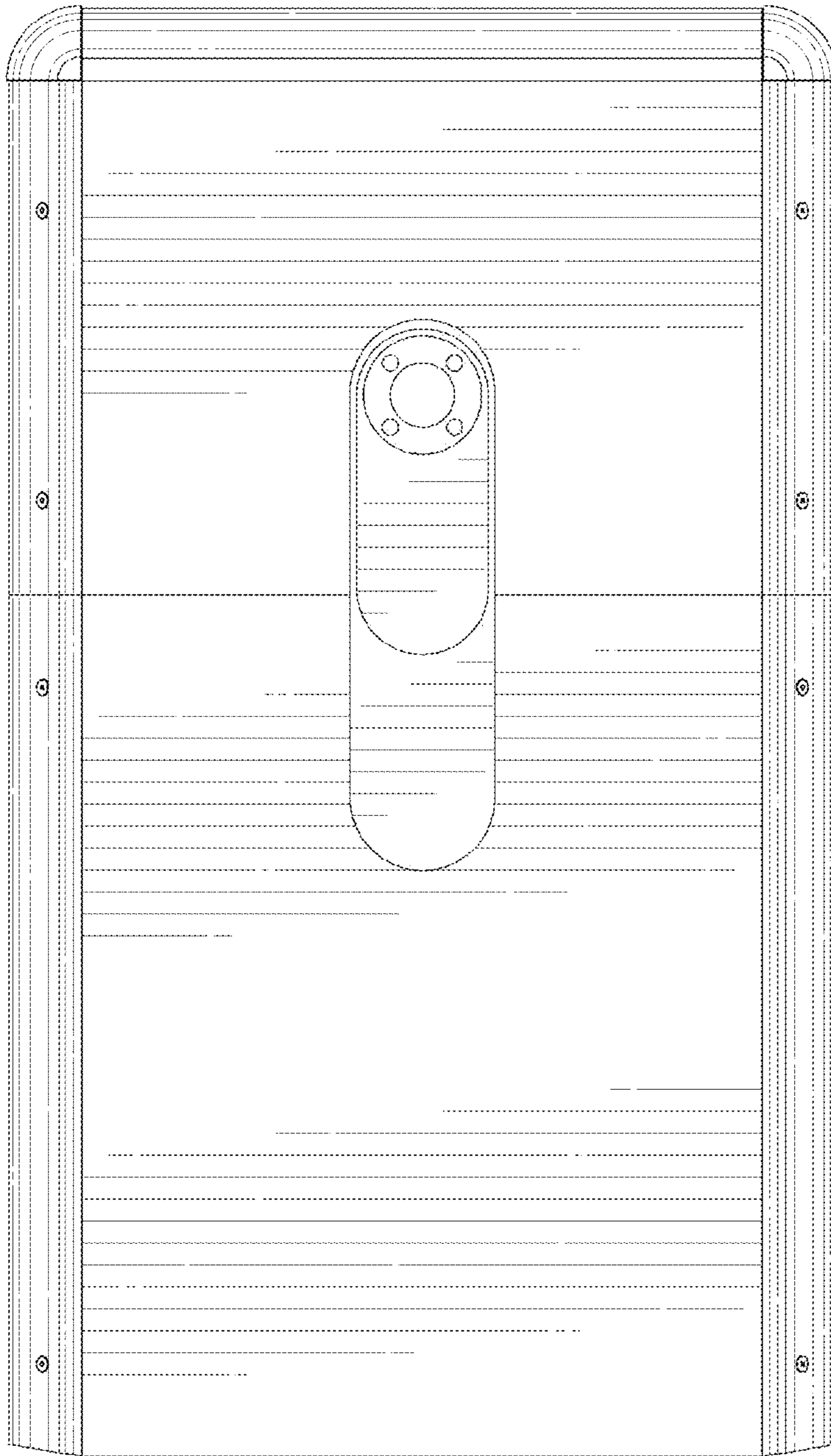


FIG. 3

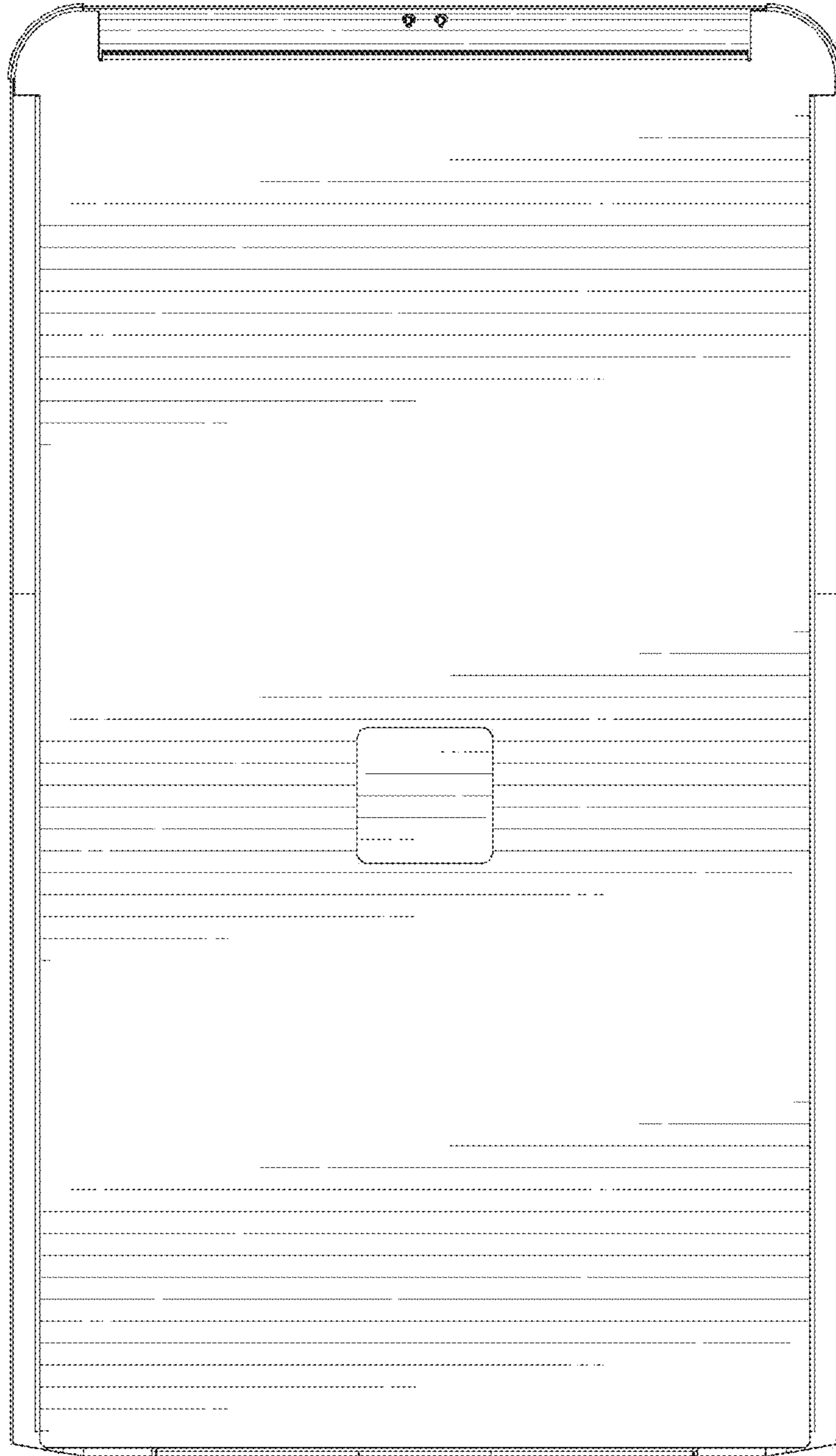


FIG. 4

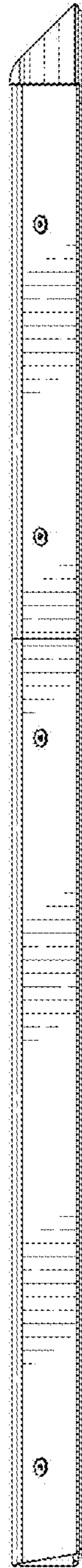


FIG. 5

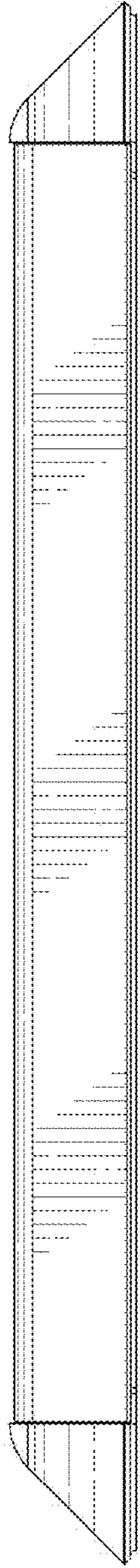


FIG. 6