



US00D869887S

(12) **United States Design Patent**
Vasiliou

(10) **Patent No.:** **US D869,887 S**

(45) **Date of Patent:** **** Dec. 17, 2019**

(54) **TABLE**

(71) Applicant: **TON a.s.**, Bystrice pod Hostýnem (CZ)

(72) Inventor: **Panos Vasiliou**, Salonika (GR)

(73) Assignee: **TON a.s.**, Bystrice pod Hostýnem (CZ)

(**) Term: **15 Years**

(21) Appl. No.: **29/644,069**

(22) Filed: **Apr. 13, 2018**

(30) **Foreign Application Priority Data**

Oct. 17, 2017 (EM) 004408946
Oct. 26, 2017 (EM) 004408946

(51) **LOC (12) Cl.** **06-03**

(52) **U.S. Cl.**
USPC **D6/692.6**

(58) **Field of Classification Search**
USPC D6/349, 641, 685, 686, 690, 691.9, 692,
D6/692.1-692.6
CPC A47B 3/08; A47B 13/00; A47B 13/02;
A47B 13/04; A47B 13/06; A47B 13/08;
A47B 13/12; A47B 21/00; A47B
2200/0001; A47B 2200/0011; A47B
2200/002

See application file for complete search history.

(56) **References Cited**

U.S. PATENT DOCUMENTS

D145,540 S * 9/1946 Sky D6/692
D239,487 S * 4/1976 Hysten D6/692
D306,538 S * 3/1990 Mergenov D6/692.2
D306,539 S * 3/1990 Mergenov D6/692.2
D404,594 S * 1/1999 Muller D6/691.3
D547,571 S * 7/2007 Goldstein D6/692.1

D552,890 S * 10/2007 Domack D6/691.1
D552,893 S * 10/2007 Everson D6/692.6
D749,863 S * 2/2016 Cohen D6/349

* cited by examiner

Primary Examiner — Mary Ann Calabrese

(74) *Attorney, Agent, or Firm* — Fross, Zelnick, Lehrman & Zissu, PC; Charles T. J. Weigell, Esq.

(57) **CLAIM**

The ornamental design for a table, as shown and described.

DESCRIPTION

FIG. 1 is a front perspective view of a table showing my new design;

FIG. 2 is a right side view thereof, with left side view being the same;

FIG. 3 is a front view thereof, with the back side view being the same;

FIG. 4 is a top view thereof;

FIG. 5 is a bottom view thereof;

FIG. 6 is a front perspective view of an alternative embodiment of the table shown in FIG. 1;

FIG. 7 is a front side view thereof, with the back side view being the same;

FIG. 8 is a right side view thereof, with the left view being the same;

FIG. 9 is a top view thereof;

FIG. 10 is a bottom view thereof;

FIG. 11 is a front perspective view of another alternative embodiment of the table shown in FIG. 1;

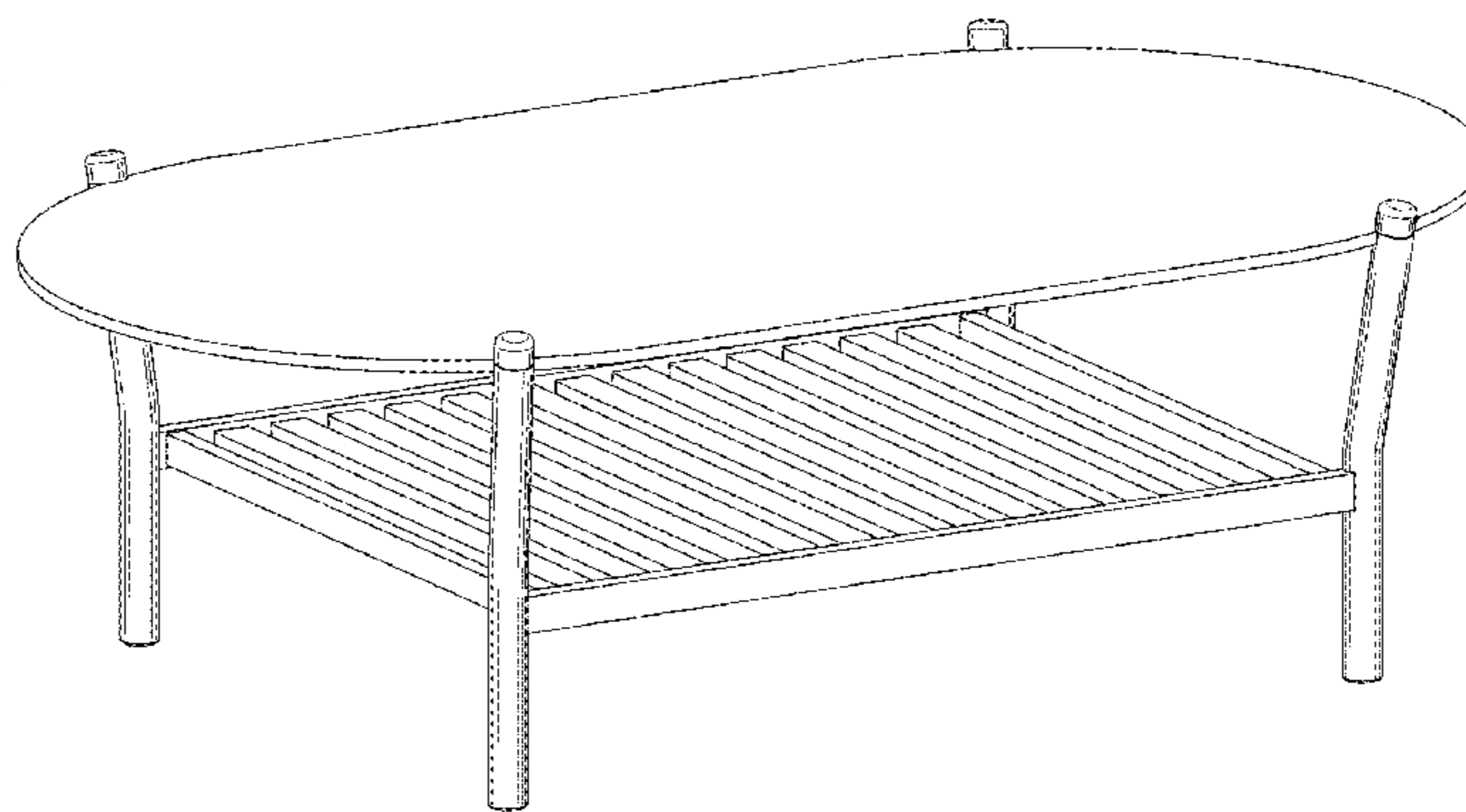
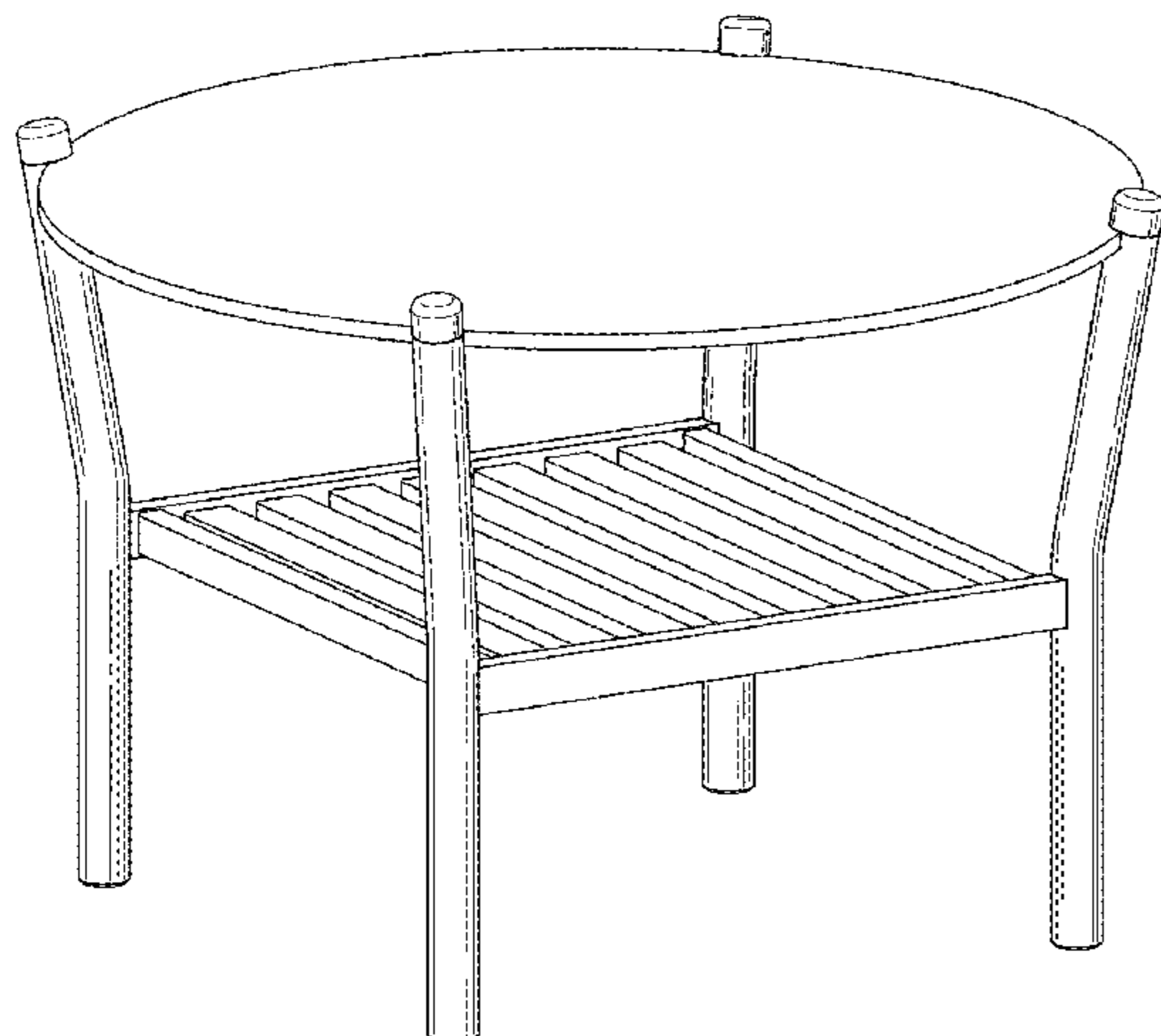
FIG. 12 is a right side view thereof, with the left side view being the same;

FIG. 13 is a front view thereof, with the back view being the same;

FIG. 14 is a top view thereof; and,

FIG. 15 is a bottom view thereof.

1 Claim, 15 Drawing Sheets



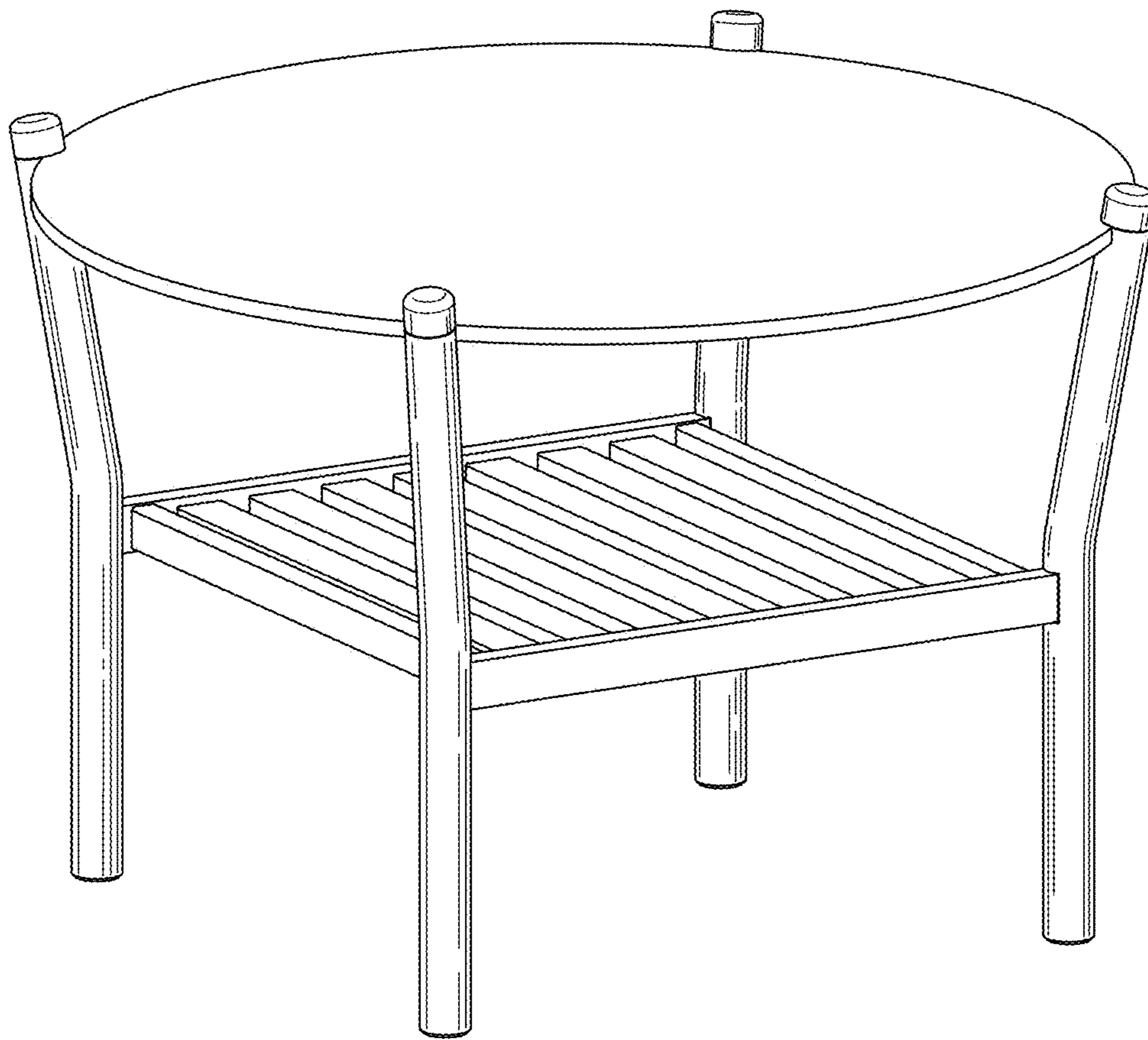


FIG. 1

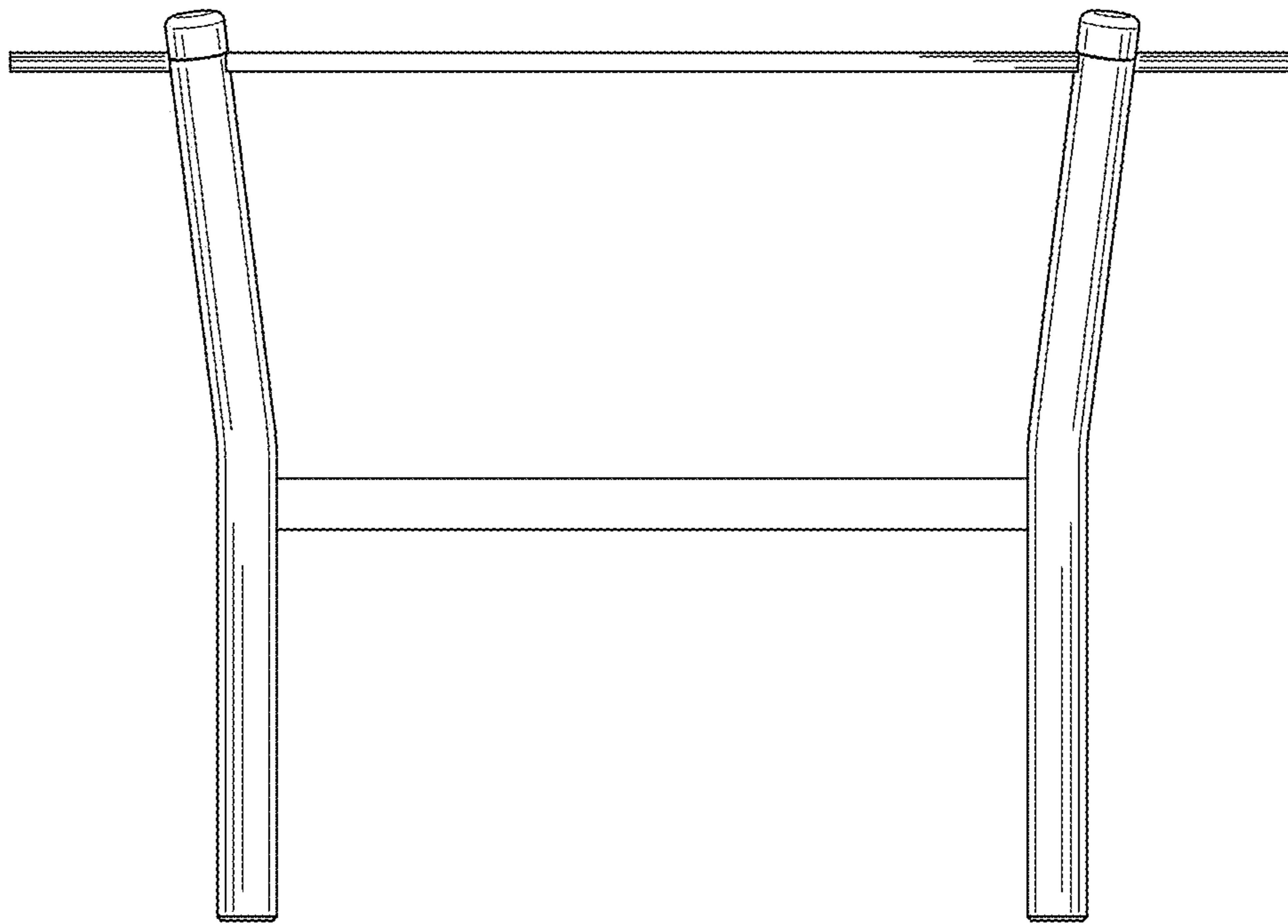


FIG. 2

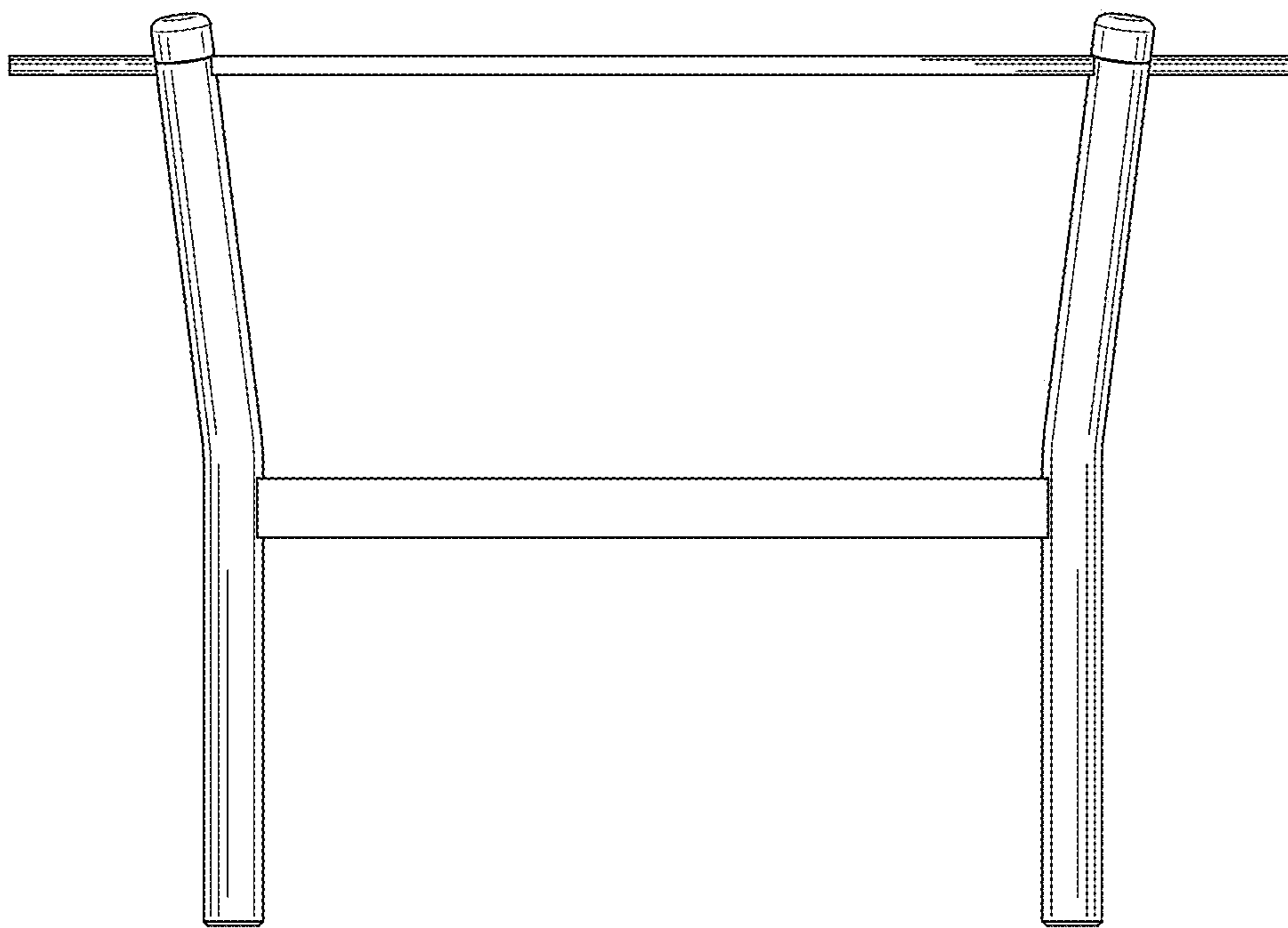


FIG. 3

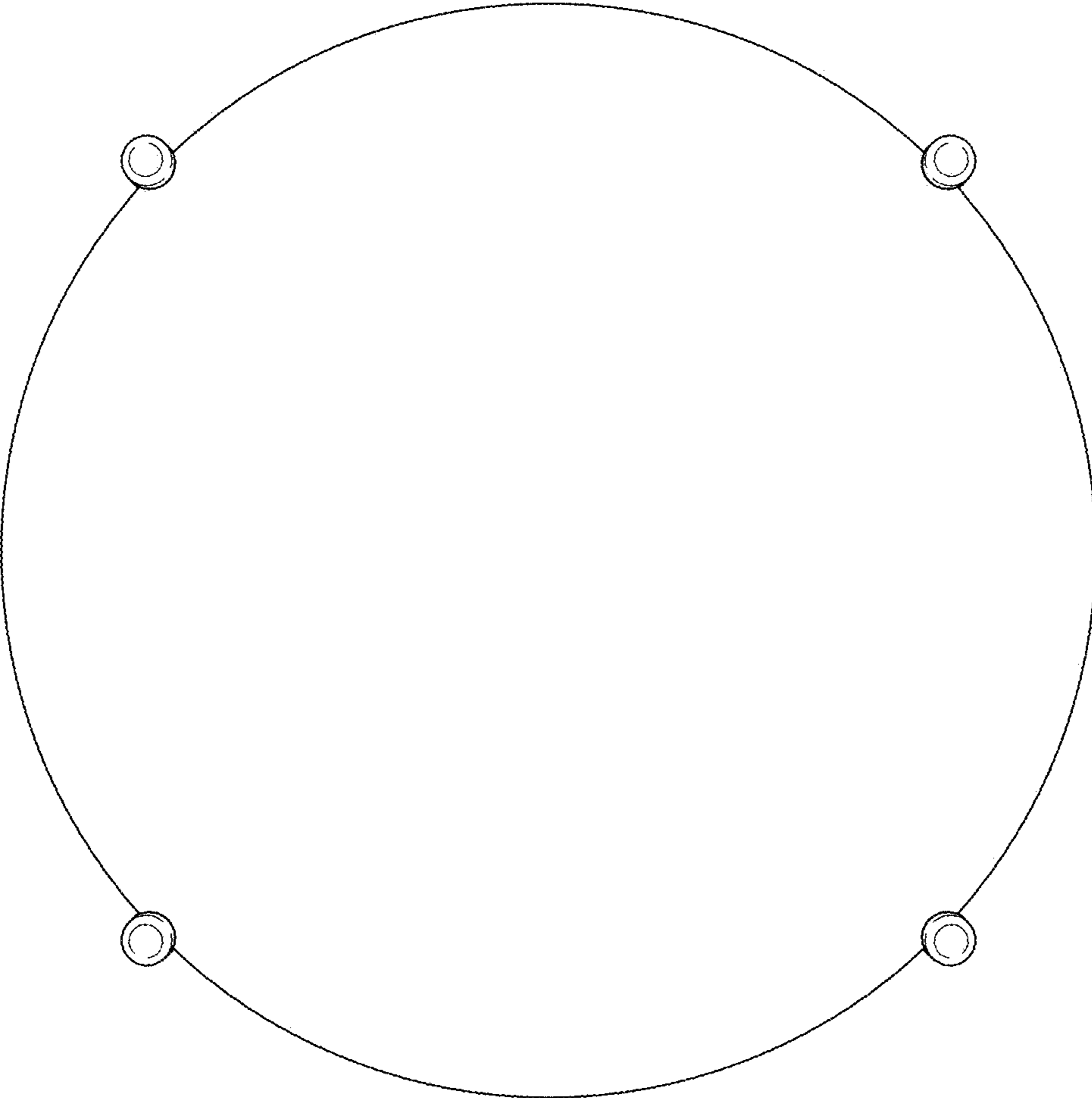


FIG. 4

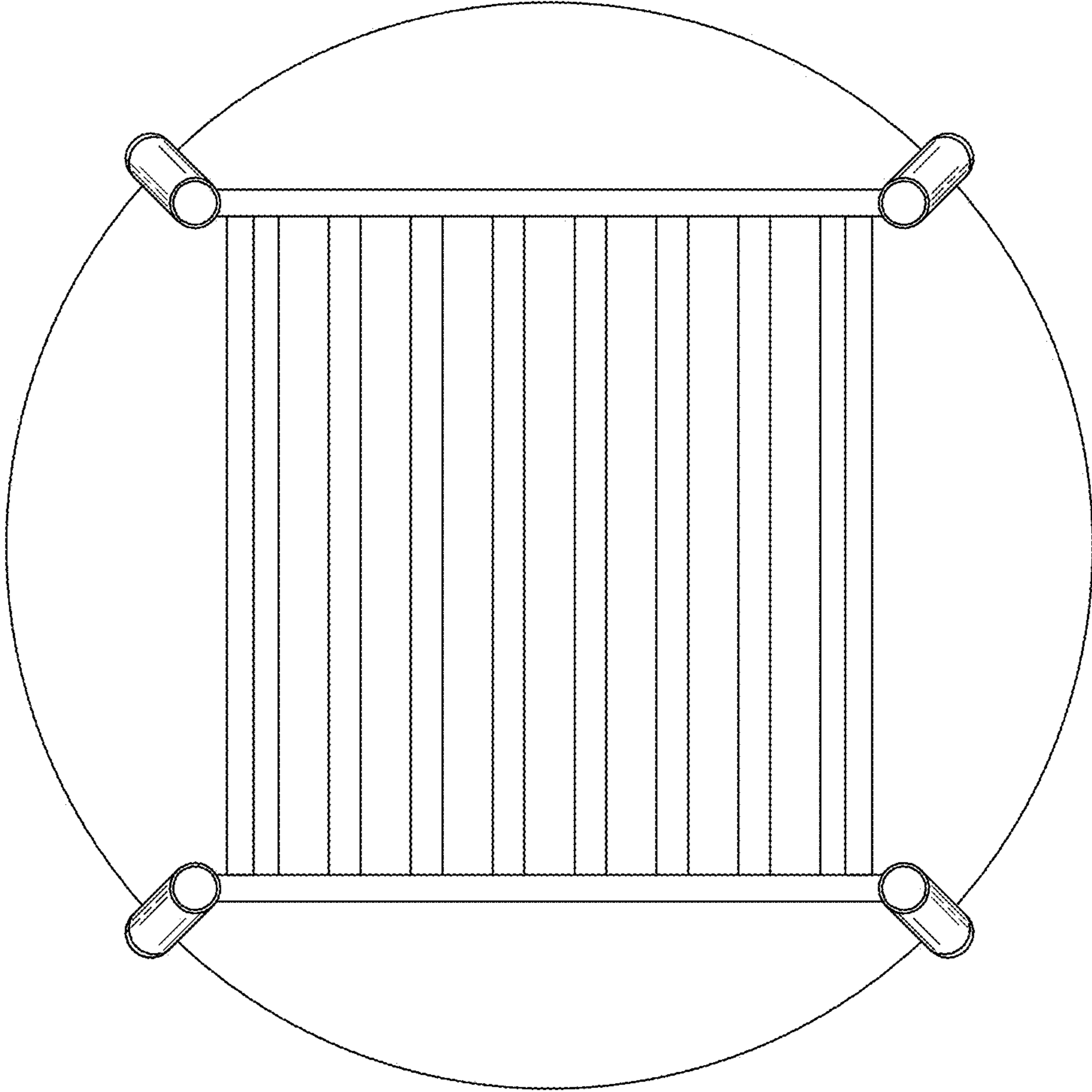


FIG. 5

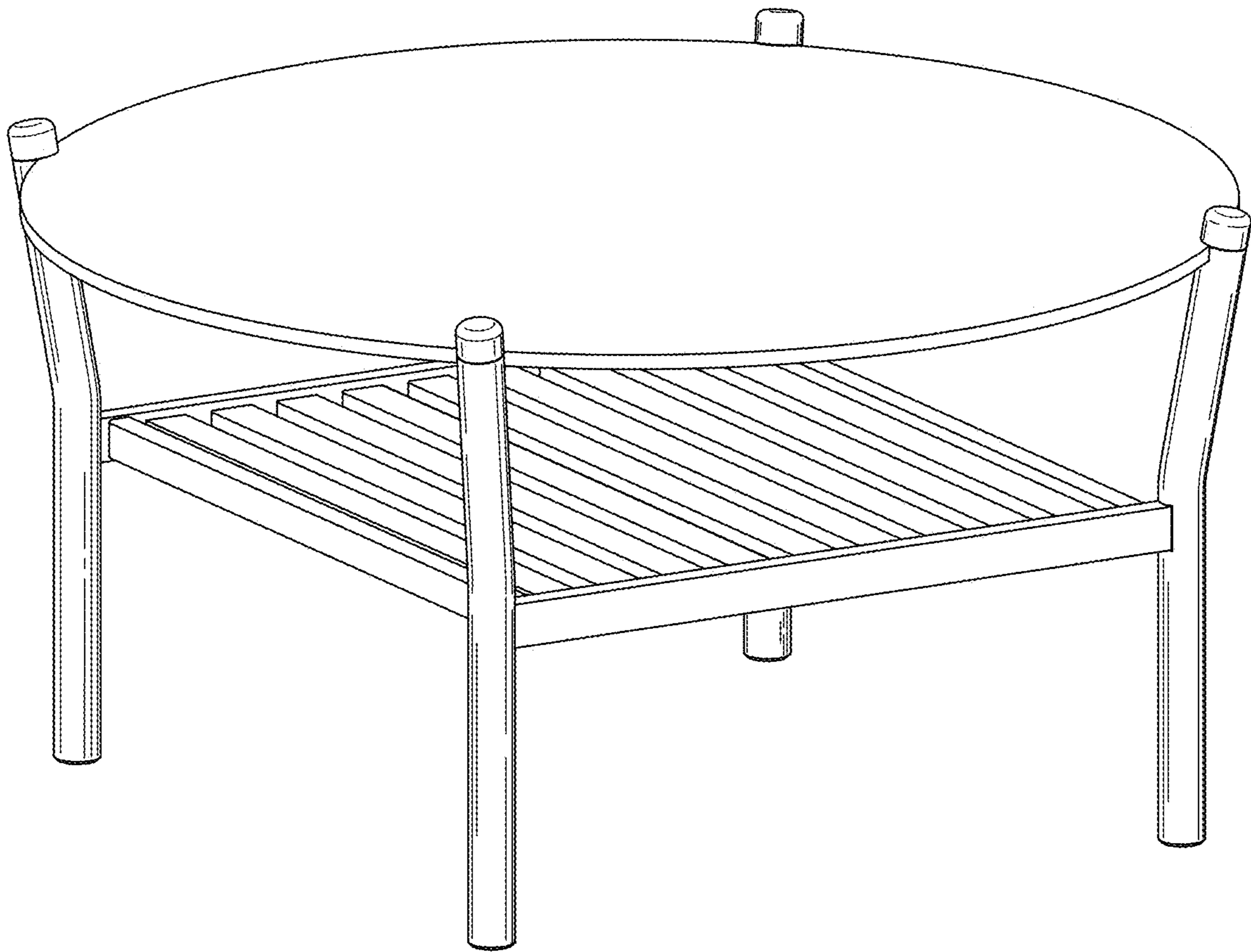


FIG. 6

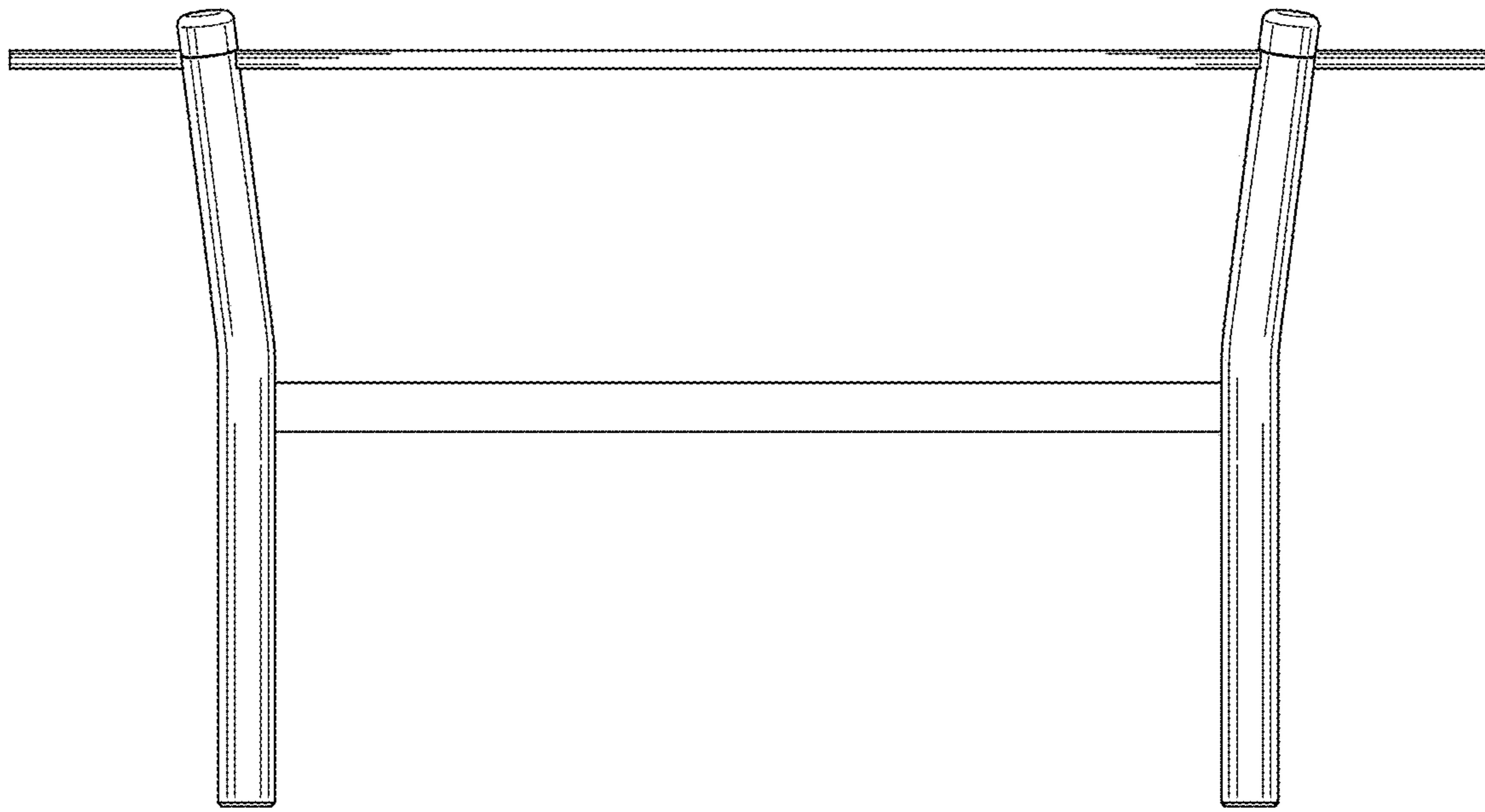


FIG. 7

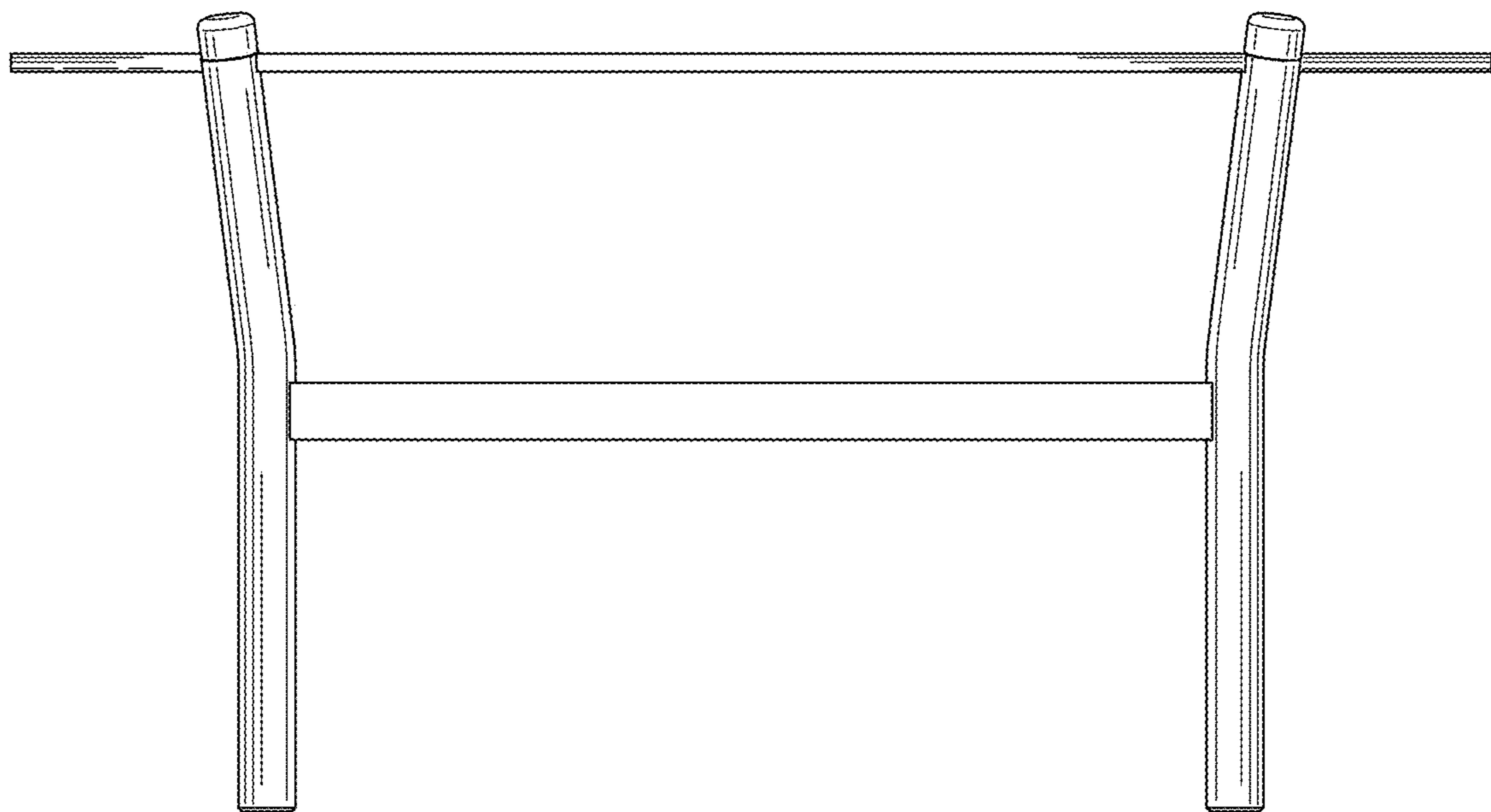


FIG. 8

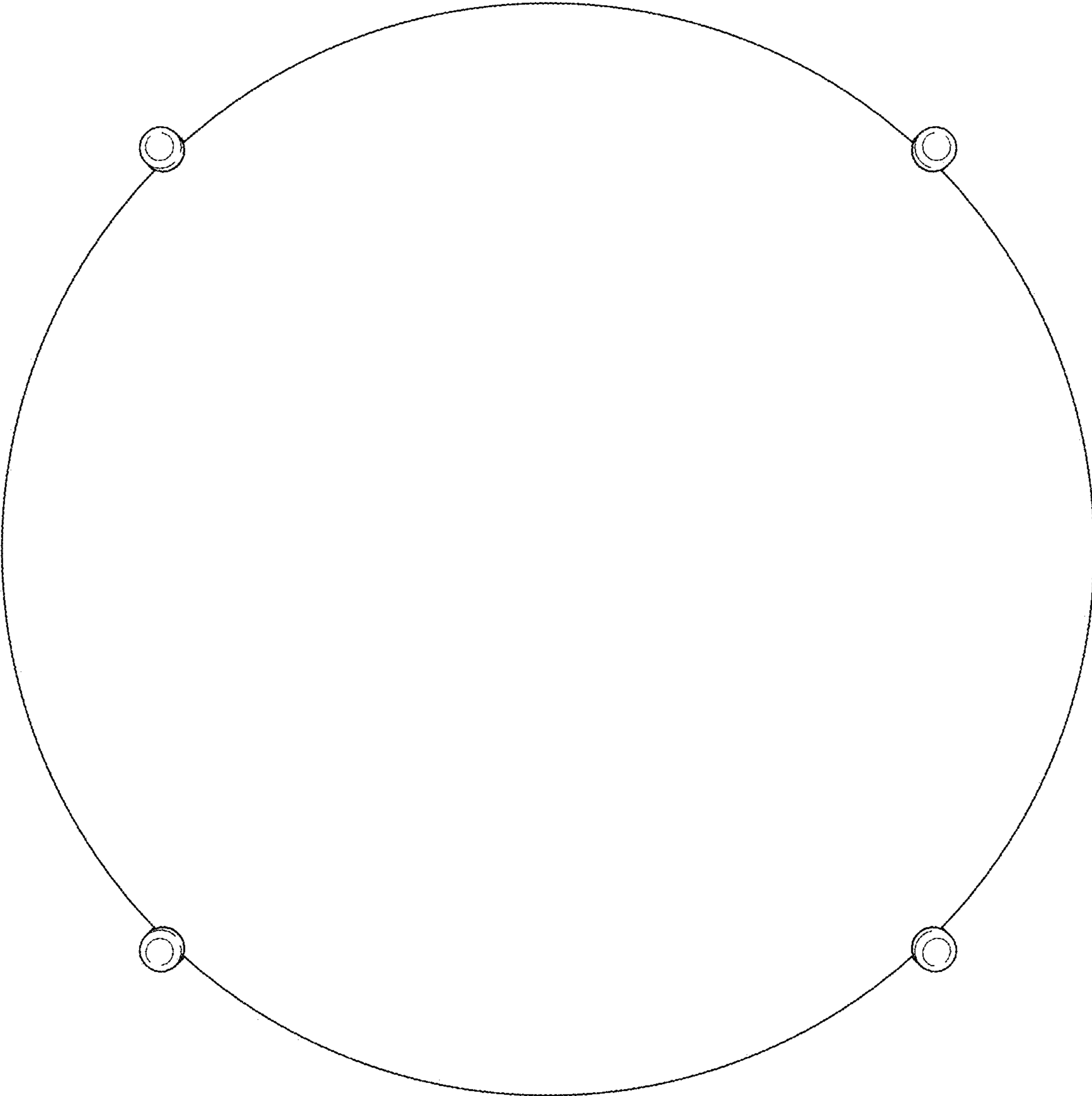


FIG. 9

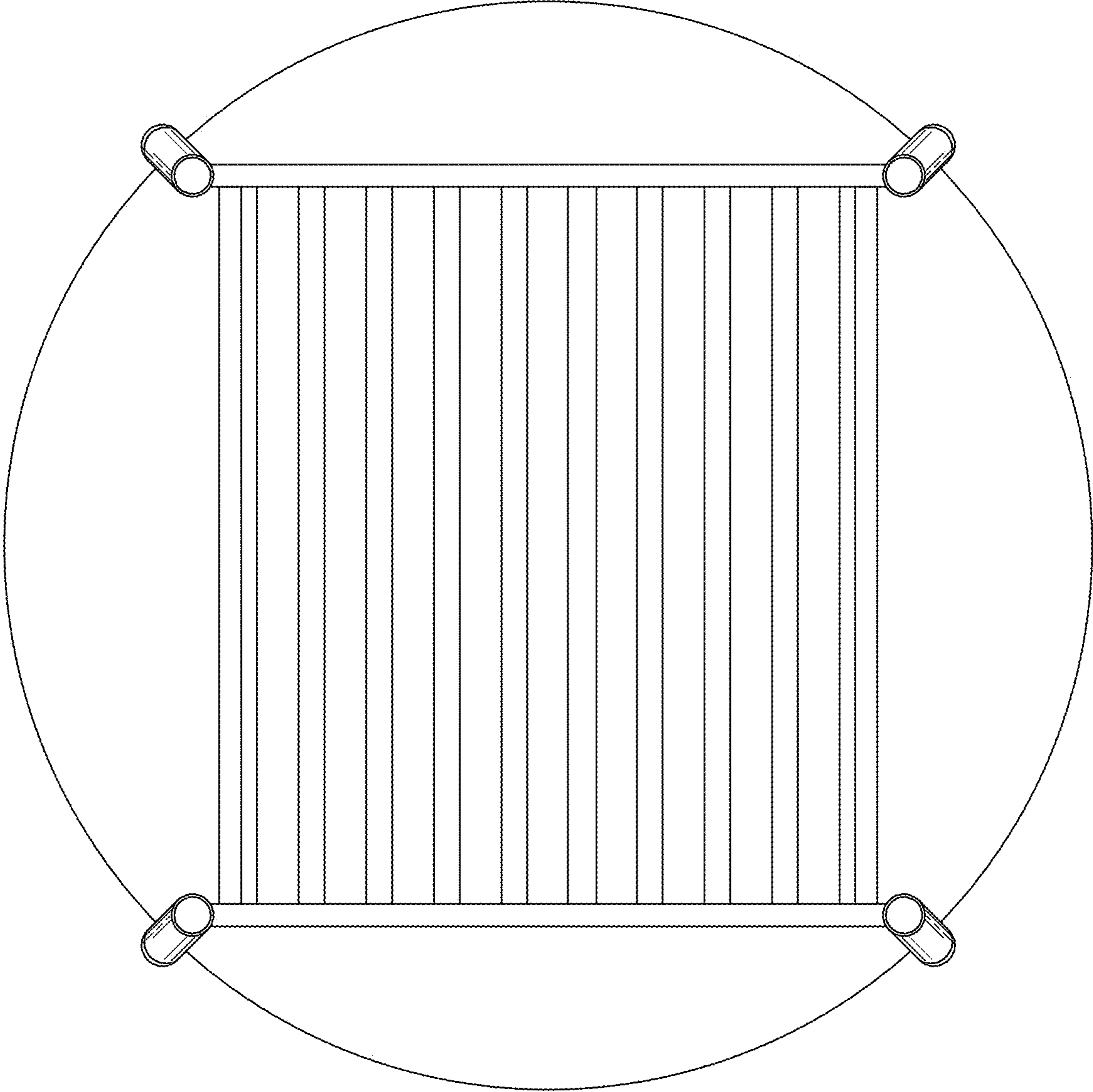


FIG. 10

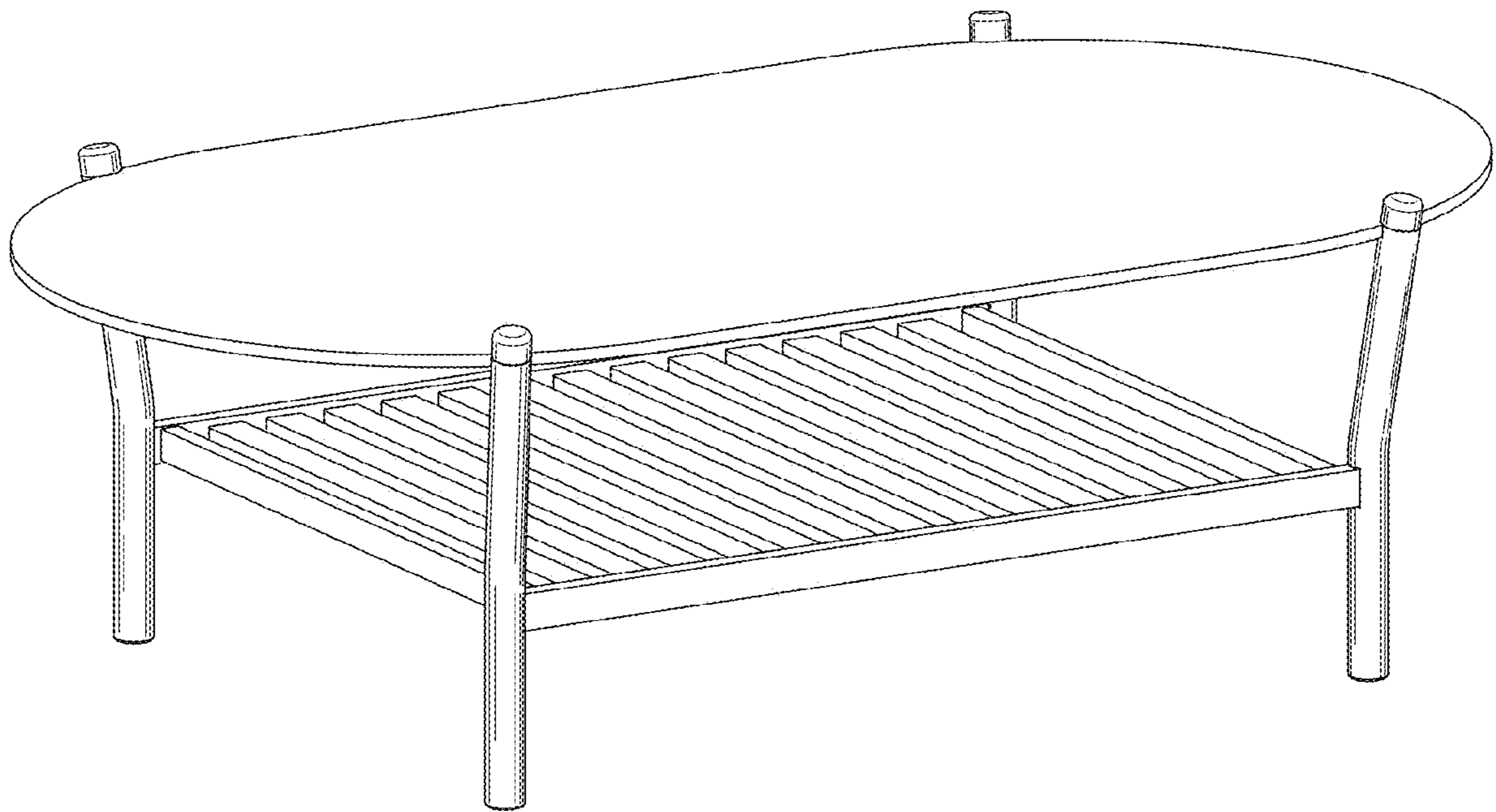


FIG. 11

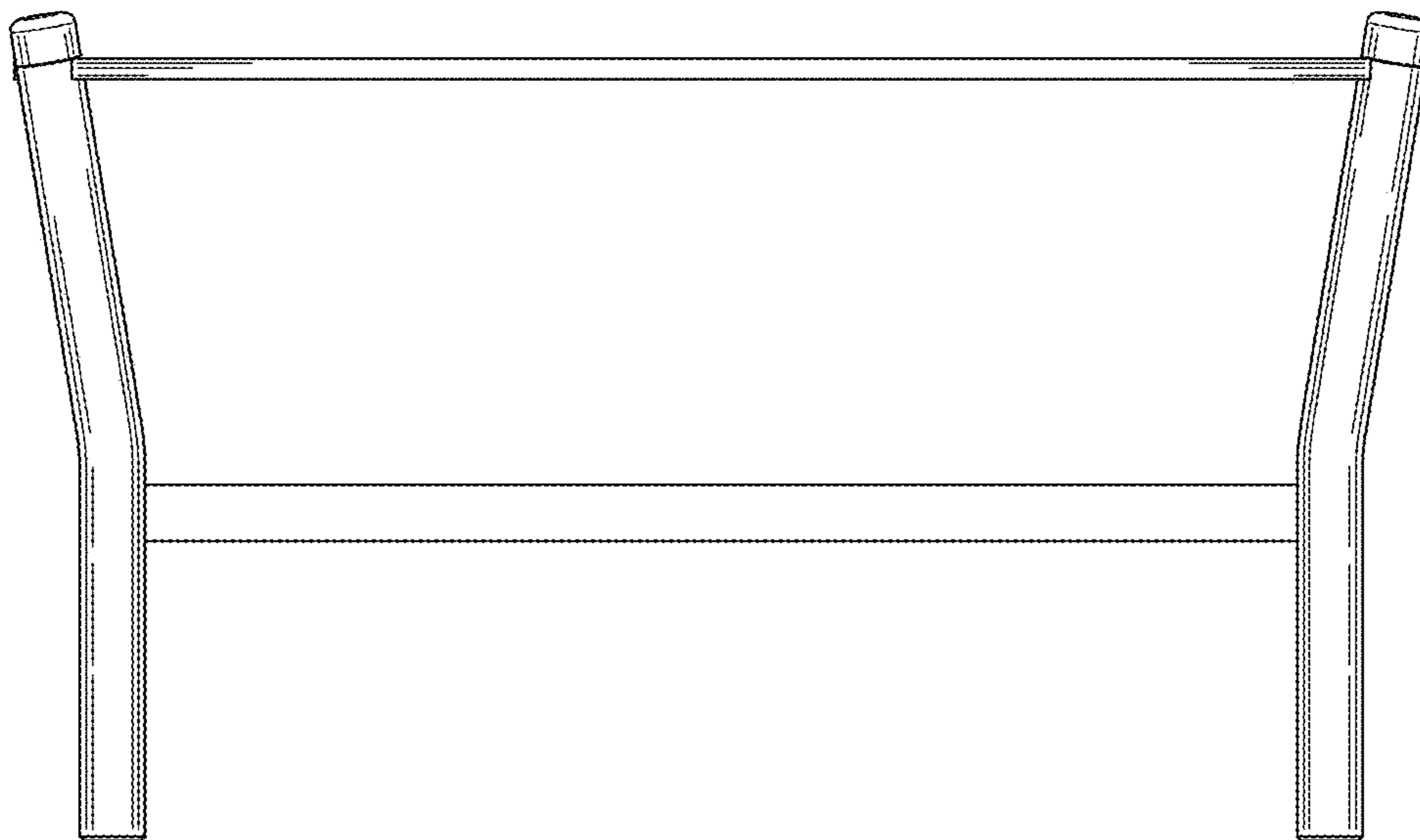


FIG. 12

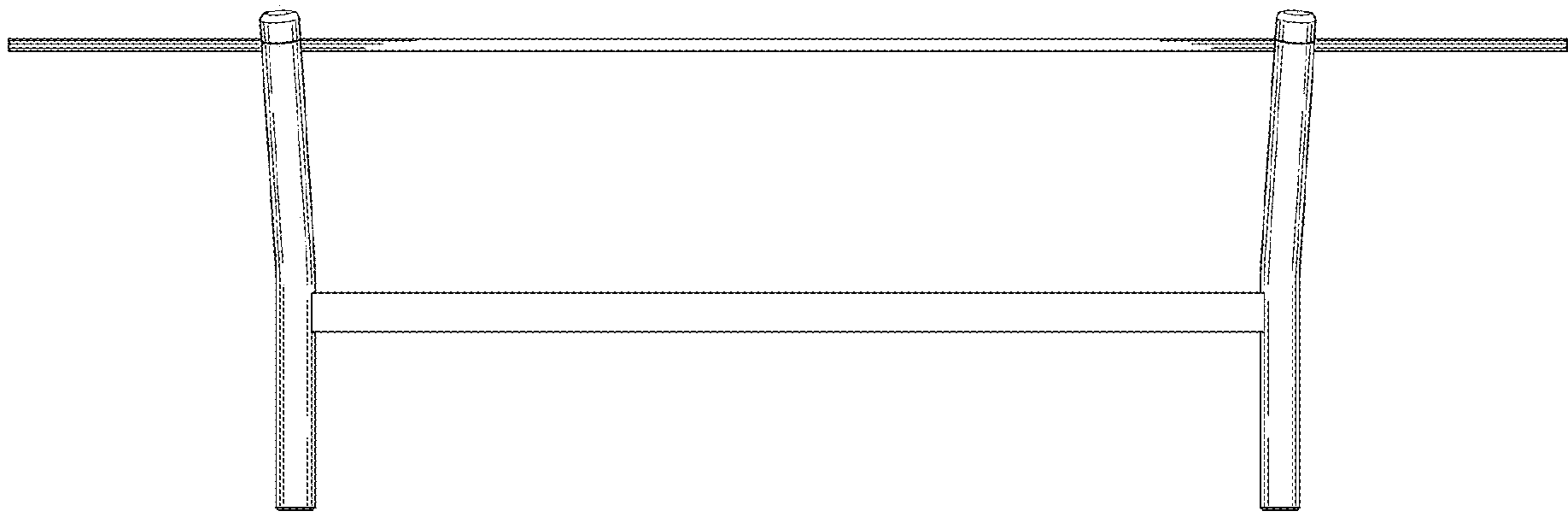


FIG. 13

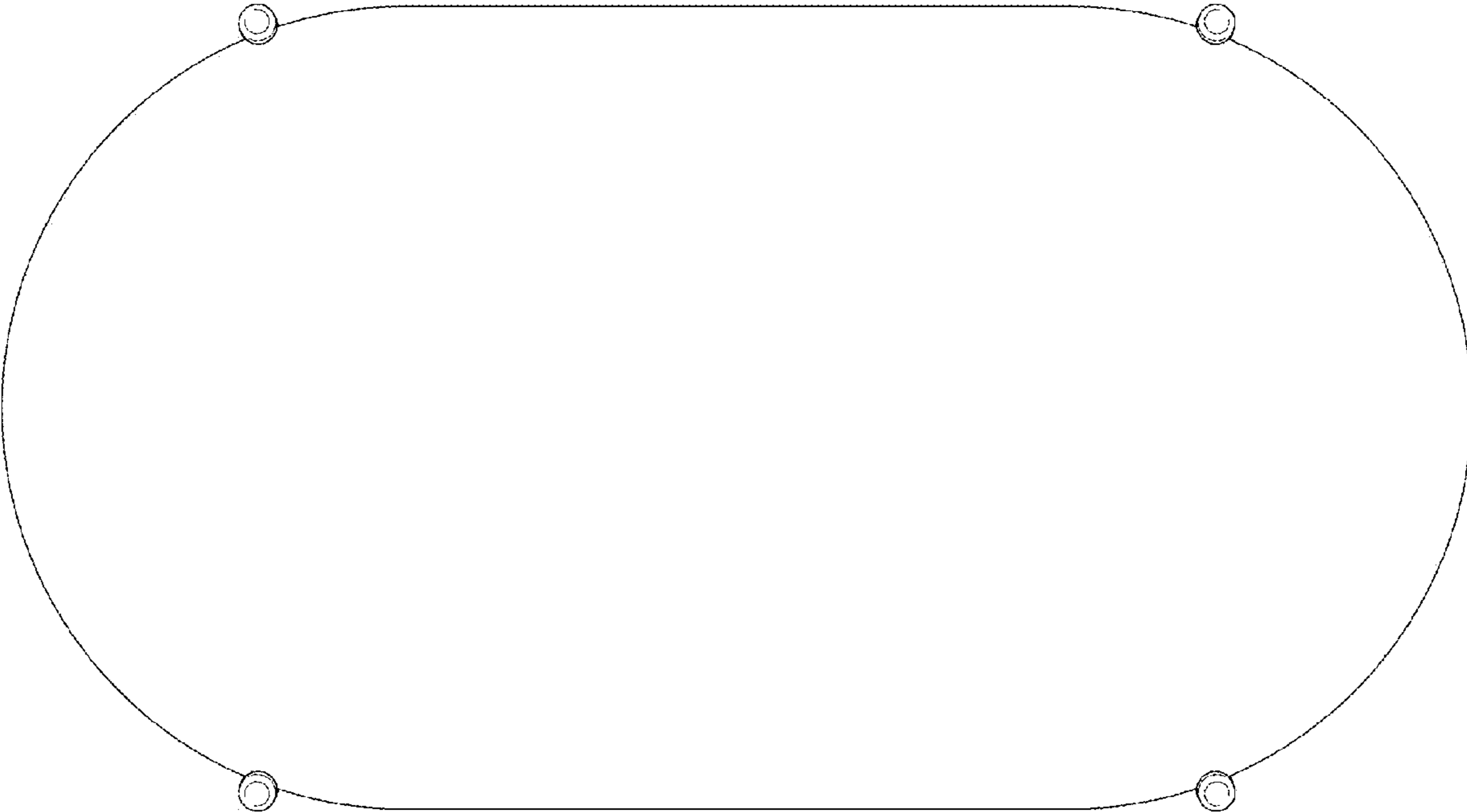


FIG. 14

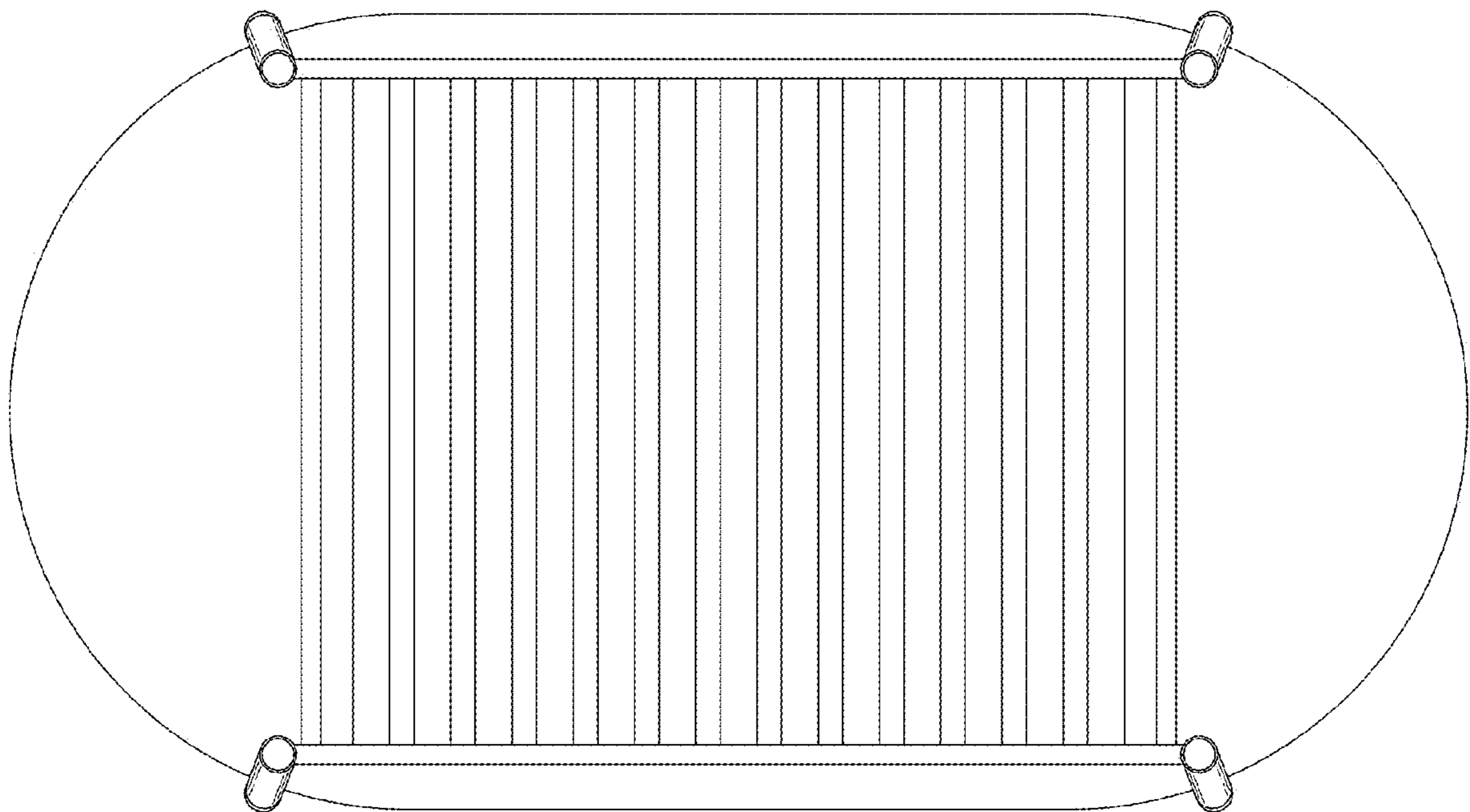


FIG. 15