



US00D869886S

(12) **United States Design Patent** (10) **Patent No.:** **US D869,886 S**
Inovero (45) **Date of Patent:** **** Dec. 17, 2019**

(54) **TABLE**
(71) Applicant: **Bond Manufacturing Co., Inc.**,
Antioch, CA (US)
(72) Inventor: **Trisha Inovero**, Caloocan (PH)
(73) Assignee: **Bond Manufacturing Co., Inc.**,
Antioch, CA (US)

D414,354 S * 9/1999 Gower D6/691.1
D431,398 S 10/2000 Luong
D448,216 S 9/2001 Kolberg
D484,717 S 1/2004 De Blois
D590,185 S 4/2009 Karashima
D717,572 S 11/2014 Morrison
D728,281 S * 5/2015 Heirakuji D6/675
D753,418 S * 4/2016 Hsu D6/675
D766,630 S * 9/2016 Akana D6/691.1
D766,631 S * 9/2016 Akana D6/691.9
(Continued)

(**) Term: **15 Years**
(21) Appl. No.: **29/669,795**
(22) Filed: **Nov. 12, 2018**

Related U.S. Application Data

(63) Continuation of application No. 29/605,864, filed on
May 31, 2017, now Pat. No. Des. 833,189.
(51) **LOC (12) Cl.** **06-03**
(52) **U.S. Cl.**
USPC **D6/691.8; D6/691.1**
(58) **Field of Classification Search**
USPC D6/641, 657, 685, 686, 689, 690, 691,
D6/691.1, 691.2, 691.3, 691.4, 691.5,
D6/691.6, 691.7, 691.8, 691.9, 699,
D6/699.1, 699.2, 699.3, 699.4, 699.5,
D6/702, 707, 707.15, 708, 709
CPC .. A47B 37/00; A47B 3/00; A47B 1/00; A47B
3/06; A47B 3/08; A47B 7/00; A47B
21/00; A47B 23/00; A47B 25/00; A47B
13/08; A47B 3/083; A47B 3/14; A47B
41/00; A47B 17/00; A47B 3/0809; A47B
3/0812; A47B 2013/026; A47B 2200/03;
A47B 2200/00; A47B 2003/0821; A47C
3/045

See application file for complete search history.

(56) **References Cited**

U.S. PATENT DOCUMENTS

D330,132 S 10/1992 Shields
D385,728 S * 11/1997 Mulligan D6/691.1

OTHER PUBLICATIONS

Bowman Wood Outdoor Picnic Table Set, posted at Amazon.com,
posted on Feb. 21, 2014, site visited Mar. 26, 2019. online, available
from internet: <https://www.amazon.com/dp/B001KN868W> (Year:
2014).*

(Continued)

Primary Examiner — Mary Ann Calabrese
Assistant Examiner — Catherine Ho
(74) *Attorney, Agent, or Firm* — Weide & Miller, Ltd.

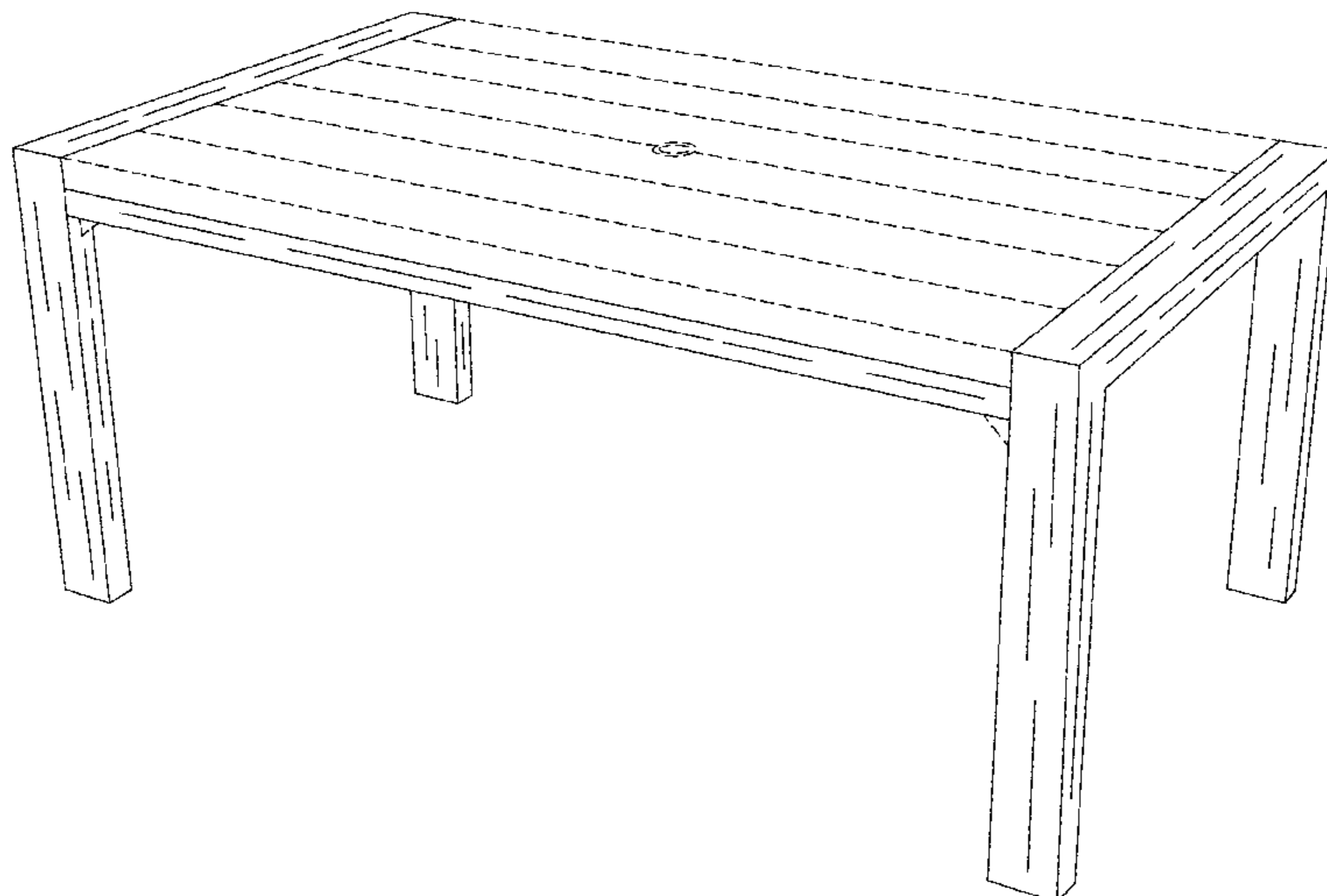
(57) **CLAIM**

The ornamental design for a table, as shown and described.

DESCRIPTION

FIG. 1 is a perspective view of a table showing the new
design.
FIG. 2 is a front view of the design shown in FIG. 1.
FIG. 3 is a back view of the design shown in FIG. 1.
FIG. 4 is a right-side view of the design shown in FIG. 1.
FIG. 5 is a left-side view of the design shown in FIG. 1.
FIG. 6 is a top view of the design shown in FIG. 1; and,
FIG. 7 is a bottom view of the design shown in FIG. 1.
The broken lines indicate unclaimed portions of the article
and form no part of the claimed design.

1 Claim, 7 Drawing Sheets



(56)

References Cited

U.S. PATENT DOCUMENTS

D766,632	S	*	9/2016	Akana	D6/702
D766,633	S	*	9/2016	Akana	D6/702
D769,654	S	*	10/2016	Akana	D6/691
D776,471	S		1/2017	Mandon		
D777,485	S		1/2017	Bougay		
D783,324	S		4/2017	Akana		
D790,262	S		6/2017	Akana		
D810,476	S	*	2/2018	Heirakuji	D6/675
D823,013	S	*	7/2018	Burden	D6/349
D833,189	S	*	11/2018	Inovero	D6/691.8
2016/0064995	A1	*	3/2016	Schwalbach	A47F 7/022 320/108

OTHER PUBLICATIONS

VIFAH, posted at Amazon.com, posted on Nov. 1, 2017, site visited Mar. 26, 2019. online, available from internet: <https://www.amazon.com/V232SET33-Outdoor-Rectangular-Extension-Stacking/dp/B0123CORF6> (Year: 2017).*

WE Furniture, posted at Amazon.com, posted on Jul. 24, 2017, site visited Mar. 26, 2019. online, available from internet: <https://www.amazon.com/WE-Furniture-Acacia-Extendable-Dining/dp/B00URTXOCU> (Year: 2017).*

JPEG 251X251, posted at St.houzz.com, posted on Jul. 12, 2014, site visited Feb. 16, 2018. online, available from internet: http://st.houzz.com/fimgs/2e41284f019e509a_9820_w251-h251-b1-p10--modern-dining-tables.jpg.

Concrete, posted A.1stdibscdn.com, posted on Sep. 21, 2016, site visited Feb. 16, 2018. online, available from internet: https://a.1stdibscdn.com/archives#/upload/f_7779/1453928258795/1573W_z.jpg.

Blair, posted at Demandware.edgesuite.net, posted on 06/14/16, site visited Feb. 16, 2018. online, available from internet: http://demandware.edgesuite.net/sits_pod27/dw/image/v2/AAYH_PRD/on/demandware.static/-/Sites-itemmaster_Brookstone/default/dw806b3377/hi-res/910504p_atl.jpg?sw=500%20500w.

BrowseDiningRoom, posted at Furnitureappliance.com, posted on Jun. 8, 2014, site visited Feb. 16, 2018. online, available from internet: <https://www.furnitureappliance.com/browse/dining-room/tables/432>.

* cited by examiner

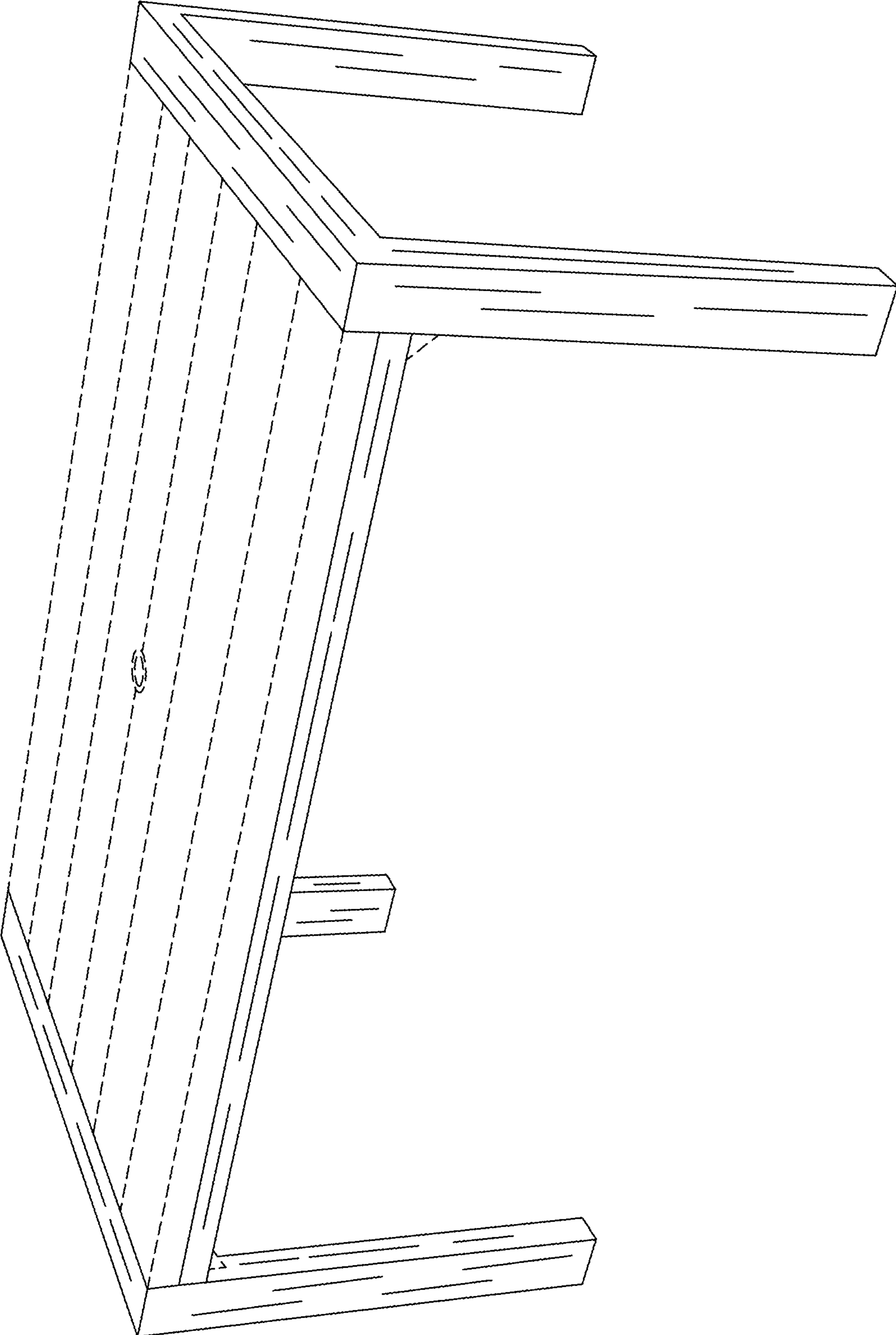


FIG. 1

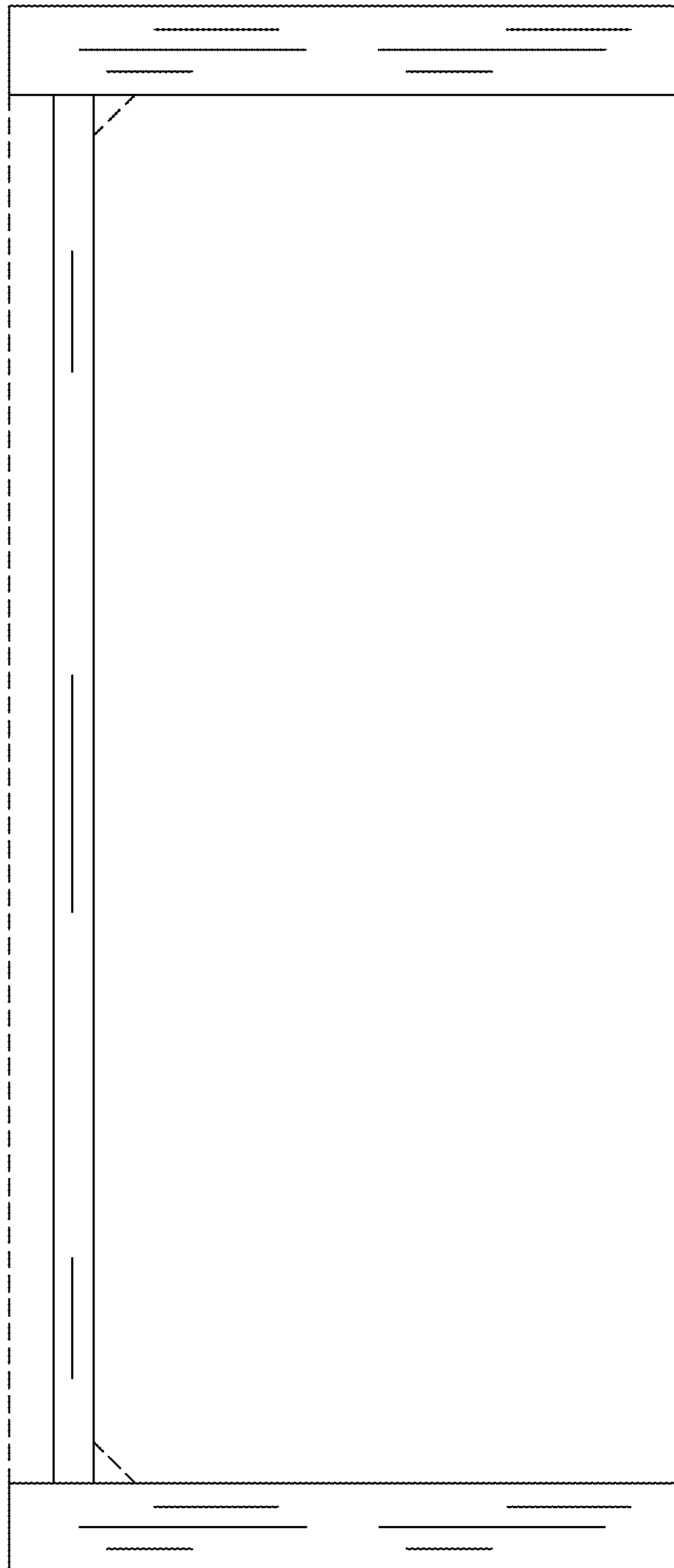


FIG. 2

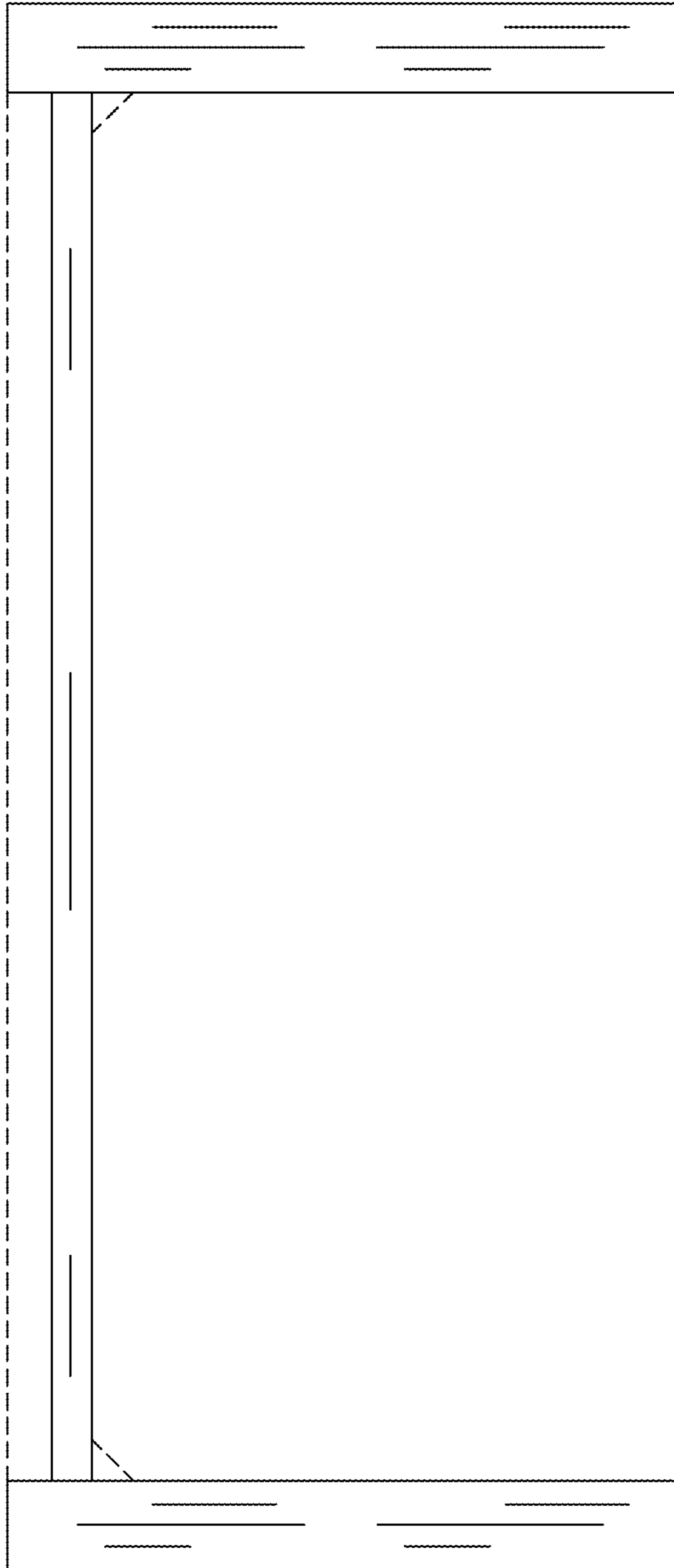


FIG. 3

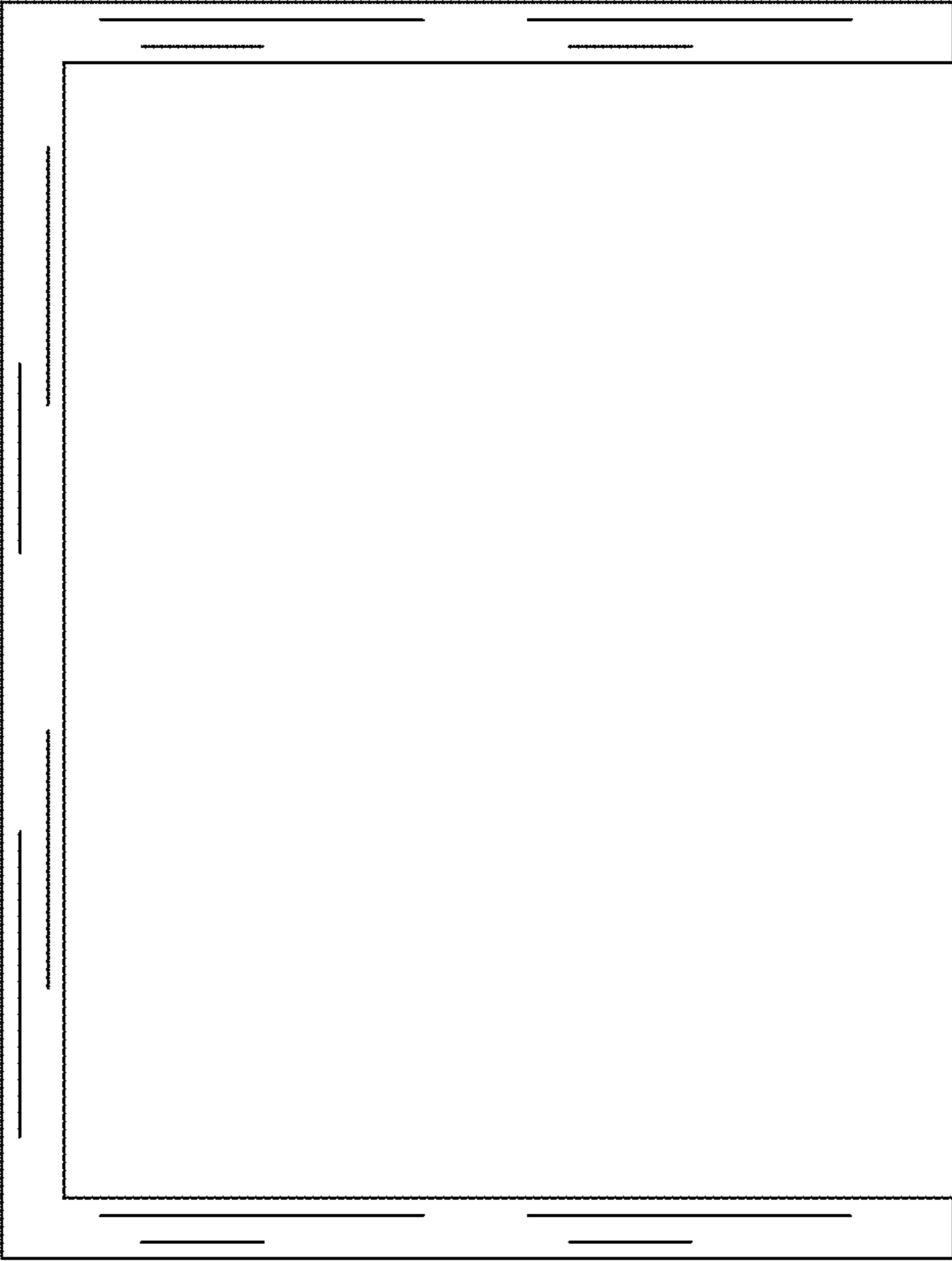


FIG. 4

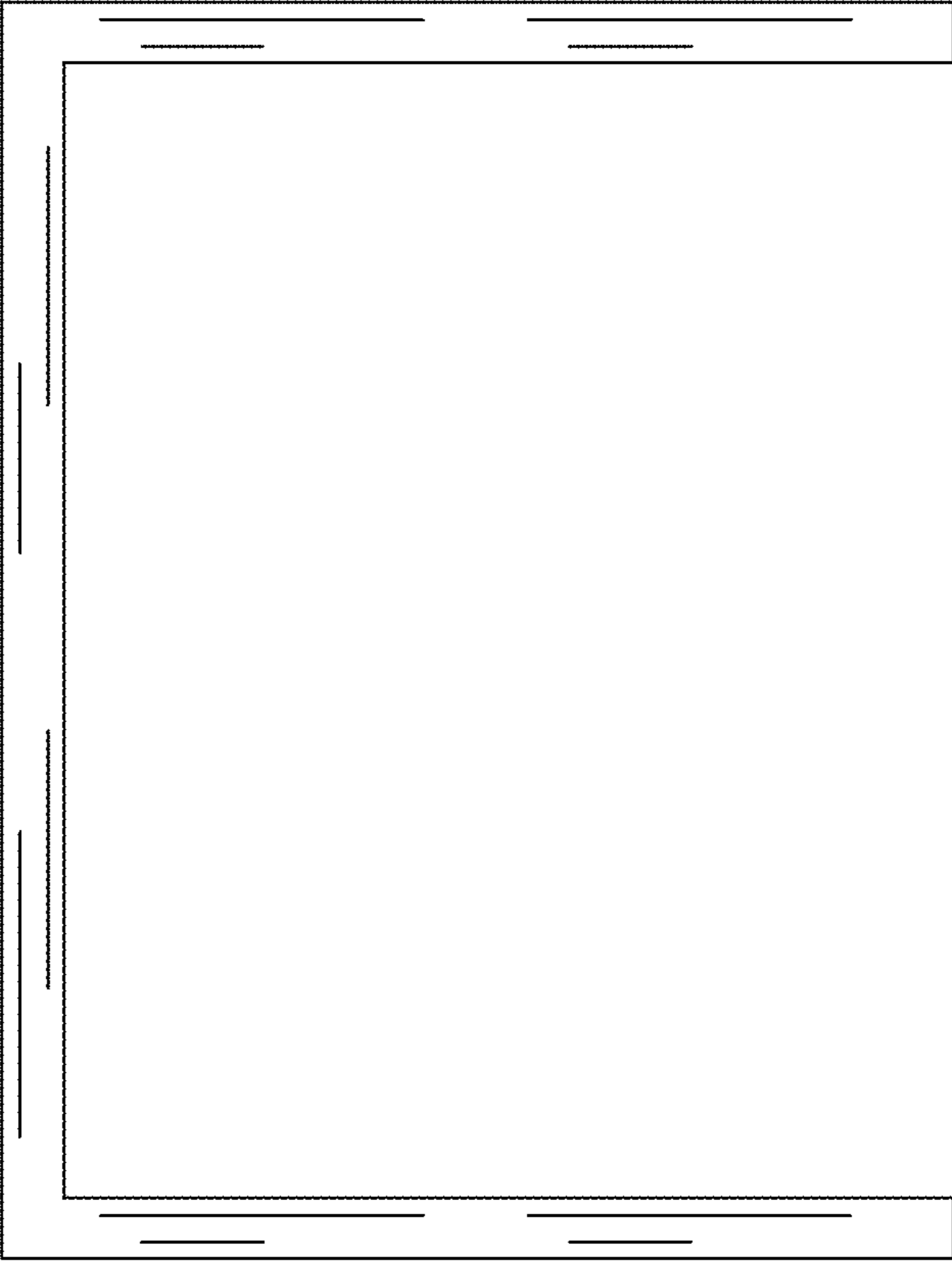


FIG. 5

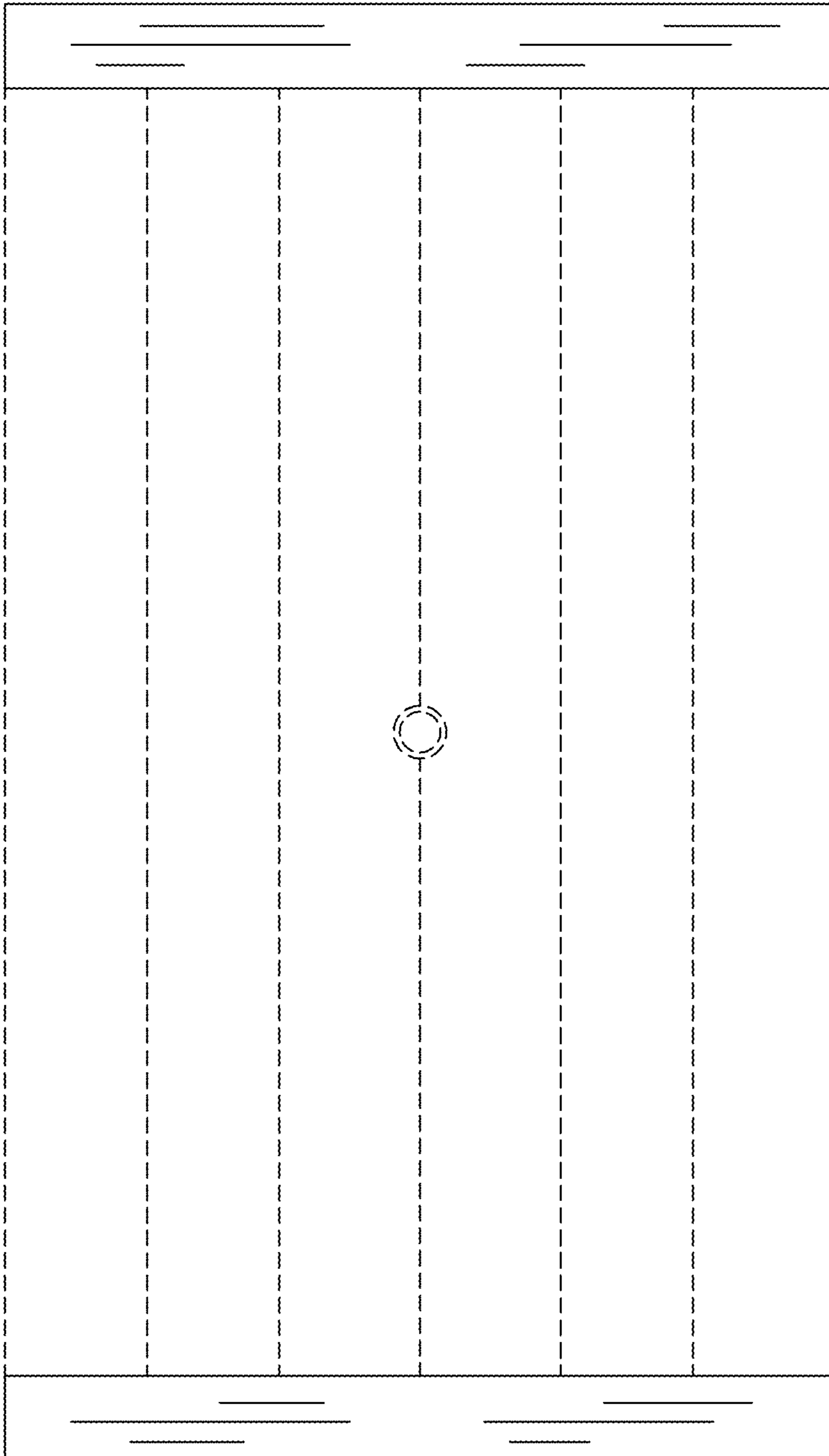


FIG. 6

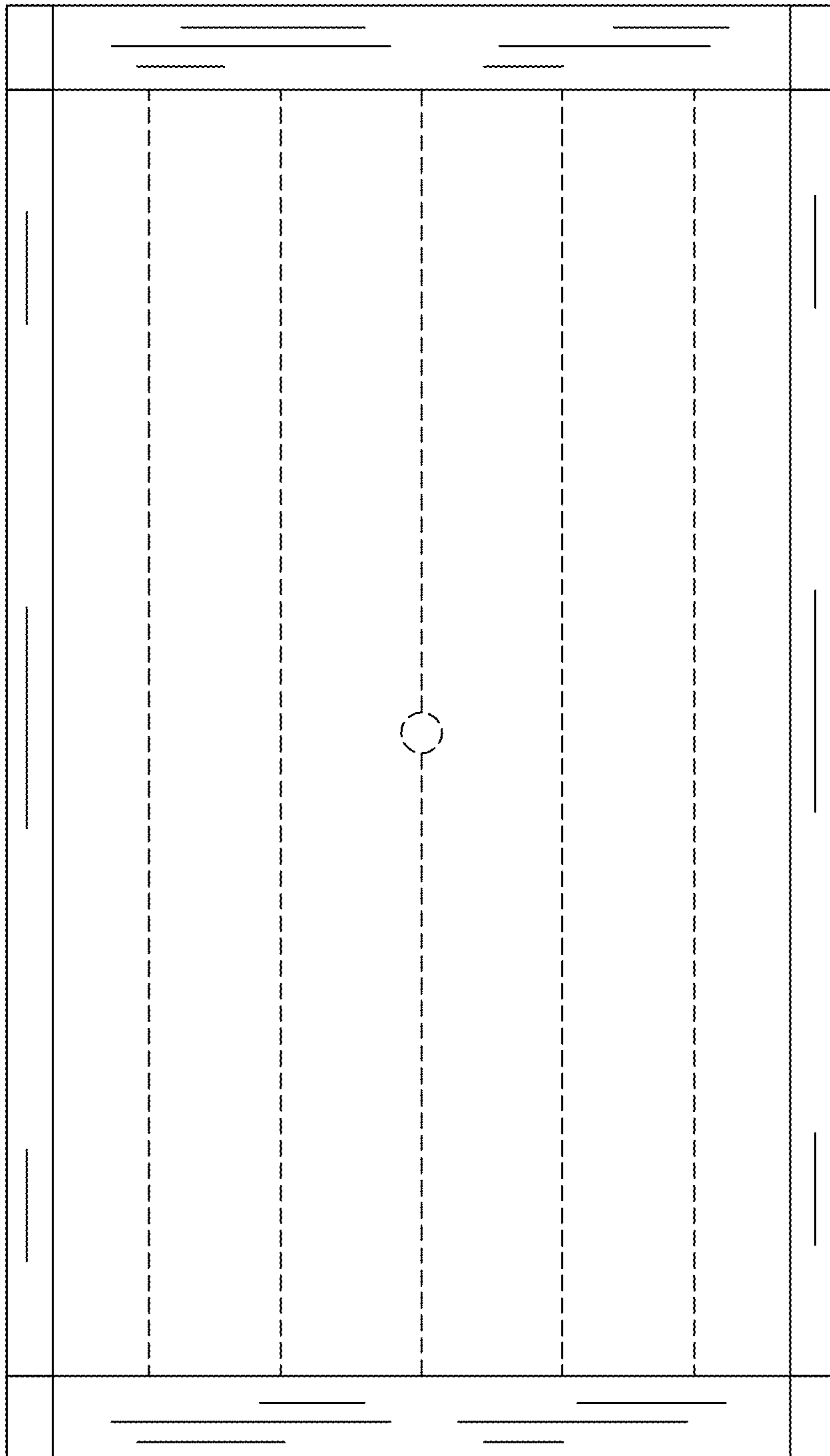


FIG. 7