



US00D869881S

(12) **United States Design Patent**  
**Bakker**

(10) **Patent No.:** **US D869,881 S**

(45) **Date of Patent:** **\*\* Dec. 17, 2019**

(54) **UNDERMOUNT STORAGE STRUCTURE**

(71) Applicant: **HNI Technologies Inc.**, Muscatine, IA  
(US)

(72) Inventor: **Mitchell R. Bakker**, Holland, MI (US)

(\*\*) Term: **15 Years**

(21) Appl. No.: **29/641,719**

(22) Filed: **Mar. 23, 2018**

(51) **LOC (12) Cl.** ..... **06-04**

(52) **U.S. Cl.**

USPC ..... **D6/648.2**

(58) **Field of Classification Search**

USPC ..... D6/514, 682, 641, 642, 643, 648, 648.2,  
D6/651.1, 686, 689, 691.2, 692, 700, 663,  
D6/668.2, 671, 671.1, 671.2, 671.3,  
D6/671.4; D3/297; D14/183; 211/116,  
211/149

CPC ..... A47B 17/04; A47B 45/00; A47B 47/03;  
A47B 67/00; A47B 67/04; A47B 88/00;  
A47B 88/04; A47B 87/00; A47B 7/00;  
A47B 13/00; A47B 9/14; A47B  
2021/0335; A47B 21/045; A47B 3/00;  
A47B 5/00; A47B 5/02; A47B 5/06

See application file for complete search history.

(56) **References Cited**

**U.S. PATENT DOCUMENTS**

3,104,138 A	9/1963	Renaud
3,346,311 A	10/1967	Whitman
3,857,622 A	12/1974	Hockenberry et al.
4,600,248 A	7/1986	Pflieger
5,486,042 A	1/1996	Heisler et al.

D462,674 S *	9/2002	Siepmann	.....	D14/183
D840,726 S *	2/2019	Denby	.....	D6/648.2
2005/0204646 A1	9/2005	Tupper et al.		
2007/0126319 A1	6/2007	Bauer et al.		
2016/0143485 A1*	5/2016	Rinck	.....	A47B 77/14 211/116

\* cited by examiner

*Primary Examiner* — Wan Laymon

*Assistant Examiner* — Mark Booker

(74) *Attorney, Agent, or Firm* — Faegre Baker Daniels  
LLP

(57) **CLAIM**

The ornamental design for an undermount storage structure,  
as shown and described.

**DESCRIPTION**

FIG. 1 is a top front right isometric view of an undermount  
storage structure.

FIG. 2 is a bottom front right isometric view thereof.

FIG. 3 is a front view thereof.

FIG. 4 is a rear view thereof.

FIG. 5 is a left side view thereof.

FIG. 6 is a right side view thereof.

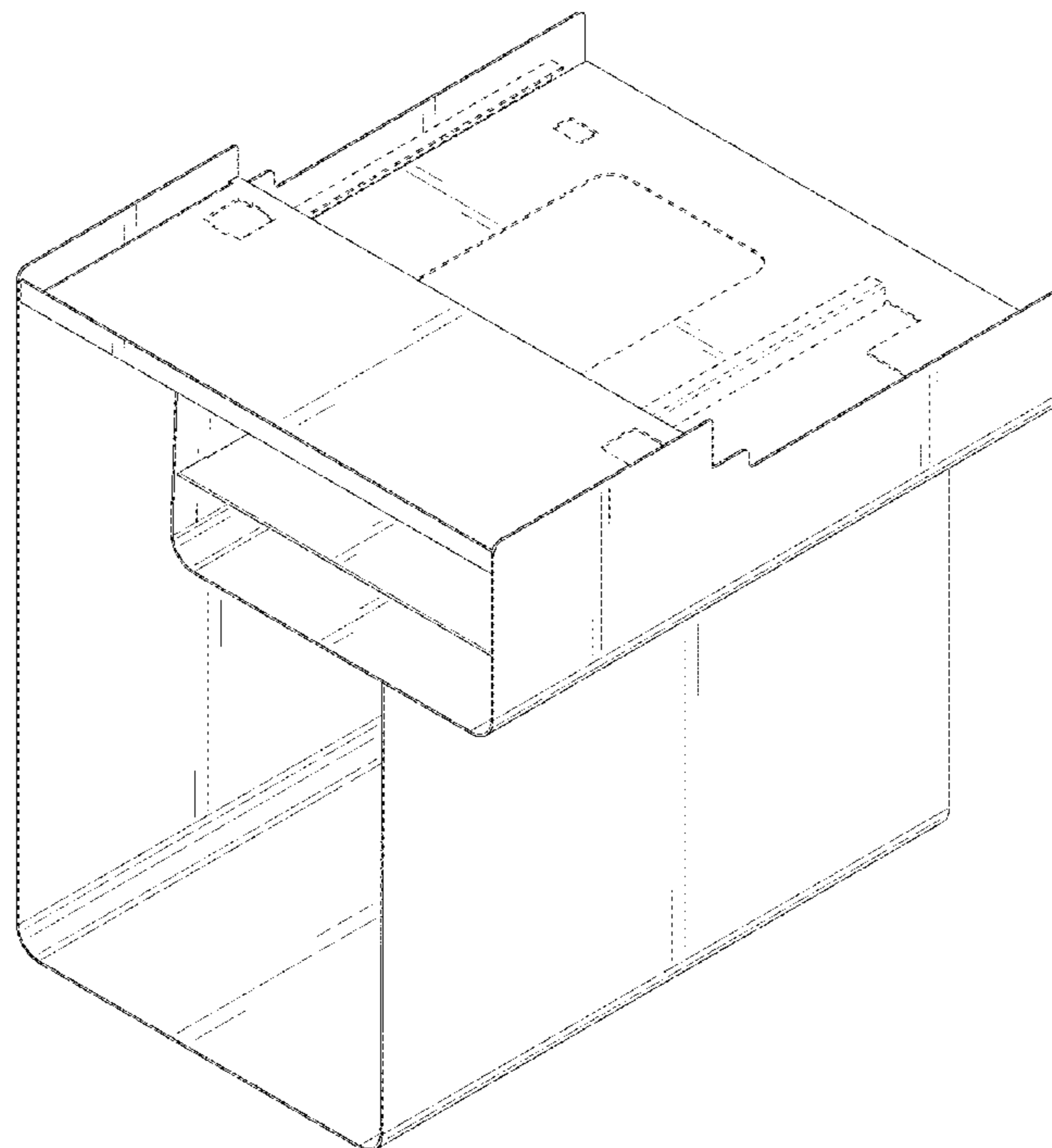
FIG. 7 is a top view thereof.

FIG. 8 is a bottom view thereof; and,

FIG. 9 is another top front right isometric view illustrating  
optional and exemplary environments.

Features shown as evenly-sized broken lines form no part of  
the claimed design. In FIG. 9, features shown as long-short  
broken lines illustrate an optional and exemplary desk  
environment that forms no part of the claimed design and an  
optional and exemplary drawer environment that forms no  
part of the claimed design.

**1 Claim, 9 Drawing Sheets**



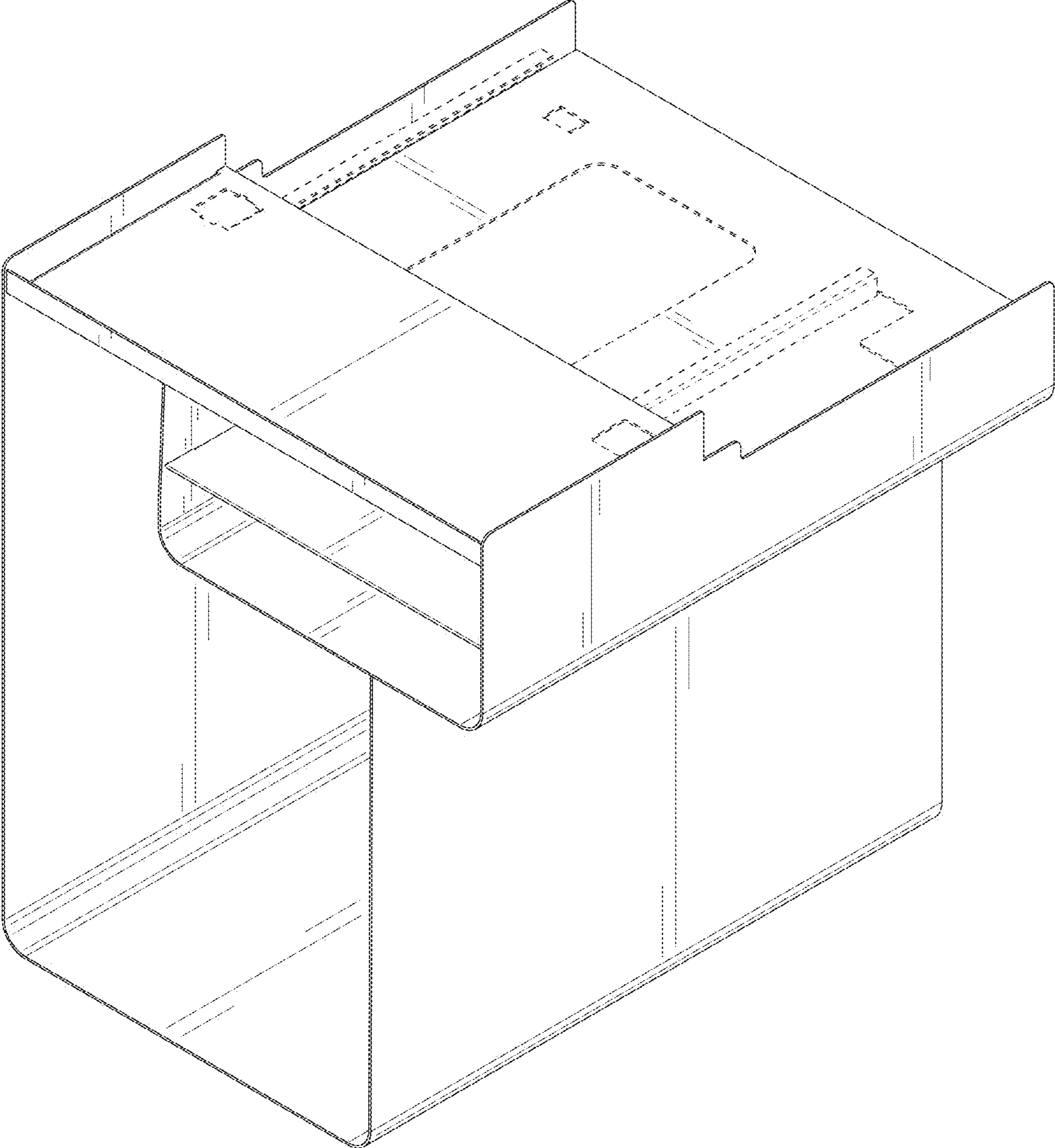


FIG. 1

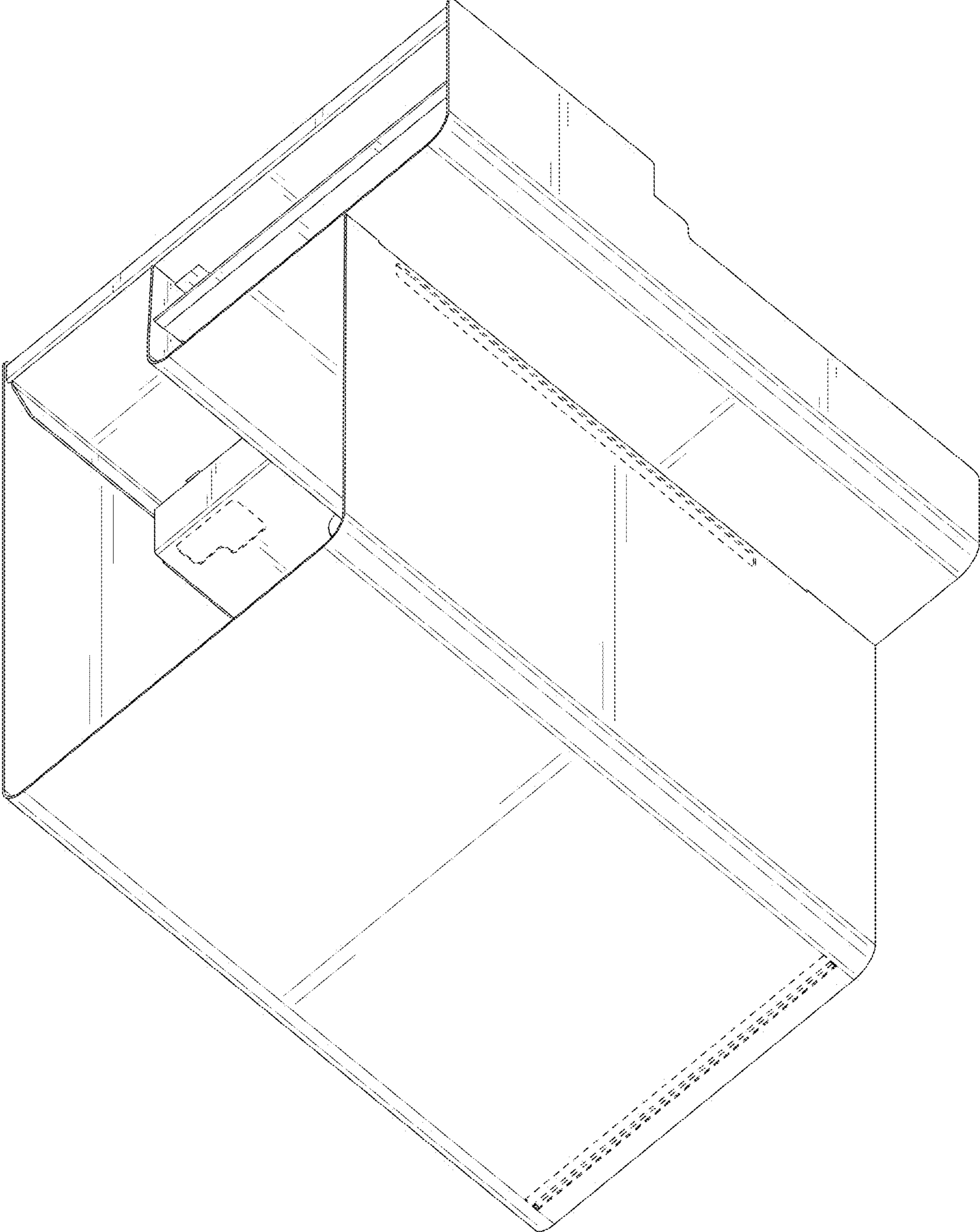


FIG. 2

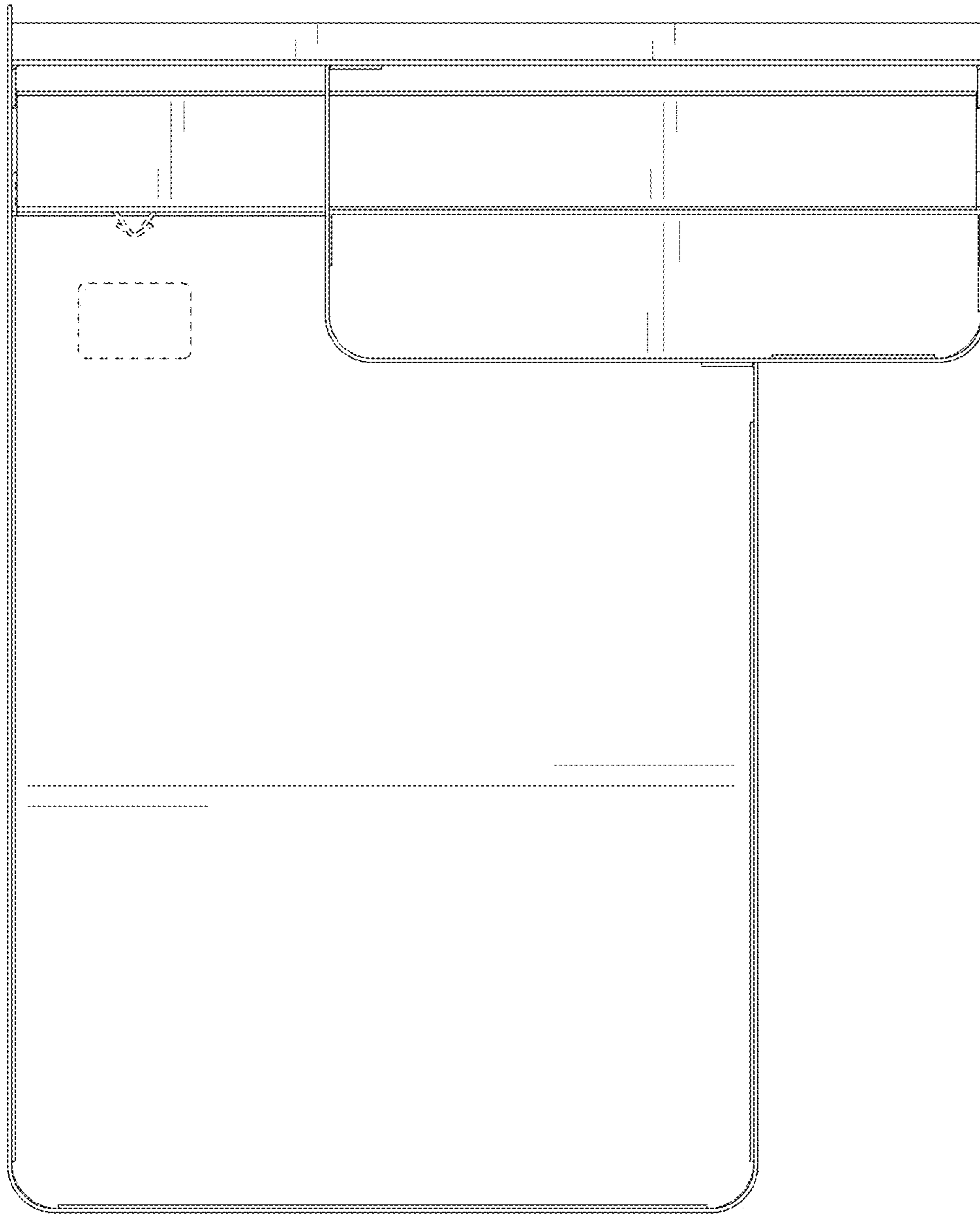


FIG. 3

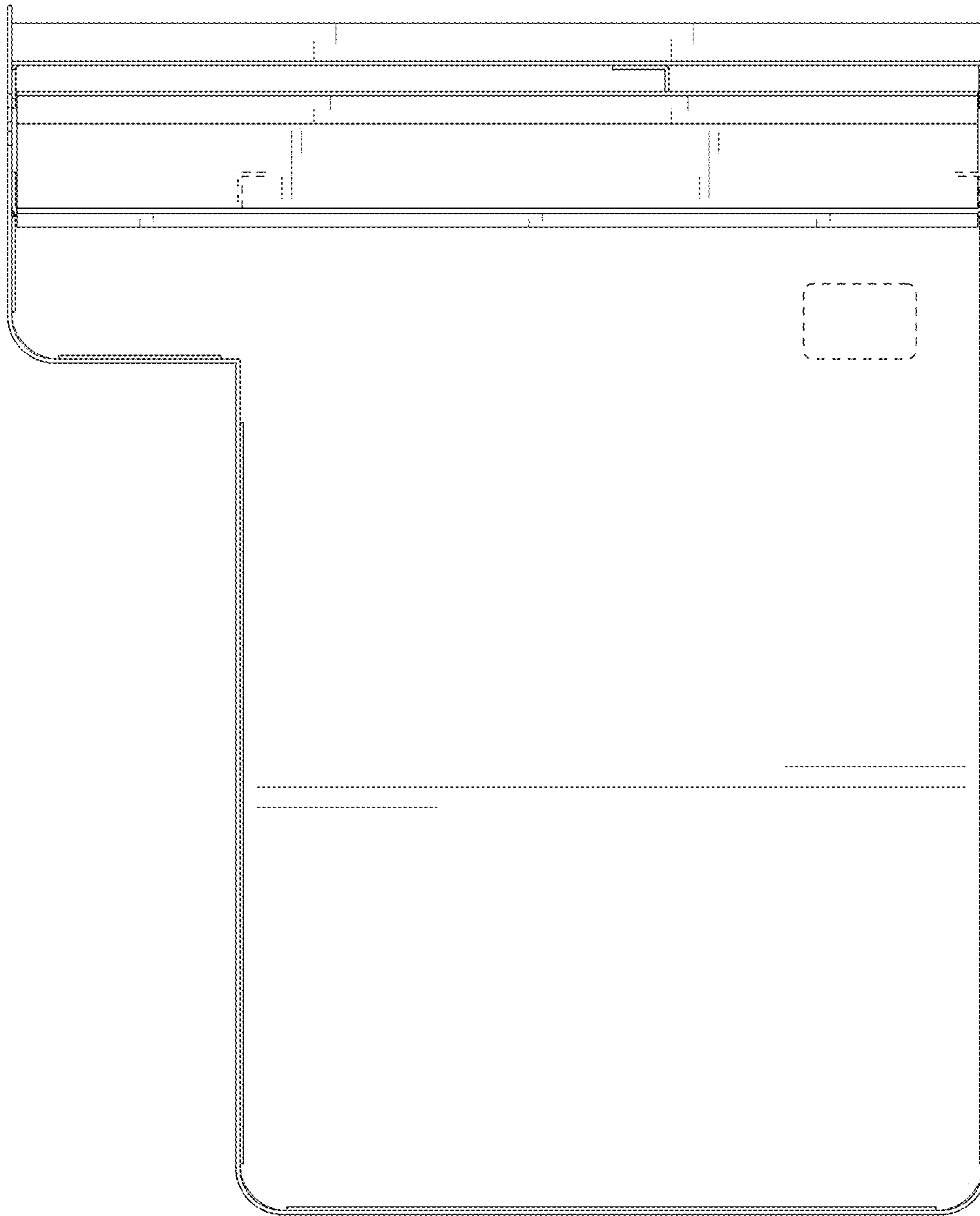


FIG. 4



FIG. 5

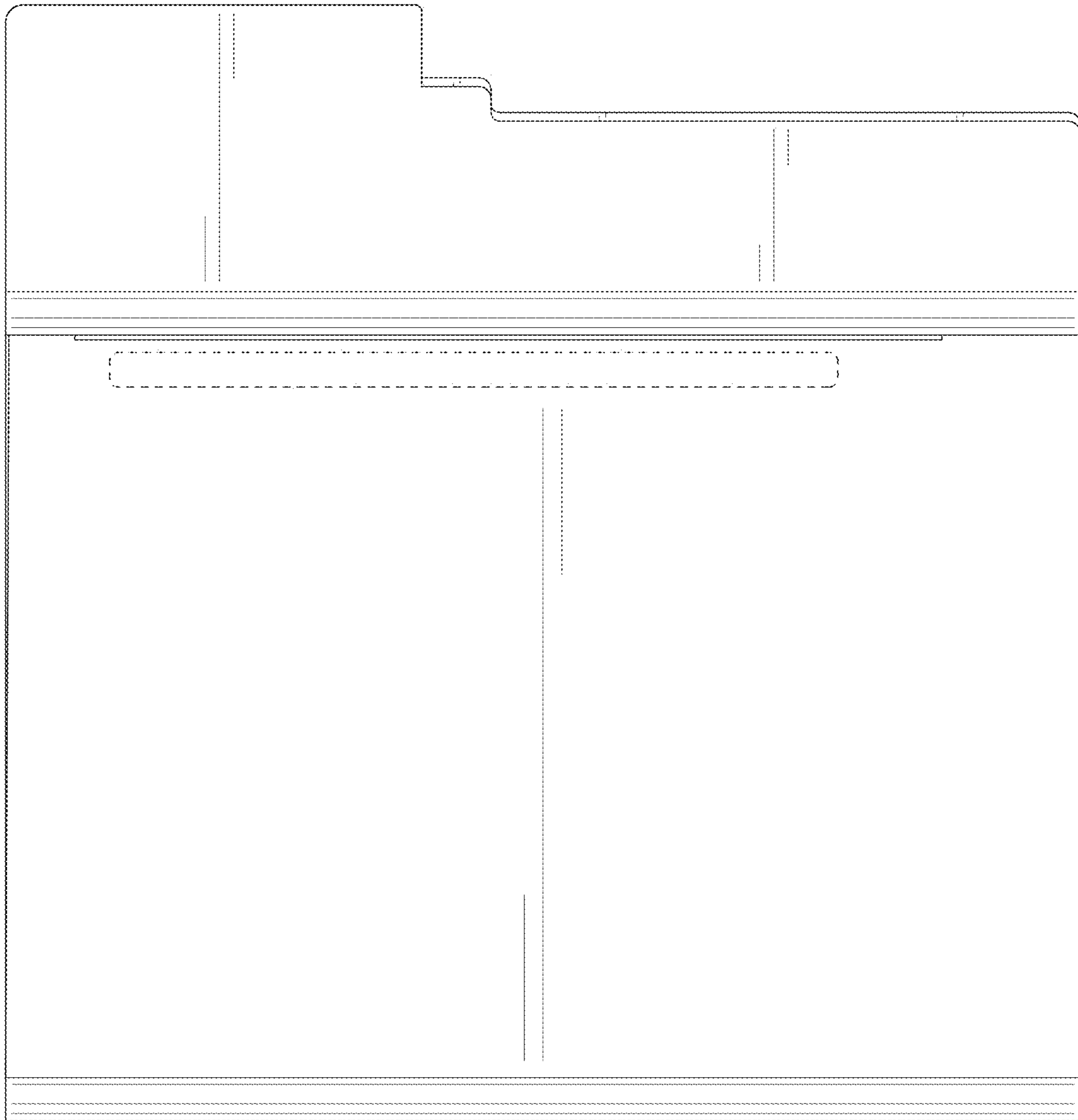


FIG. 6

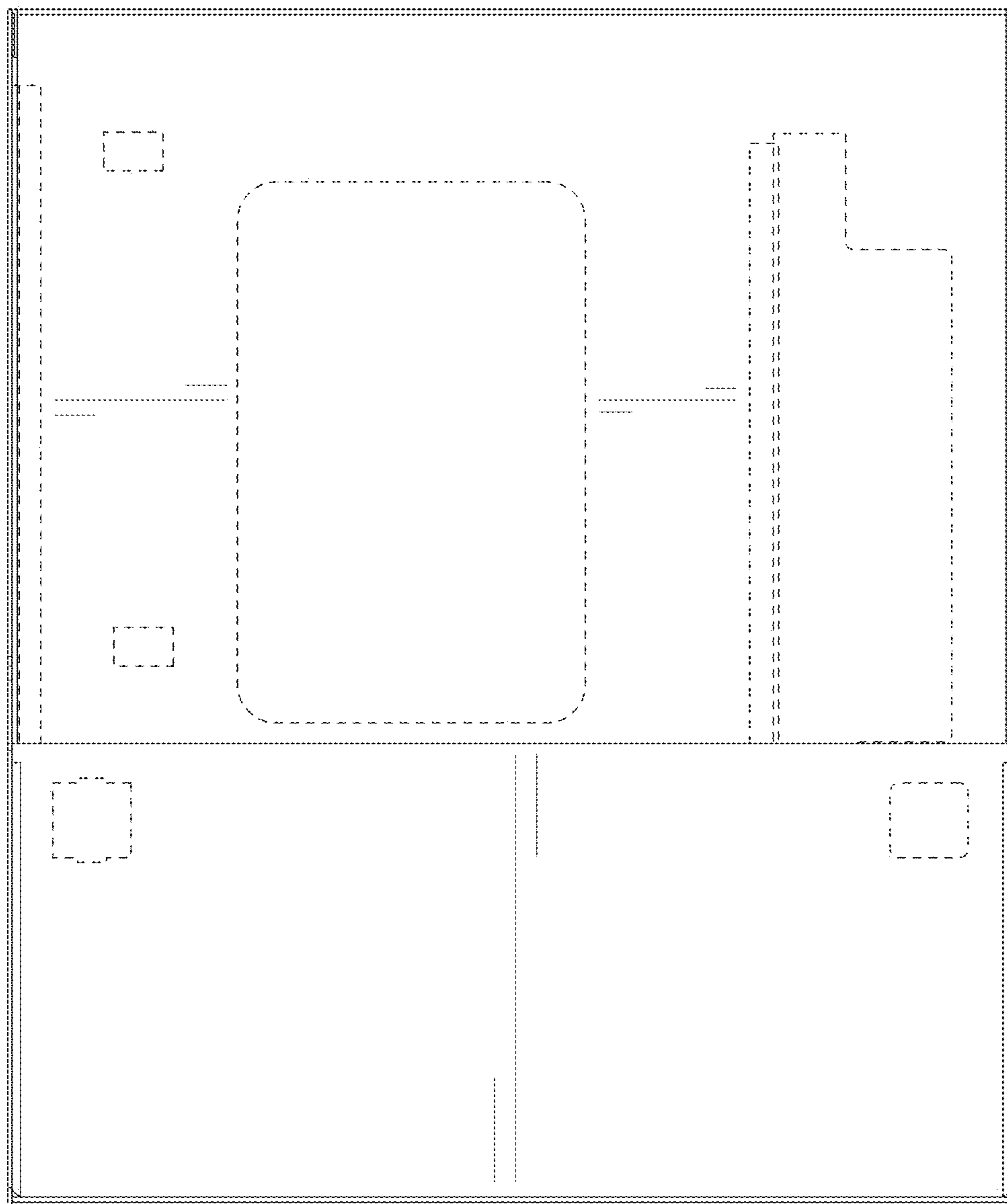


FIG. 7



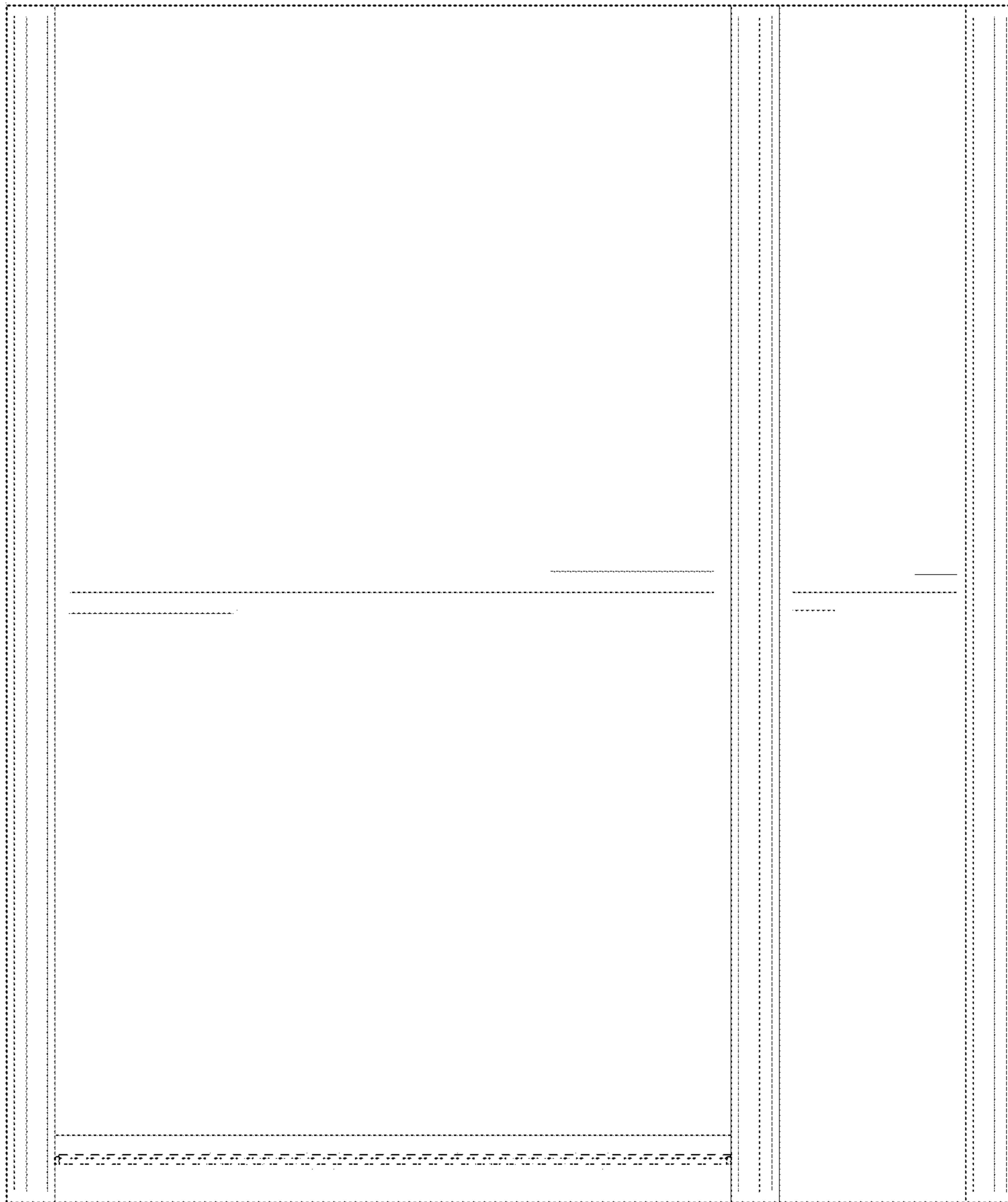


FIG. 8

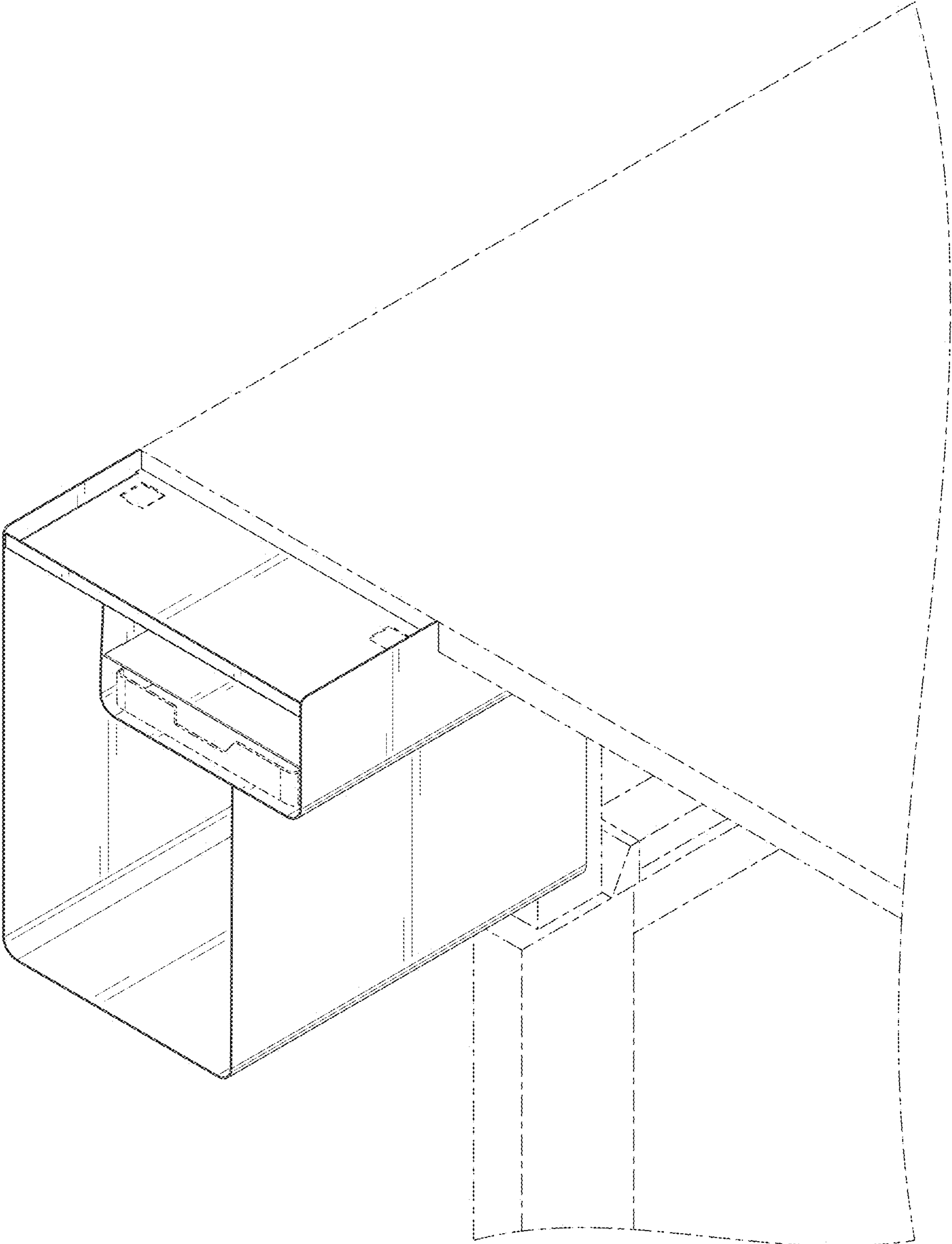


FIG. 9