



US00D869880S

(12) **United States Design Patent**
Ruiz

(10) **Patent No.:** **US D869,880 S**

(45) **Date of Patent:** **** Dec. 17, 2019**

- (54) **BEDSIDE POCKET**
- (71) Applicant: **Mildred Ruiz**, Winter Springs, FL (US)
- (72) Inventor: **Mildred Ruiz**, Winter Springs, FL (US)
- (**) Term: **15 Years**

- 6,845,532 B1 * 1/2005 Rosenblum A47C 27/008
40/661
- D527,562 S * 9/2006 Manning D6/603
- D540,099 S * 4/2007 Tucker D6/610
- D614,431 S * 4/2010 Sands D6/608
- D707,466 S * 6/2014 Lancaster D6/603
- D727,664 S * 4/2015 George D6/608
- D742,533 S * 11/2015 Kang D24/207

(Continued)

- (21) Appl. No.: **29/650,828**
- (22) Filed: **Jun. 11, 2018**
- (51) **LOC (12) Cl.** **06-99**
- (52) **U.S. Cl.**
USPC **D6/606**
- (58) **Field of Classification Search**
USPC D6/333, 349, 355, 375, 388, 512, 563,
D6/564, 595, 596, 601, 602, 603, 604,
D6/605, 606, 607, 608, 707, 715, 716,
D6/716.1; 5/636, 490, 491, 495;
D24/183-184
CPC A47C 17/021; A47C 17/13; A47C 17/132;
A47C 17/136; A47C 17/1655; A47C
17/207; A47G 9/10; A47G 9/1027; A47G
9/1081; A47G 9/1036; A47G 9/1063;
A47G 2009/1018; A47G 9/0238; A47G
9/0246; A47G 9/0253
See application file for complete search history.

OTHER PUBLICATIONS

Google term search results: "bed organizer caddy", [site visited Aug. 8, 2019]. URL:https://www.google.com (Year: 2019).*

Primary Examiner — Michelle E. Wilson
Assistant Examiner — Sanjeev Paul
(74) *Attorney, Agent, or Firm* — Kelly G. Swartz;
Widerman Malek, PL

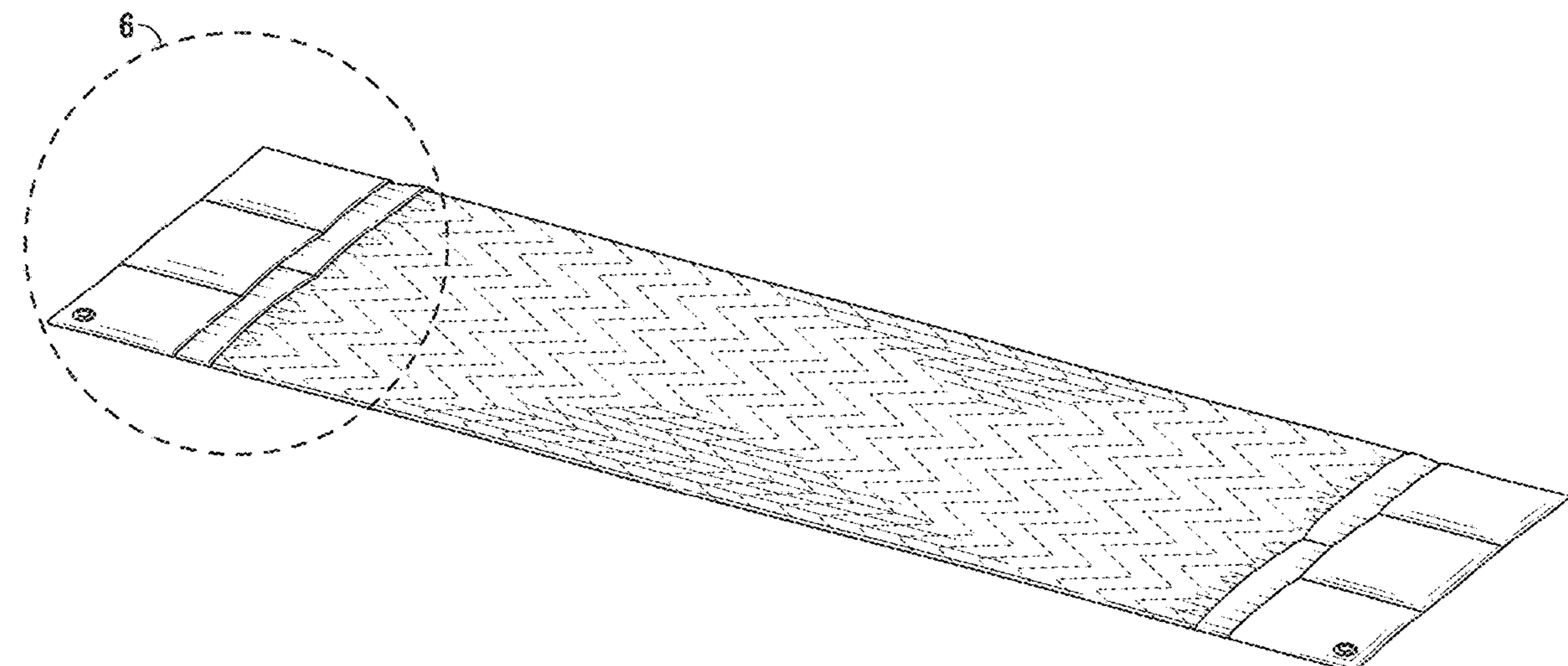
(57) **CLAIM**

The ornamental design for a bedside pocket, as shown and described.

DESCRIPTION

FIG. 1 is a top perspective view of a bedside pocket according to the present invention.
FIG. 2 is a side elevation view of the bedside pocket illustrated in FIG. 1.
FIG. 3 is an end elevation view of the bedside pocket illustrated in FIG. 1.
FIG. 4 is a top plan view of the bedside pocket illustrated in FIG. 1.
FIG. 5 is a bottom plan view of the bedside pocket illustrated in FIG. 1.
FIG. 6 is a close-up view of the inset labeled 6 in FIG. 1; and,
FIG. 7 is an environmental view of the bedside pocket illustrated in FIG. 1 in combination with a bed.
The broken lines depict portions of the bedside pocket or environment that form no part of the claimed invention.

1 Claim, 4 Drawing Sheets



(56)

References Cited

U.S. PATENT DOCUMENTS

D744,263 S * 12/2015 Quinones D2/719
D752,361 S * 3/2016 Cumby D6/601
D850,819 S * 6/2019 Lloyd-Caldwell D6/603
2003/0135925 A1 * 7/2003 Higashi A45C 3/10
5/417

* cited by examiner

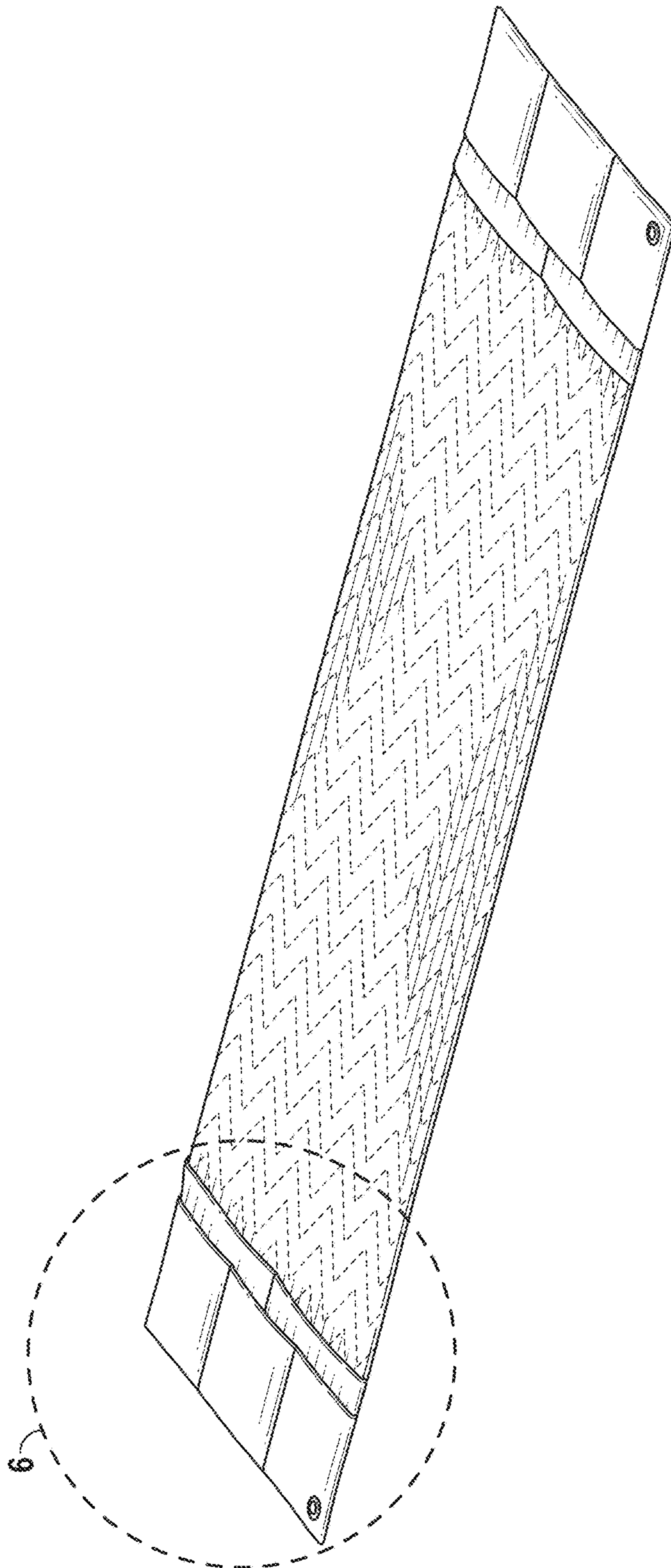


FIG. 1



FIG. 2

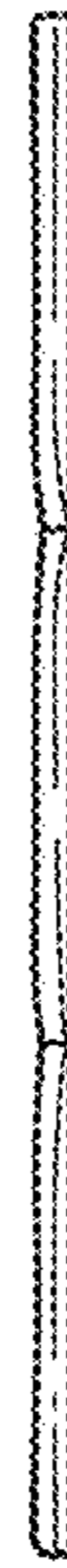


FIG. 3

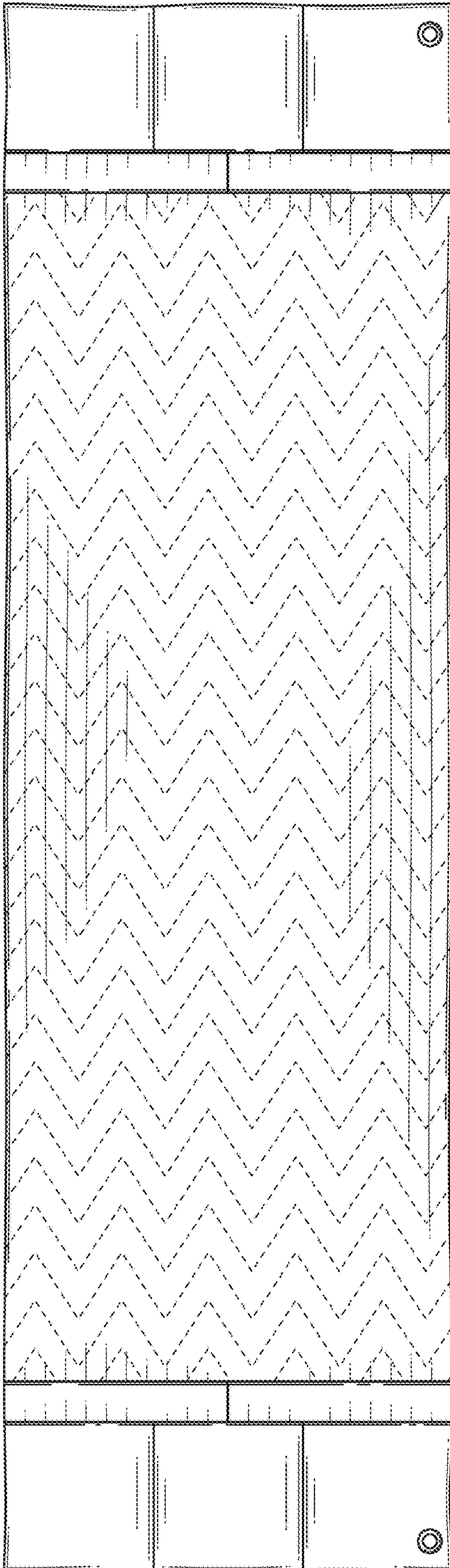


FIG. 4

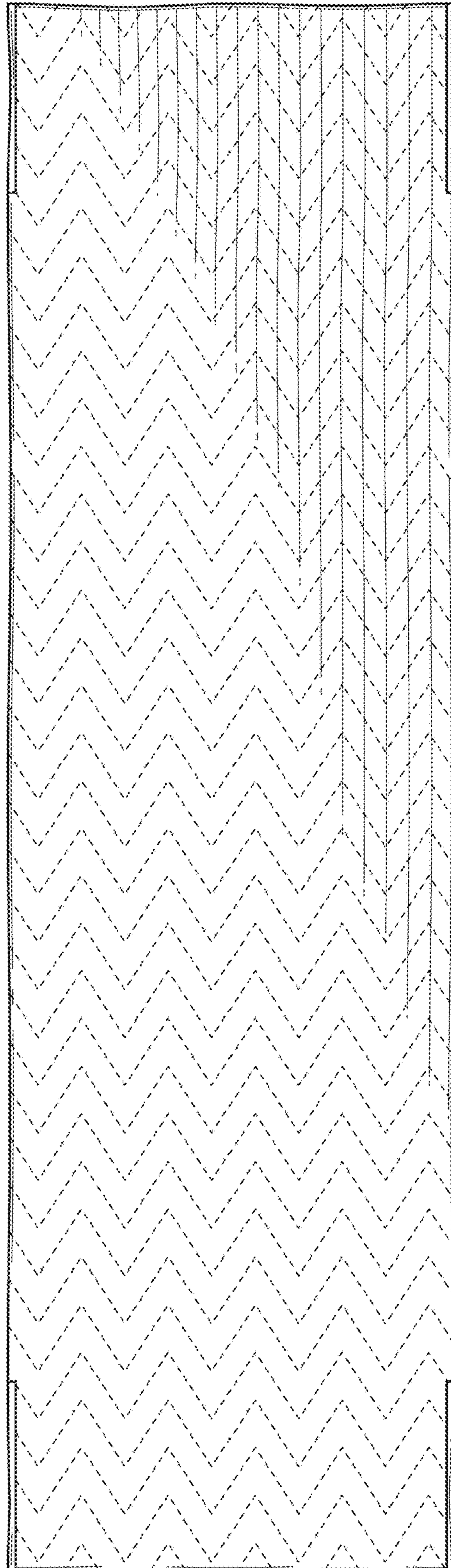


FIG. 5

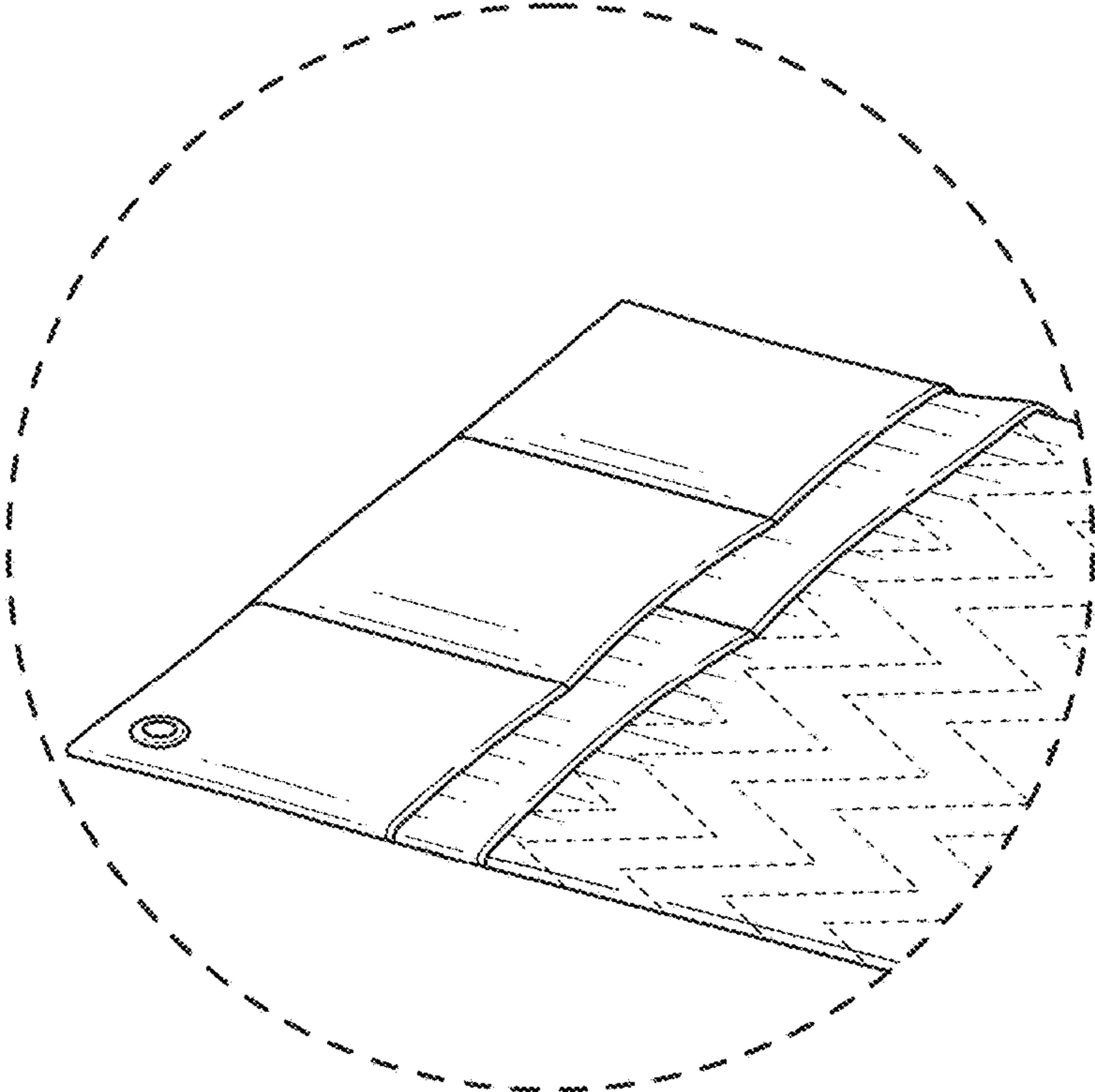


FIG. 6

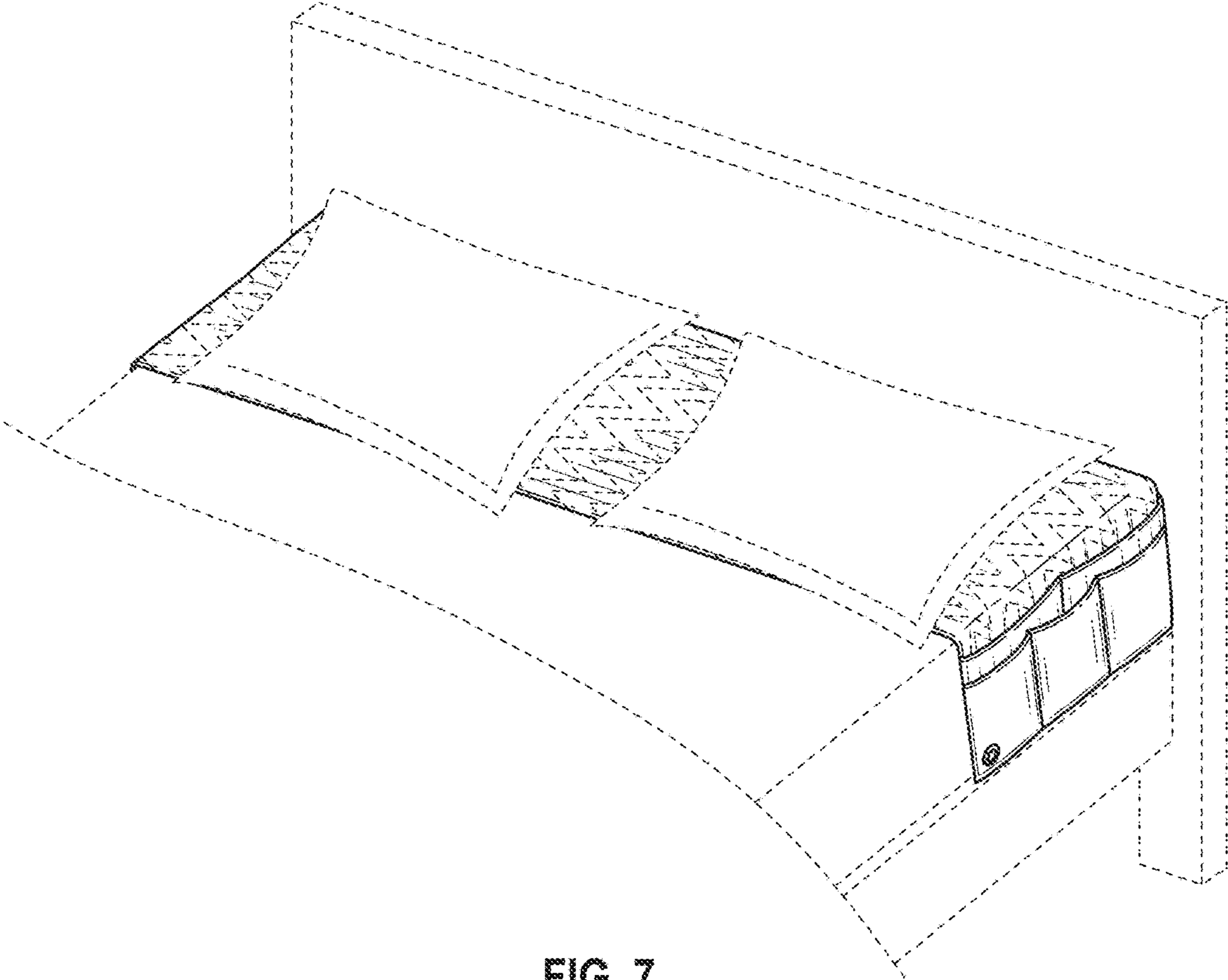


FIG. 7