

US00D869875S

(12) **United States Design Patent**
Luk

(10) **Patent No.:** **US D869,875 S**

(45) **Date of Patent:** **** Dec. 17, 2019**

(54) **FRAME FOR FLORAL ARRANGMENTS**

(71) Applicant: **Edmond K. Chow**, Hong Kong (HK)

(72) Inventor: **Han Luk**, Hong Kong (HK)

(**) Term: **15 Years**

(21) Appl. No.: **29/623,217**

(22) Filed: **Oct. 24, 2017**

(51) **LOC (12) Cl.** **11-02**

(52) **U.S. Cl.**

USPC **D6/558**

(58) **Field of Classification Search**

USPC D6/403–405, 556–558; D11/143–156,
D11/164; D3/273, 279; D9/414, 424,
D9/432; D34/5, 11

CPC A01G 2009/003; A01G 9/00; A01G 9/02;
A01G 9/021; A01G 9/023; A01G 9/024;
A01G 9/025; A01G 9/029; A01G 9/0291;
A01G 9/0295; A01G 9/033; A01G 9/04;
A01G 9/042; A01G 9/012; A01G 5/04;
A47G 7/00; A47G 7/06; A47G 7/08

See application file for complete search history.

(56) **References Cited**

U.S. PATENT DOCUMENTS

183,611	A *	10/1876	Westcott	A01G 9/12 47/47
276,430	A *	4/1883	Lambert	A01G 5/04 248/27.8
352,660	A *	11/1886	Pitt	E06B 9/0661 160/161
583,235	A *	5/1897	McCormick	E06B 3/481 160/159
1,063,502	A *	6/1913	Bryan	A01G 9/12 47/44

1,095,238	A *	5/1914	Shaddock	A01G 9/12 190/17
D79,213	S *	8/1929	Scott et al.	D6/558
D108,093	S *	1/1938	White	D11/143
D124,303	S *	12/1940	Ceatham	D11/143
D156,405	S *	12/1949	BuGay	D25/100
D156,406	S *	12/1949	BuGay	248/311.2
RE23,812	E *	3/1954	White	A01G 5/04 248/27.8
2,988,837	A *	6/1961	Hutton	A47G 33/06 156/61
3,145,766	A *	8/1964	Wickham	E01F 13/02 160/135
3,458,384	A *	7/1969	Radus	A01G 5/04 24/357
D239,853	S *	5/1976	Kienlen et al.	D11/147
D257,694	S *	12/1980	Olsen	D25/38.1
4,816,310	A *	3/1989	Truyens	A47B 43/00 160/136
5,535,803	A *	7/1996	Pretorius	E06B 9/063 160/136
10,098,453	B1 *	10/2018	Xu	A01G 9/12

* cited by examiner

Primary Examiner — Elizabeth A. Albert

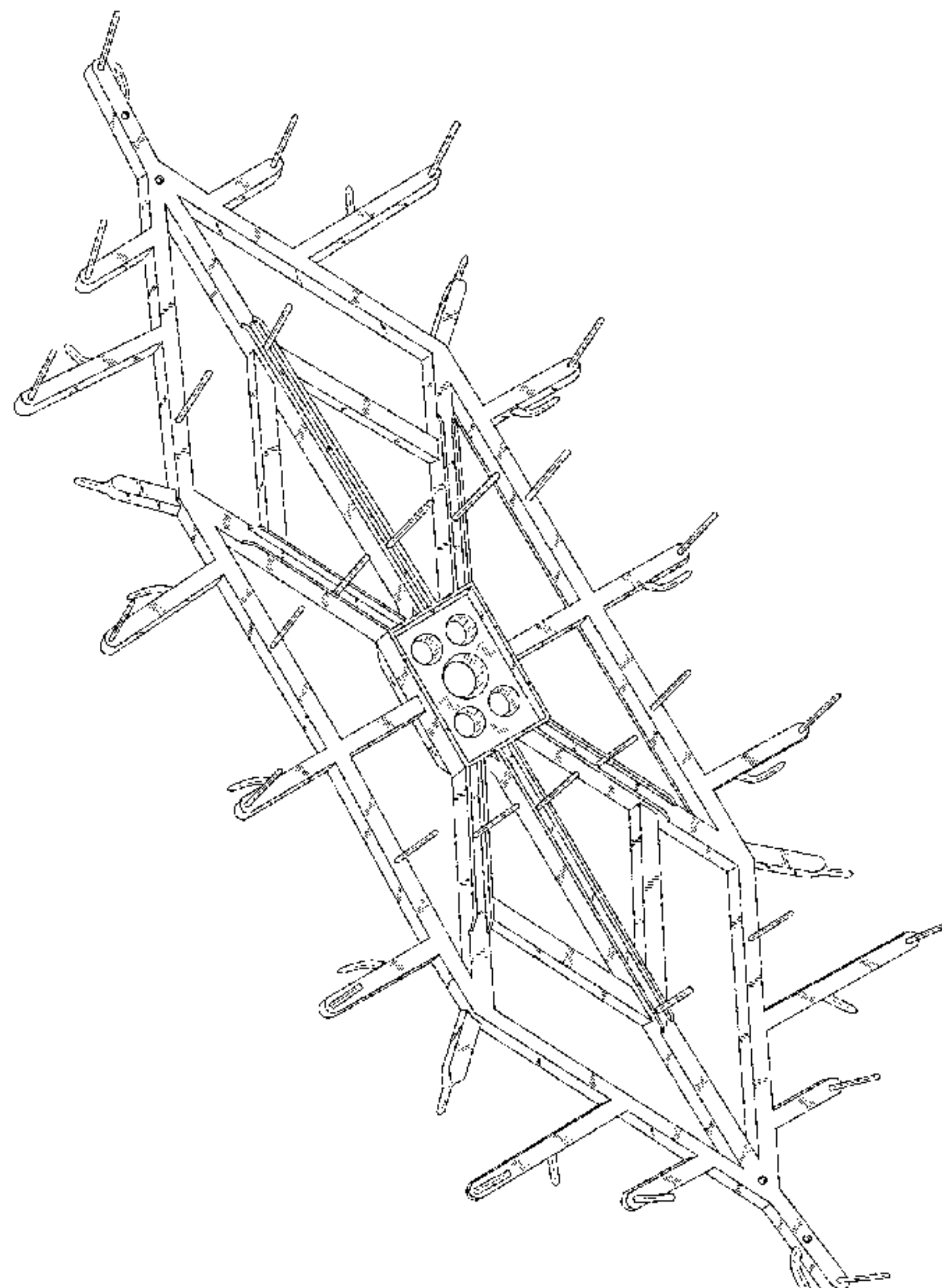
(57) **CLAIM**

The ornamental design for a frame for floral arrangements, as shown and described.

DESCRIPTION

FIG. 1 is a perspective view of a frame for floral arrangements showing the new design;
FIG. 2 is another perspective view thereof, but from the opposite side of that shown in FIG. 1;
FIG. 3 is a top or bottom perspective view thereof;
FIG. 4 is a side perspective view thereof; and,
FIG. 5 is yet another perspective view thereof, showing only a portion of the design shown in FIG. 1.

1 Claim, 5 Drawing Sheets



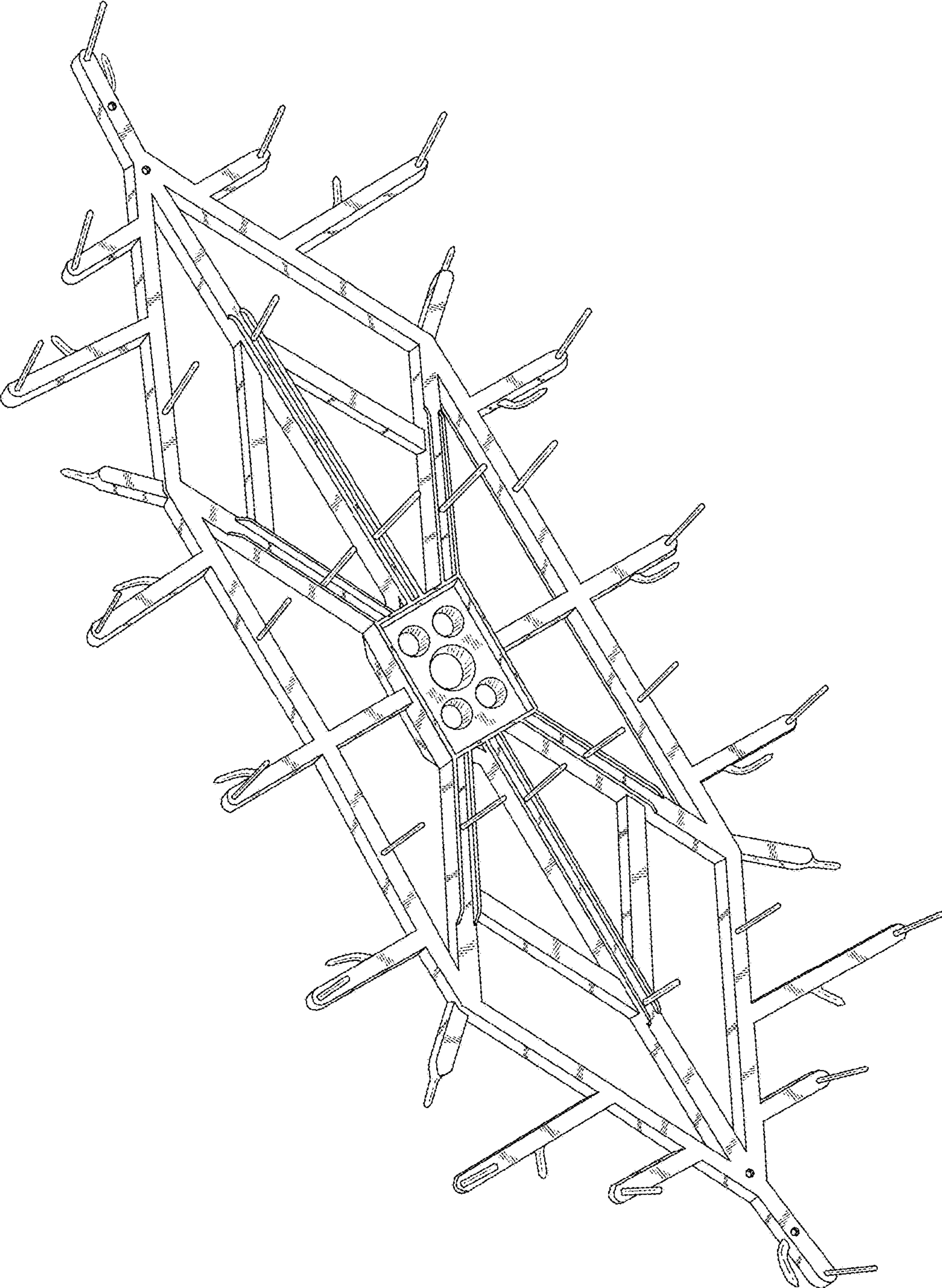


FIG. 1

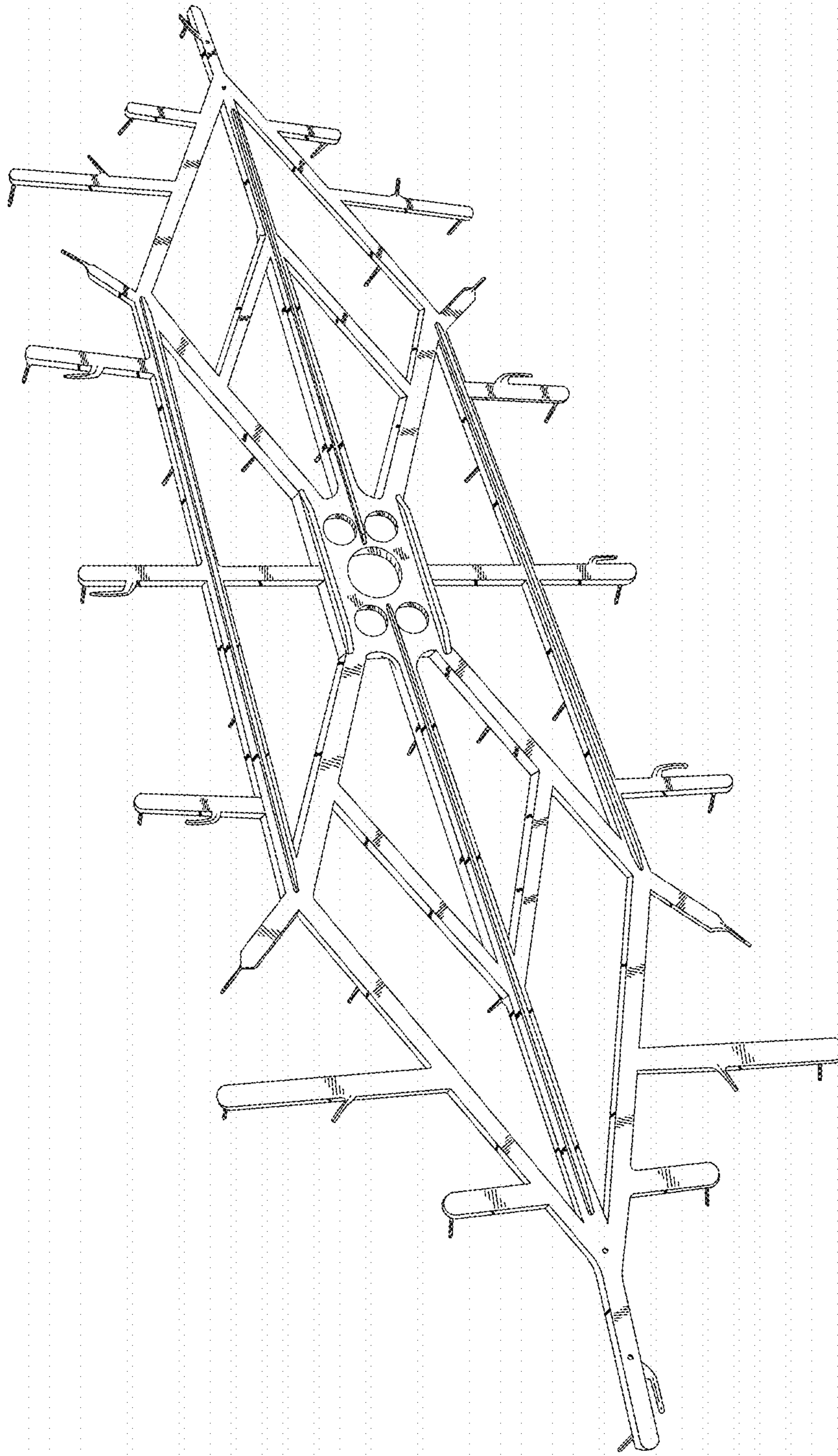


FIG. 2

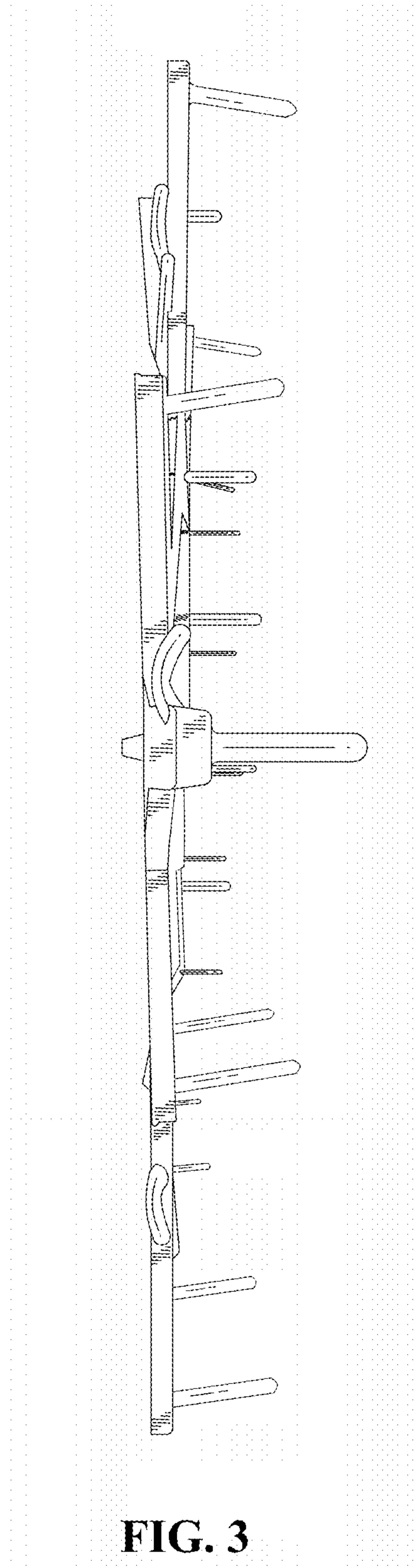


FIG. 3

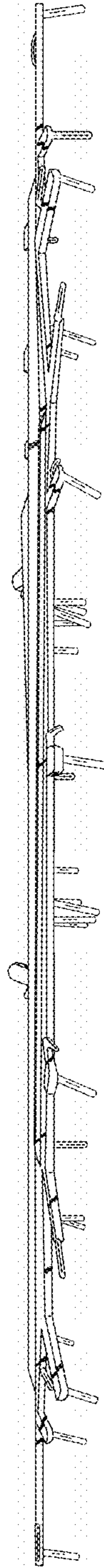


FIG. 4

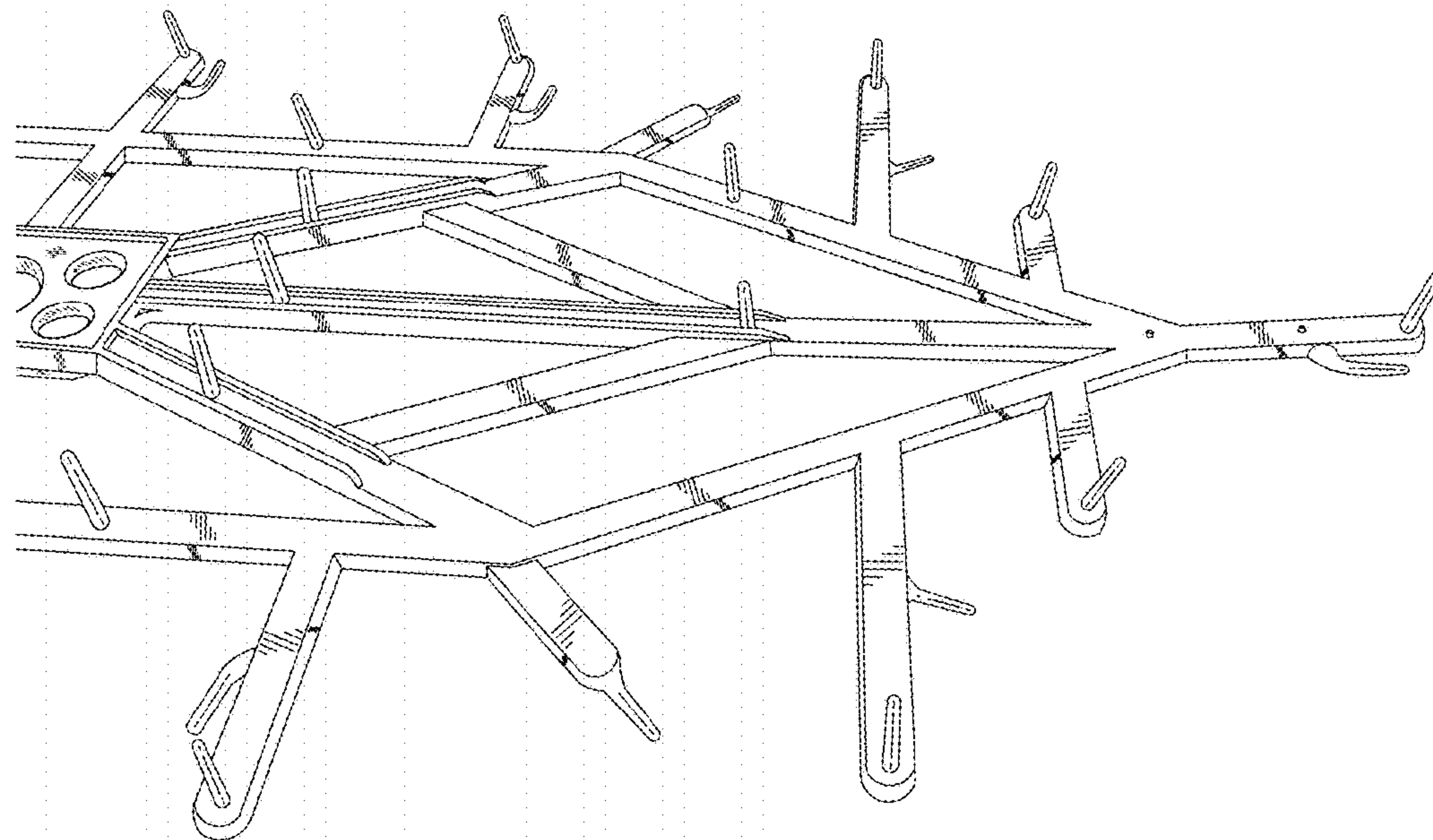


FIG. 5