



US00D869871S

(12) **United States Design Patent** (10) **Patent No.:** **US D869,871 S**
Hemmelrath et al. (45) **Date of Patent:** **** Dec. 17, 2019**

(54) **VEHICLE SEATS**

(71) Applicant: **ADIENT ENGINEERING AND IP GMBH**, Burscheid (DE)

(72) Inventors: **Rudolf-Wilhelm Hemmelrath**, Leverkusen (DE); **Laurence Finnegan**, Cologne (DE); **Thomas Gunkel**, Ratingen (DE); **Thomas Frotz**, Wermelskirchen (DE); **Kaushal Kumar Singh**, Uttar Pradesh (IN)

(73) Assignee: **Adient Engineering and IP GmbH**, Burscheid (DE)

(**) Term: **15 Years**

(21) Appl. No.: **35/504,625**

(22) Filed: **Mar. 6, 2018**

(80) **Hague Agreement Data**

Int. Filing Date: **Mar. 6, 2018**
 Int. Reg. No.: **DM/100122**
 Int. Reg. Date: **Mar. 6, 2018**
 Int. Reg. Pub. Date: **Mar. 23, 2018**

(30) **Foreign Application Priority Data**

Sep. 7, 2017 (EM) 004245652-0001
 Sep. 7, 2017 (EM) 004245652-0002
 Sep. 7, 2017 (EM) 004245652-0003

(51) **LOC (12) Cl.** **06-01**

(52) **U.S. Cl.**
USPC **D6/356**

(58) **Field of Classification Search**
 USPC D6/335, 336, 356; D21/421
 CPC B60N 2/00; B60N 2/015; B60N 2/01575;
 B60N 2/02; B60N 2/06; B60N 2/20;
 B60N 2/24; B60N 3/0001

See application file for complete search history.

(56) **References Cited**

U.S. PATENT DOCUMENTS

D612,641	S	*	3/2010	Smit	D6/366
D648,944	S	*	11/2011	Renfrew	D6/336
D682,571	S	*	5/2013	Ali	D6/356
D707,048	S	*	6/2014	Nishida	D6/356
D742,806	S	*	11/2015	Vissers	D12/421
D742,807	S	*	11/2015	Vissers	B60N 2/02 D12/421
D758,952	S	*	6/2016	Erhel	B60N 2/68 D12/421
9,415,709	B2	*	8/2016	Ito	B60N 2/68
D788,481	S	*	6/2017	Kumagai	D6/356
D839,013	S	*	1/2019	Ray	D6/356
2002/0070594	A1	*	6/2002	Mochizuki	B60N 2/02 297/344.1

* cited by examiner

Primary Examiner — Mary Ann Calabrese

(74) *Attorney, Agent, or Firm* — McGlew and Tuttle, P.C.

(57) **CLAIM**

The ornamental design for a vehicle seat, as shown and described.

DESCRIPTION

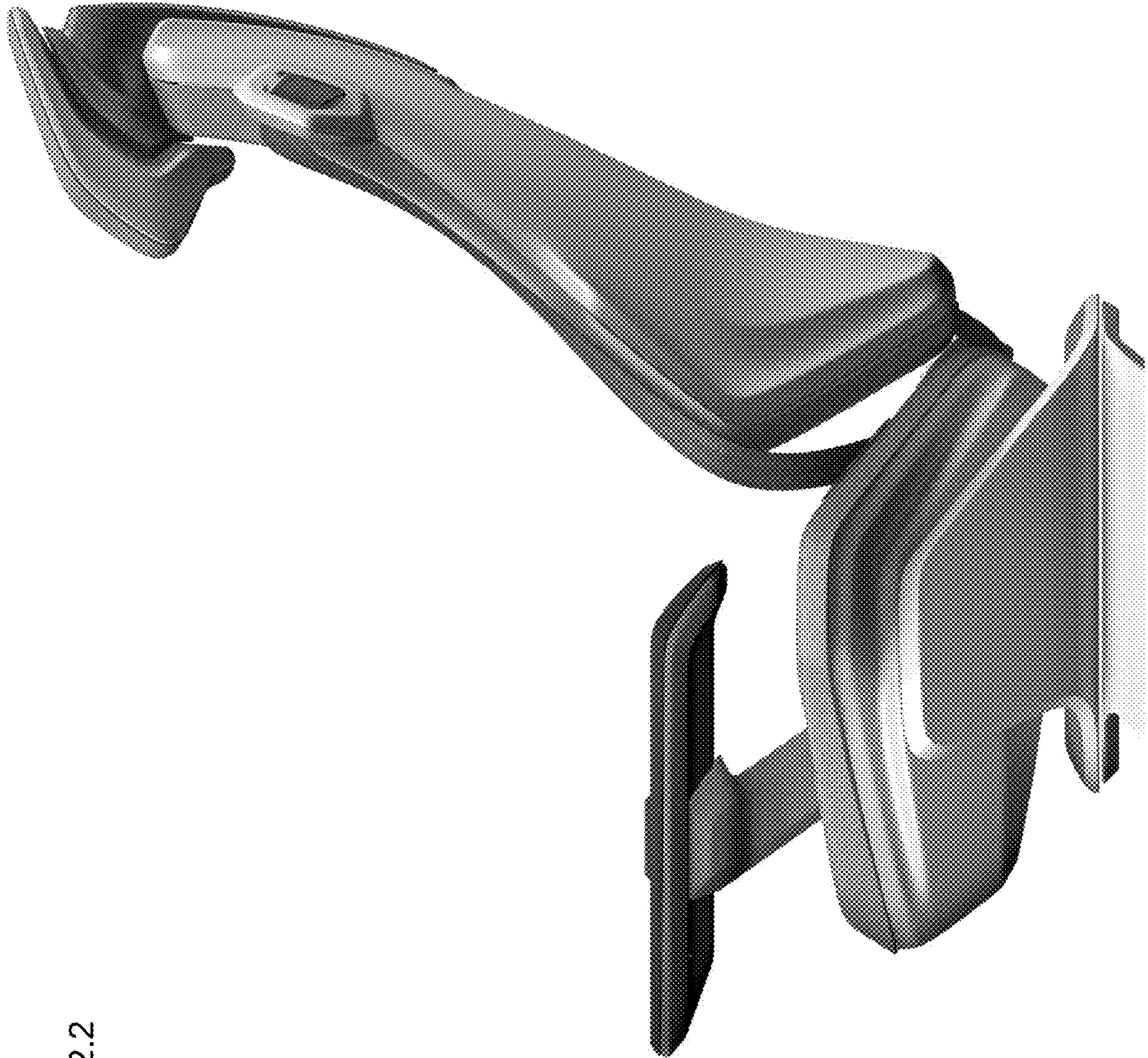
- 2.-3. Vehicle seats
- 2.1 : Bottom
- 2.2 : Left
- 2.3 : Perspective
- 2.4 : Right
- 2.5 : Back
- 2.6 : Front
- 2.7 : Top
- 3.1 : Bottom
- 3.2 : Left
- 3.3 : Back
- 3.4 : Right
- 3.5 : Front
- 3.6 : Top
- 3.7 : Perspective

1 Claim, 14 Drawing Sheets

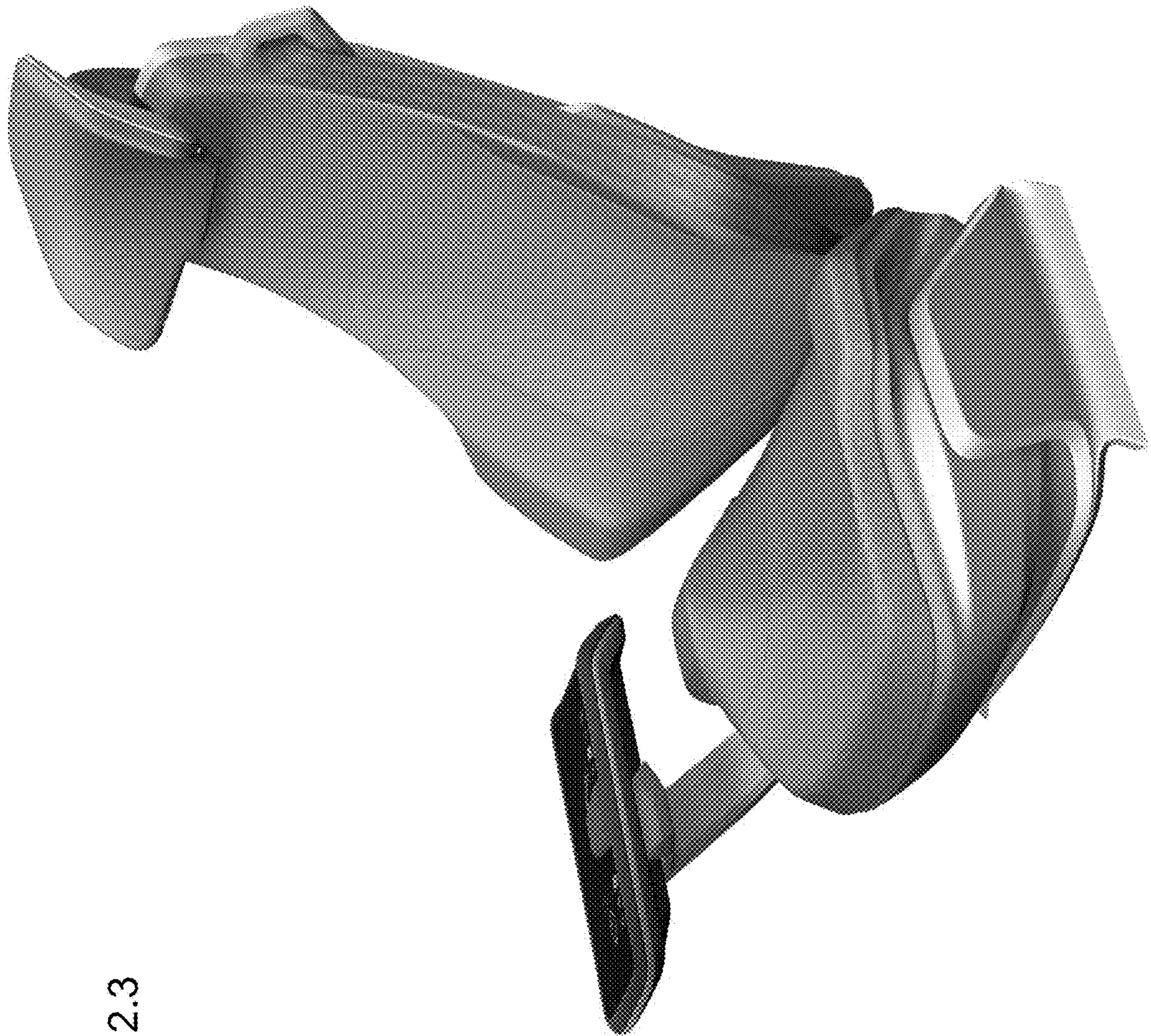




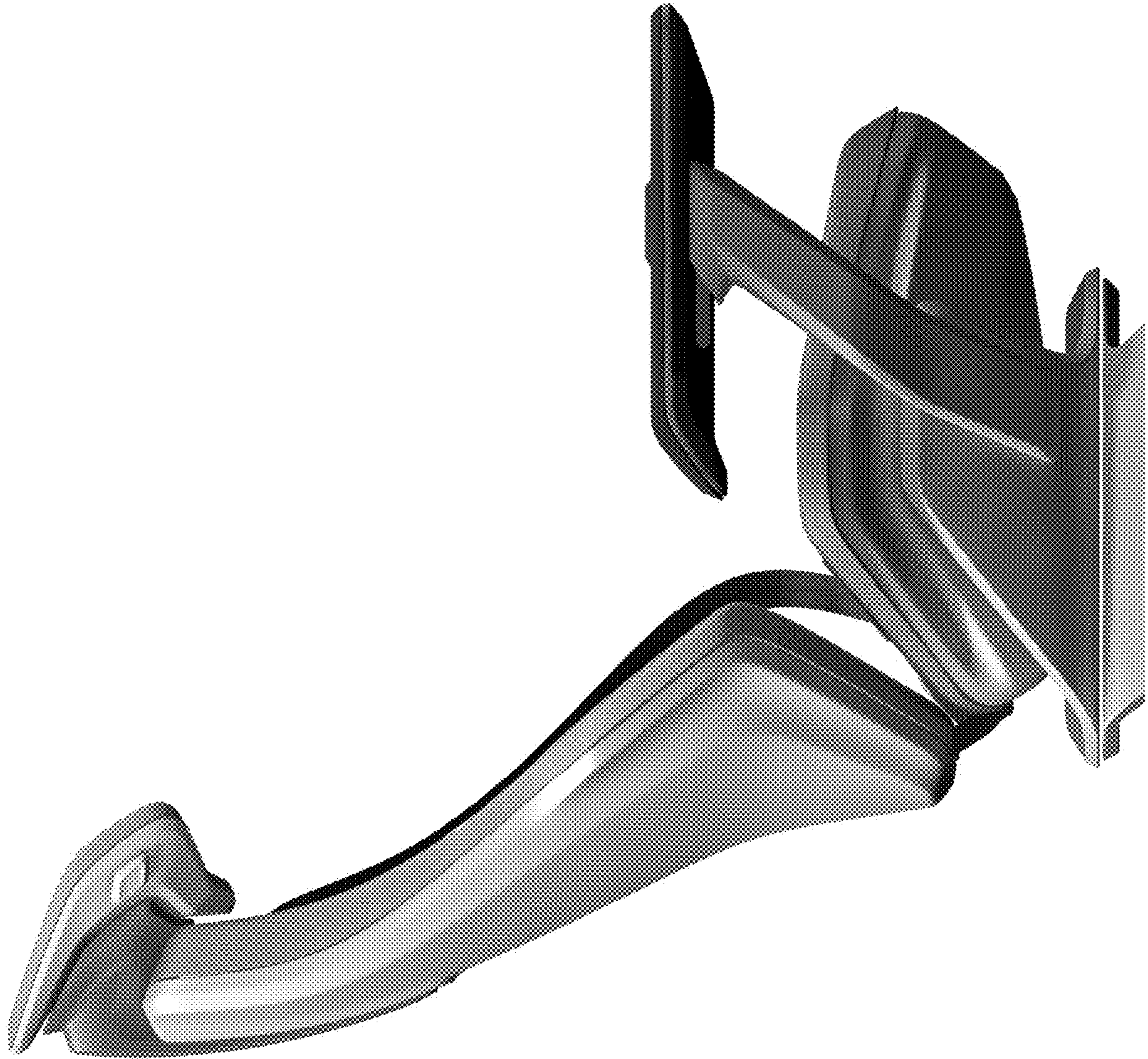
2.1



2.2



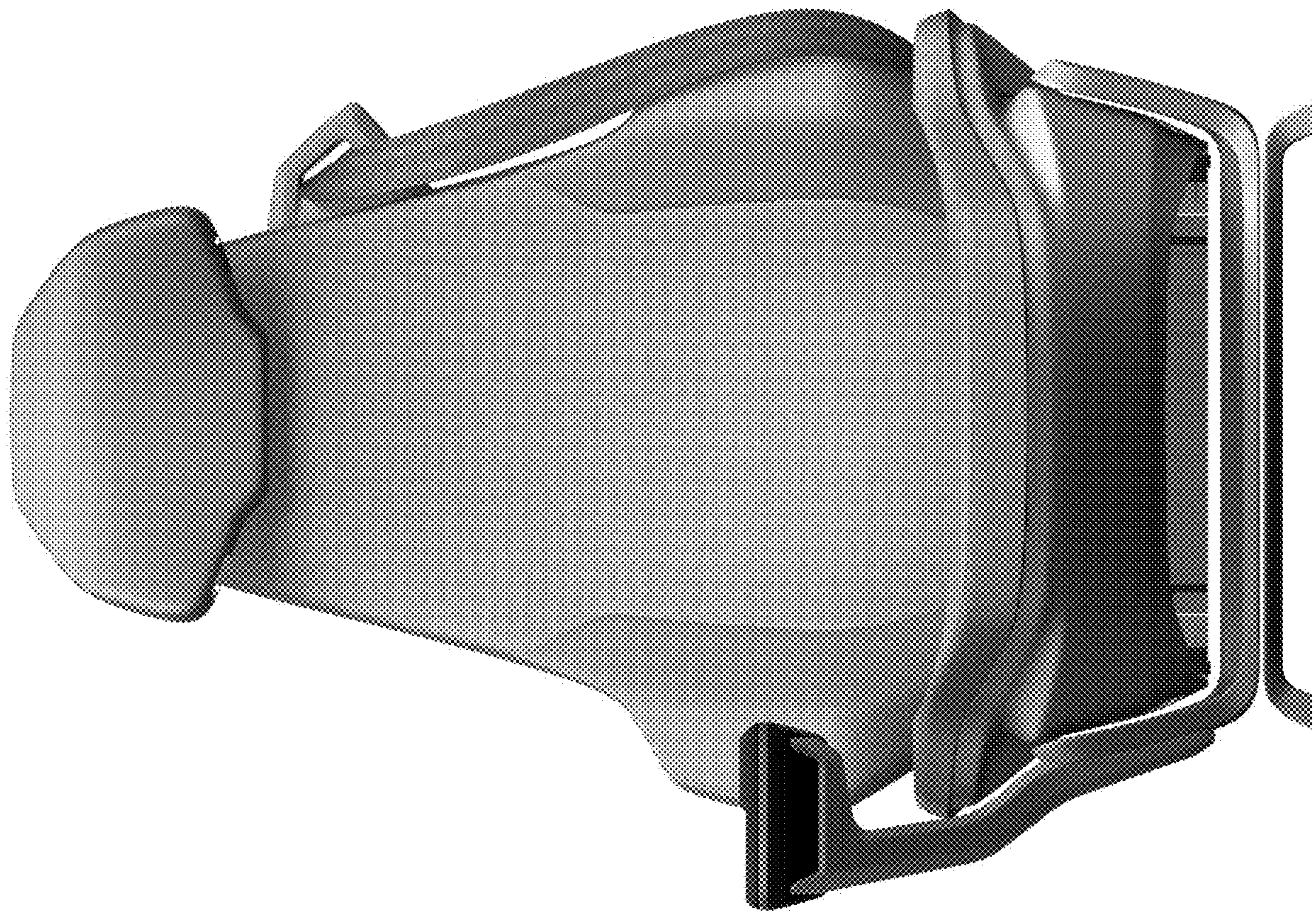
2.3



2.4



2.5



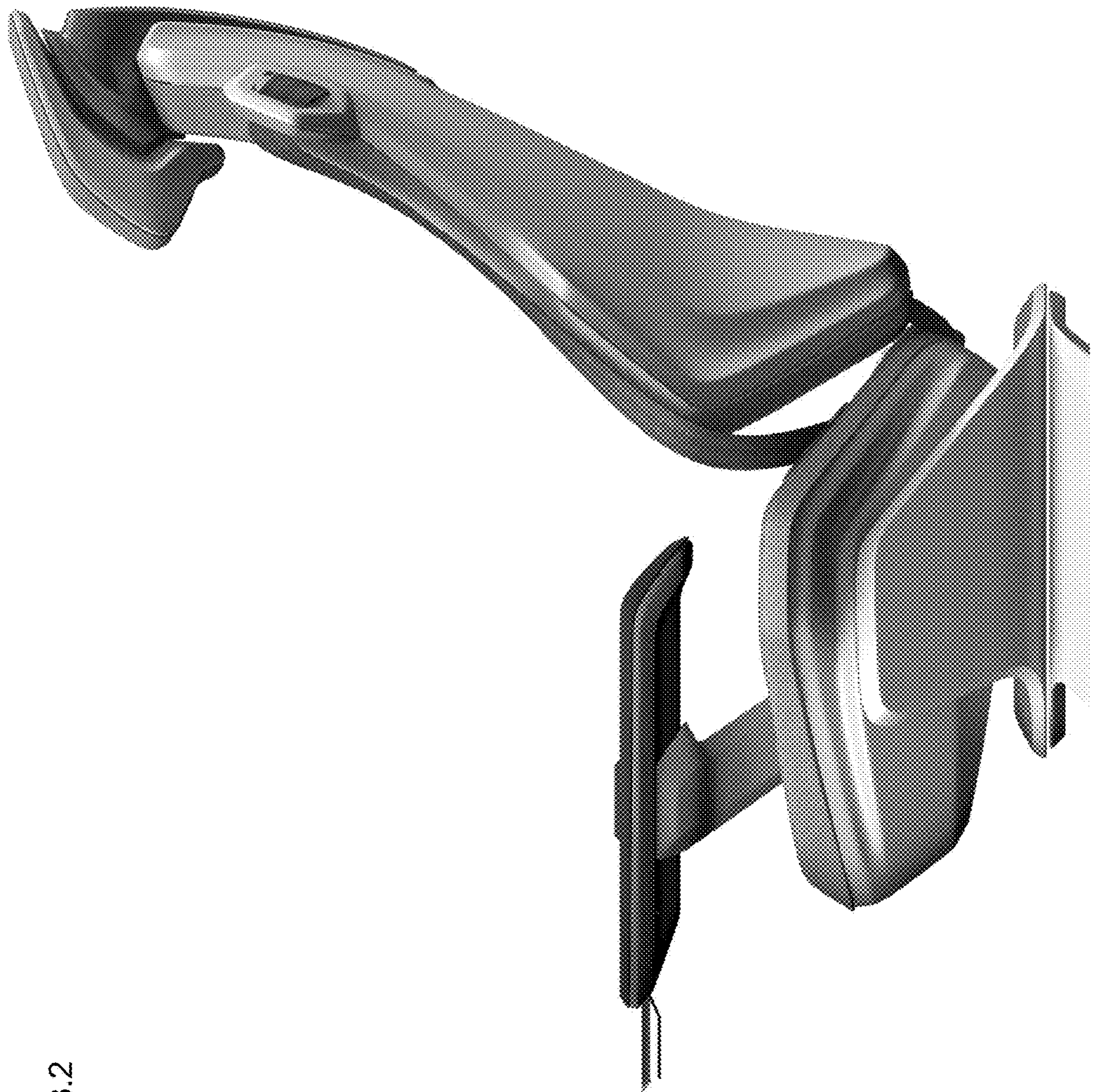
2.6



2.7



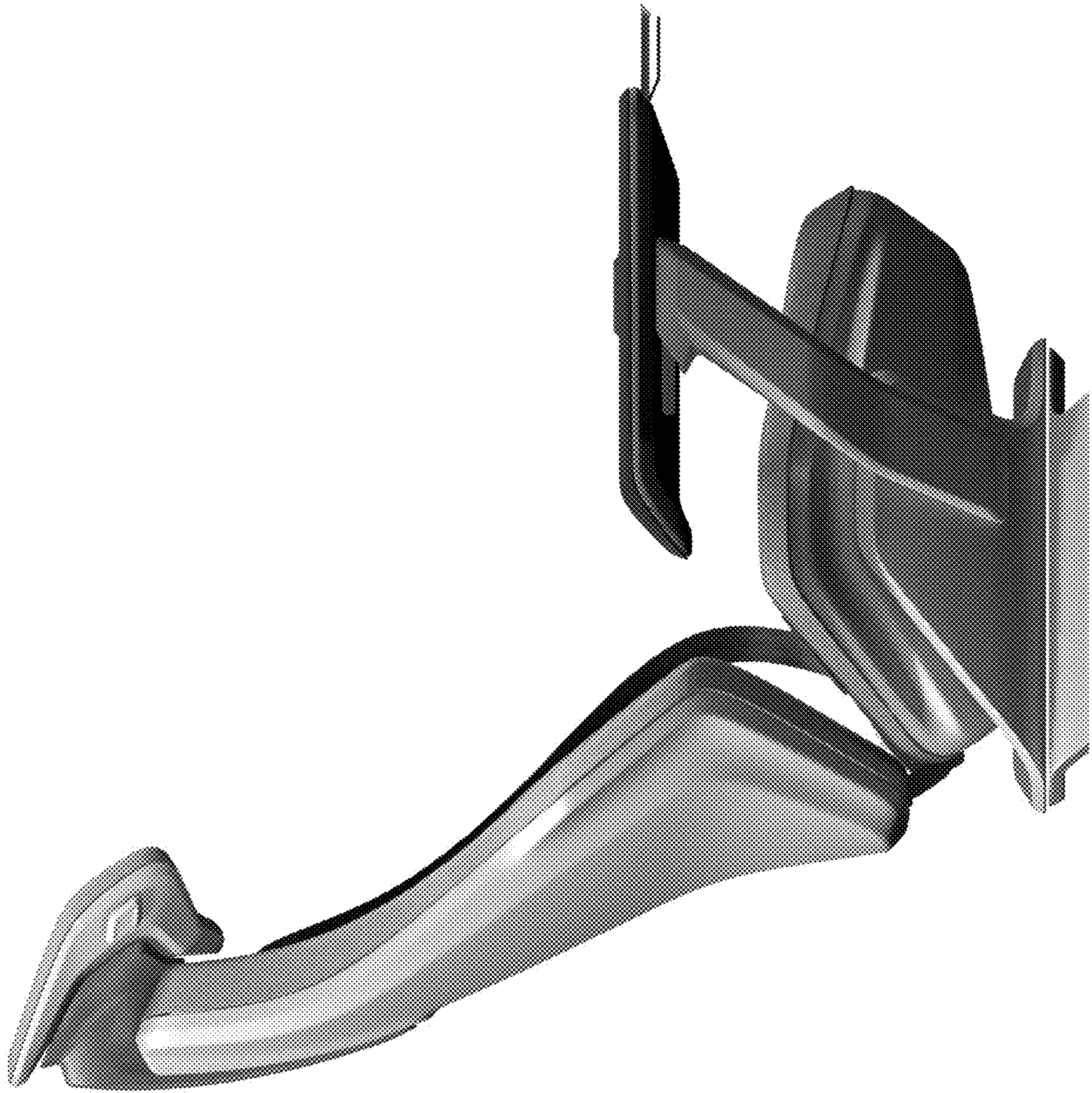
3.1



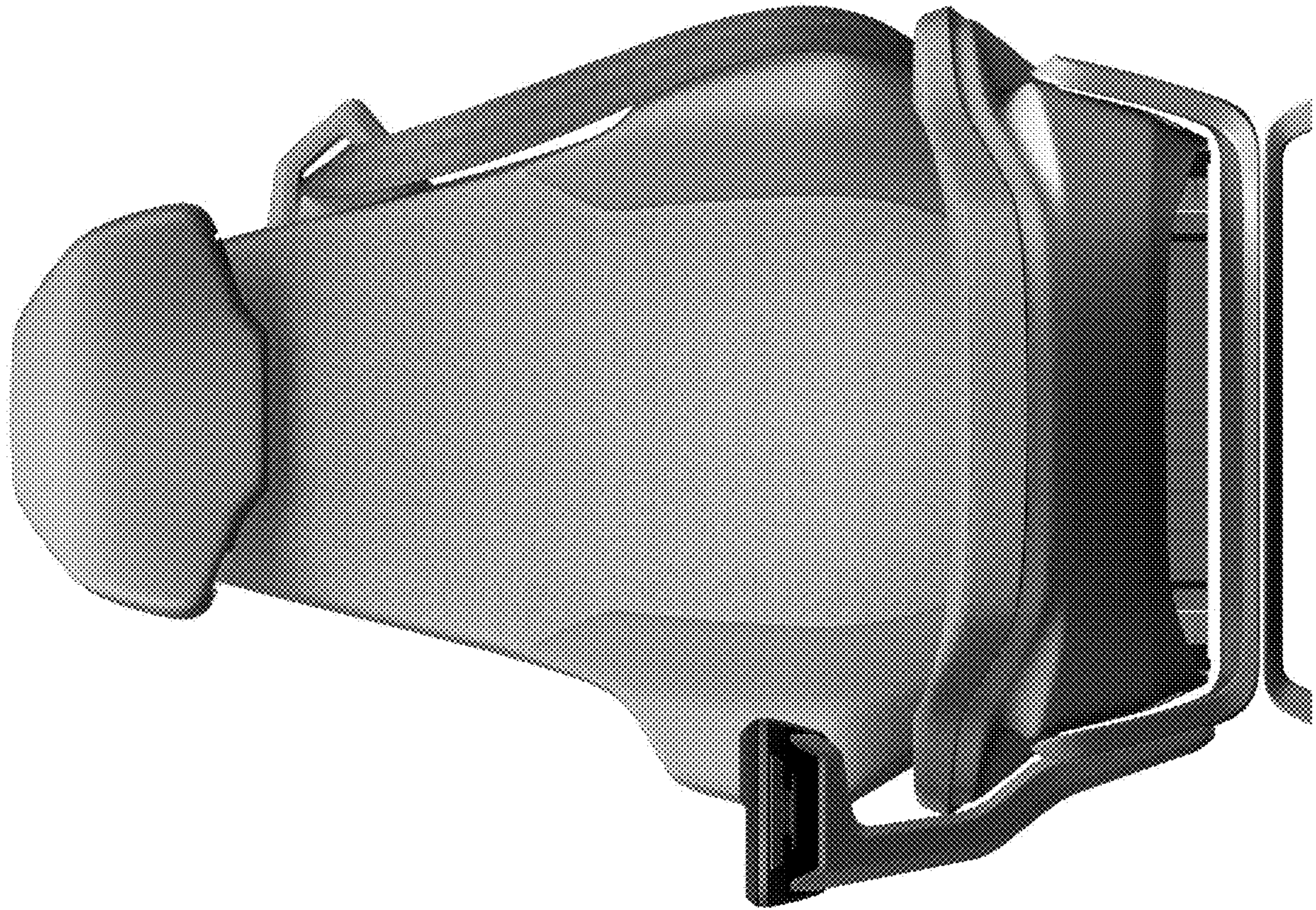
3.2



3.3



3.4



3.5



3.6



3.7