



US00D869870S

(12) **United States Design Patent** (10) **Patent No.:** **US D869,870 S**
Lo (45) **Date of Patent:** **** Dec. 17, 2019**

(54) **CHAIR**
(71) Applicant: **Ten Square Inc**, Bethpage, NY (US)
(72) Inventor: **Roger Lo**, Bethpage, NY (US)
(73) Assignee: **Ten Square Inc.**, Bethpage, NY (US)
(**) Term: **15 Years**
(21) Appl. No.: **29/654,994**
(22) Filed: **Jun. 29, 2018**
(51) **LOC (12) Cl.** **06-01**
(52) **U.S. Cl.**
USPC **D6/349**
(58) **Field of Classification Search**
USPC D6/334-338, 340-343, 349-353, 355,
D6/365-365, 691-691.9, 692-692.6,
D6/716-716.1; D25/65
CPC A47B 7/00-02; A47C 11/00; A47C 12/00;
A47C 13/00; A47C 16/00; A47C
16/02-04; A47C 9/00-105; A47K 17/02;
A47K 17/028
See application file for complete search history.

(56) **References Cited**
U.S. PATENT DOCUMENTS
D379,271 S * 5/1997 Starck D6/349
6,015,190 A * 1/2000 Wend A47C 4/52
297/16.1

D478,752 S * 8/2003 Gilbert D6/374
D479,051 S * 9/2003 Darst D6/335
6,886,660 B2 * 5/2005 Sapatova A47C 12/02
182/228.2
6,957,865 B1 * 10/2005 Adams A47B 91/024
297/344.12
D526,517 S * 8/2006 Adams D6/374
D552,366 S * 10/2007 Graves D6/367
7,953,316 B1 * 5/2011 Mamaclay G03B 17/568
206/316.2
D645,679 S * 9/2011 Gilbert D6/716.1
8,240,769 B1 * 8/2012 Story A47C 16/00
297/423.1
D698,163 S * 1/2014 Edwards D6/349

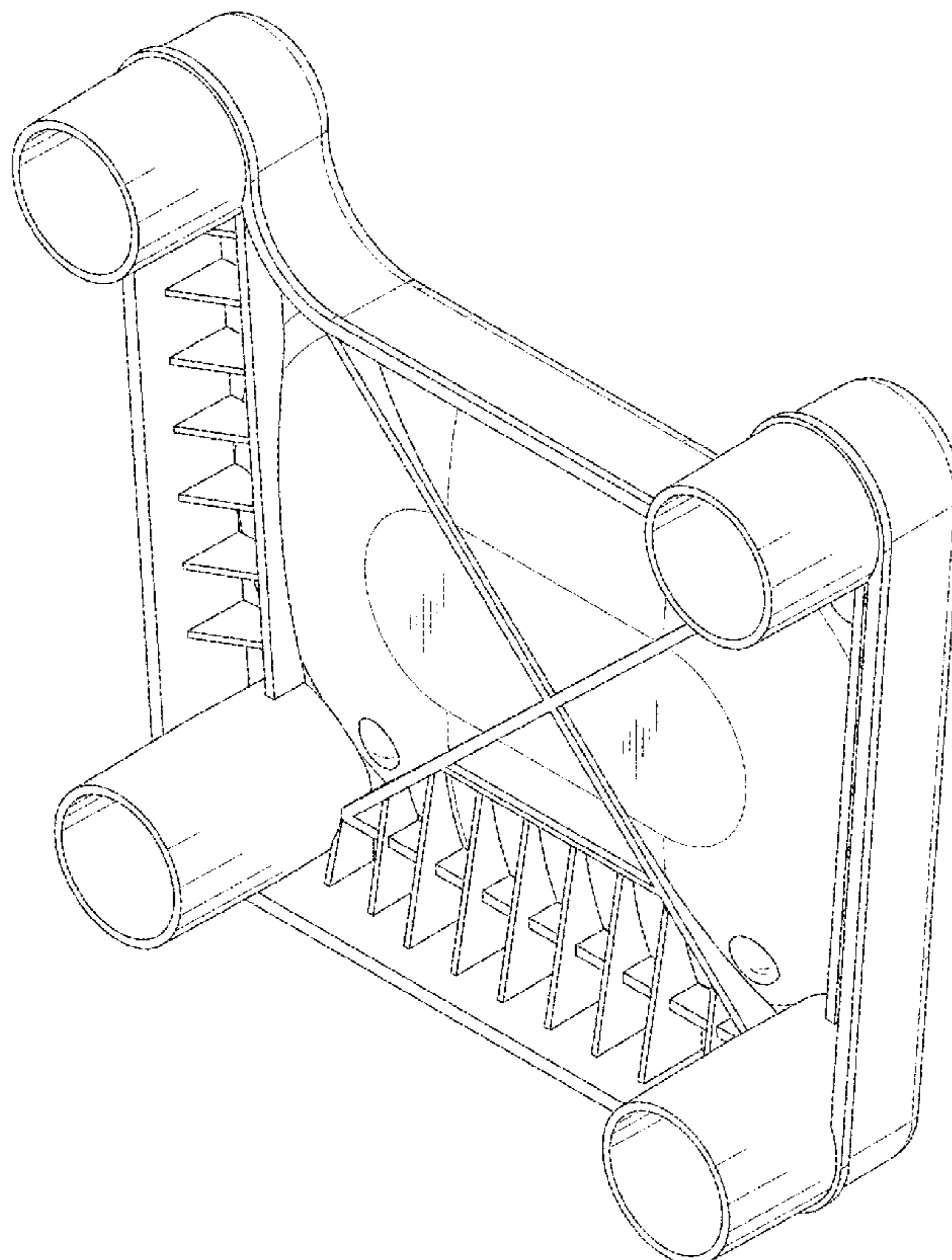
* cited by examiner

Primary Examiner — Vy N Koenig
(74) *Attorney, Agent, or Firm* — Alan D. Kamrath; Mayer & Williams PC

(57) **CLAIM**
The ornamental design for a chair, as shown and described.

DESCRIPTION
FIG. 1 is a perspective view of a chair showing my design;
FIG. 2 is a front elevational view thereof;
FIG. 3 is a rear elevational view thereof;
FIG. 4 is a left side elevational view thereof;
FIG. 5 is a right side elevational view thereof;
FIG. 6 is a top plan view thereof; and,
FIG. 7 is a bottom plan view thereof.

1 Claim, 7 Drawing Sheets



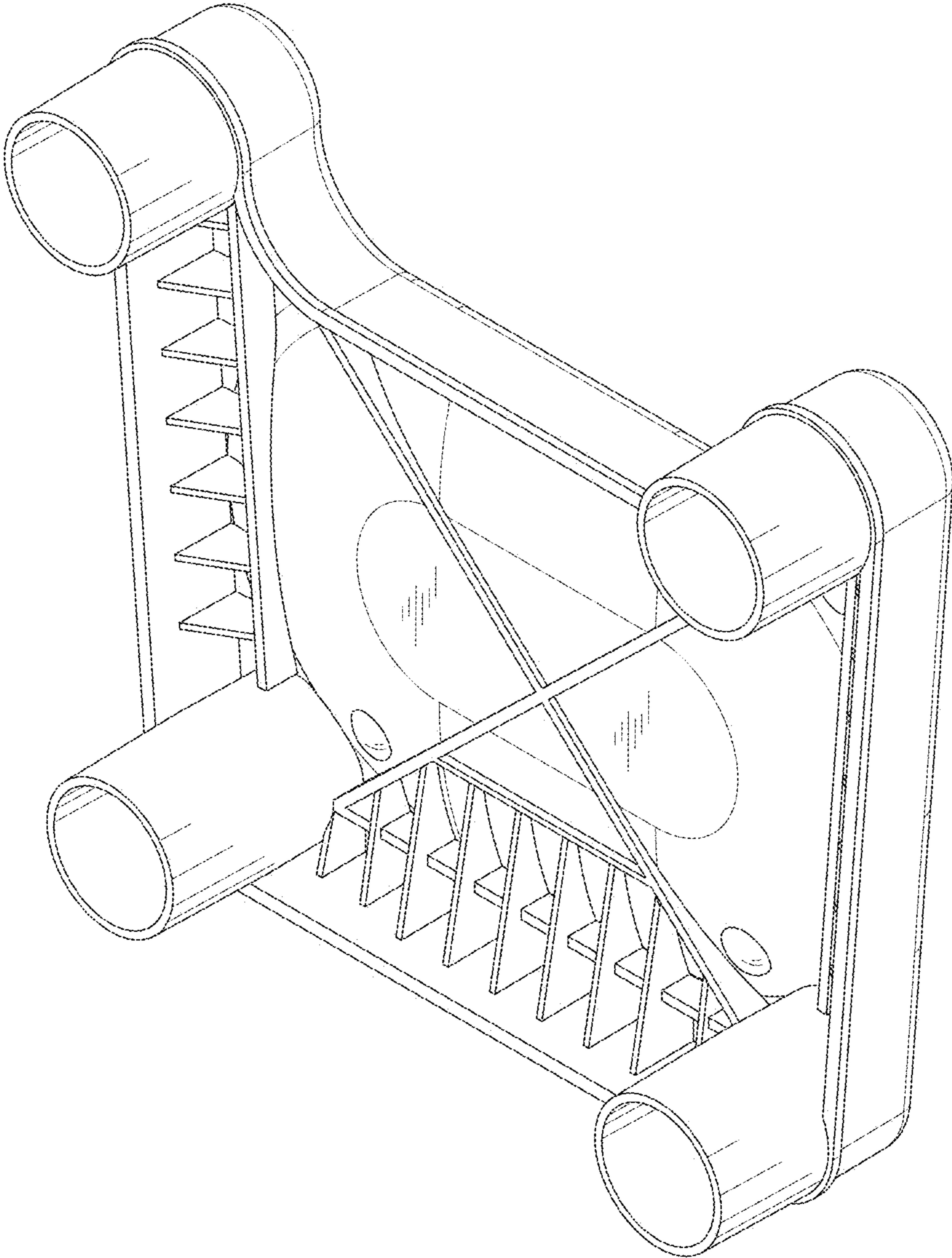


FIG. 1

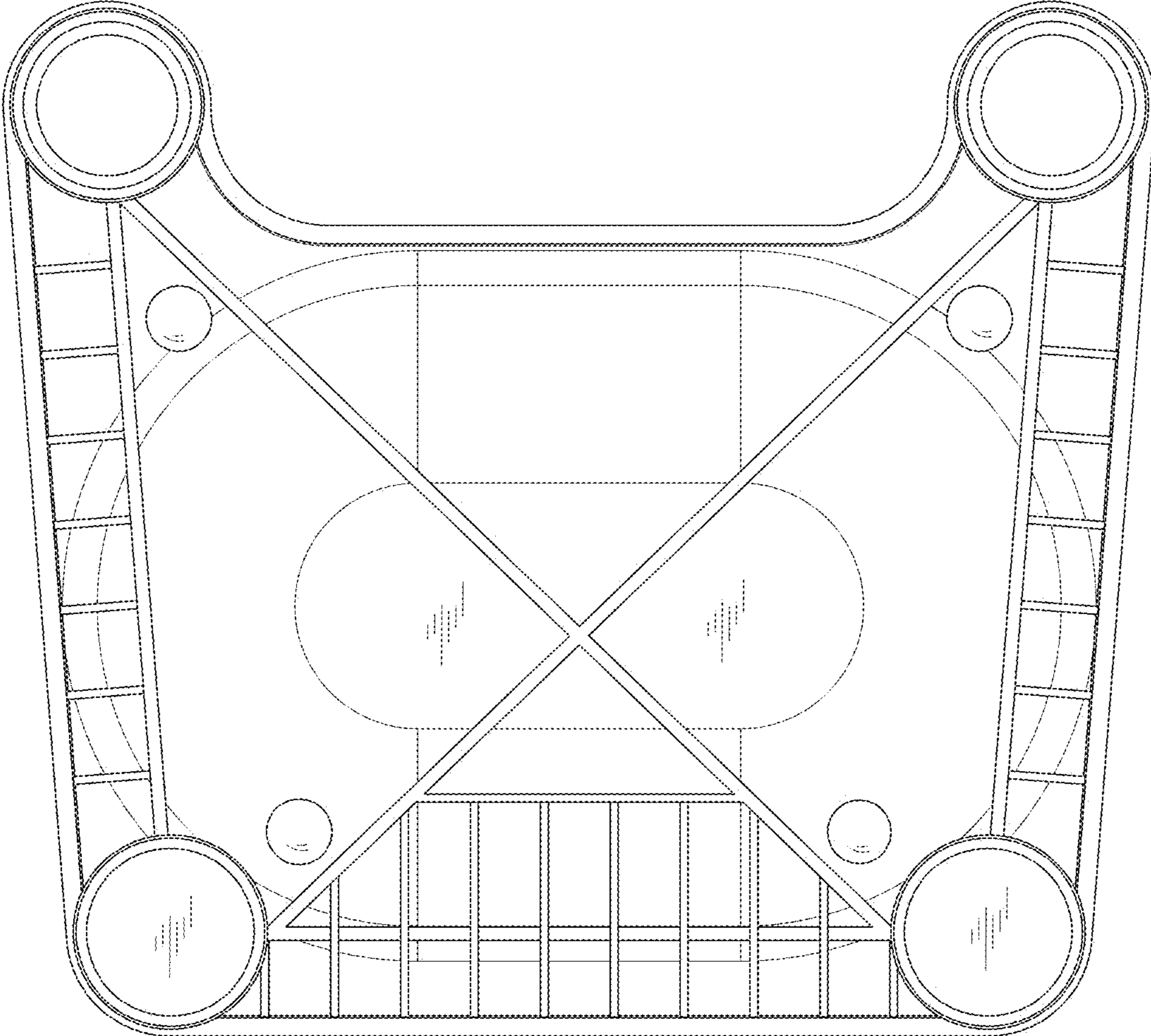


FIG. 2

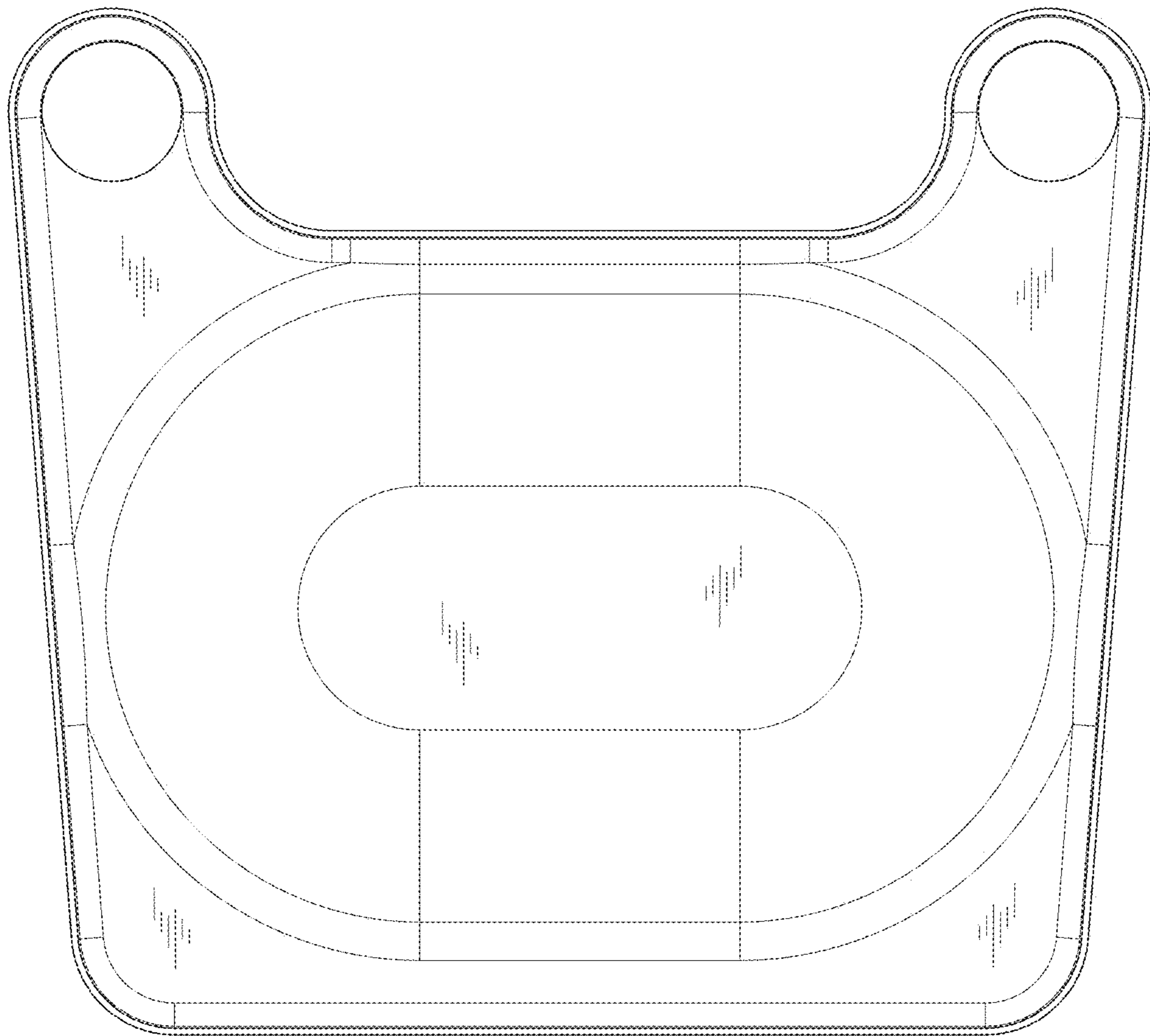


FIG. 3

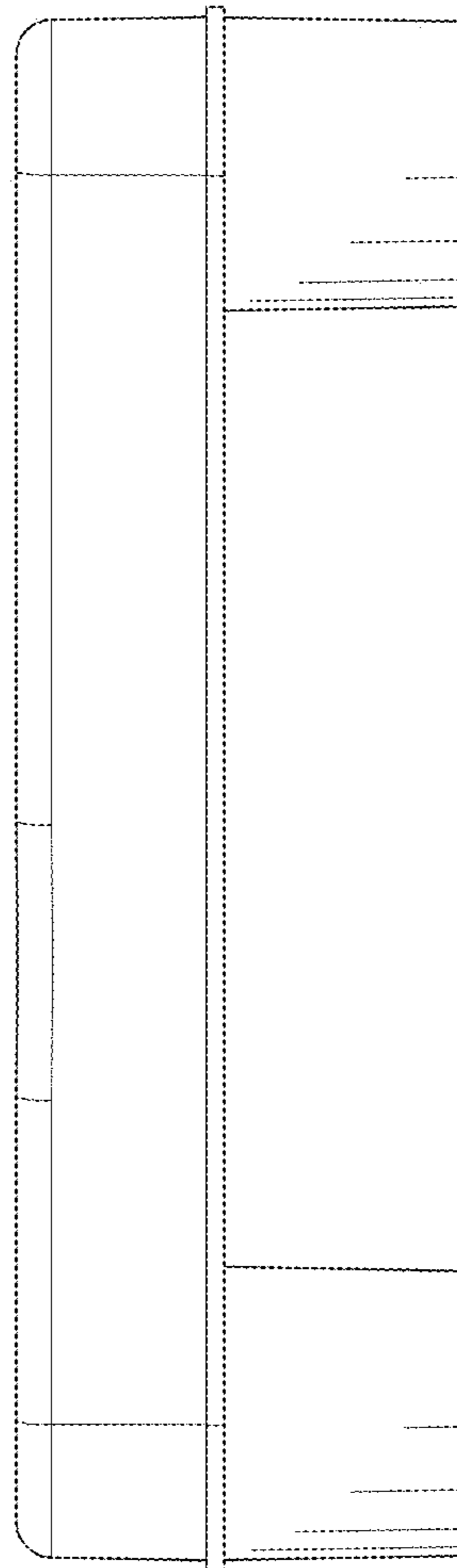


FIG. 4

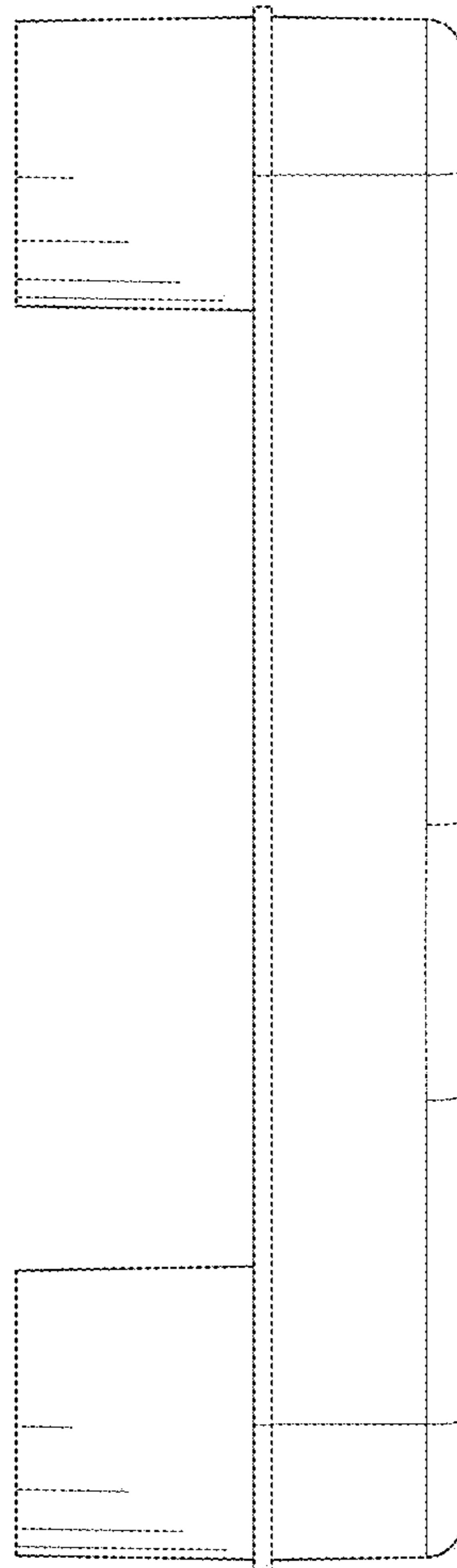


FIG. 5

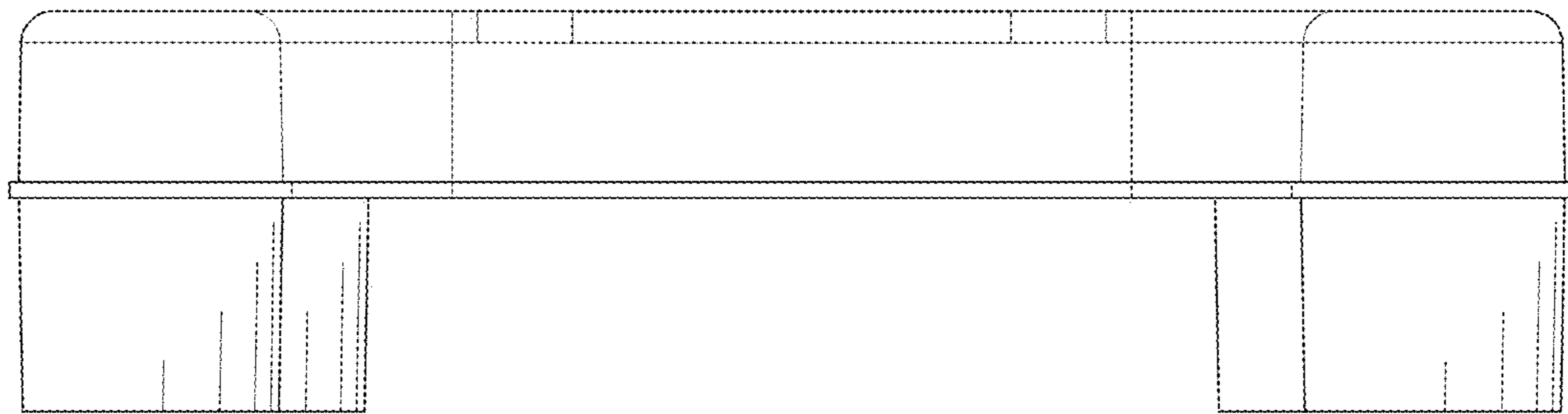


FIG. 6

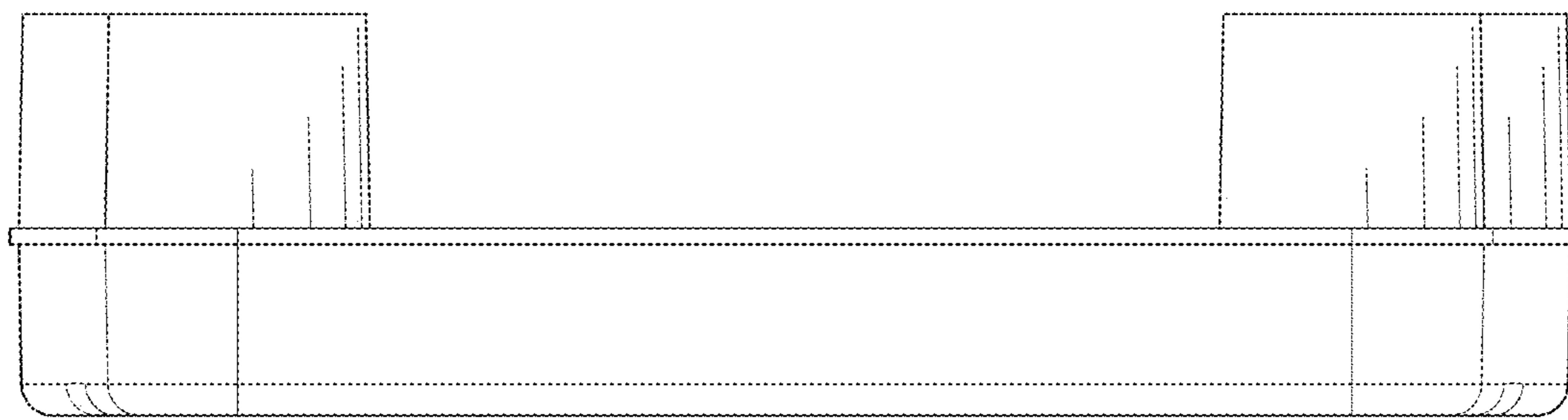


FIG. 7