

US00D869867S

(12) **United States Design Patent** (10) **Patent No.:** **US D869,867 S**
Davis et al. (45) **Date of Patent:** **** Dec. 17, 2019**

(54) **BENCH**
(71) Applicant: **WALKER EDISON FURNITURE COMPANY, LLC**, Salt Lake City, UT (US)
(72) Inventors: **Matthew Davis**, Murray, UT (US); **Brad Bonham**, Draper, UT (US); **Richard Packer**, Kaysville, UT (US)
(73) Assignee: **WALKER EDISON FURNITURE COMPANY LLC**, Salt Lake City, UT (US)

D304,979 S 12/1989 Bush
D313,518 S 1/1991 Bush
D343,072 S 1/1994 Schulman
D346,078 S 4/1994 Schulman
D391,421 S * 3/1998 Steelman D6/675.1
D481,229 S * 10/2003 Weaver D6/349
D486,016 S 2/2004 Stanton

(Continued)

FOREIGN PATENT DOCUMENTS

CA 165552 6/2016
CA 171260 7/2017

(Continued)

(**) Term: **15 Years**
(21) Appl. No.: **29/634,929**
(22) Filed: **Jan. 25, 2018**
(51) **LOC (12) Cl.** **06-01**
(52) **U.S. Cl.**
USPC **D6/349**; D6/336; D6/691
(58) **Field of Classification Search**
USPC D6/334-338, 340-343, 349-353, 355,
D6/364-365, 691-691.9, 692-692.6,
D6/716-716.1, 717; D25/65
CPC A47B 7/00-02; A47C 11/00; A47C 12/00;
A47C 13/00; A47C 16/00; A47C
16/02-04; A47C 9/00-105; A47K 17/02;
A47K 17/028
See application file for complete search history.

OTHER PUBLICATIONS

48 in. White Oak Open-Top Storage Bench with Shoe Shelf.
[online] Retrieved Oct. 15, 2019 from URL: <https://www.homedepot.com/p/Walker-Edison-Furniture-Company-48-in-White-Oak-Open-Top-Storage-Bench-with-Shoe-Shelf-HD48PCSBWO/303295636>.*

(Continued)

Primary Examiner — Vy N Koenig
(74) *Attorney, Agent, or Firm* — Workman Nydegger

(57) **CLAIM**

The ornamental design for a bench, as shown and described.

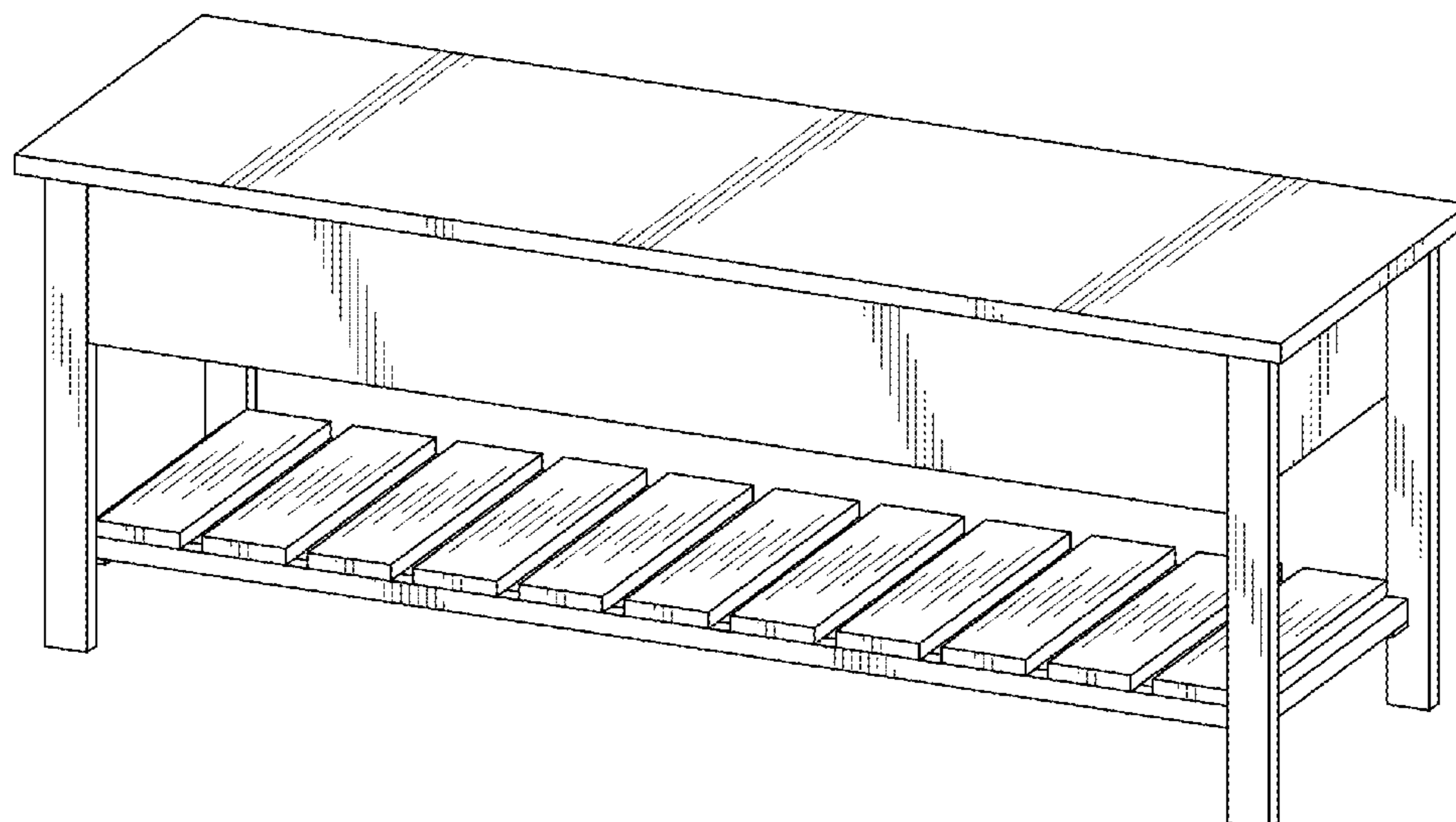
DESCRIPTION

FIG. 1 is a front perspective view of a bench showing the new design;
FIG. 2 is a front elevation view thereof;
FIG. 3 is a back elevation view thereof;
FIG. 4 is a top plan view thereof;
FIG. 5 is a bottom plan view thereof;
FIG. 6 is a right elevation view thereof; and,
FIG. 7 is a left elevation view thereof.
The broken lines in the drawings illustrate portions of the bench that form no part of the claimed design.

1 Claim, 4 Drawing Sheets

(56) **References Cited**
U.S. PATENT DOCUMENTS

D146,845 S 6/1947 Bach
D146,846 S 6/1947 Bach
D177,195 S 3/1956 Smith
D155,976 S 11/1967 Dimham
D209,404 S 11/1967 Pearlman
D242,969 S 1/1977 Carter
D278,294 S * 4/1985 Dau D6/691.9
D304,530 S 11/1989 Bush



(56)

References Cited

U.S. PATENT DOCUMENTS

D497,742	S	11/2004	Dortch	
D505,566	S	5/2005	Juneau	
D532,999	S *	12/2006	Domack	D6/691
D574,635	S	8/2008	Eustacc	
D584,073	S *	1/2009	Mohundro	D6/642
D669,704	S *	10/2012	Zambelli	D6/657
D736,529	S	8/2015	Cohen	
D746,614	S *	1/2016	Sheppard	D6/657
9,254,045	B2 *	2/2016	Nassif	A47C 17/14
D783,316	S	4/2017	Davis	
D829,025	S	9/2018	Davis	
D851,964	S	6/2019	Davis	
D853,160	S *	7/2019	Barber	D6/691.1
D854,864	S *	7/2019	Lim	D6/684
2010/0018442	A1 *	1/2010	Knudsen	A47B 3/08 108/176

FOREIGN PATENT DOCUMENTS

CA	179420	1/2018
CA	176181	7/2018
CA	182694	7/2018

OTHER PUBLICATIONS

50" Entryway Bench with Slatted Shelf—50×14×18h. [online] Retrieved Oct. 8, 2019 from URL: <https://www.overstock.com/Home-Garden/50-Entryway-Bench-with-Slatted-Shelf-50-x-14-x-18h/17179515/product.html?option=28693203>.*

Ermont Wood Storage Bench. [online] Retrieved Oct. 8, 2019 from URL: <https://www.allmodern.com/furniture/pdp/ermont-wood-storage-bench-lrfy1915.html>.*

52 in. A-Frame Rustic Faux Marble and Walnut Entry Console Table by Walker Edison Furniture Company—Home Depot <https://www.homedepot.com/p/Walker-Edison-Furniture-Company-52-in-A-Frame-Rustic-Faux-Marble-and-Walnut-Entry-Console-Table-HDF52AFTMNW/302034903> retrieved from the internet on Sep. 8, 2019.

52 in. A-Frame Rustic Entry Console Table Reclaimed Barnwood—Walmart.com <https://www.walmart.com/ip/52-A-Frame-Rustic-Entry-Console-Table-Reclaimed-Barnwood/561617562> retrieved from the internet on Sep. 9, 2019.

46" Rustic Farmhouse Wood Computer Desk by Walker Edison Furniture Company—Home Depot <https://www.homedepot.com/p/Walker-Edison-Furniture-Company-52-in-A-Frame-Rustic-Faux-Marble-and-Walnut-Entry-Console-Table-HDF52AFTMNW/302034903> retrieved from the internet on Sep. 9, 2019.

U.S. Appl. No. 29/656,477, Sep. 13, 2019.

U.S. Appl. No. 29/634,920, Sep. 13, 2019.

U.S. Appl. No. 29/634,920, filed Jan. 25, 2018, Davis.

U.S. Appl. No. 29/573,766, filed Aug. 9, 2016, Davis.

U.S. Appl. No. 29/656,477, filed Jul. 12, 2018, Davis.

Small Wooden Desk With Drawers—suspilstvo.info <http://suspilstvo.info/small-wooden-desk-with-drawers/small-wooden-desk-with-drawers-wood-desk-with-drawers-modern-solid-wood-desk-computer-study-show-homes-minimalist-with-drawers-m-wood-desk-with-drawers-small-wood-comput> retrieved from the internet on Nov. 5, 2018.

Legend Desk—Harvey Norman <https://www.harveynorman.co.nz/furniture/home-office-equip/desks-and-suites/legend-desk.html> retrieved from the internet on Nov. 5, 2018.

Diana Desk with Drawer—walmart.com <https://www.walmart.com/ip/Diana-Desk-with-Drawer/126384407?sourceid=csebr035413> retrieved from the internet on Nov. 5, 2018.

* cited by examiner

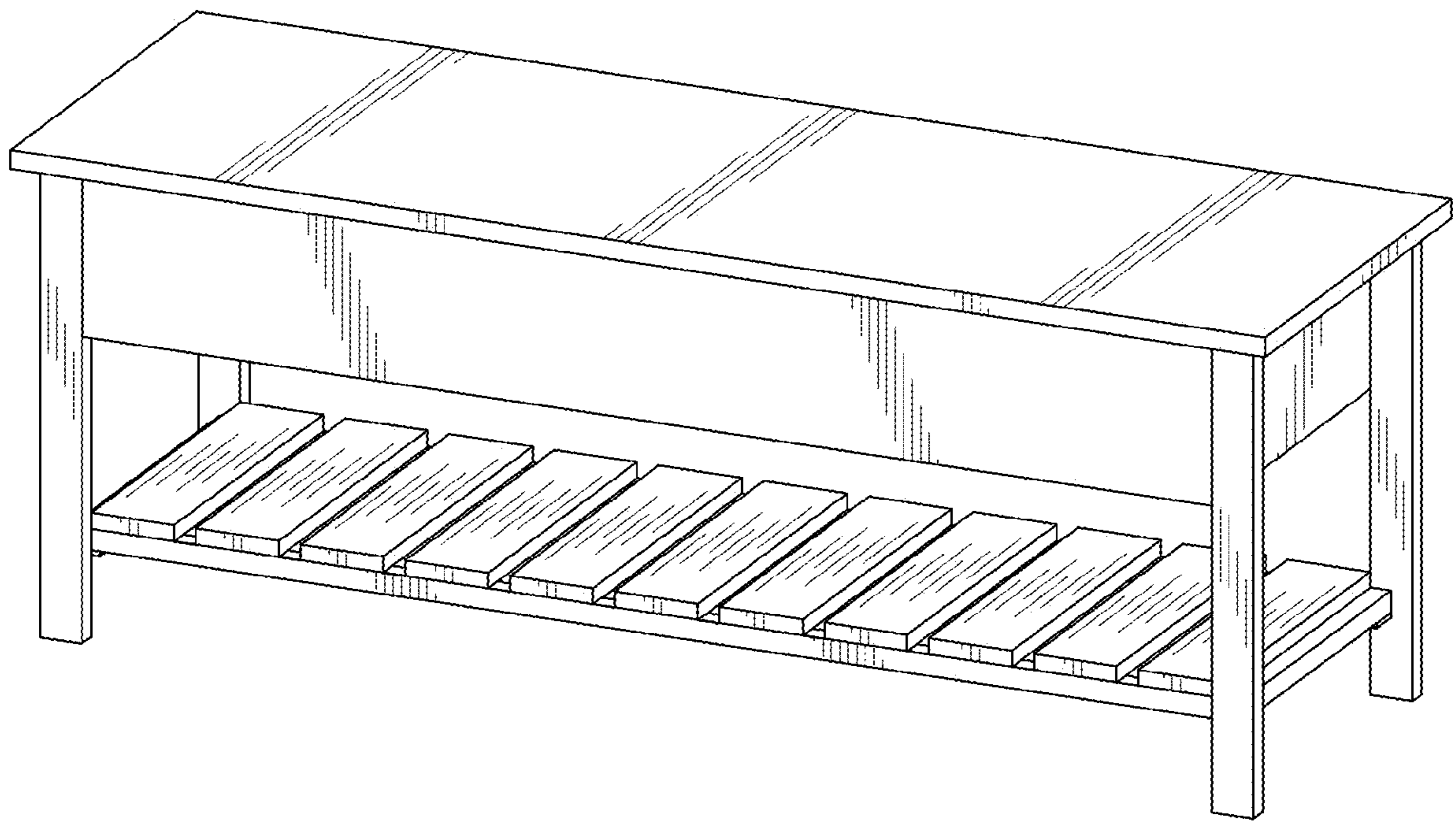


FIG. 1

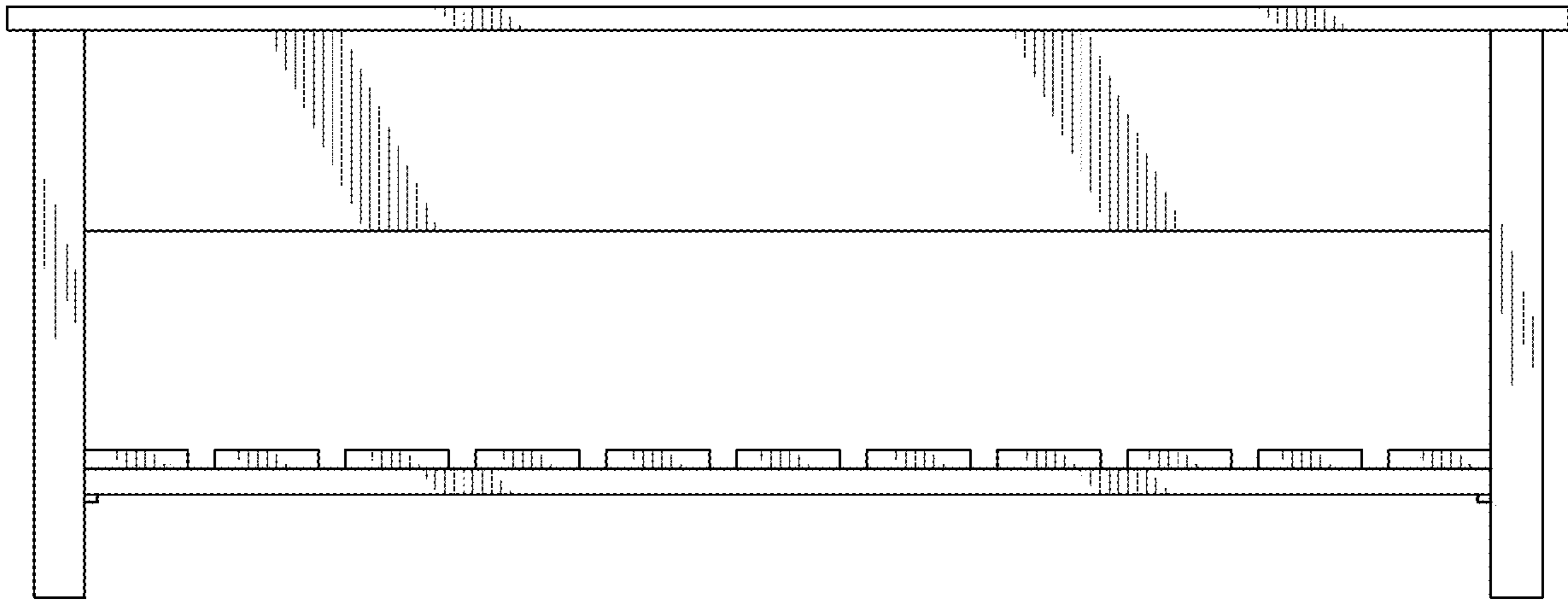


FIG. 2

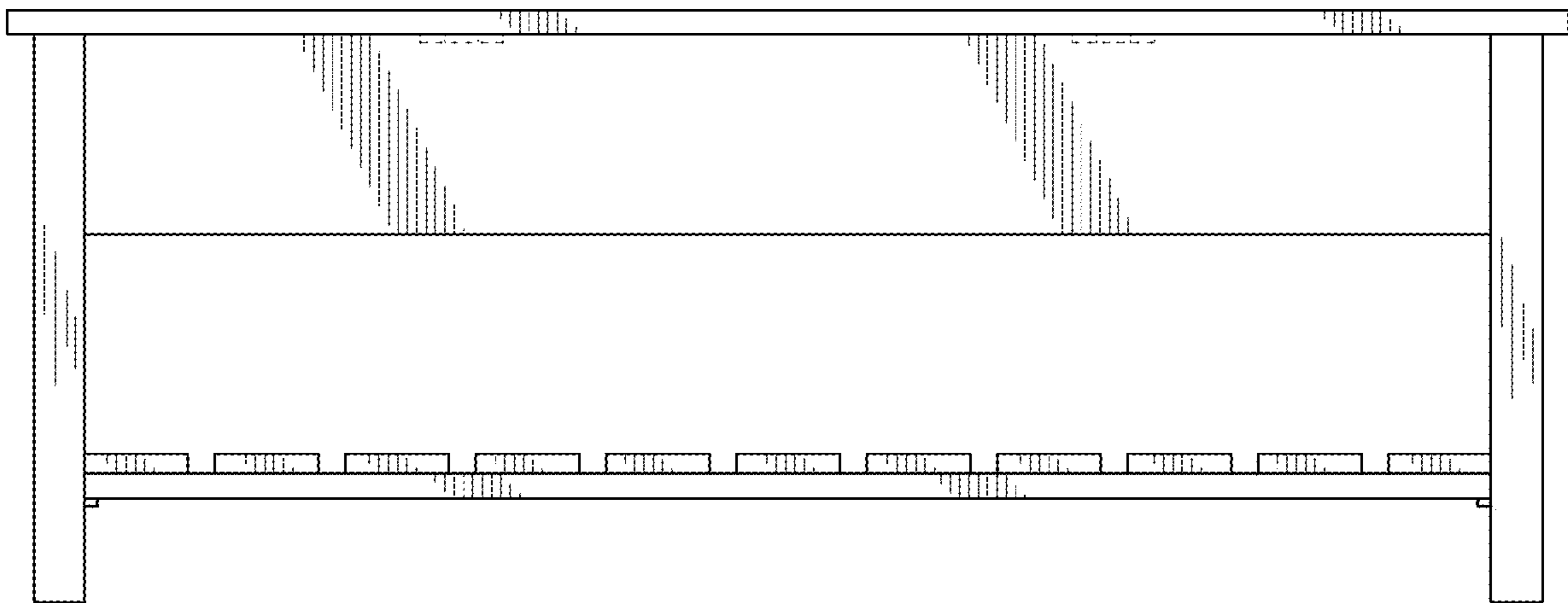


FIG. 3

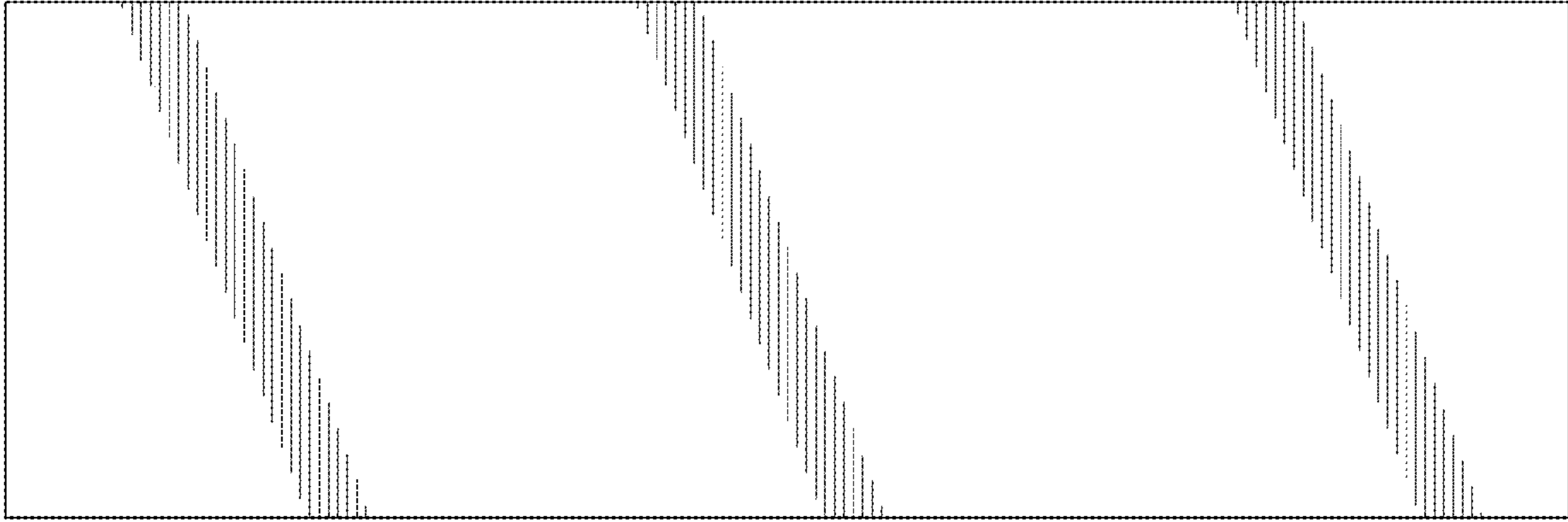


FIG. 4

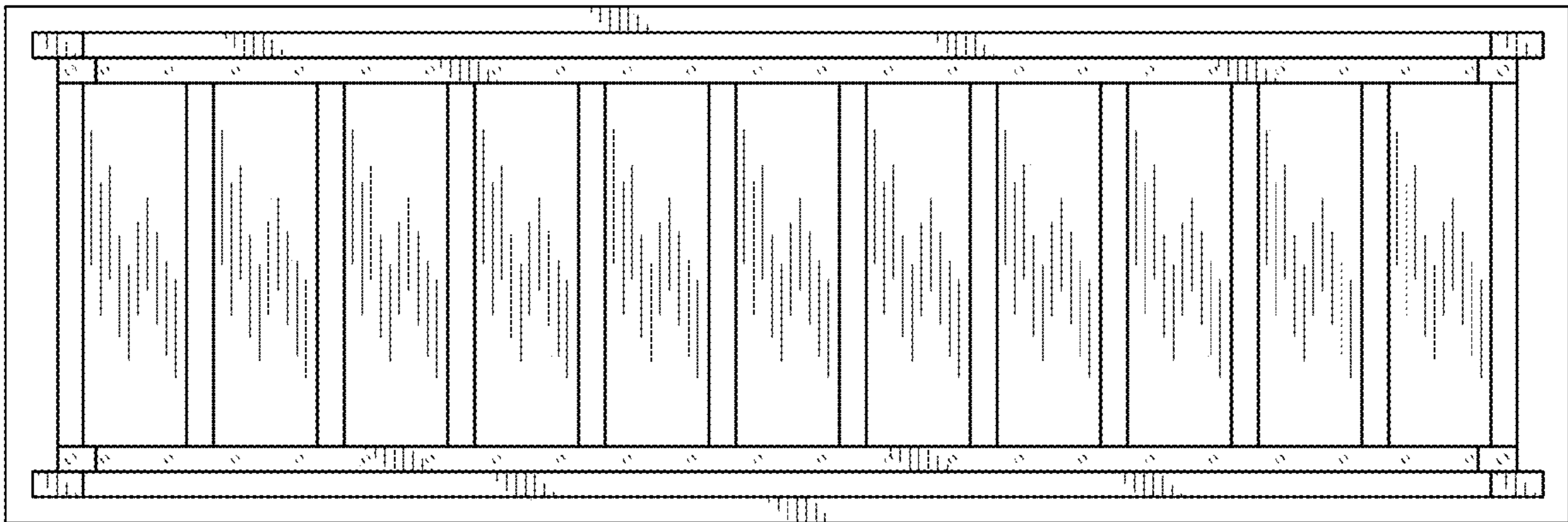


FIG. 5

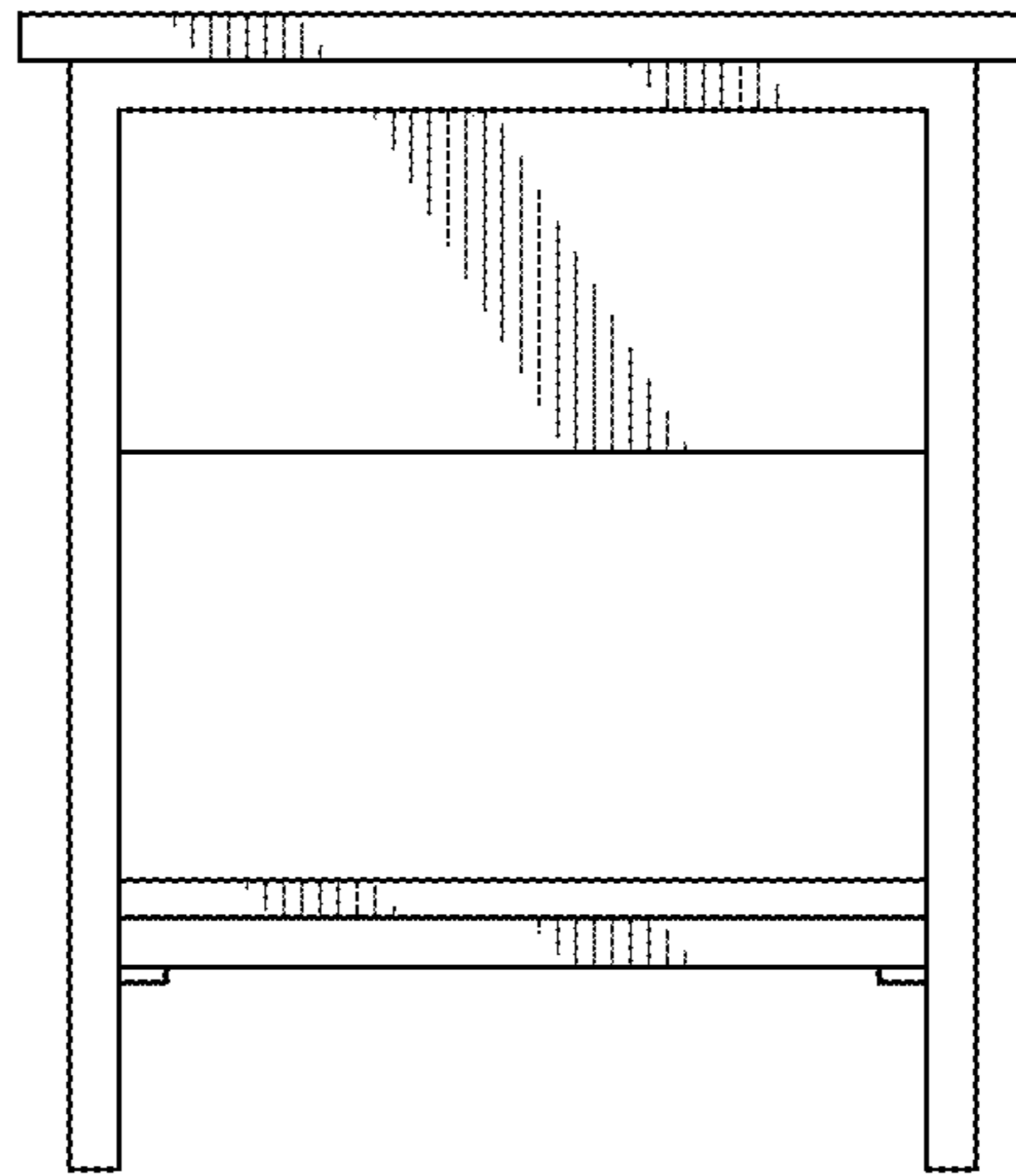


FIG. 6

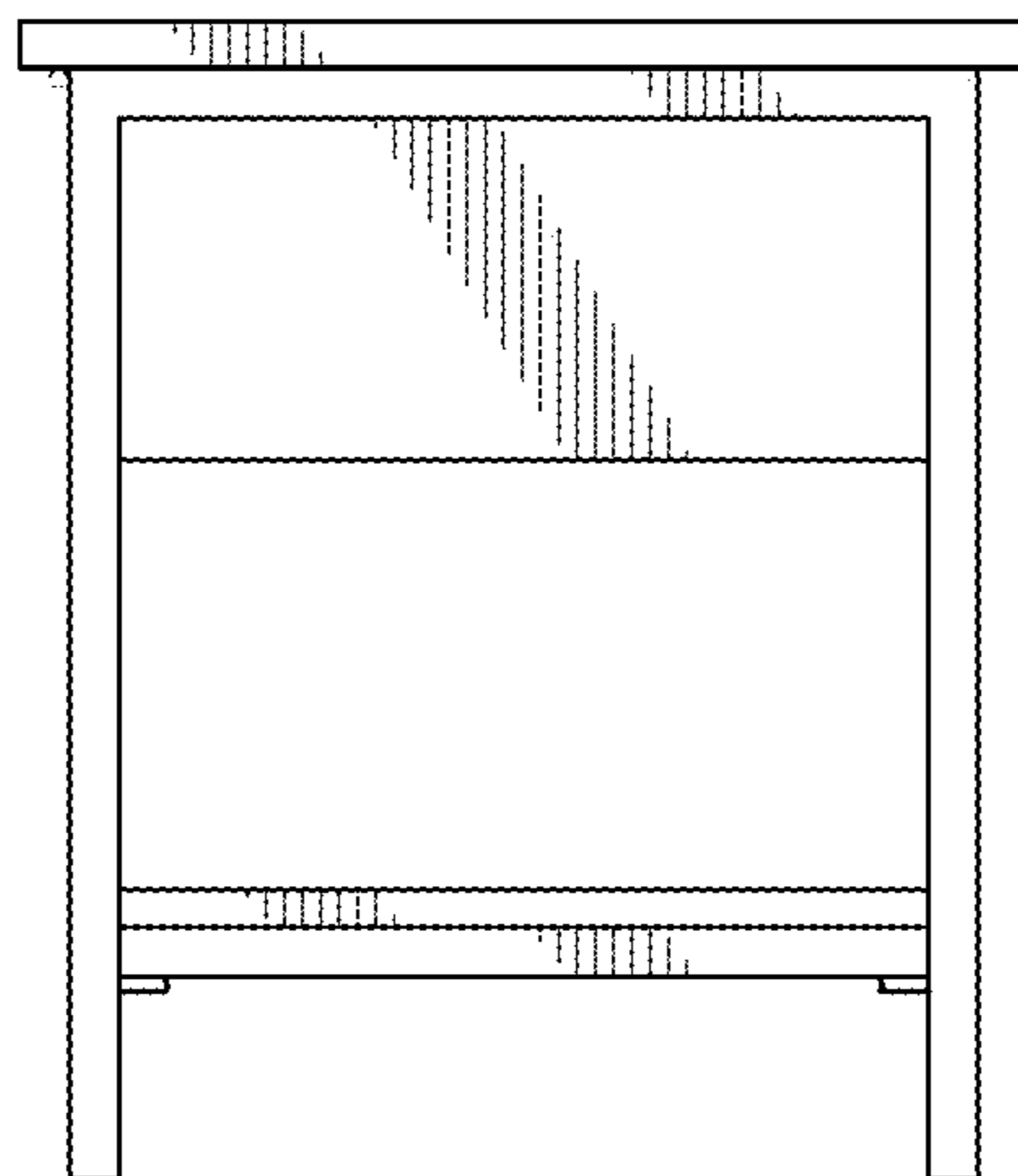


FIG. 7