

US00D869859S

(12) **United States Design Patent** (10) **Patent No.:** **US D869,859 S**
Treeby et al. (45) **Date of Patent:** **** Dec. 17, 2019**

- (54) **HAIR BRUSH** D333,730 S 3/1993 Martin
- (71) Applicant: **TANGLE TEEZER LIMITED,** D427,776 S 7/2000 Chan
London (GB) 6,202,241 B1 3/2001 Hassell
- (72) Inventors: **Cameron Bruce William Treeby,** D439,747 S 4/2001 Harris
London (GB); **Julian Leslie Meagher,** D445,571 S 7/2001 Harada
London (GB) D482,534 S 11/2003 Olson
- (73) Assignee: **Tangle Teezer Limited,** London (GB) D490,564 S 5/2004 Colacioppo
D518,297 S 4/2006 Little
D536,823 S 2/2007 Colacioppo
D548,354 S 8/2007 Lai
D566,892 S 4/2008 Anderson

(Continued)

(**) Term: **15 Years**

OTHER PUBLICATIONS

(21) Appl. No.: **29/668,519**

Evaluation Report for corresponding Chinese Design Application completed on Dec. 8, 2017. (23 pages).

(22) Filed: **Oct. 31, 2018**

(Continued)

Related U.S. Application Data

(63) Continuation of application No. 35/502,947, filed on Nov. 7, 2016 (U.S. filing date under 35 U.S.C. 384), and having an international filing date of Nov. 7, 2016, now abandoned.

Primary Examiner — Rhea Shields

(74) *Attorney, Agent, or Firm* — Tarolli, Sundheim, Covell & Tummino LLP; John A. Yirga, Esq.

(30) **Foreign Application Priority Data**

May 5, 2016 (EM) 003112630

(51) **LOC (12) Cl.** **04-99**

(52) **U.S. Cl.**
USPC **D4/134**

(58) **Field of Classification Search**
USPC D4/134, 136, 100, 138; D30/159;
D28/35, 68, 63
CPC A45D 19/02; A45D 24/22; A45D 40/262;
A46B 9/06; A46B 9/023; A41D 13/087
See application file for complete search history.

(57) **CLAIM**

The ornamental design for a hair brush, as shown and described.

DESCRIPTION

FIG. 1 is a top plan view of a hair brush in accordance with our ornamental design;
FIG. 2 is a bottom plan view thereof;
FIG. 3 is a front elevation view thereof;
FIG. 4 is a left side elevation view thereof;
FIG. 5 is a front perspective view thereof;
FIG. 6 is a rear elevation view thereof;
FIG. 7 is a rear perspective view thereof; and,
FIG. 8 is a right side elevation view thereof.

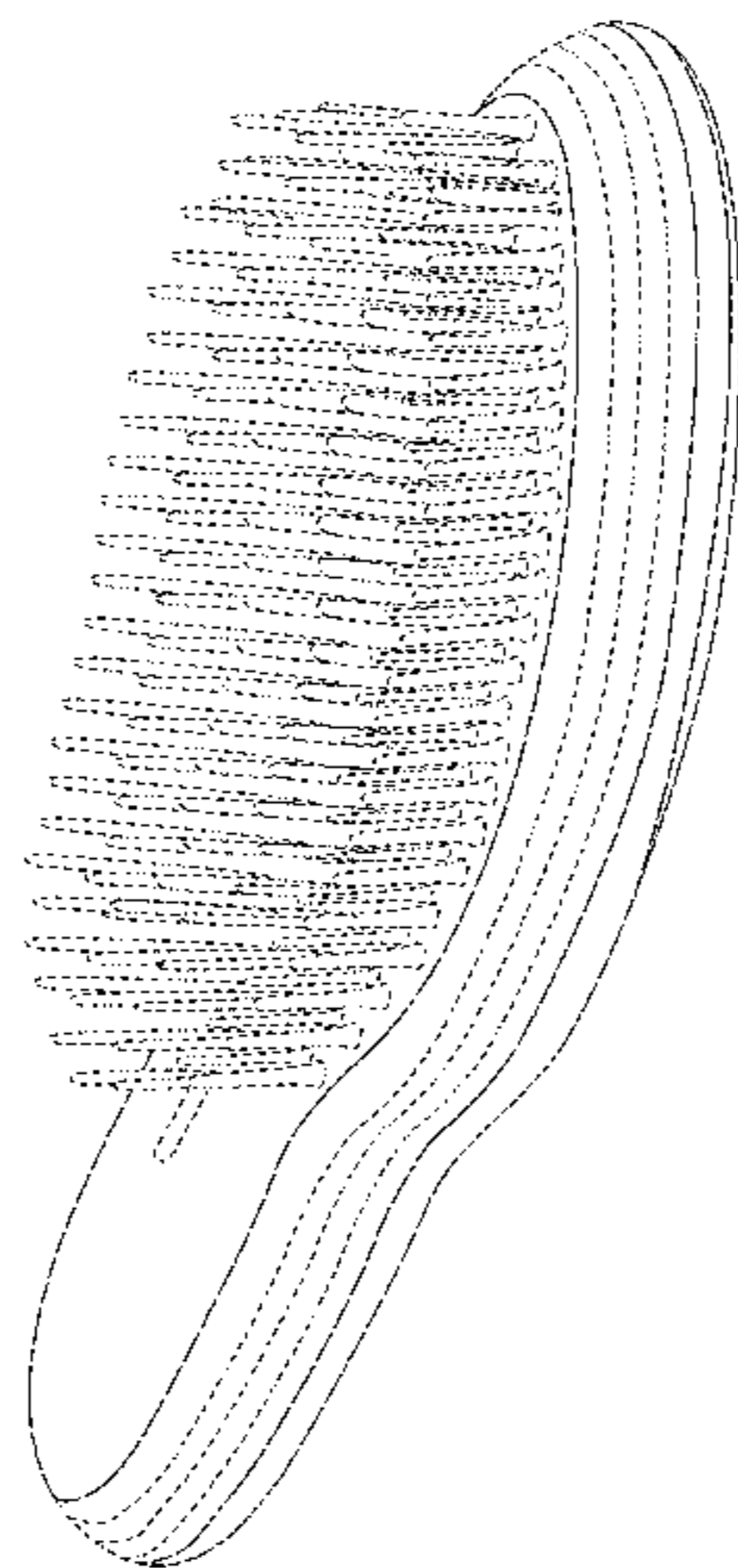
Those portions of the Figures shown in broken lines are included for environmental purposes only and form no part of the claimed design.

(56) **References Cited**

U.S. PATENT DOCUMENTS

- D285,130 S 8/1986 Wilkeson
- D321,434 S 11/1991 Strickler
- D326,362 S 5/1992 Bertwell

1 Claim, 8 Drawing Sheets



(56)

References Cited

U.S. PATENT DOCUMENTS

D578,772 S 10/2008 Provost
 D584,863 S 1/2009 Garry
 D614,818 S 4/2010 Moore
 D615,304 S 5/2010 Cole
 7,743,690 B2 6/2010 White
 D620,714 S 8/2010 Bona-Kustra
 D632,486 S 2/2011 Watanabe
 D634,548 S 3/2011 Bickford
 D638,606 S 5/2011 Freijem
 D640,874 S 7/2011 Huang
 D654,698 S 2/2012 Ross
 D656,732 S 4/2012 Vu
 D656,739 S 4/2012 Edmondson
 8,181,304 B1 5/2012 Kamathm
 D683,139 S 5/2013 Chikos
 D684,375 S 6/2013 Bona-Kustra
 D684,746 S 6/2013 Pang
 D688,875 S 9/2013 Tschol
 8,533,894 B2 9/2013 Watanabe
 D693,581 S 11/2013 Ballmaier
 D696,020 S 12/2013 Hegemann
 8,595,885 B1 12/2013 Weinstein
 D699,903 S 2/2014 Singer
 D708,857 S 7/2014 Brown
 D750,896 S 3/2016 Park
 D756,121 S 5/2016 Gruber
 9,326,591 B2 5/2016 Nicoline
 D763,579 S 8/2016 Thomas
 D764,180 S 8/2016 Treeby
 D766,589 S 9/2016 Cheung
 D770,778 S 11/2016 Rosenzweig
 D770,779 S 11/2016 Rosenzweig
 D774,313 S 12/2016 Treeby

D775,836 S 1/2017 Sedic
 D782,829 S 4/2017 Park
 D783,293 S 4/2017 Rosenzweig
 D784,705 S 4/2017 York
 D792,712 S 7/2017 Ramos
 D795,595 S 8/2017 Exley
 D796,210 S 9/2017 Hu
 D798,605 S 10/2017 Funches
 D803,577 S 11/2017 Morton
 D805,306 S 12/2017 Massee
 D808,658 S 1/2018 Sophiem
 D809,803 S 2/2018 Mao
 D812,745 S 3/2018 Pascullo
 D817,007 S * 5/2018 Guy-Rabi A46B 9/06
 D820,600 S * 6/2018 Suh D4/136
 D821,649 S * 6/2018 Qin D28/35
 D823,006 S * 7/2018 Kim D4/136
 D825,929 S * 8/2018 Julemont D4/100
 D828,040 S * 9/2018 Rosenzweig D4/138
 D831,357 S * 10/2018 Lin D4/100
 D834,332 S * 11/2018 Chen D4/134
 D839,606 S * 2/2019 Kuo D4/134
 D840,608 S * 2/2019 Snead, Sr. D30/159
 D842,539 S * 3/2019 Guy-Rabi D28/35
 D845,644 S * 4/2019 Kuo D4/134
 2018/0228277 A1 * 8/2018 Pulfrey A46B 9/023

OTHER PUBLICATIONS

English translation of Box E of Evaluation Report detailing the relevance of the cited designs in corresponding Chinese Design Application. (2 pages).

* cited by examiner

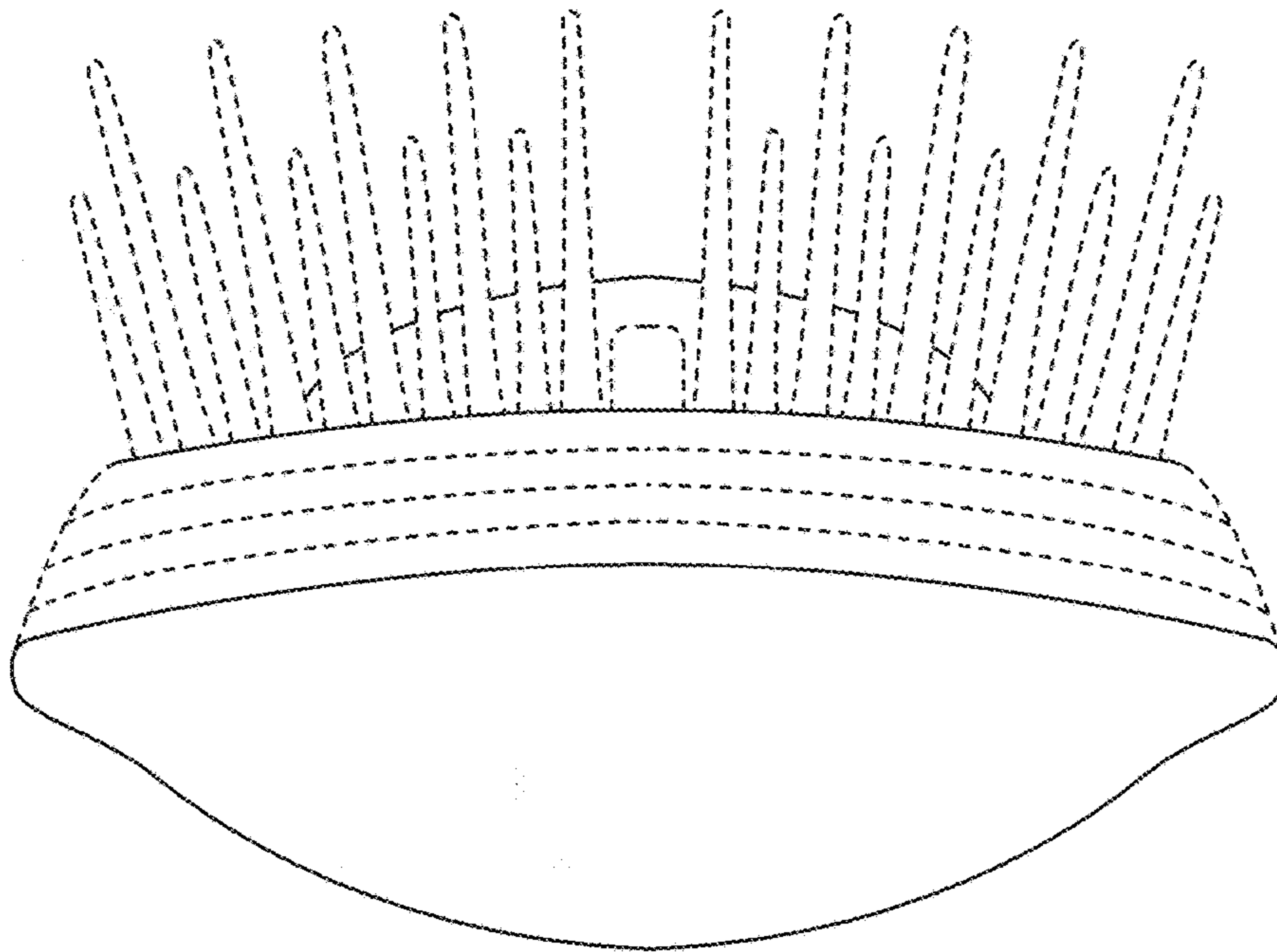


FIG. 1

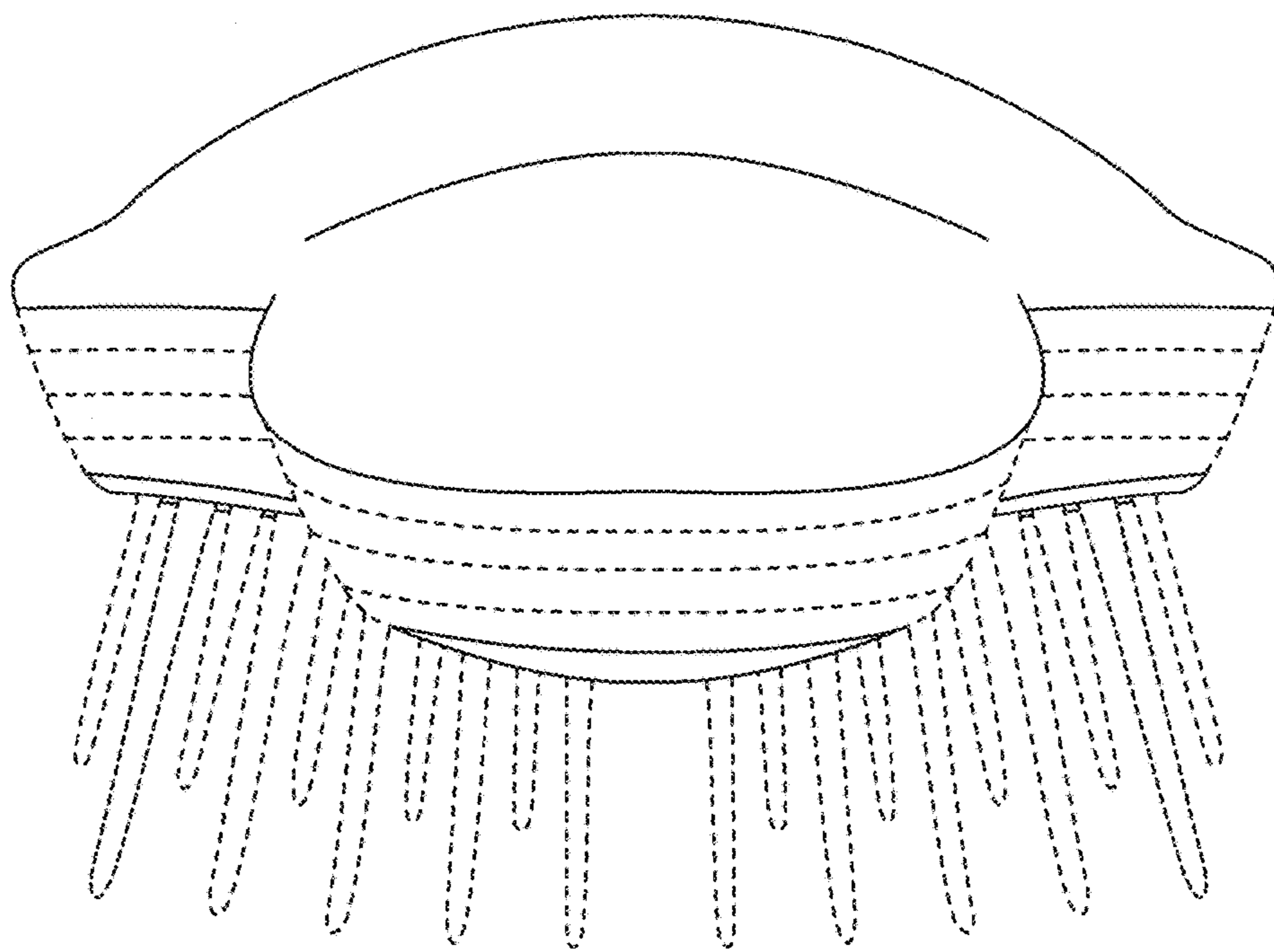


FIG. 2

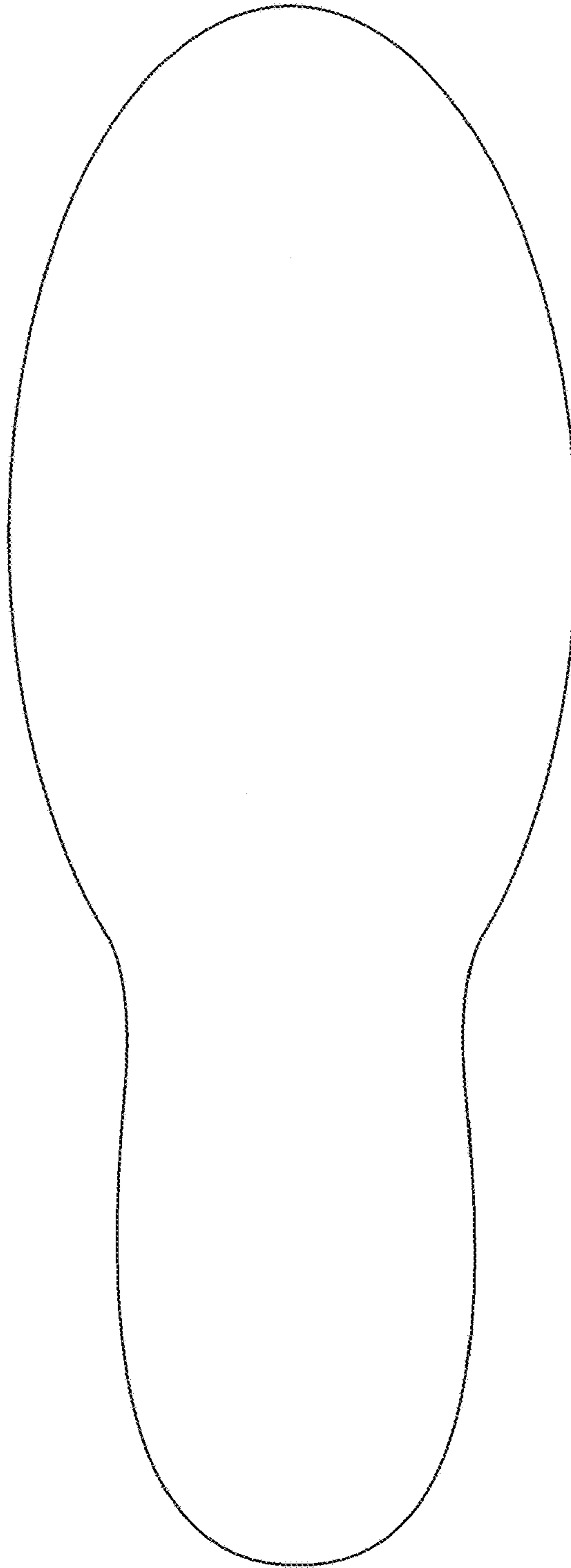


FIG. 3

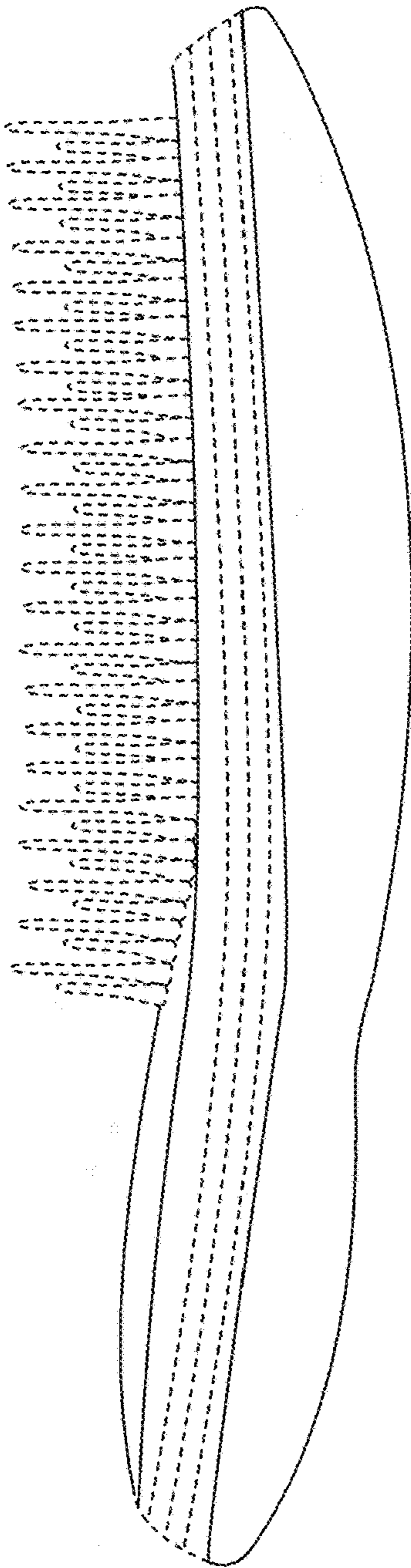


FIG. 4

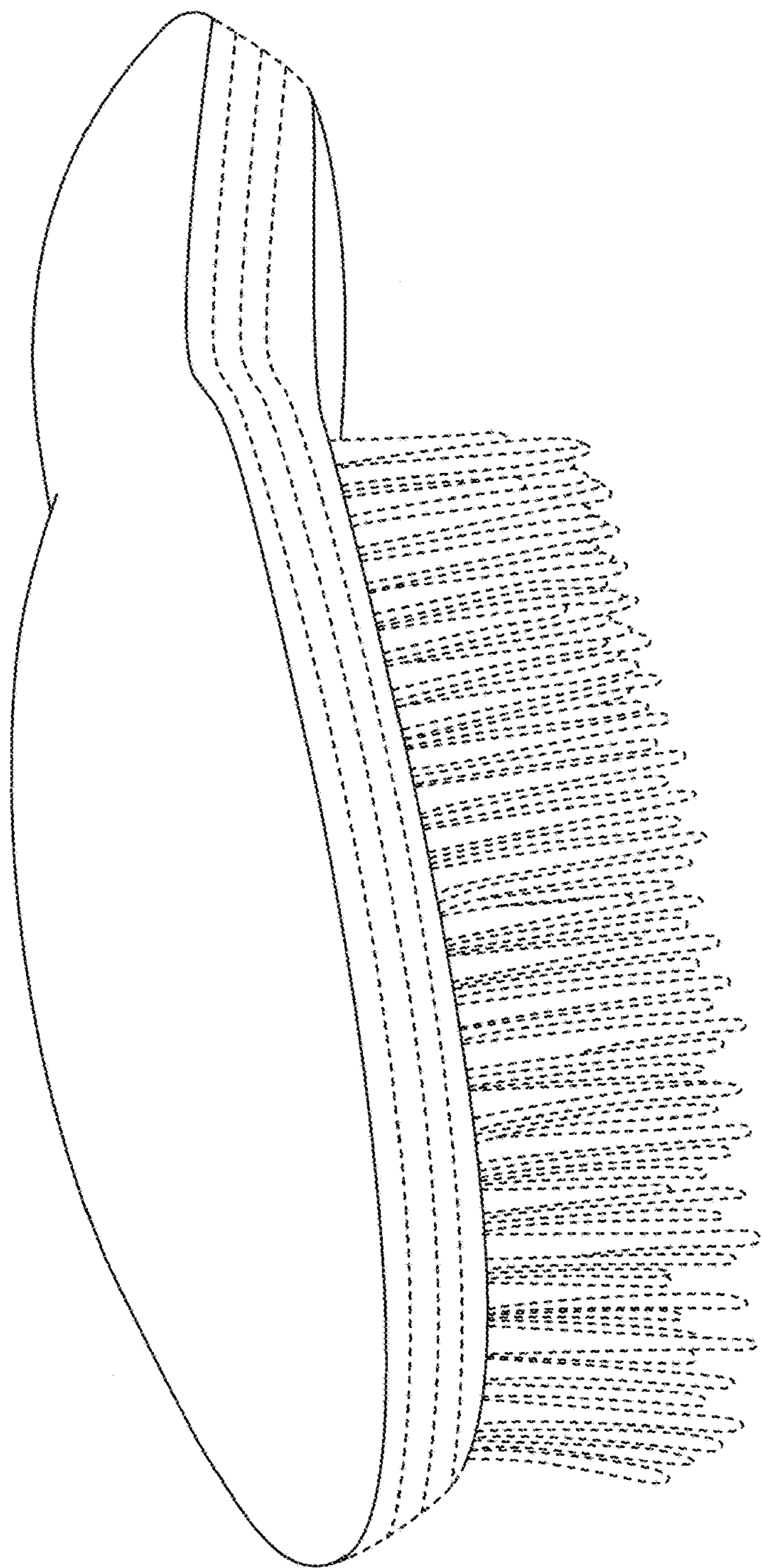


FIG. 5

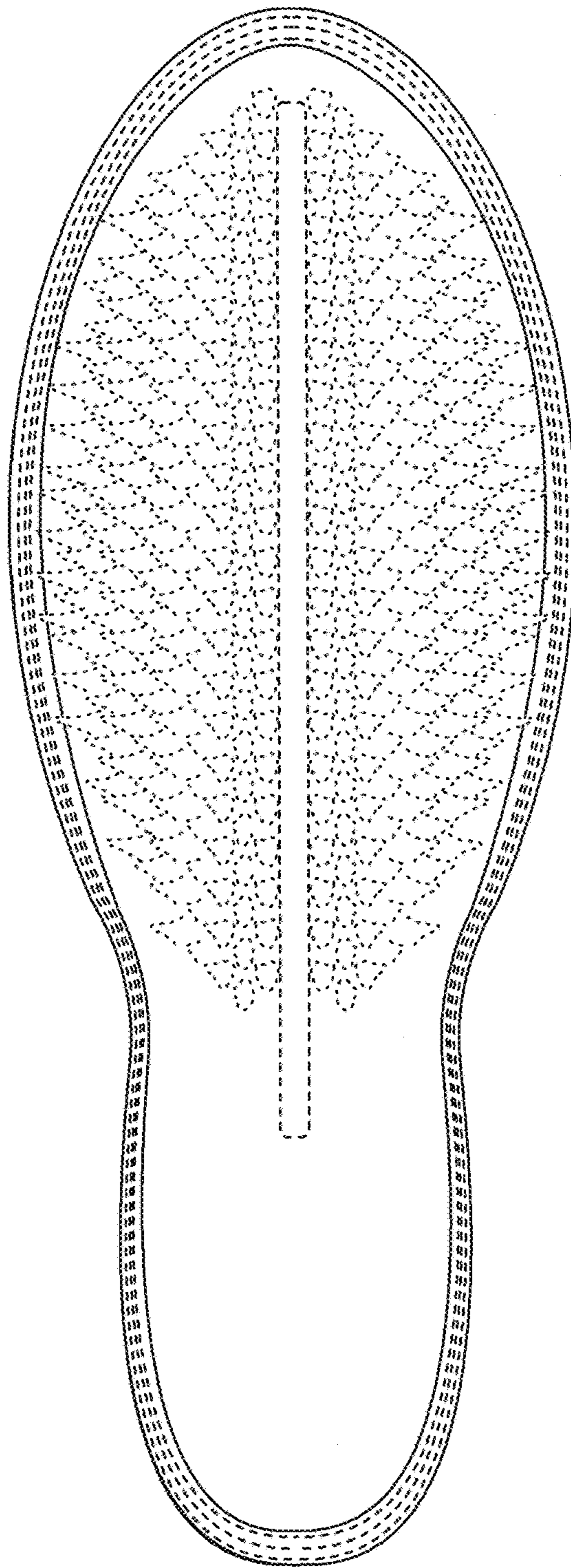


FIG. 6

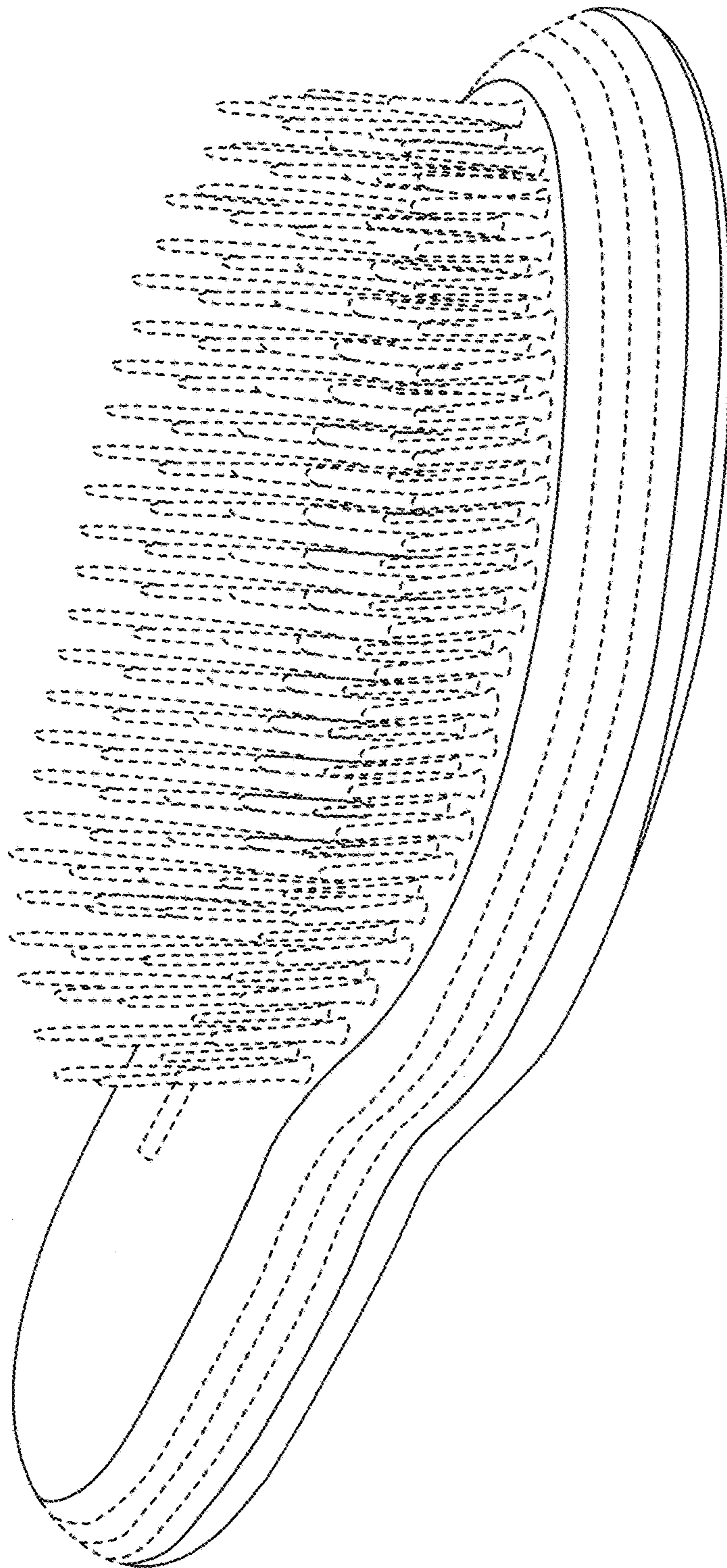


FIG. 7

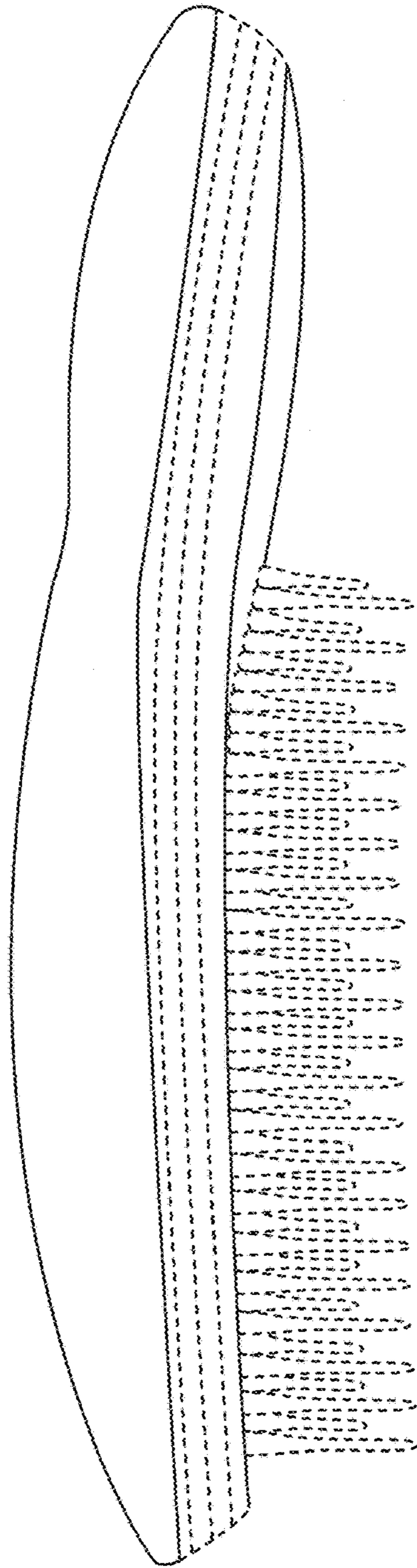


FIG. 8