

US00D869857S

(12) **United States Design Patent**  
**Cordero et al.**

(10) **Patent No.:** **US D869,857 S**

(45) **Date of Patent:** **\*\* Dec. 17, 2019**

(54) **LIP MAKEUP BRUSH**  
(71) Applicants: **Crystal N Cordero**, Lakeland, FL  
(US); **Mario A Garcia**, Lakeland, FL  
(US)  
(72) Inventors: **Crystal N Cordero**, Lakeland, FL  
(US); **Mario A Garcia**, Lakeland, FL  
(US)  
(\*\*) Term: **15 Years**

2,819,482 A \* 1/1958 Applegate ..... A46B 5/0016  
15/110  
3,934,298 A \* 1/1976 Kim ..... A46B 5/0016  
15/167.1  
D287,073 S \* 12/1986 Thompson ..... D4/105  
D350,440 S \* 9/1994 Lemon ..... D4/105  
D739,147 S \* 9/2015 Hamilton ..... D4/134  
D823,003 S \* 7/2018 Lafortune ..... D4/117  
D835,419 S \* 12/2018 Lim ..... D4/135  
D844,332 S \* 4/2019 Park ..... D4/120  
D855,331 S \* 8/2019 Park ..... D4/117  
2018/0310700 A1\* 11/2018 Cordero ..... A46B 9/028

\* cited by examiner

(21) Appl. No.: **29/645,319**

*Primary Examiner* — Rhea Shields

(22) Filed: **Apr. 25, 2018**

(57) **CLAIM**

The ornamental design for a lip makeup brush, as shown and described.

**Related U.S. Application Data**

(63) Continuation-in-part of application No. 15/903,742,  
filed on Feb. 23, 2018.

**DESCRIPTION**

(51) **LOC (12) Cl.** ..... **04-99**  
(52) **U.S. Cl.**  
USPC ..... **D4/125**; D4/116  
(58) **Field of Classification Search**  
USPC ..... D4/116, 135, 117, 120, 105, 134  
CPC ..... A46B 9/028; A46B 5/0016; A46B 9/04  
See application file for complete search history.

FIG. 1 is a top perspective view of a lip makeup brush;  
FIG. 2 is a bottom perspective view thereof;  
FIG. 3 is a front elevational view thereof;  
FIG. 4 is a rear elevational view thereof;  
FIG. 5 is a right side elevational view thereof;  
FIG. 6 is a left side elevational view thereof;  
FIG. 7 is a top plan view thereof;  
FIG. 8 is a bottom plan view thereof; and,  
FIG. 9 is a detailed view thereof taken about the circle 9-9  
seen in FIG. 1.

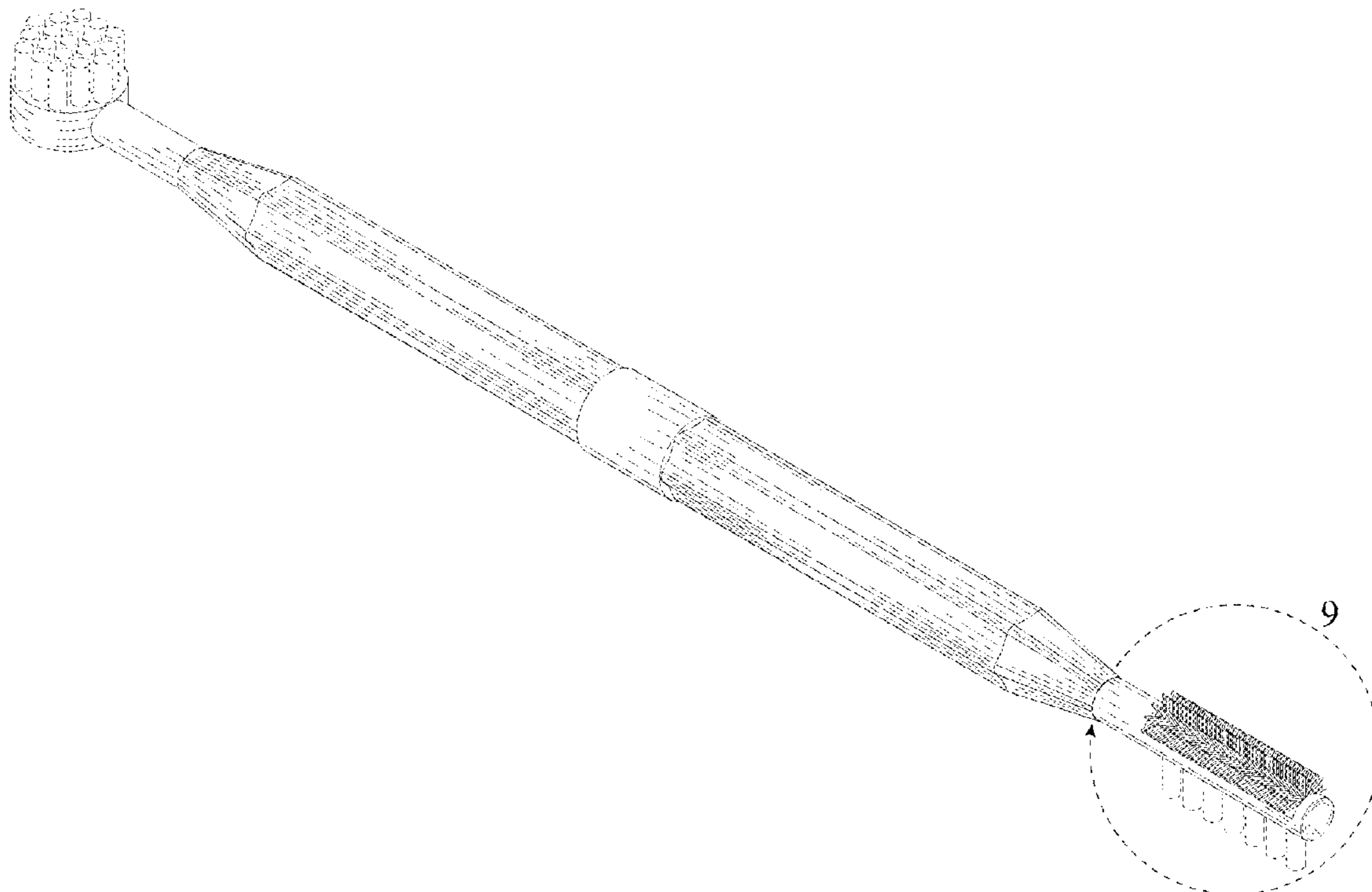
The broken line showing bristles is included for the purpose of illustrating environmental structure and forms no part of the claimed design.

(56) **References Cited**

**U.S. PATENT DOCUMENTS**

1,132,326 A \* 3/1915 Fouyer ..... 15/167.1  
D101,080 S \* 9/1936 Cosad ..... D4/105  
2,110,315 A \* 3/1938 Wolfson ..... A46B 9/04  
601/141

**1 Claim, 9 Drawing Sheets**



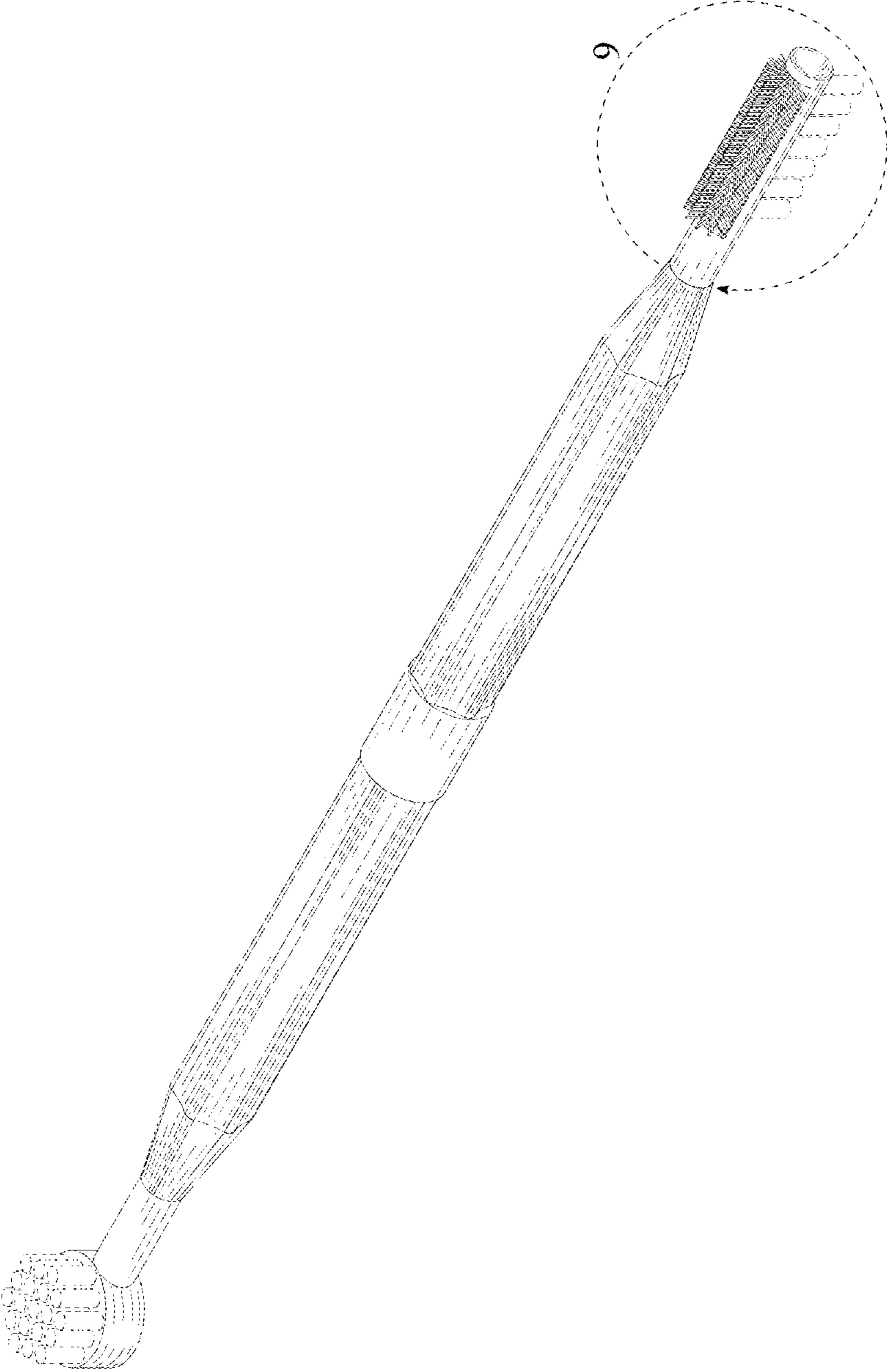


FIG. 1

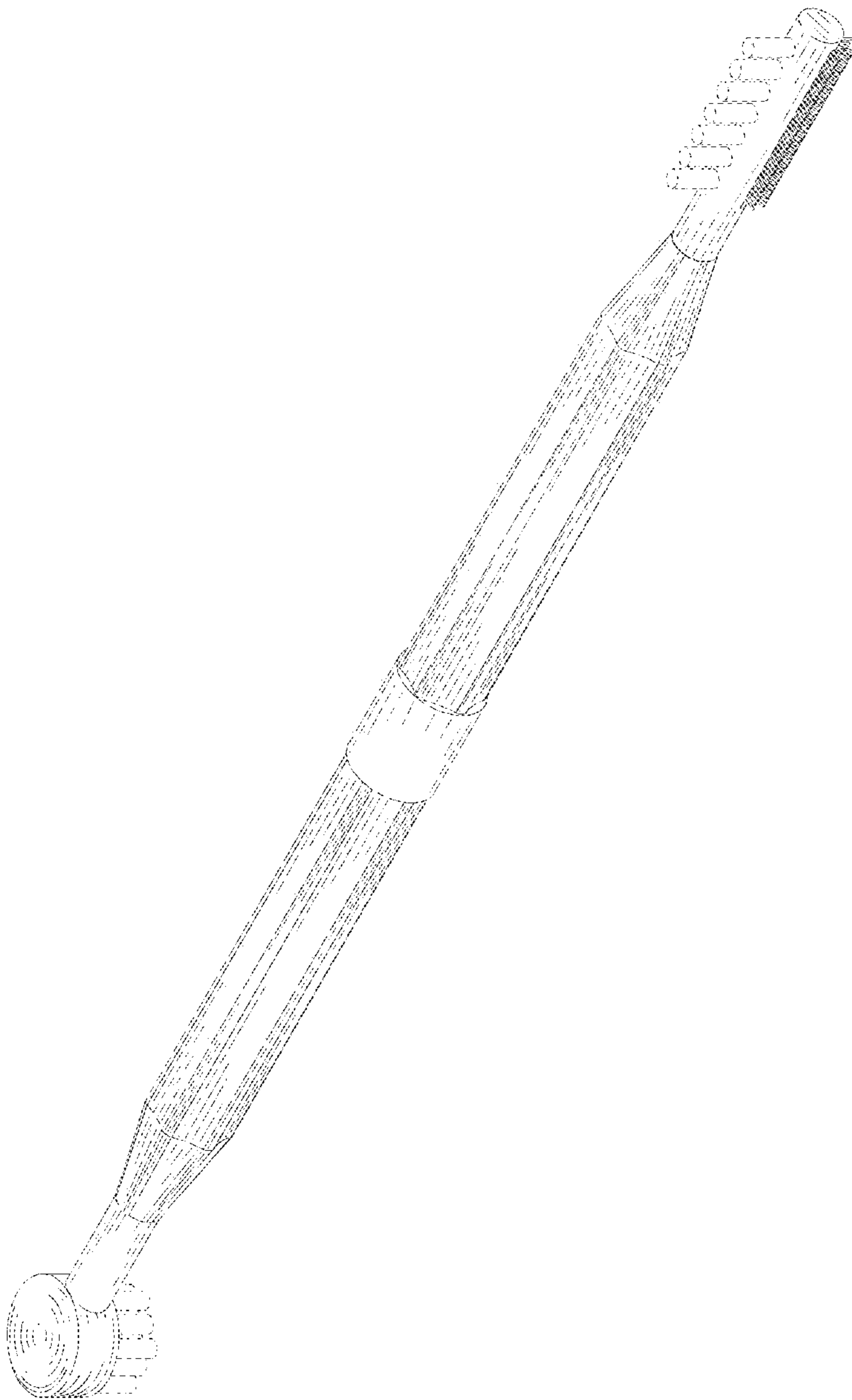


FIG. 2

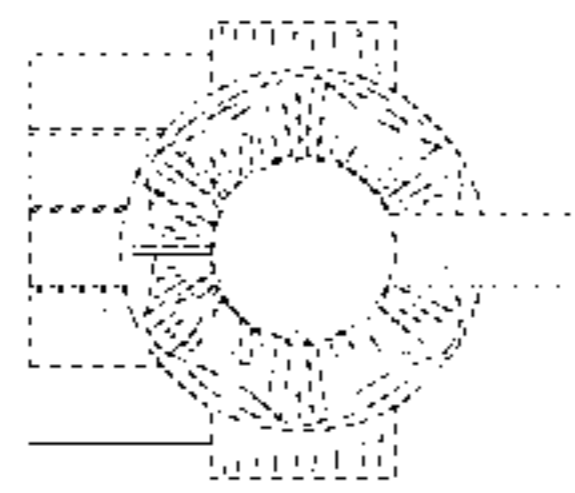


FIG. 3

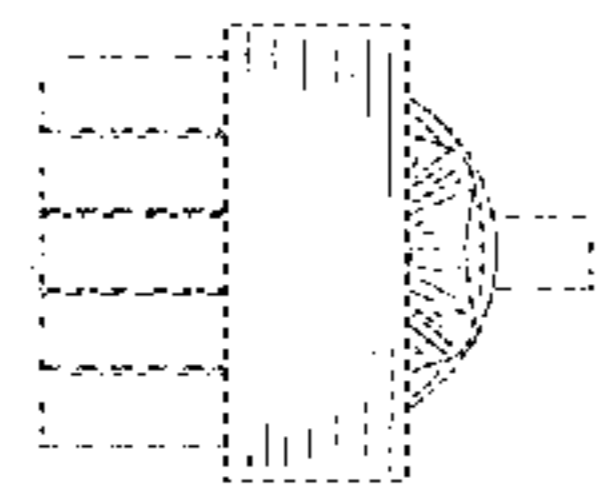


FIG. 4

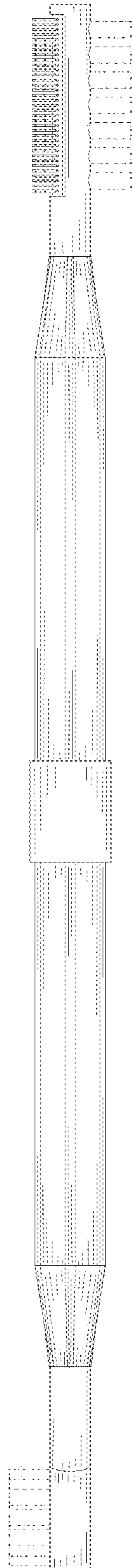


FIG. 5

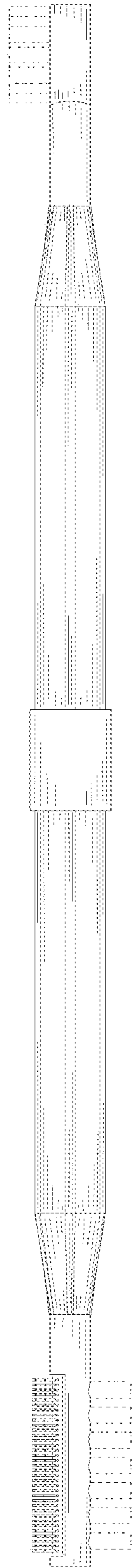


FIG. 6

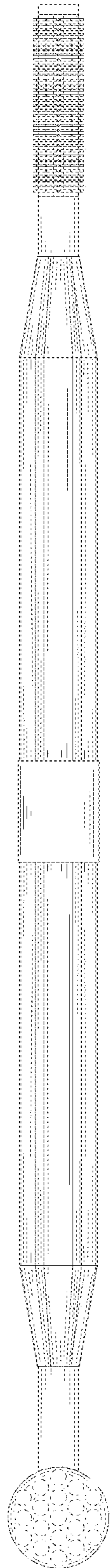


FIG. 7



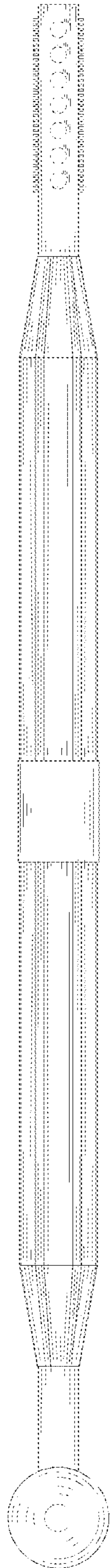


FIG. 8

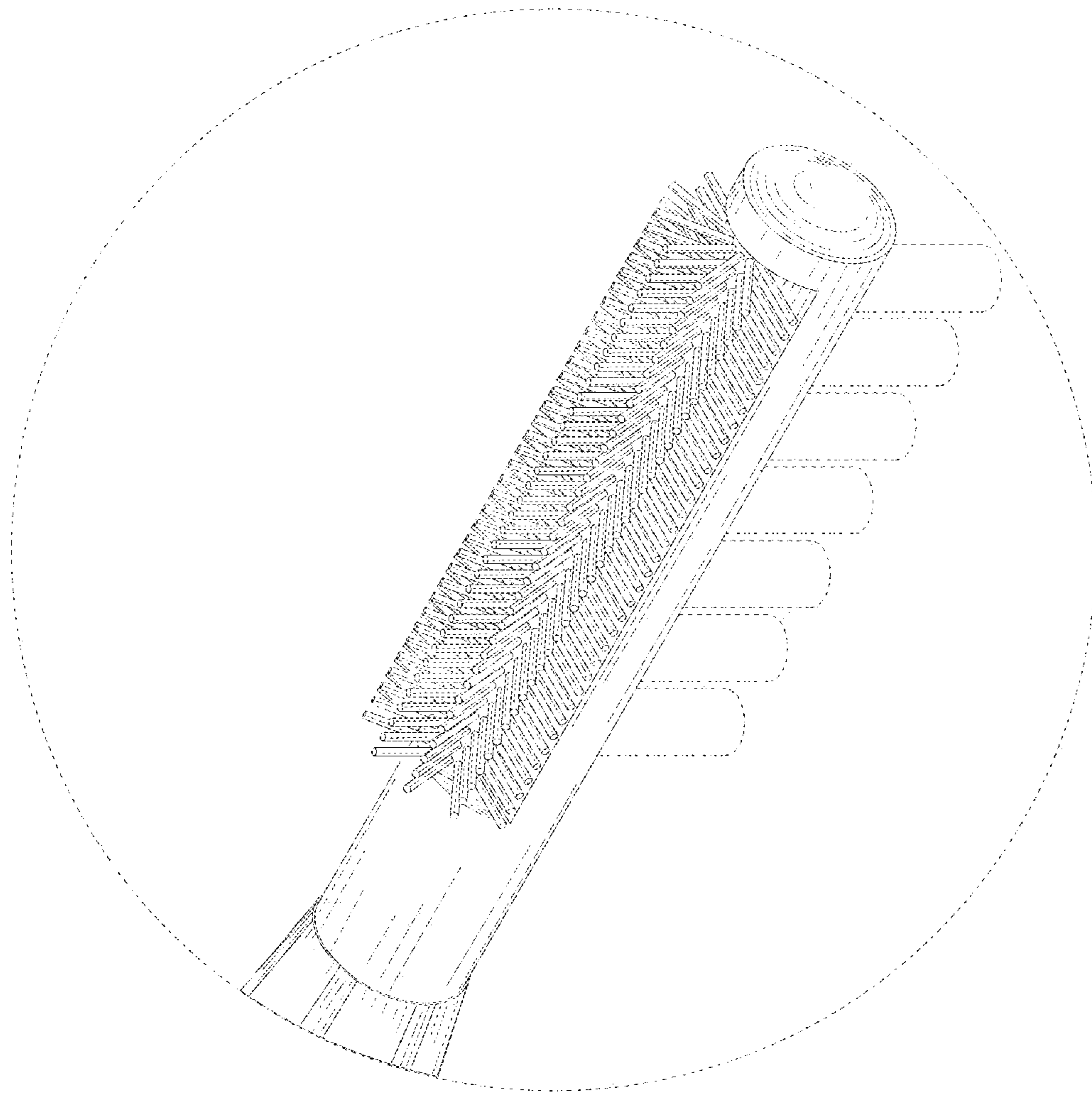


FIG. 9