



US00D869855S

(12) **United States Design Patent** (10) **Patent No.:** **US D869,855 S**
Khayat (45) **Date of Patent:** **** Dec. 17, 2019**

(54) **TOOTHBRUSH HANDLE**
(71) Applicant: **Burst. USA, Inc.**, Venice, CA (US)
(72) Inventor: **Hamish Khayat**, Venice, CA (US)
(73) Assignee: **Burst.USA Inc.**, Venice, CA (US)
(**) Term: **15 Years**
(21) Appl. No.: **29/657,680**

8,533,892 B2 9/2013 Dabrowski
8,587,162 B2 11/2013 Kagami et al.
8,618,701 B2 12/2013 Takahashi et al.
8,782,841 B2 7/2014 Sale et al.
(Continued)

FOREIGN PATENT DOCUMENTS

CN 203674948 6/2014
JP 2005199362 7/2005
(Continued)

(22) Filed: **Jul. 24, 2018**
(51) **LOC (12) Cl.** **04-02**
(52) **U.S. Cl.**
USPC **D4/101**
(58) **Field of Classification Search**
USPC D4/100, 101, 102, 107, 108, 109, 110,
D4/111, 114, 116, 121, 125, 127, 128,
D4/130, 132, 133, 134, 138, 199
See application file for complete search history.

OTHER PUBLICATIONS

Screenshot from video entitled, "Burst Brush Slow Motion," by Charlotte Smiled [on-line]. Published Jul. 16, 2017; retrieved from the Internet Aug. 5, 2019. URL: <https://www.youtube.com/watch?v=tPgrsK5FzXo> (Year: 2017).*
(Continued)

Primary Examiner — Karen E Eldridge Powers
(74) *Attorney, Agent, or Firm* — Cooley LLP

(56) **References Cited**

U.S. PATENT DOCUMENTS

4,595,849 A 6/1986 Cuenoud
5,150,492 A 9/1992 Suroff
5,994,855 A 11/1999 Lundell et al.
6,322,573 B1 11/2001 Murayama
D476,485 S * 7/2003 Mulder D4/101
6,726,698 B2 4/2004 Cimino
D543,034 S 5/2007 Winkler
D578,475 S 10/2008 Beedham
D589,255 S 3/2009 Taylor et al.
7,690,067 B2 4/2010 Schaefer et al.
D632,894 S 2/2011 Shigeno et al.
D636,604 S 4/2011 Zhuan
D653,035 S 1/2012 Gebski
8,209,808 B2 7/2012 Kressner
D669,687 S 10/2012 Heil et al.
8,373,387 B2 2/2013 Bourilkov et al.
D688,045 S 8/2013 Key et al.

(57)

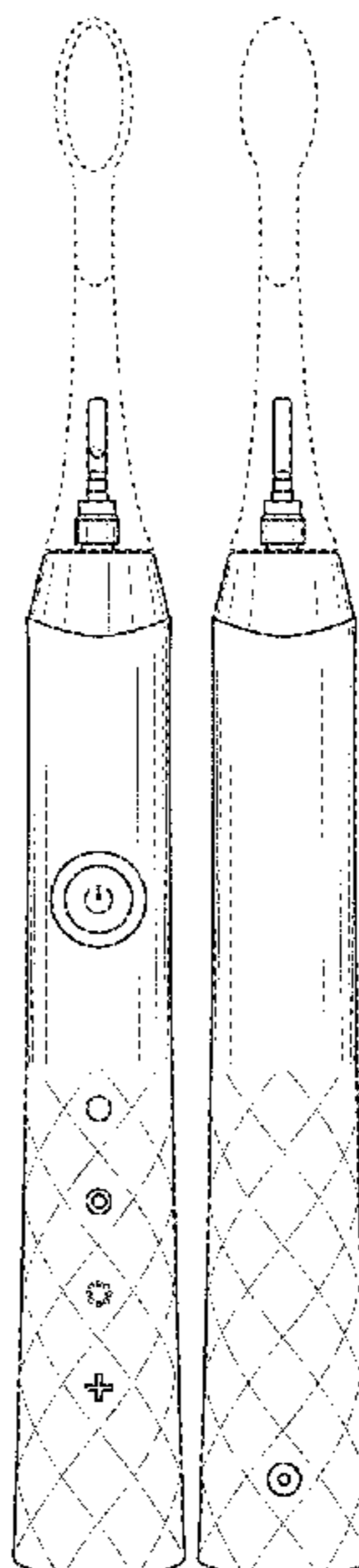
CLAIM

The ornamental design for a toothbrush handle, as shown and described.

DESCRIPTION

FIG. 1 is a perspective view of my toothbrush handle;
FIG. 2 is a front elevation view thereof;
FIG. 3 is a rear elevation view thereof;
FIG. 4 is a left side elevation view thereof;
FIG. 5 is a right side elevation view thereof;
FIG. 6 is a top plan view thereof;
FIG. 7 is a bottom plan view thereof; and,
FIG. 8 is a perspective view thereof.
The broken line portions of the disclosure are included for the purpose of illustrating environment and form no part of the claimed design.

1 Claim, 7 Drawing Sheets



(56)

References Cited

U.S. PATENT DOCUMENTS

D715,057 S 10/2014 Adriaenssen et al.
 D718,056 S * 11/2014 Masee D4/101
 D718,057 S 11/2014 Masee et al.
 9,015,886 B2 * 4/2015 Fritsch A61C 17/34
 15/167.1
 D743,173 S * 11/2015 Sohn D4/101
 9,204,948 B2 12/2015 Kloster
 9,237,943 B2 1/2016 Graeve
 D759,383 S 6/2016 Watkins
 D758,079 S 7/2016 Since
 D761,567 S 7/2016 Uchida
 D762,987 S * 8/2016 Kim D4/104
 9,462,877 B2 * 10/2016 Xi A46B 5/0029
 D773,822 S * 12/2016 Sikora D4/101
 9,597,169 B2 3/2017 Hall
 9,668,840 B2 6/2017 Miller
 9,681,743 B2 6/2017 Xi et al.
 9,687,329 B2 6/2017 Lee
 9,724,180 B1 8/2017 Liu
 9,795,465 B2 10/2017 Fattori
 D814,195 S * 4/2018 Sikora D4/102
 D819,974 S * 6/2018 Johansson D4/101
 D824,677 S * 8/2018 Tseng D4/101
 D825,188 S * 8/2018 Luo D4/101
 D834,322 S * 11/2018 Sohn D4/101
 D838,111 S * 1/2019 Lee D4/110
 D850,112 S * 6/2019 Wang D4/101
 2011/0107536 A1 5/2011 Dabrowski et al.
 2014/0130274 A1 5/2014 Fattori

2014/0143963 A1 5/2014 Fattori
 2014/0143964 A1 5/2014 Fattori
 2014/0150190 A1 6/2014 Fattori
 2016/0218576 A1 7/2016 Luo et al.
 2017/0095321 A1 4/2017 Goddard et al.
 2017/0098988 A1 4/2017 Barbet
 2017/0119511 A1 5/2017 Sablatschan et al.
 2017/0151044 A1 6/2017 Okai
 2017/0273769 A1 9/2017 Dengler
 2017/0360538 A1 * 12/2017 Luo A46B 5/0095

FOREIGN PATENT DOCUMENTS

JP 2013165878 8/2013
 WO 2010001197 1/2010

OTHER PUBLICATIONS

Video entitled, "Burst Brush Slow Motion," by Charlotte Smiled [on-line]. Published Jul. 16, 2017; retrieved from the Internet Aug. 5, 2019. URL: <https://www.youtube.com/watch?v=tPgrsK5FzXo> (Year: 2017).*

Screenshots from video entitled, "Burst Brushing Technique," by Charlotte Smiled [on-line]. Published Aug. 3, 2017; retrieved Aug. 5, 2019. URL: <https://www.youtube.com/watch?v=mBsWCMphA-4> (Year: 2017).*

Video entitled, "Burst Brushing Technique," by Charlotte Smiled [on-line]. Published Aug. 3, 2017; retrieved Aug. 5, 2019. URL: <https://www.youtube.com/watch?v=mBsWCMphA-4> (Year: 2017).*

* cited by examiner

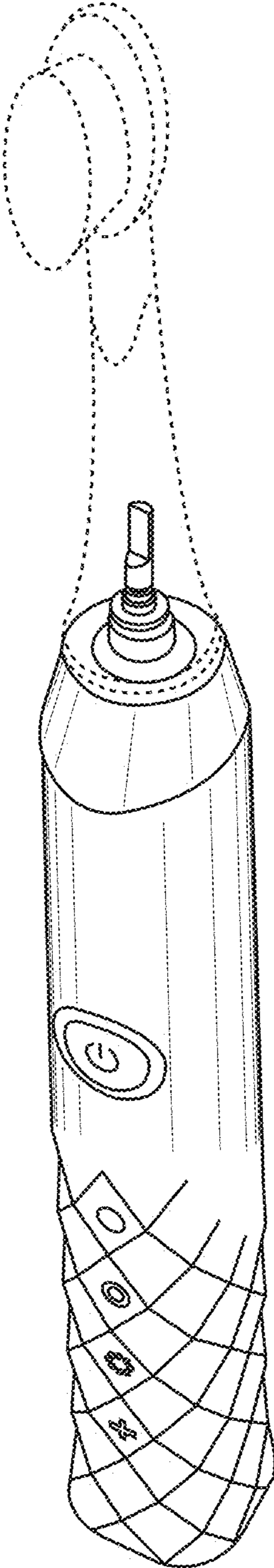


Fig. 1

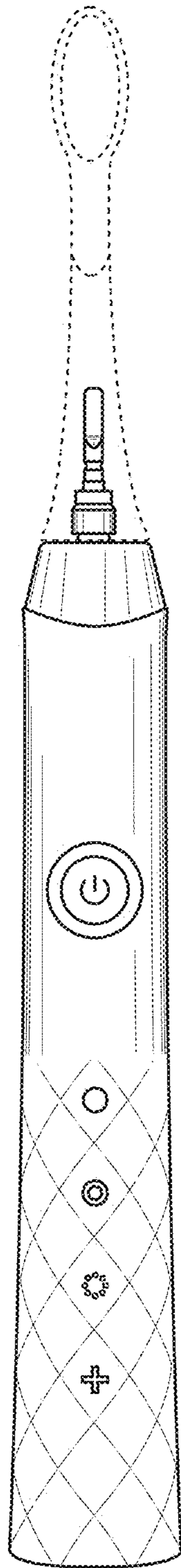


Fig. 2

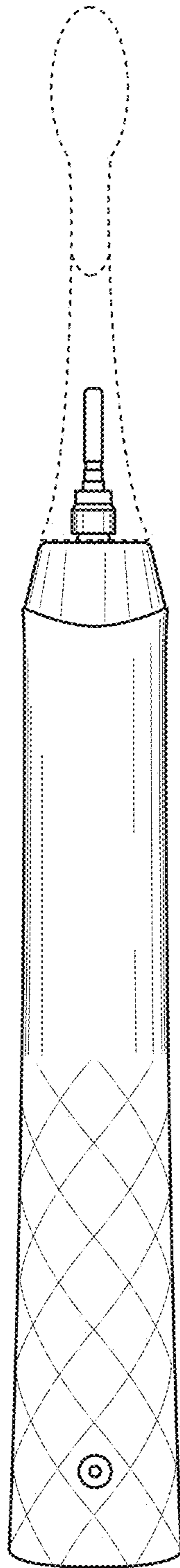


Fig. 3

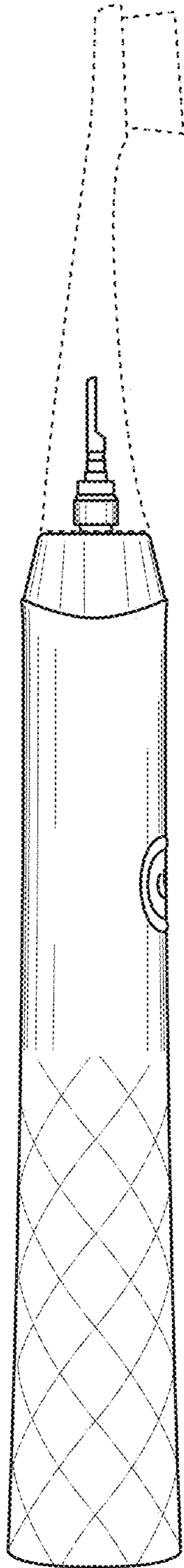


Fig. 4

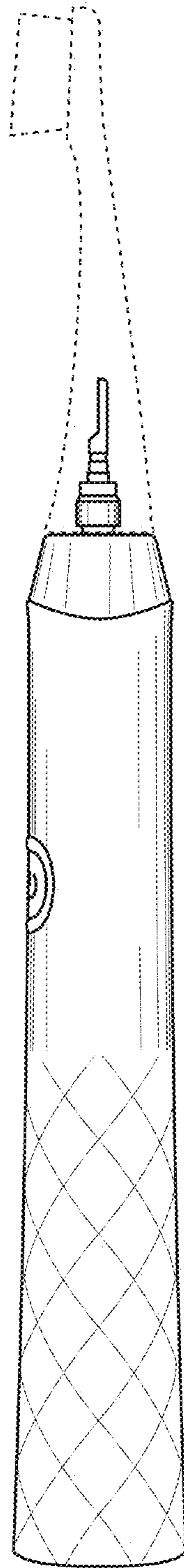


Fig. 5

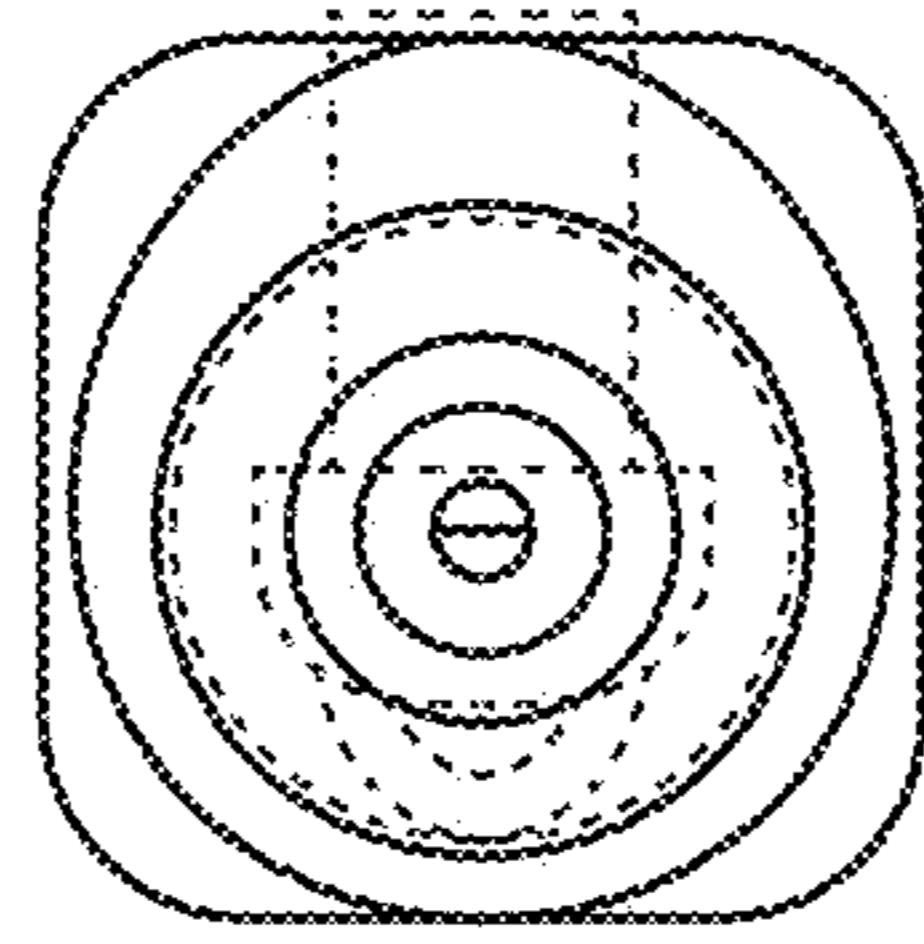


Fig. 6

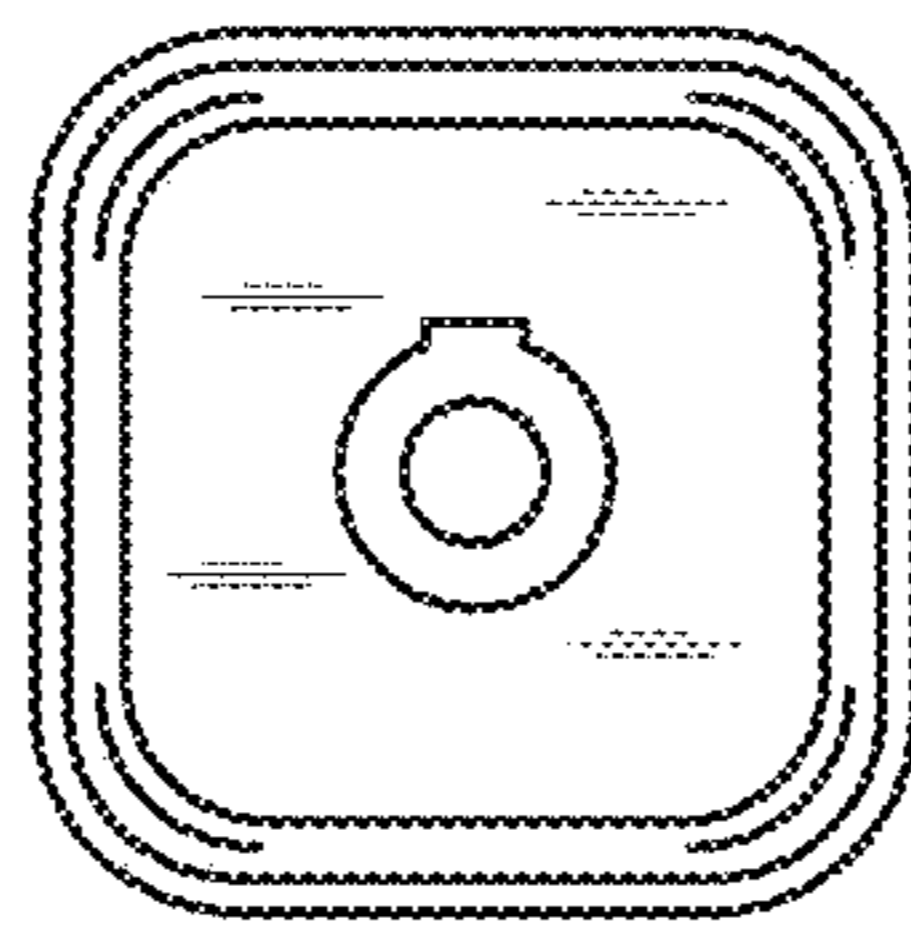


Fig. 7

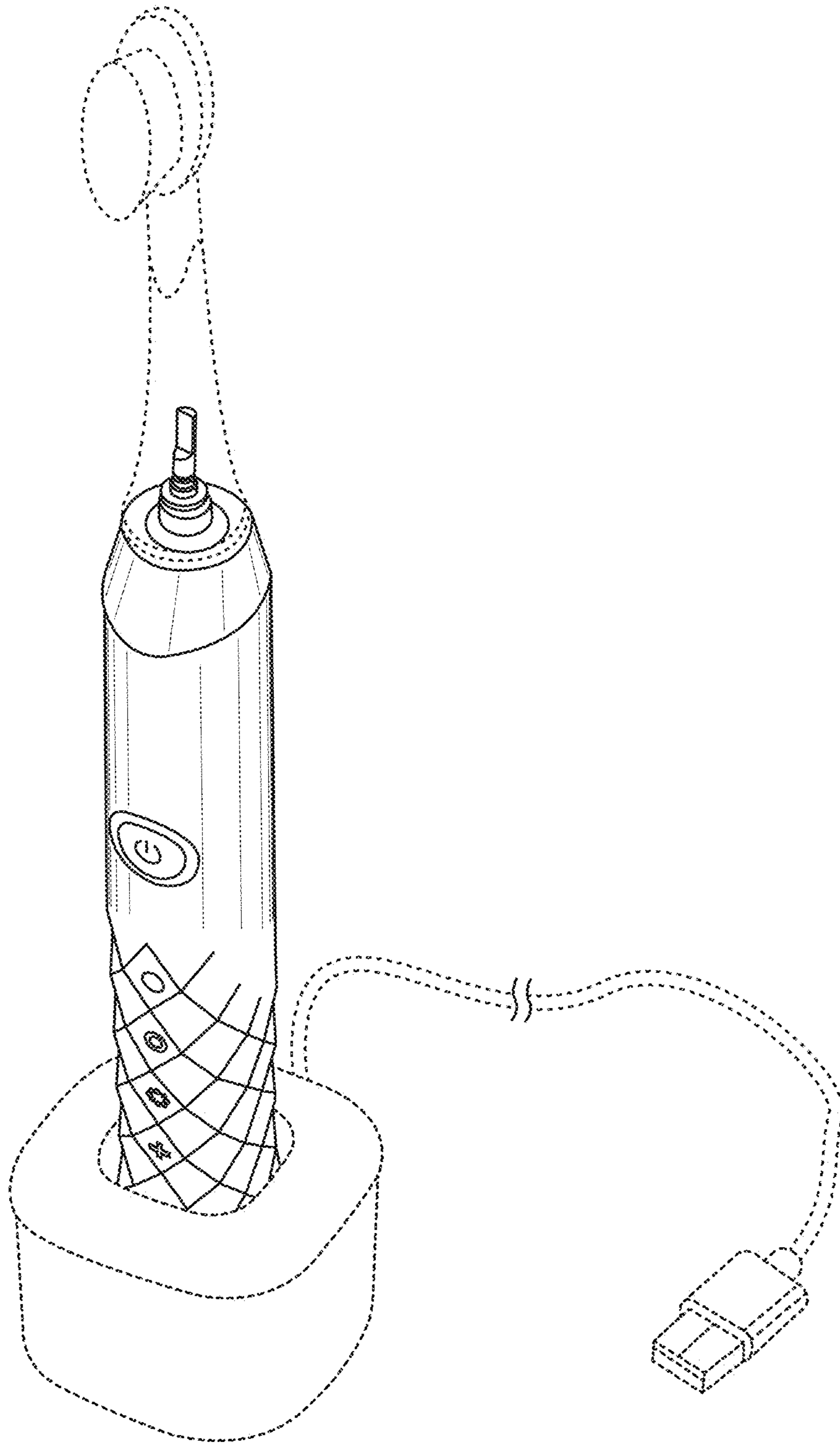


Fig. 8