



US00D869850S

(12) **United States Design Patent**  
**Luo et al.**

(10) **Patent No.:** **US D869,850 S**  
(45) **Date of Patent:** **\*\* Dec. 17, 2019**

(54) **BATH BRUSH**

(71) Applicant: **Shenzhen Hongwang Nicemay Electric Co., Ltd, Shenzhen (CN)**

(72) Inventors: **Dewei Luo, Shenzhen (CN); Kaiqiang Qiu, Shenzhen (CN)**

(73) Assignee: **SHENZHEN HONGWANG NICEMAY ELECTRIC CO., LTD, Shenzhen (CN)**

(\*\*) Term: **15 Years**

(21) Appl. No.: **29/655,541**

(22) Filed: **Jul. 4, 2018**

(51) **LOC (12) Cl.** ..... **28-03**

(52) **U.S. Cl.**  
USPC ..... **D4/100; D28/63**

(58) **Field of Classification Search**  
USPC ..... D4/100, 102, 121, 127, 128, 129, 130, D4/132, 133, 134, 136, 138, 199; D28/7, D28/63; D24/214, 211, 215  
CPC ..... A46B 7/08; A46B 9/02; A46B 13/001; A46B 13/02; A46B 2200/102; A46B 5/02; A46B 5/021; A46B 9/026; A46B 13/023; A46B 2200/1006; A46B 13/008; A47K 7/043

See application file for complete search history.

(56) **References Cited**

**U.S. PATENT DOCUMENTS**

2,778,043 A \* 1/1957 Arf ..... A47L 23/06 15/28  
D197,458 S \* 2/1964 Bucknell ..... D4/115  
D334,844 S \* 4/1993 Lunderman ..... D4/138  
D368,343 S \* 3/1996 Gebhard ..... D24/215  
D523,642 S \* 6/2006 Hollinger ..... D4/114  
7,503,715 B2 \* 3/2009 Khubani ..... A46B 11/0013 401/205

D693,932 S \* 11/2013 Nichols ..... D24/214  
D703,825 S \* 4/2014 Barrett ..... D24/200  
D750,893 S \* 3/2016 Owen ..... D4/100  
D753,399 S \* 4/2016 Owen ..... D4/100  
9,351,559 B2 \* 5/2016 Pardo ..... A46B 13/008  
D778,064 S \* 2/2017 Owen ..... D4/127  
9,596,928 B2 \* 3/2017 Pardo ..... A61H 23/0263  
D825,187 S \* 8/2018 Luo ..... D4/101  
10,188,199 B2 \* 1/2019 Hilliard ..... A46B 5/005  
D841,176 S \* 2/2019 Gaquiere ..... D24/211  
10,252,051 B2 \* 4/2019 Nichols ..... A46B 7/04  
D849,259 S \* 5/2019 Gaquiere ..... D24/211

(Continued)

**FOREIGN PATENT DOCUMENTS**

CN 304896116 \* 11/2018  
EM 005375508-0001 \* 11/2018

*Primary Examiner* — Karen E Eldridge Powers

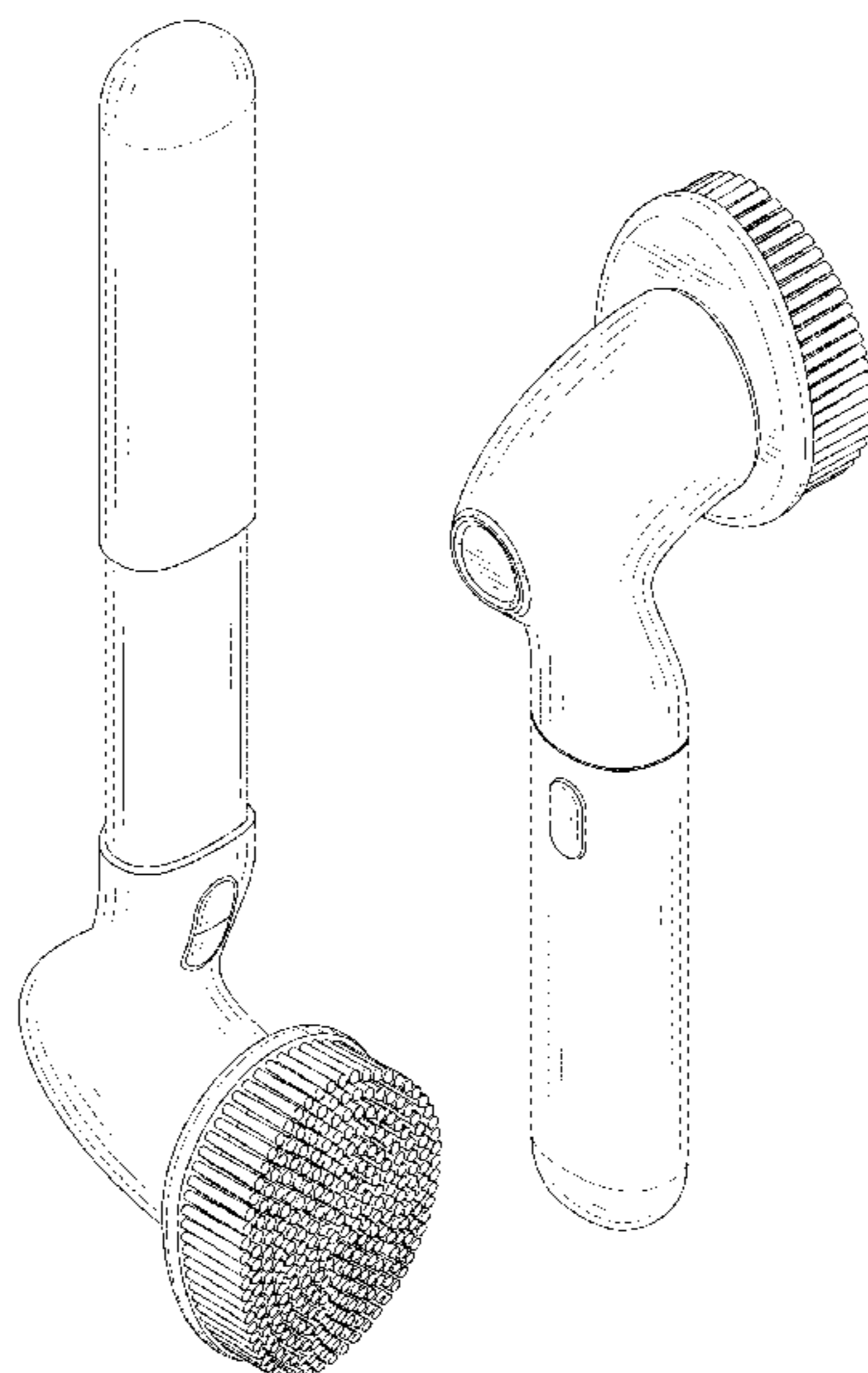
(57) **CLAIM**

The ornamental design for a bath brush, as shown and described.

**DESCRIPTION**

FIG. 1 is a perspective view of a bath brush showing my new design with a handle in an extended position;  
FIG. 2 is another perspective view of the bath brush with the handle in an extended position;  
FIG. 3 is a front elevational view of FIG. 1;  
FIG. 4 is a rear elevational view of FIG. 1;  
FIG. 5 is a left side elevational view of FIG. 1;  
FIG. 6 is a right side elevational view of FIG. 1;  
FIG. 7 is a top plan view of FIG. 1;  
FIG. 8 is a bottom plan view of FIG. 1;  
FIG. 9 is a perspective view of the bath brush with the handle in a non-extended position; and,  
FIG. 10 is an enlarged view of the portion 10 of FIG. 7.  
The broken lines in the drawings are for the purpose of illustrating portions of the bath brush that form no part of the claimed design.

**1 Claim, 10 Drawing Sheets**



(56)

**References Cited**

U.S. PATENT DOCUMENTS

2008/0167590 A1\* 7/2008 Jon ..... A45D 34/042  
601/160  
2019/0117356 A1\* 4/2019 Bartschi ..... A46B 9/026

\* cited by examiner

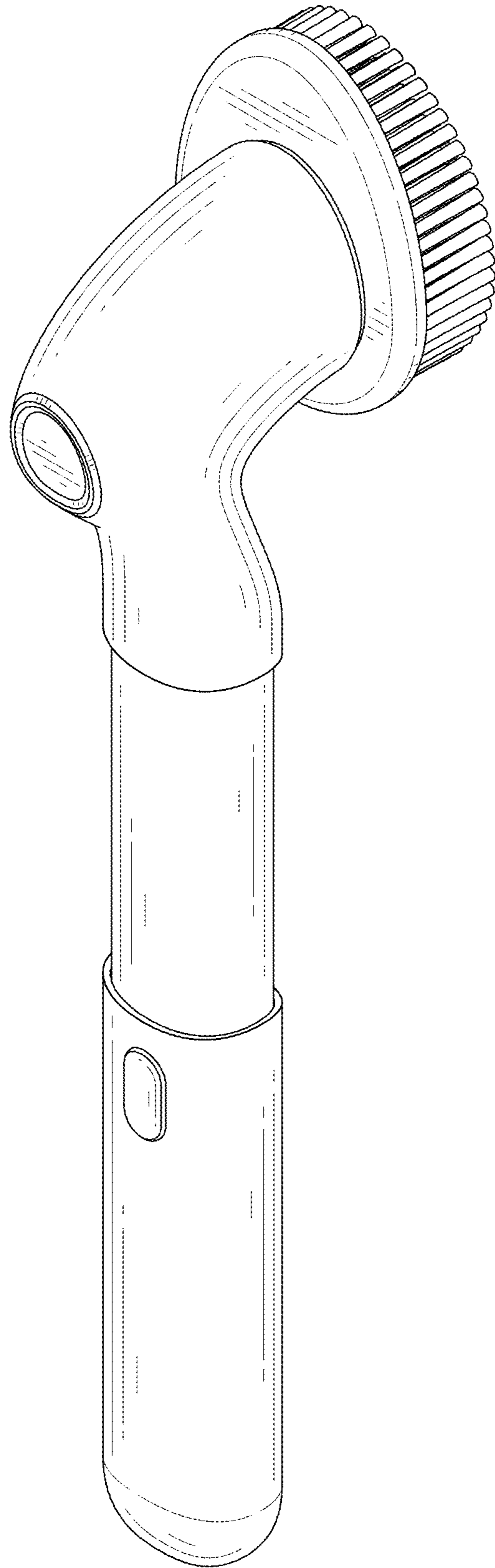


FIG. 1

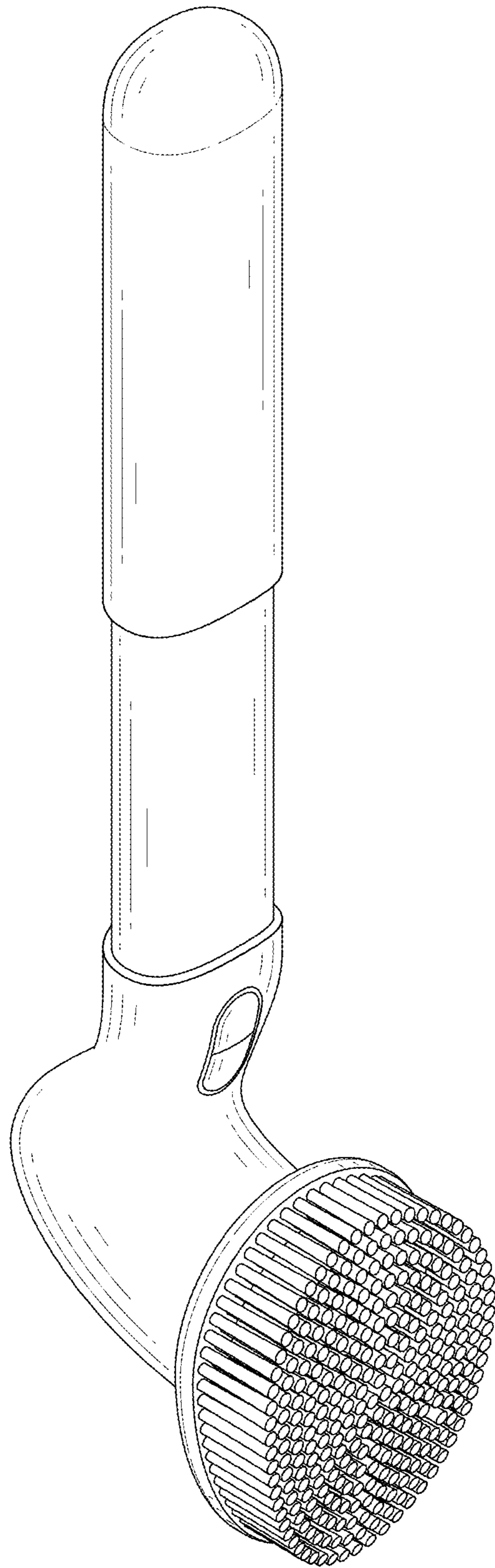


FIG. 2

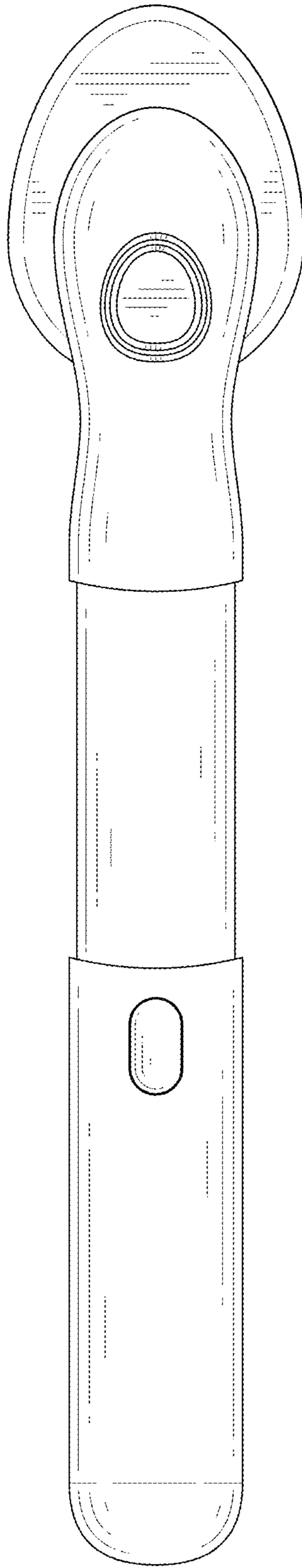


FIG. 3



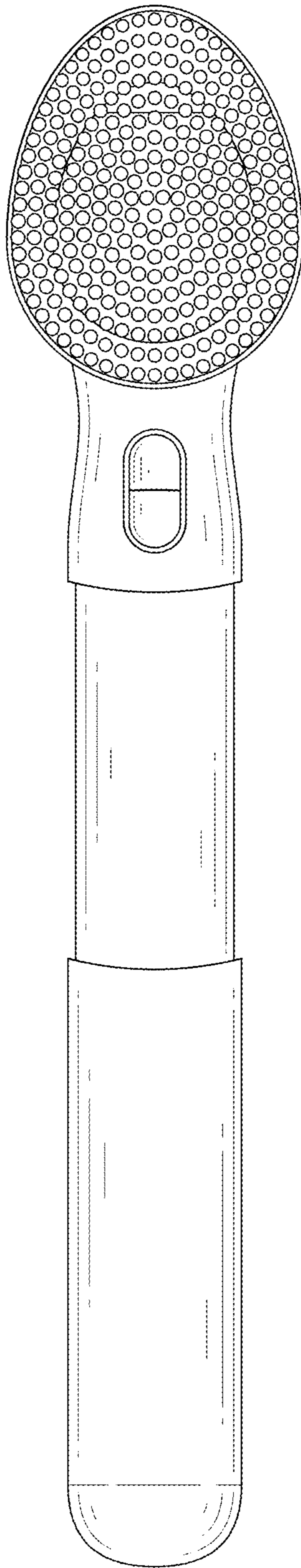


FIG. 4

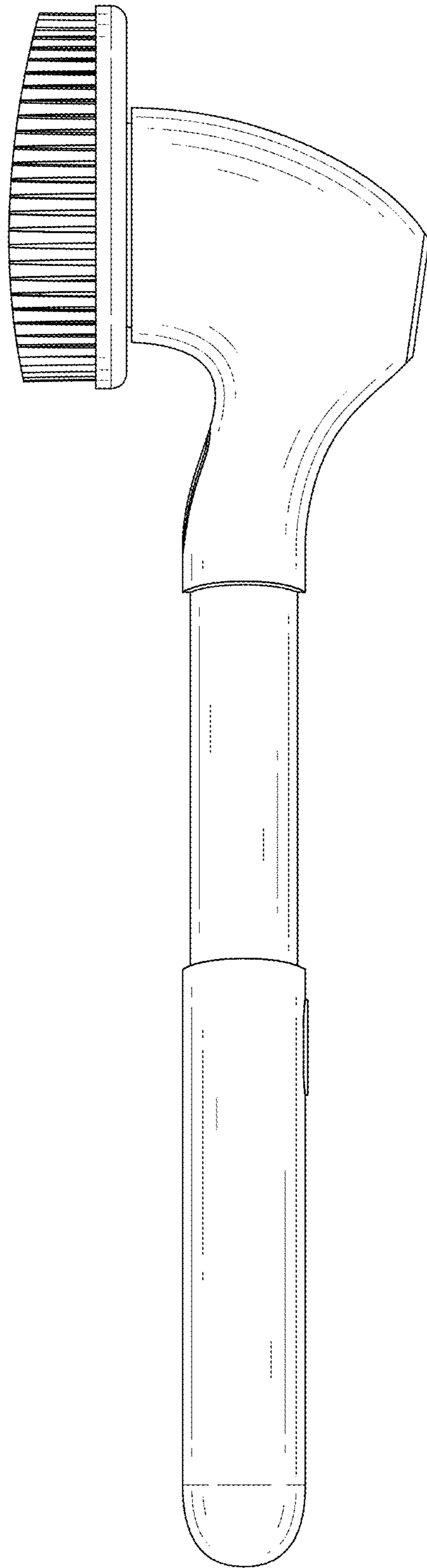


FIG. 5

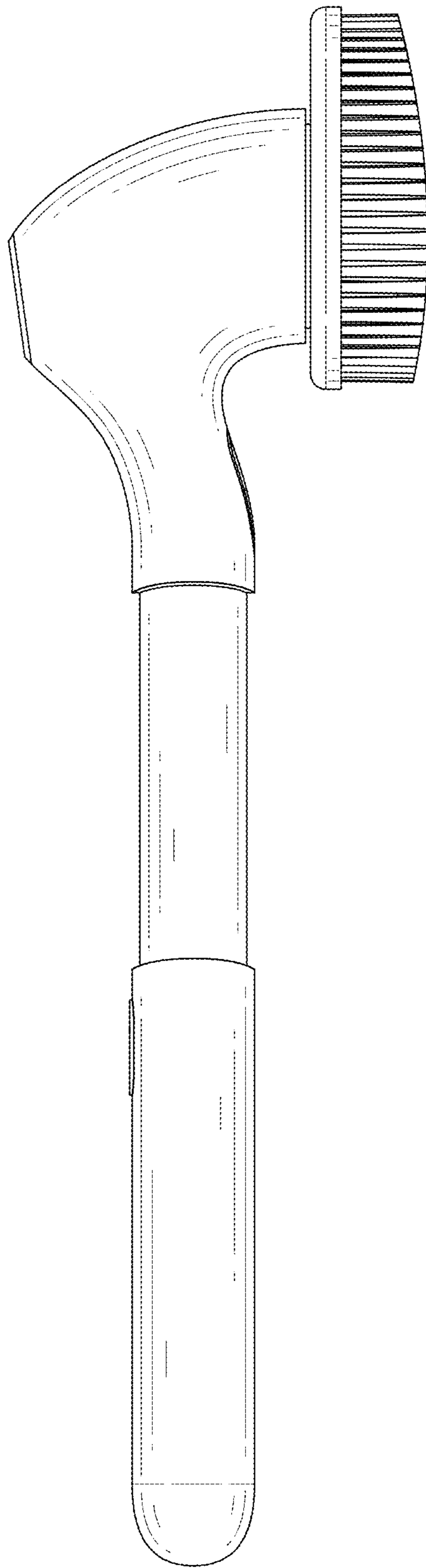


FIG. 6



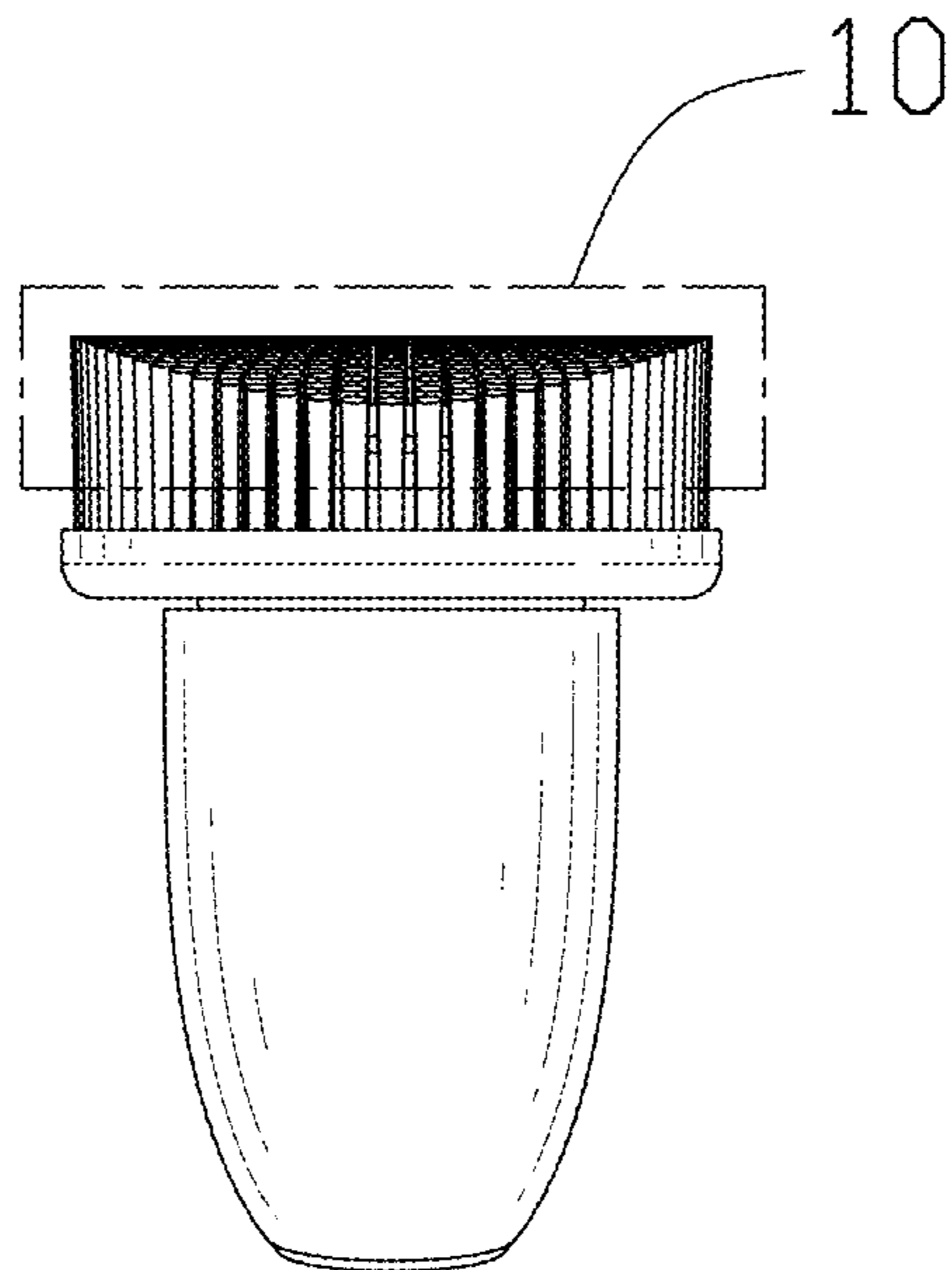


FIG. 7

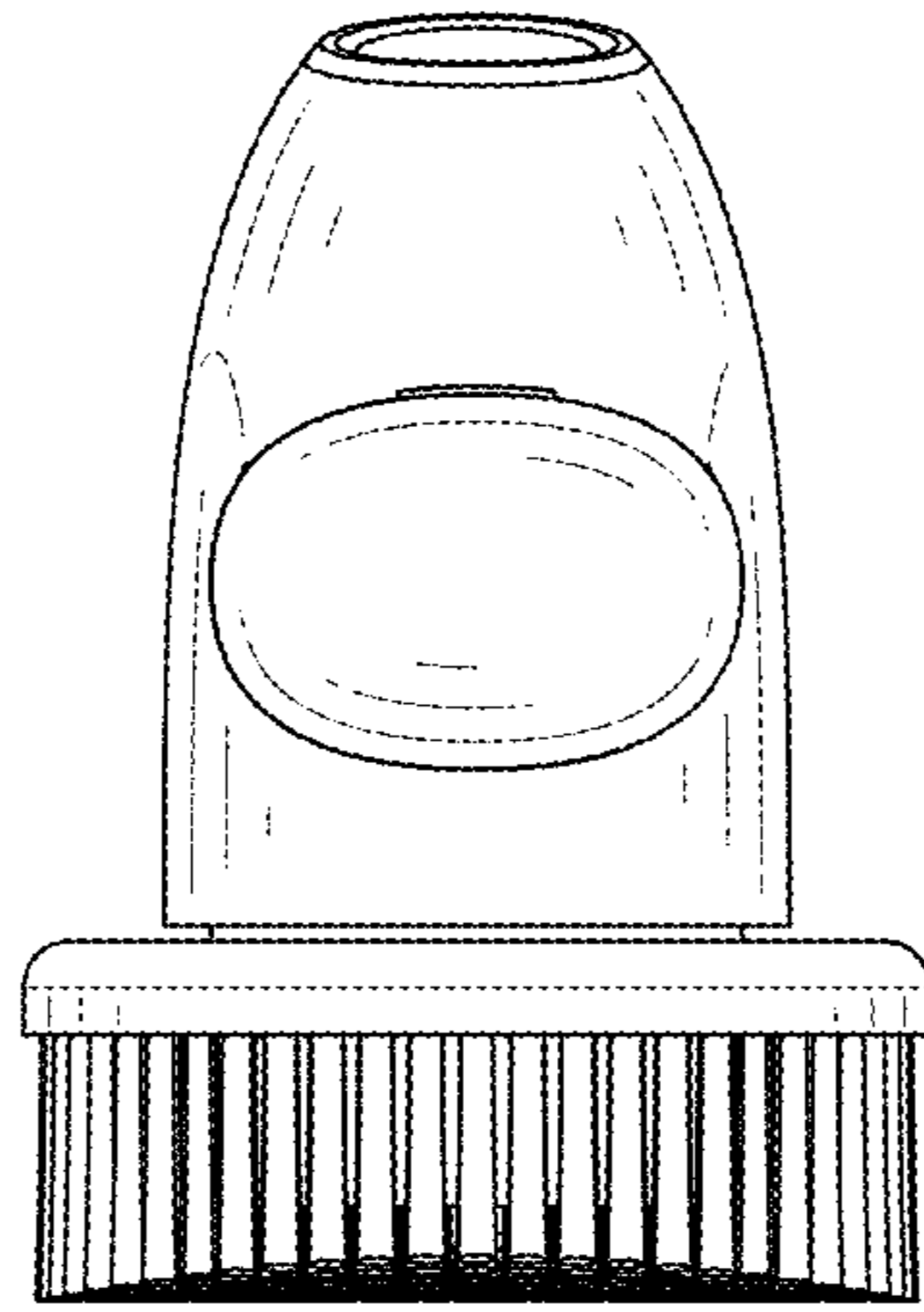


FIG. 8

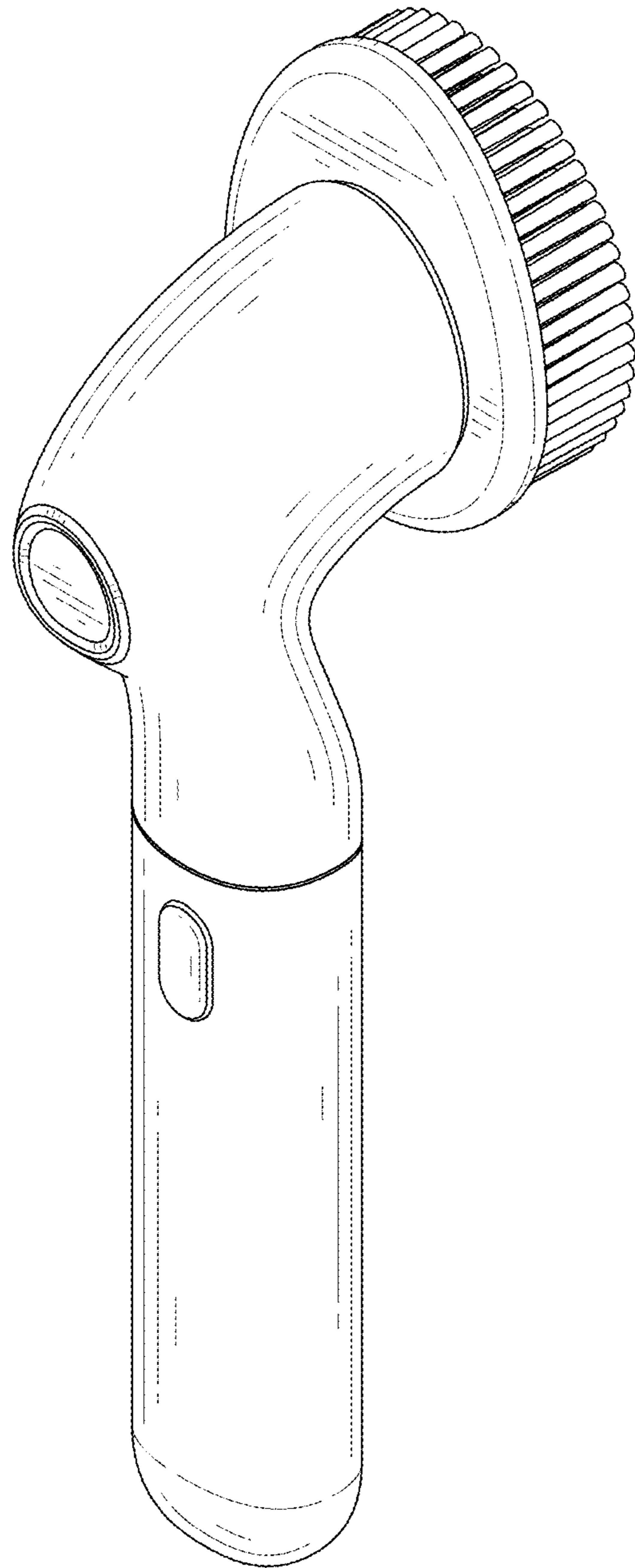


FIG. 9

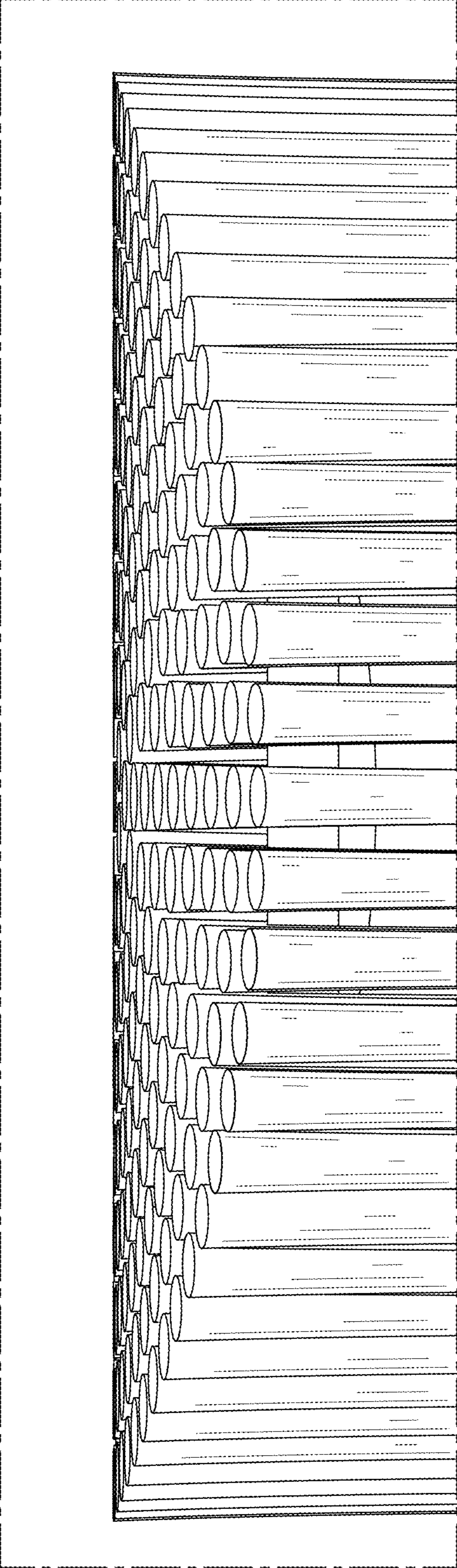


FIG. 10