



US00D869848S

(12) **United States Design Patent** (10) **Patent No.:** **US D869,848 S**
Wu (45) **Date of Patent:** **** Dec. 17, 2019**

(54) **WHEELSET**
(71) Applicant: **Chen-Chuan Wu**, New Taipei (TW)
(72) Inventor: **Chen-Chuan Wu**, New Taipei (TW)
(**) Term: **15 Years**
(21) Appl. No.: **29/628,051**
(22) Filed: **Dec. 1, 2017**
(30) **Foreign Application Priority Data**
Jul. 31, 2017 (TW) 106304356
(51) **LOC (12) Cl.** **03-01**
(52) **U.S. Cl.**
USPC **D3/318**
(58) **Field of Classification Search**
USPC D3/318, 321, 323-328, 226, 229, 230,
D3/232-234, 240, 243, 245, 246, 270,
D3/306; D8/300, 303, 312, 342;
D12/409
See application file for complete search history.

(56) **References Cited**
U.S. PATENT DOCUMENTS
D668,049 S * 10/2012 Buller D3/318
D703,442 S * 4/2014 Parker D3/318
D718,938 S * 12/2014 Parker D3/318
D732,293 S * 6/2015 Parker D3/318
D741,599 S * 10/2015 Parker D3/318

D753,920 S * 4/2016 Parker D3/318
D761,565 S * 7/2016 Tan D3/318
D767,280 S * 9/2016 Parker D3/318
D802,933 S * 11/2017 Morszeck D3/318
D809,726 S * 2/2018 Park D32/31
D811,090 S * 2/2018 Karl D3/318
D841,331 S * 2/2019 Karl D3/318
D848,740 S * 5/2019 Karl D3/318
2016/0286914 A1* 10/2016 Hillaert A45C 13/00

* cited by examiner

Primary Examiner — Holly E Thurman

(74) *Attorney, Agent, or Firm* — Alan D. Kamrath; Mayer & Williams PC

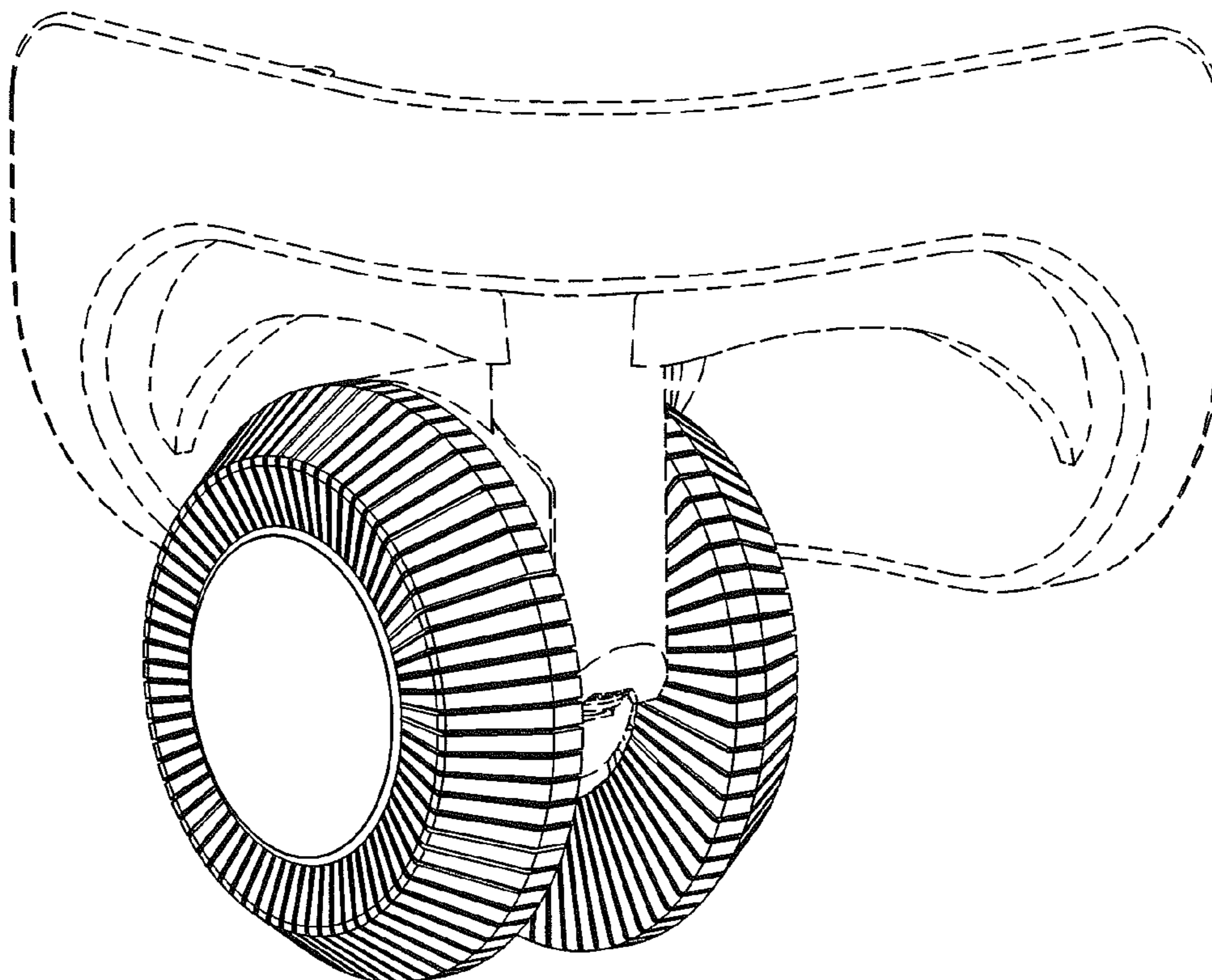
(57) **CLAIM**

The ornamental design for a wheelset, as shown and described.

DESCRIPTION

FIG. 1 is a perspective view of a wheelset in accordance with the design;
FIG. 2 is a front view thereof;
FIG. 3 is a rear view thereof;
FIG. 4 is a left view thereof;
FIG. 5 is a right view thereof;
FIG. 6 is a top view thereof; and,
FIG. 7 is a bottom view thereof.
The broken lines shown on the drawings are for the purpose of illustration and form no part of the claimed design.

1 Claim, 7 Drawing Sheets



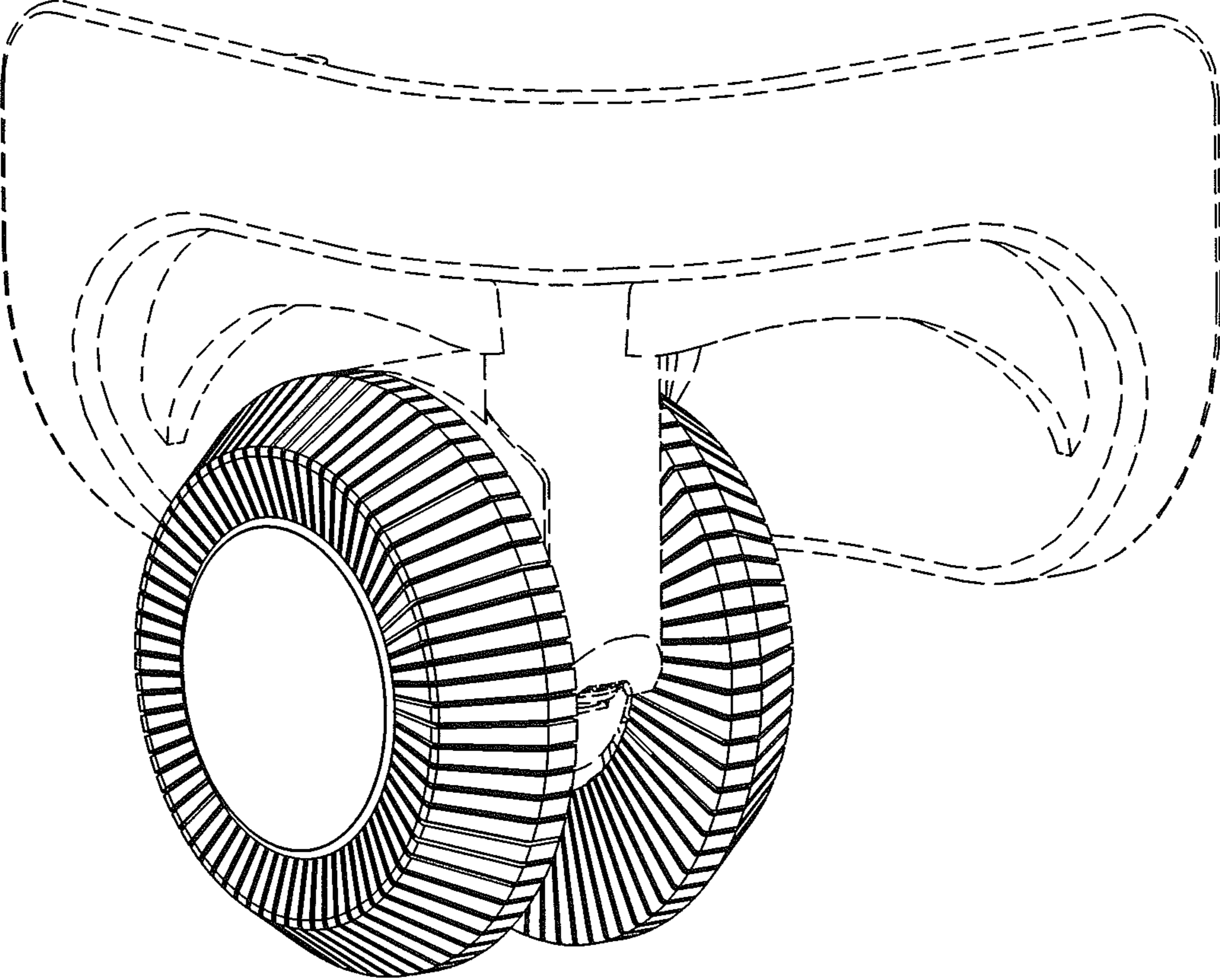


FIG. 1

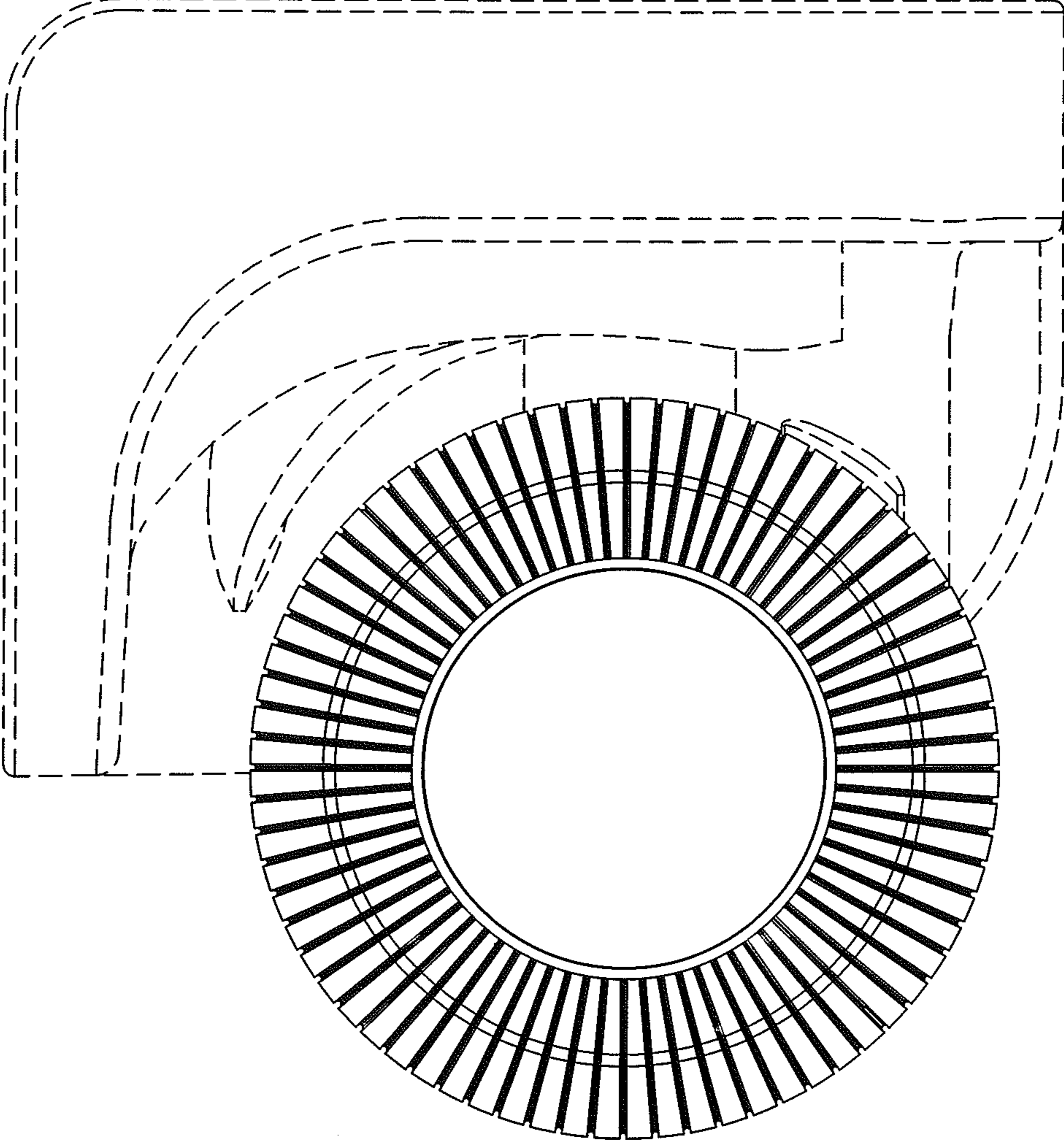


FIG. 2

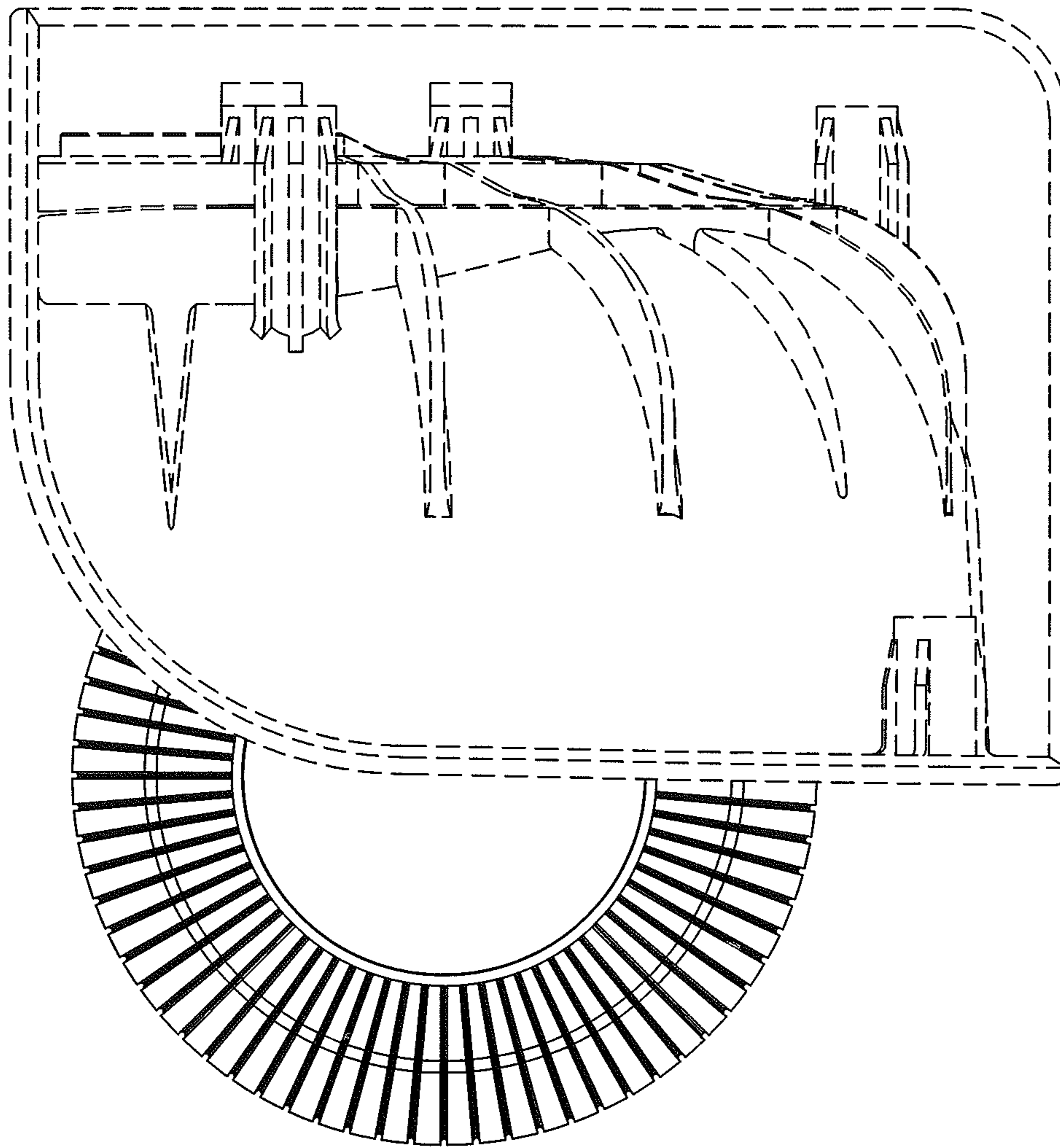


FIG. 3

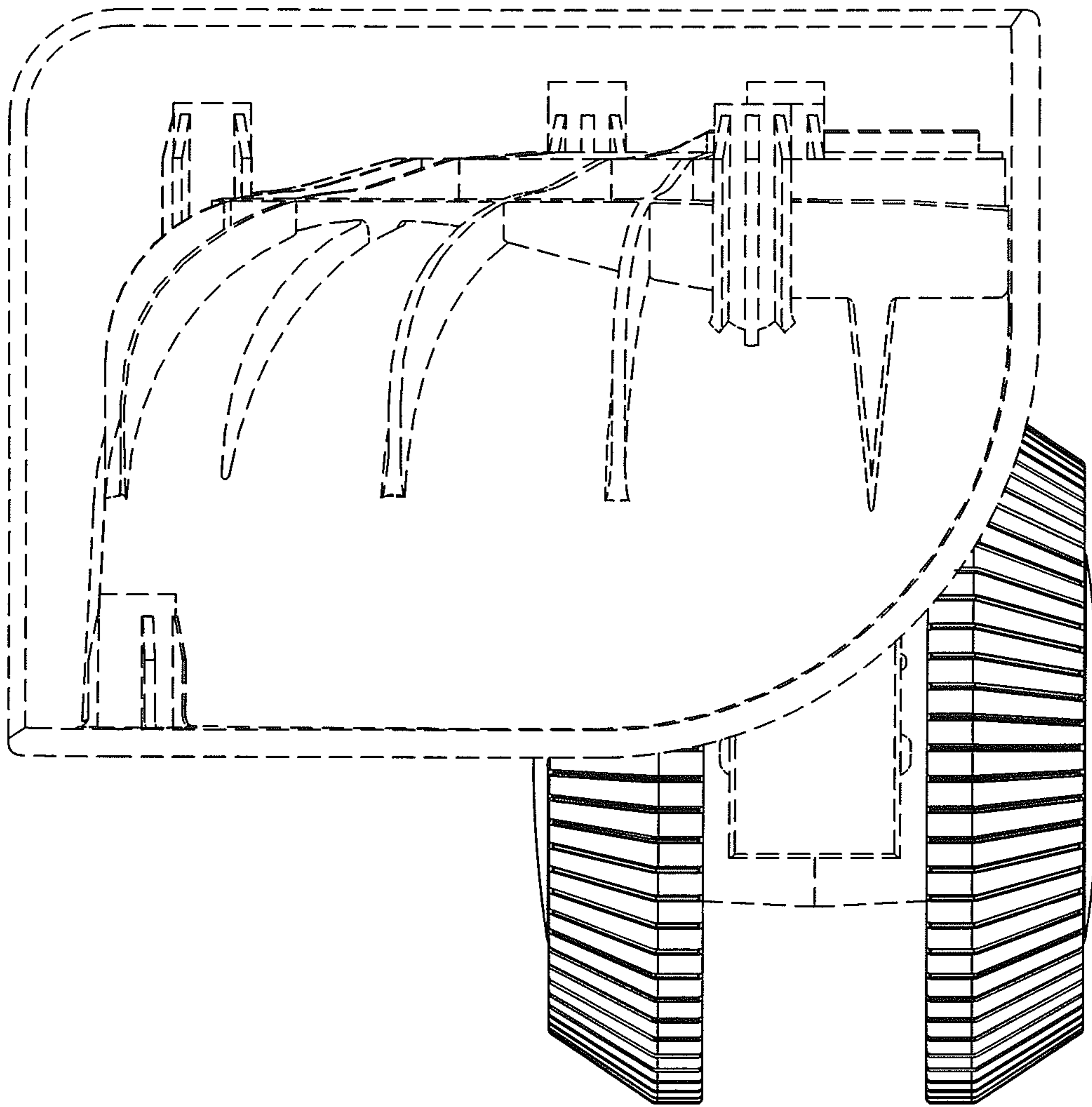


FIG. 4

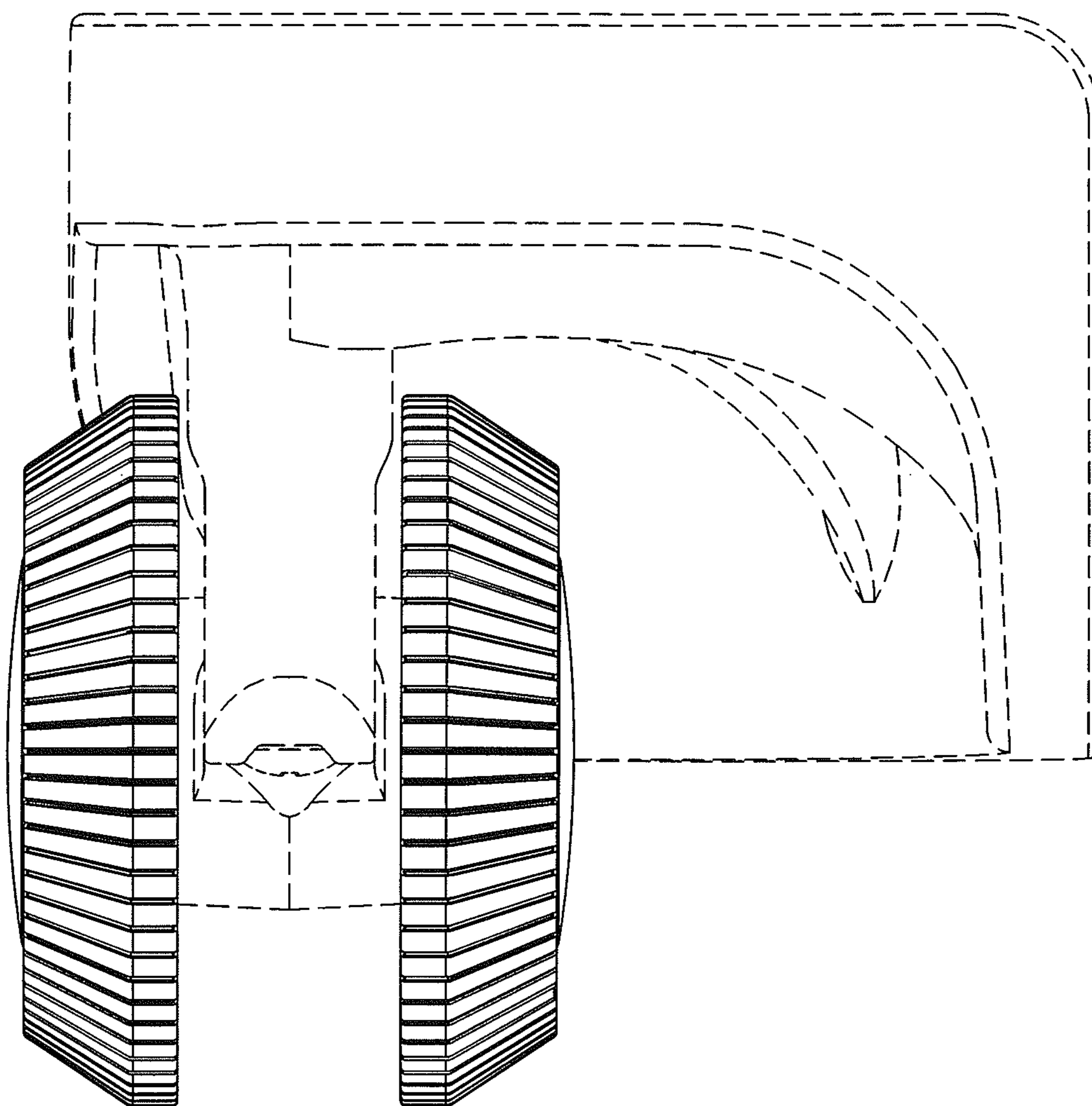


FIG. 5

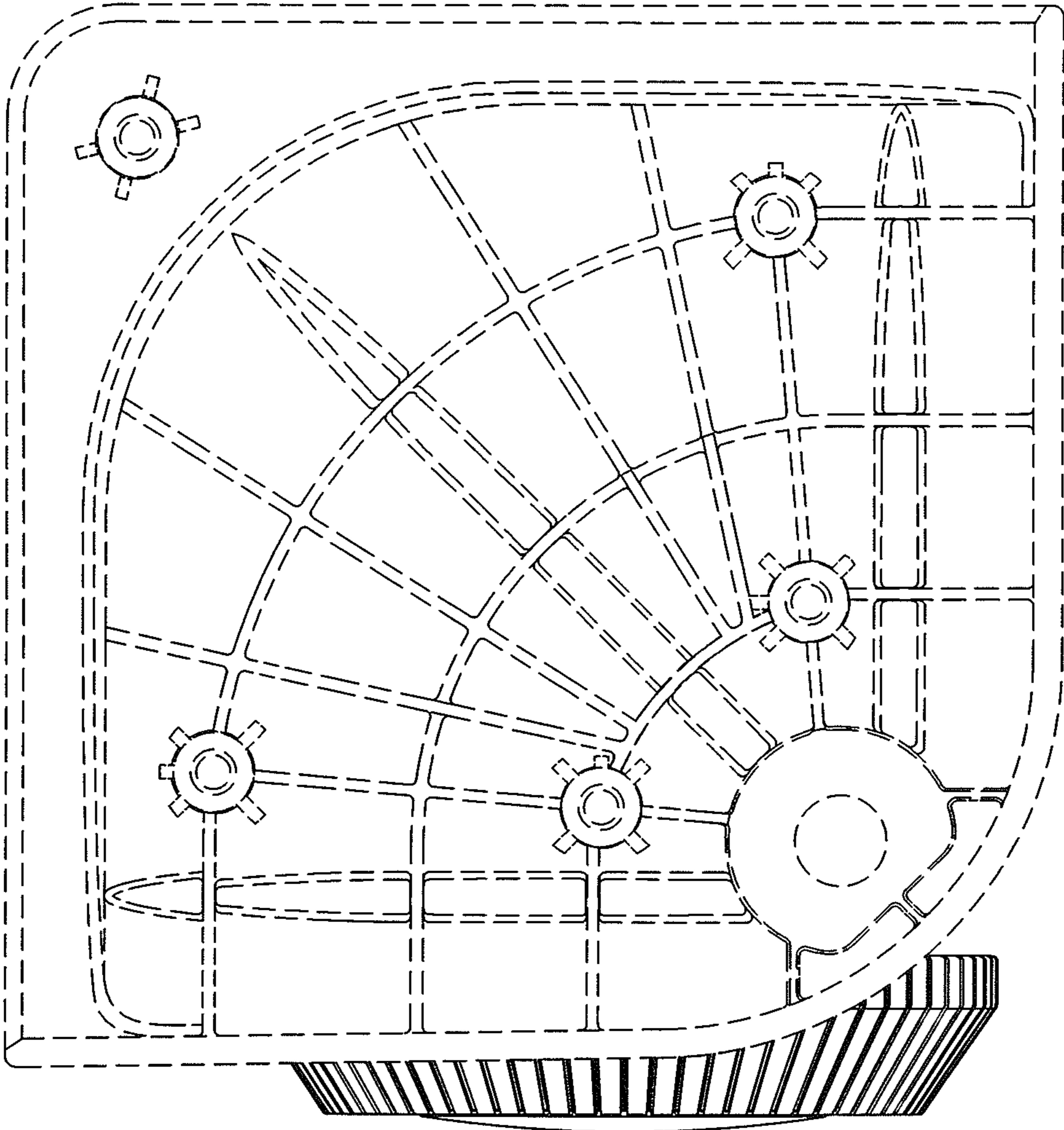


FIG. 6

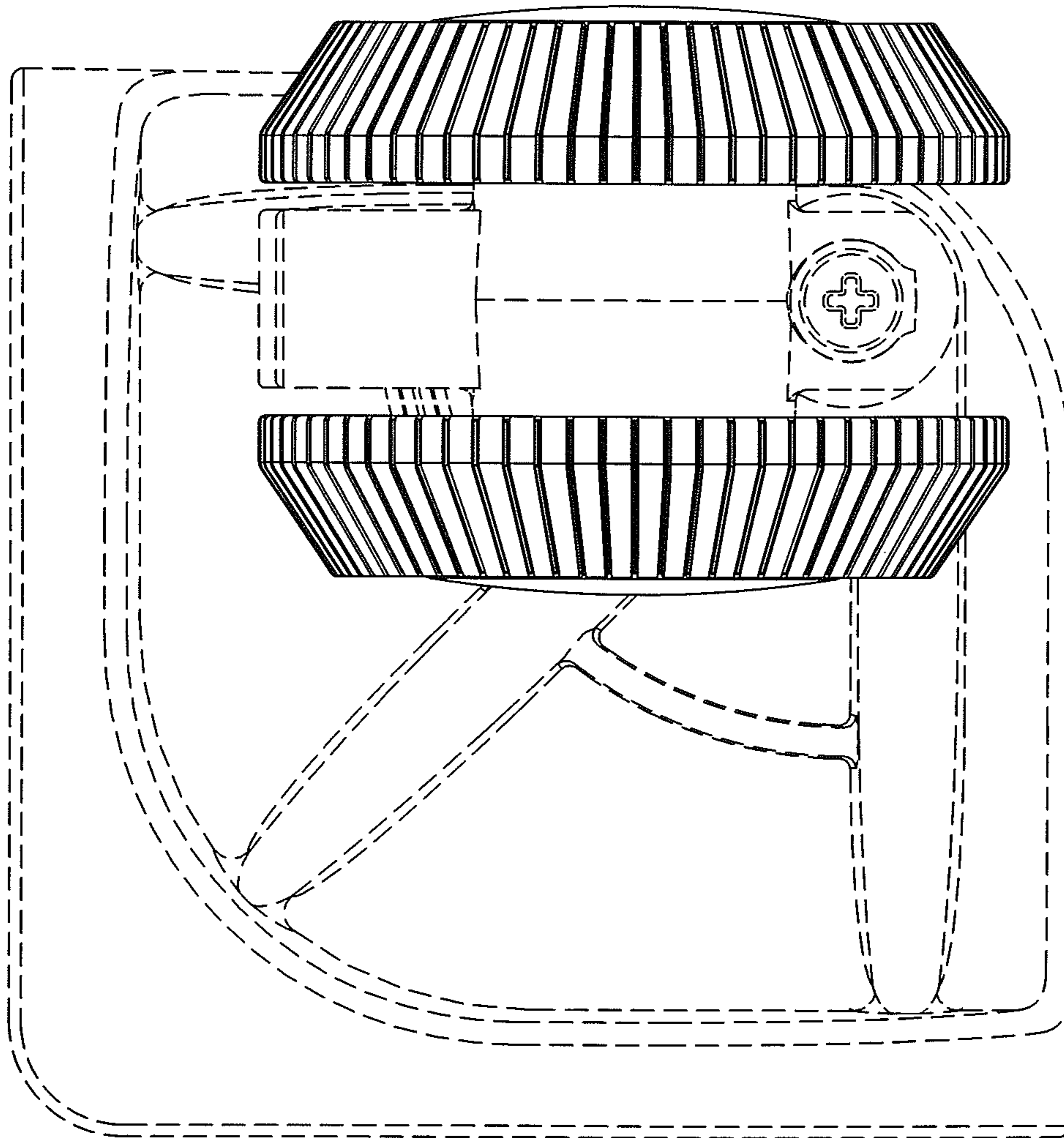


FIG. 7