



US00D869846S

(12) **United States Design Patent**
Liu

(10) **Patent No.:** **US D869,846 S**

(45) **Date of Patent:** **** Dec. 17, 2019**

- (54) **VERSATILE PORTABLE FIREPROOF BAG**
- (71) Applicant: **Shenzhen Yihuaxing Technology Co., Ltd.**, Shenzhen (CN)
- (72) Inventor: **Yuming Liu**, Lianyuan (CN)
- (**) Term: **15 Years**
- (21) Appl. No.: **29/707,596**
- (22) Filed: **Sep. 30, 2019**
- (51) **LOC (12) Cl.** **03-01**
- (52) **U.S. Cl.**
USPC **D3/301; D9/702**
- (58) **Field of Classification Search**
USPC D3/201, 215, 216–217, 213–214,
D3/232–233, 240–243, 245–246, 273,
D3/276, 289, 294, 301, 302, 303, 318;
D9/702
CPC A45C 1/024; A45C 3/06
See application file for complete search history.

- 4,913,283 A * 4/1990 Stuhn A45C 3/00
190/124
- 5,108,119 A * 4/1992 Huang A45C 5/14
190/18 A
- 6,044,879 A * 4/2000 Ray A45C 3/00
150/107
- D429,562 S * 8/2000 Lau D3/226
- 7,320,402 B2 * 1/2008 Lewis A45C 5/065
190/1
- D570,074 S 5/2008 Osiecki et al.
- D576,403 S * 9/2008 Leslie D3/201
- D663,951 S * 7/2012 Flores D3/247
- D667,195 S 9/2012 Guo
- D716,717 S * 11/2014 Swartzel D12/416
- D732,265 S 6/2015 Osiecki et al.

* cited by examiner

Primary Examiner — Holly E Thurman
(74) *Attorney, Agent, or Firm* — HYIP

(57) **CLAIM**

The ornamental design for a versatile portable fireproof bag, as shown and described.

(56) **References Cited**

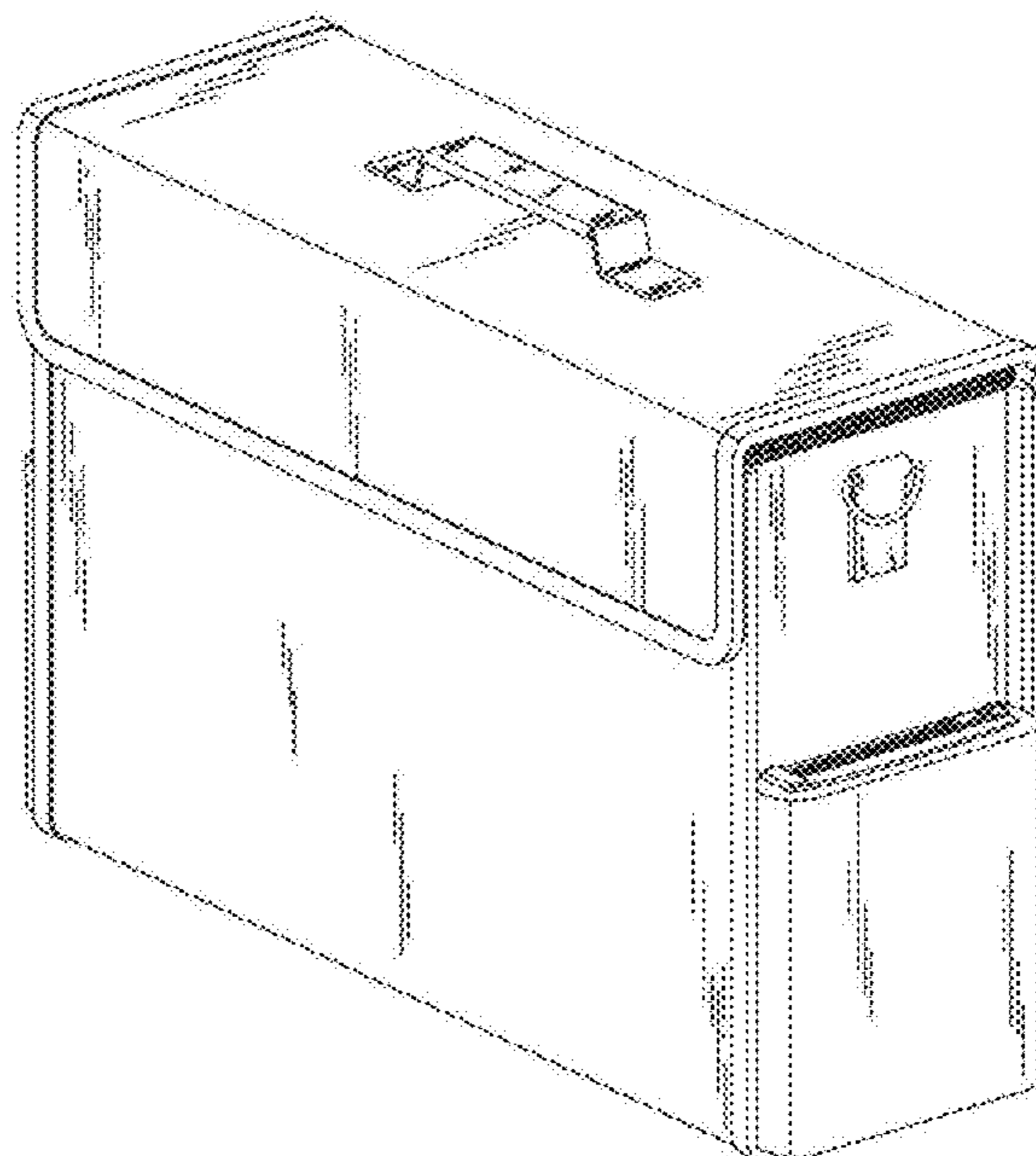
U.S. PATENT DOCUMENTS

- 965,469 A * 7/1910 Krueger A45C 3/02
190/127
- 1,658,997 A * 2/1928 Mulford A45C 3/00
190/109
- 2,822,013 A * 2/1958 Renz A45C 11/24
190/126
- 2,950,792 A * 8/1960 Axtell A45C 5/02
190/124
- 3,073,057 A * 1/1963 Farber A47B 19/08
248/461
- 3,185,271 A * 5/1965 Kotkins A45C 3/001
190/113
- 4,529,069 A * 7/1985 March A45C 13/36
190/109

DESCRIPTION

FIG. 1 is a first perspective view of a versatile portable fireproof bag showing my new design; FIG. 2 is a second perspective view thereof; FIG. 3 is a front view thereof; FIG. 4 is a back view thereof; FIG. 5 is a left side view thereof; FIG. 6 is a right side view thereof; FIG. 7 is a top view thereof; FIG. 8 is a bottom view thereof; and, FIG. 9 is a perspective view of another state of the versatile portable fireproof bag thereof.

1 Claim, 9 Drawing Sheets



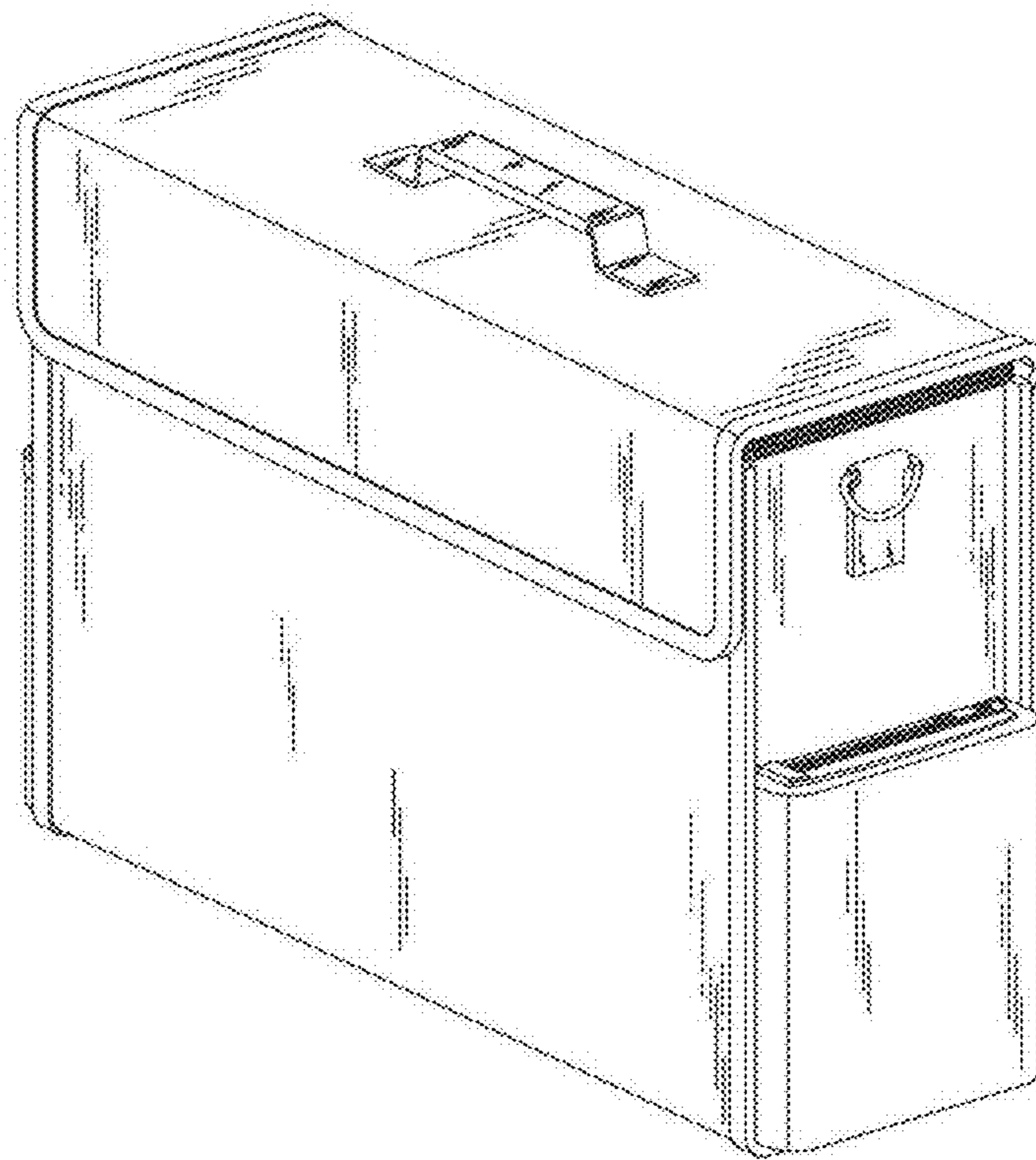


FIG. 1

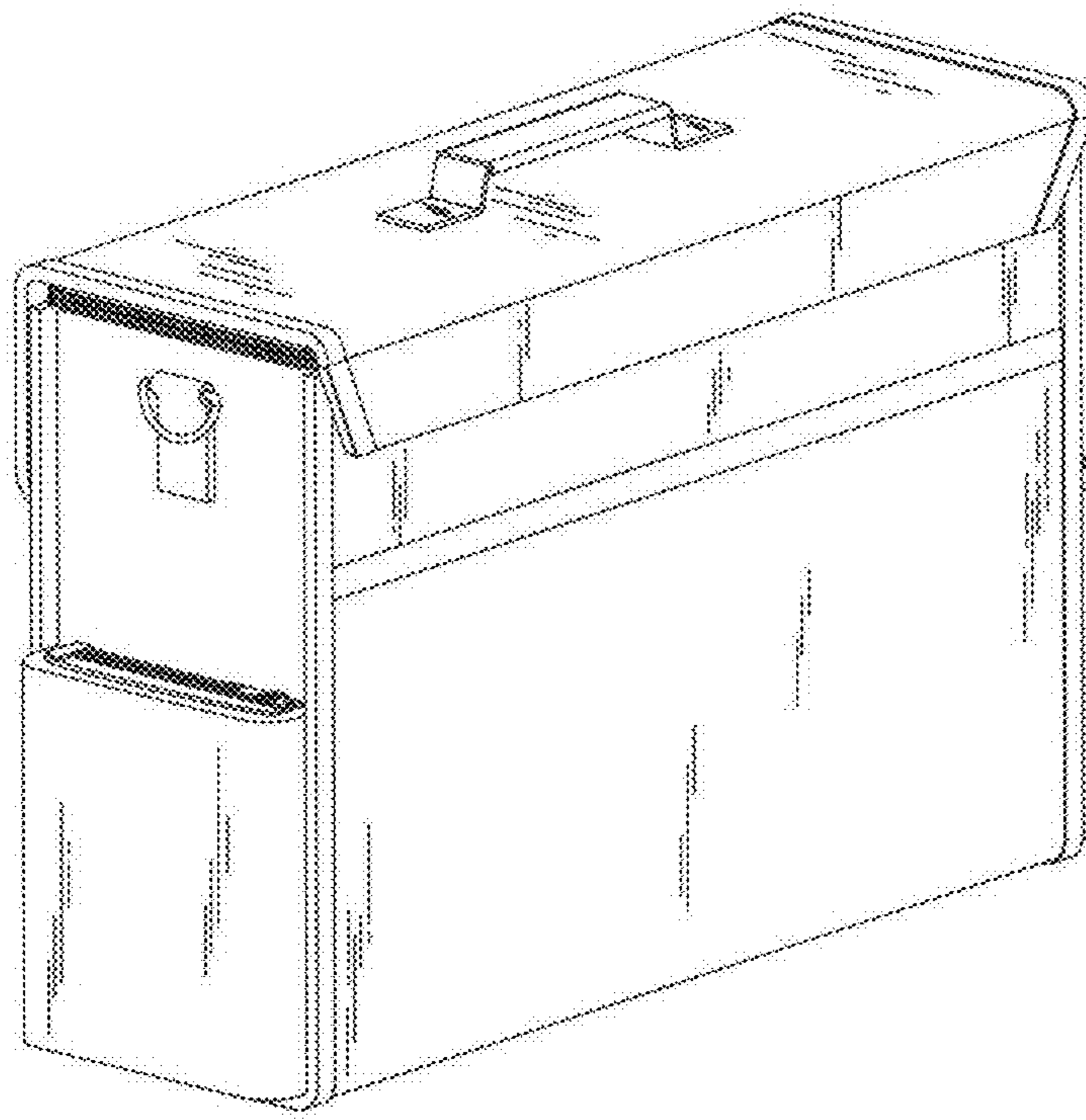


FIG. 2

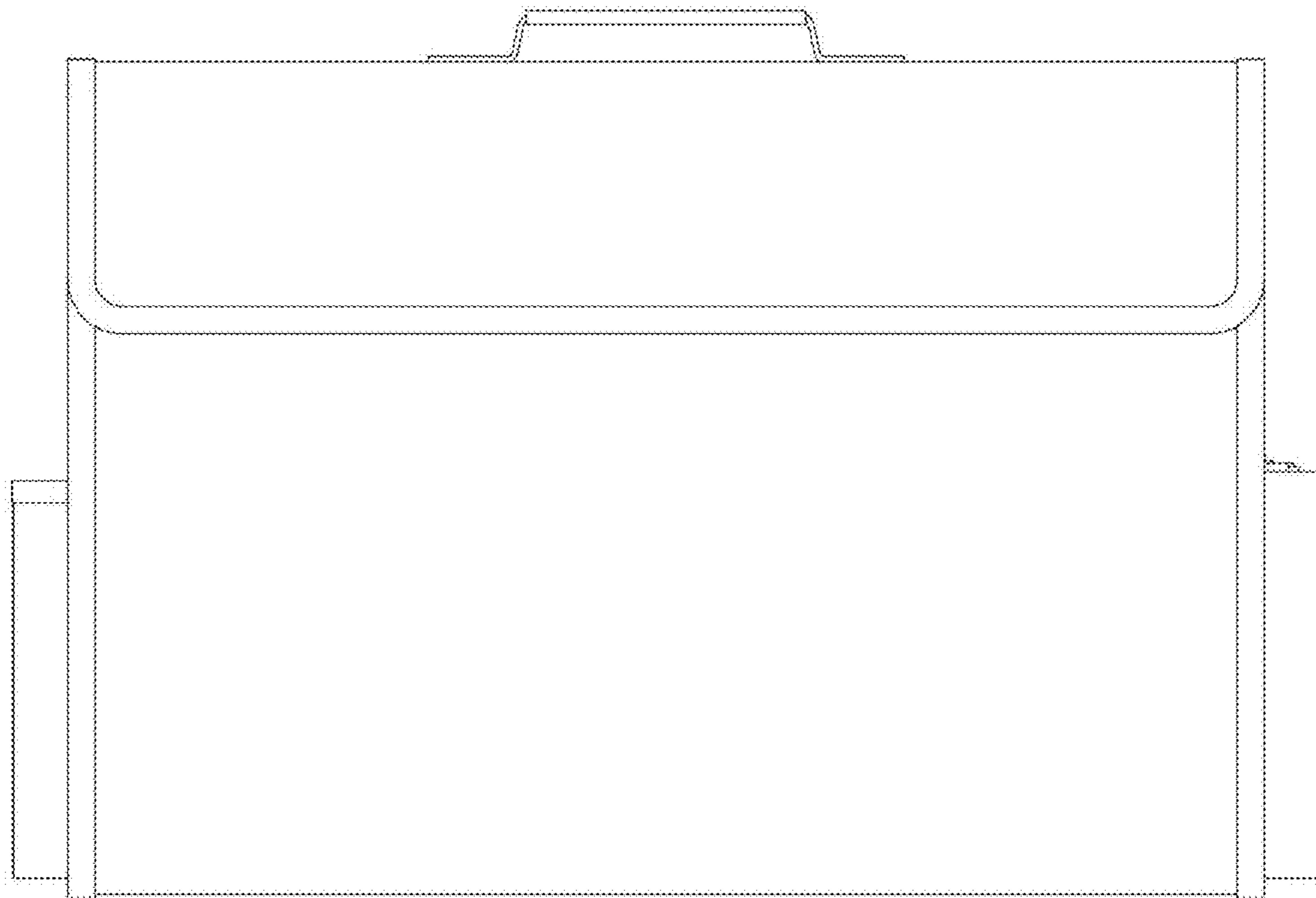


FIG. 3

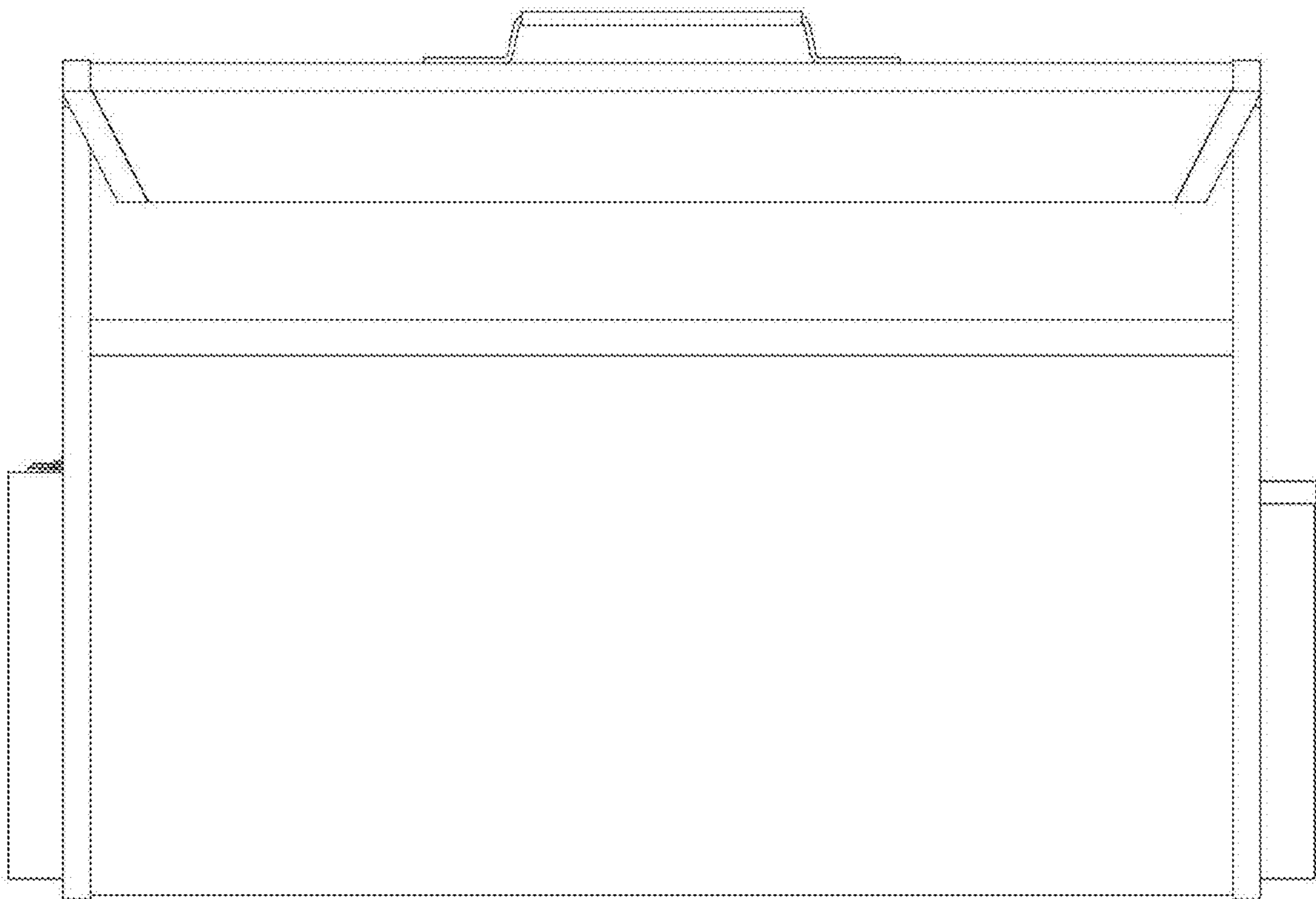


FIG. 4

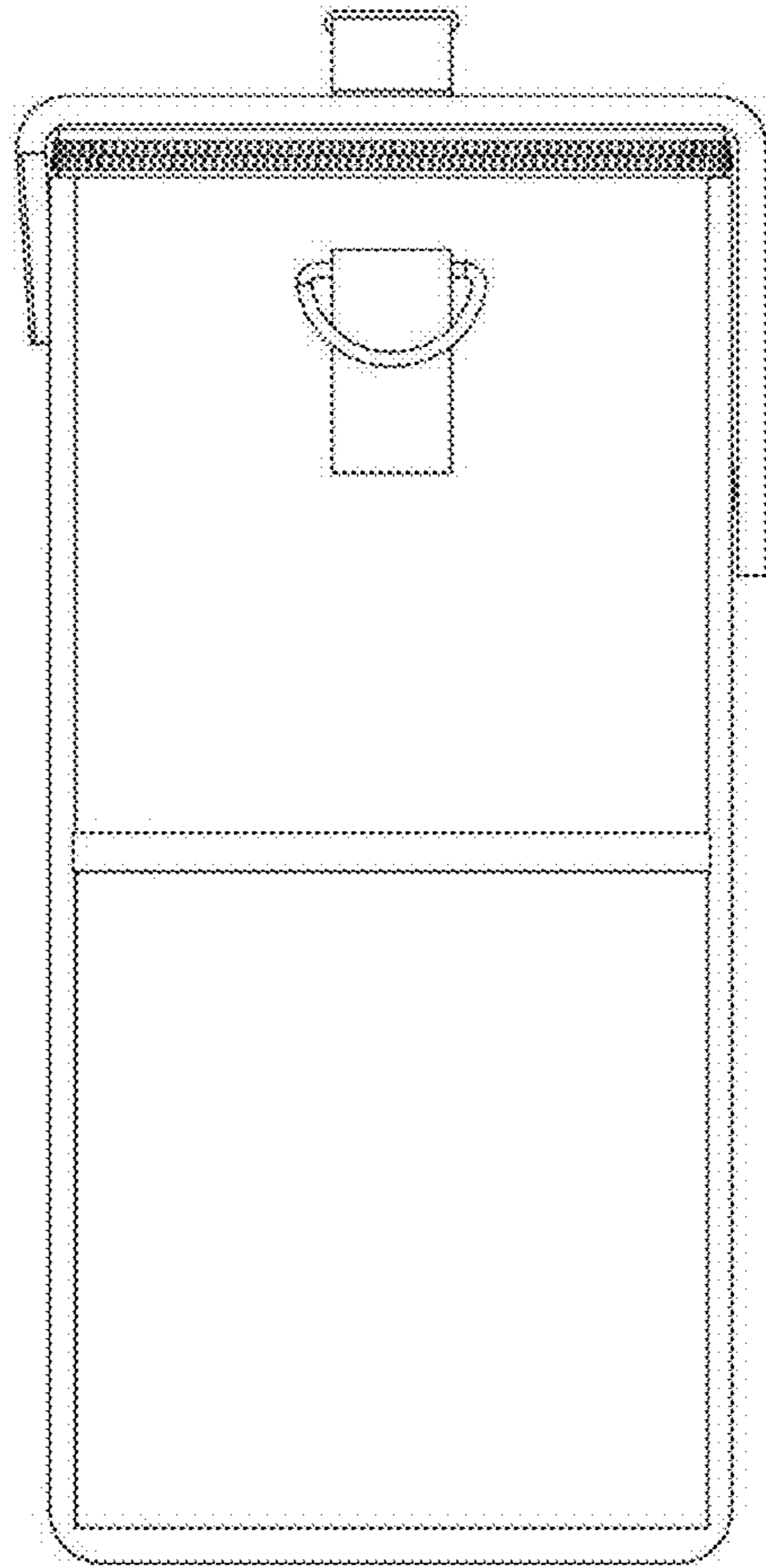


FIG. 5

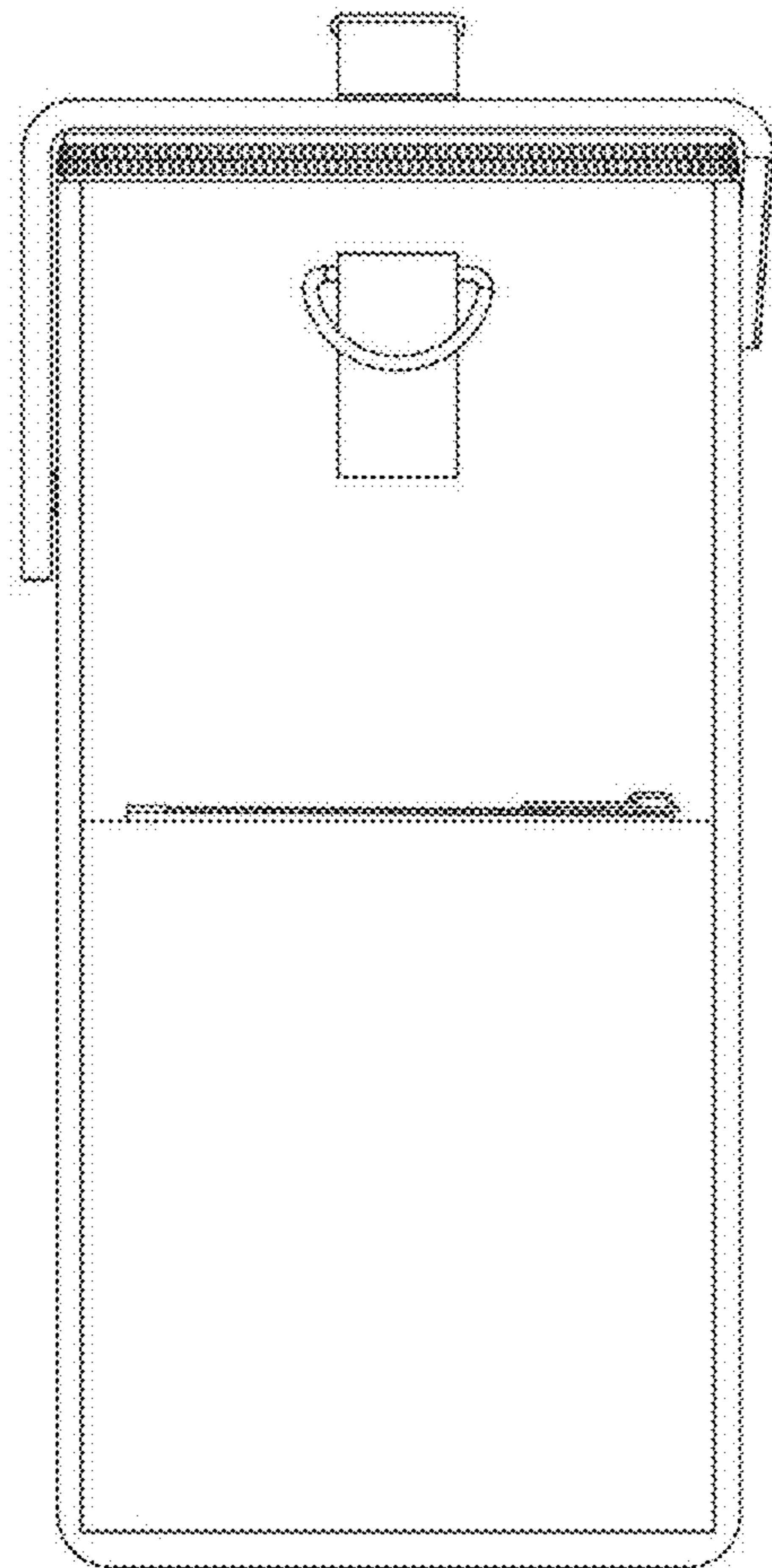


FIG. 6

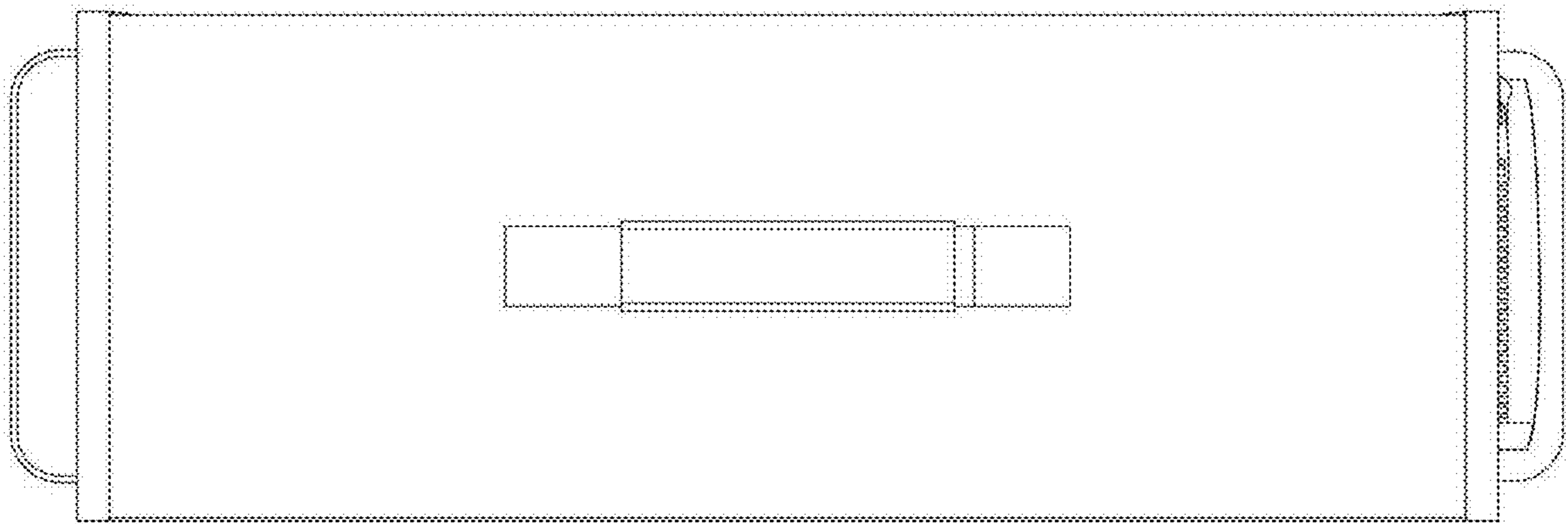


FIG. 7

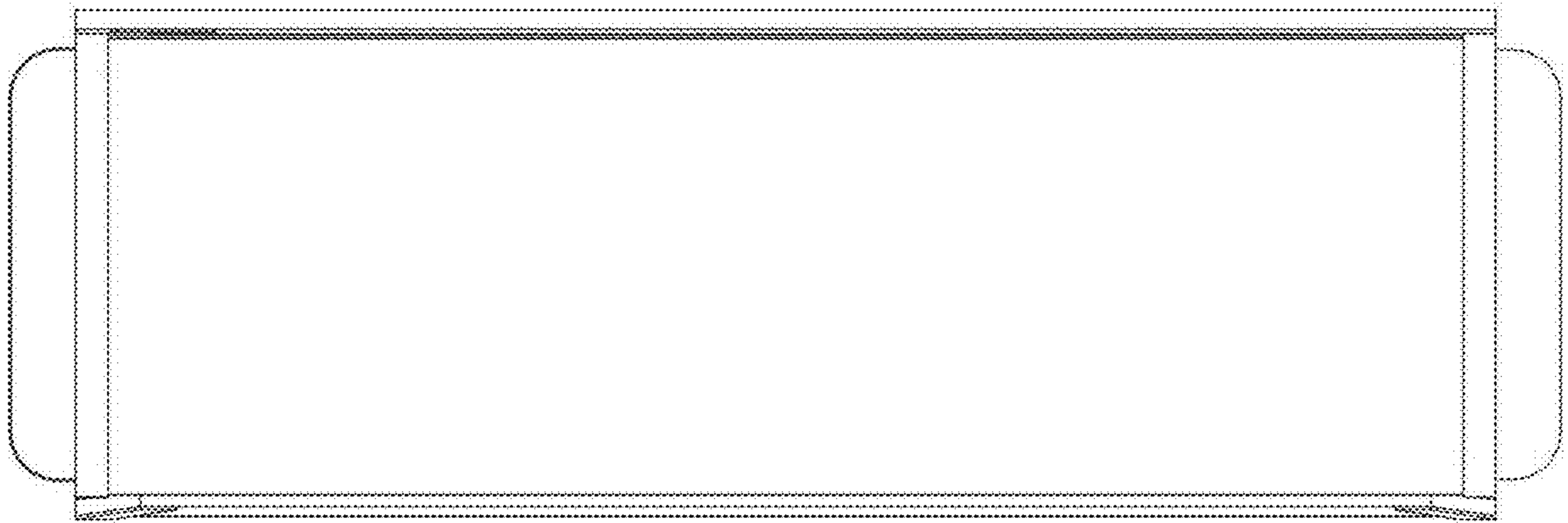


FIG. 8

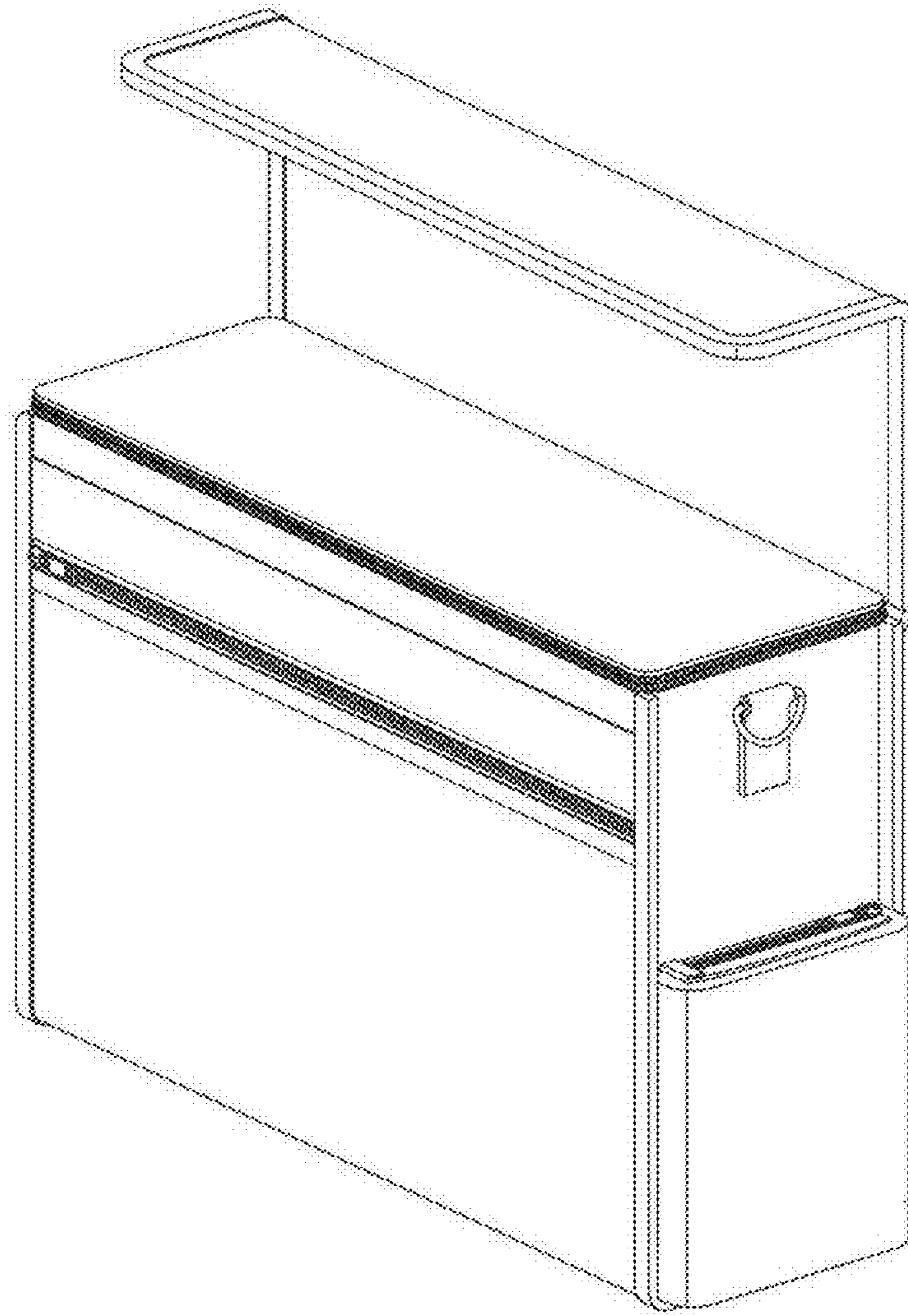


FIG. 9