



US00D869843S

(12) **United States Design Patent**
Zhou

(10) **Patent No.:** **US D869,843 S**

(45) **Date of Patent:** **** Dec. 17, 2019**

(54) **LEATHER PHONE CASE**

D812,904 S * 3/2018 Nair D3/243
D842,289 S * 3/2019 Feng D14/250
D856,671 S * 8/2019 Li D3/249

(71) Applicant: **Cornmi Industrial Technology Co., Ltd.**, City of Industry, CA (US)

* cited by examiner

(72) Inventor: **Wei Zhou**, City of Industry, CA (US)

Primary Examiner — Holly H Baynham

(73) Assignee: **Cornmi Industrial Technology Co., Ltd.**, City of Industry, CA (US)

(57) **CLAIM**

The ornamental design for a leather phone case, as shown and described.

(**) Term: **15 Years**

DESCRIPTION

(21) Appl. No.: **29/660,036**

(22) Filed: **Aug. 14, 2018**

(51) **LOC (12) Cl.** **03-01**

(52) **U.S. Cl.**
USPC **D3/249**

(58) **Field of Classification Search**
USPC D3/247, 249–253; D14/250
CPC A45C 1/06; A45C 3/08
See application file for complete search history.

FIG. 1 is a top, front and right side perspective view of a leather phone case showing my new design;
FIG. 2 is a front elevational view thereof;
FIG. 3 is a rear elevational view thereof;
FIG. 4 is a perspective view showing the leather phone case in a first alternative position;
FIG. 5 is a perspective view showing the leather phone case in a second alternative position;
FIG. 6 is a perspective view showing the leather phone case in a third alternative position; and,
FIG. 7 is a perspective view showing the leather phone case in a fourth alternative position.

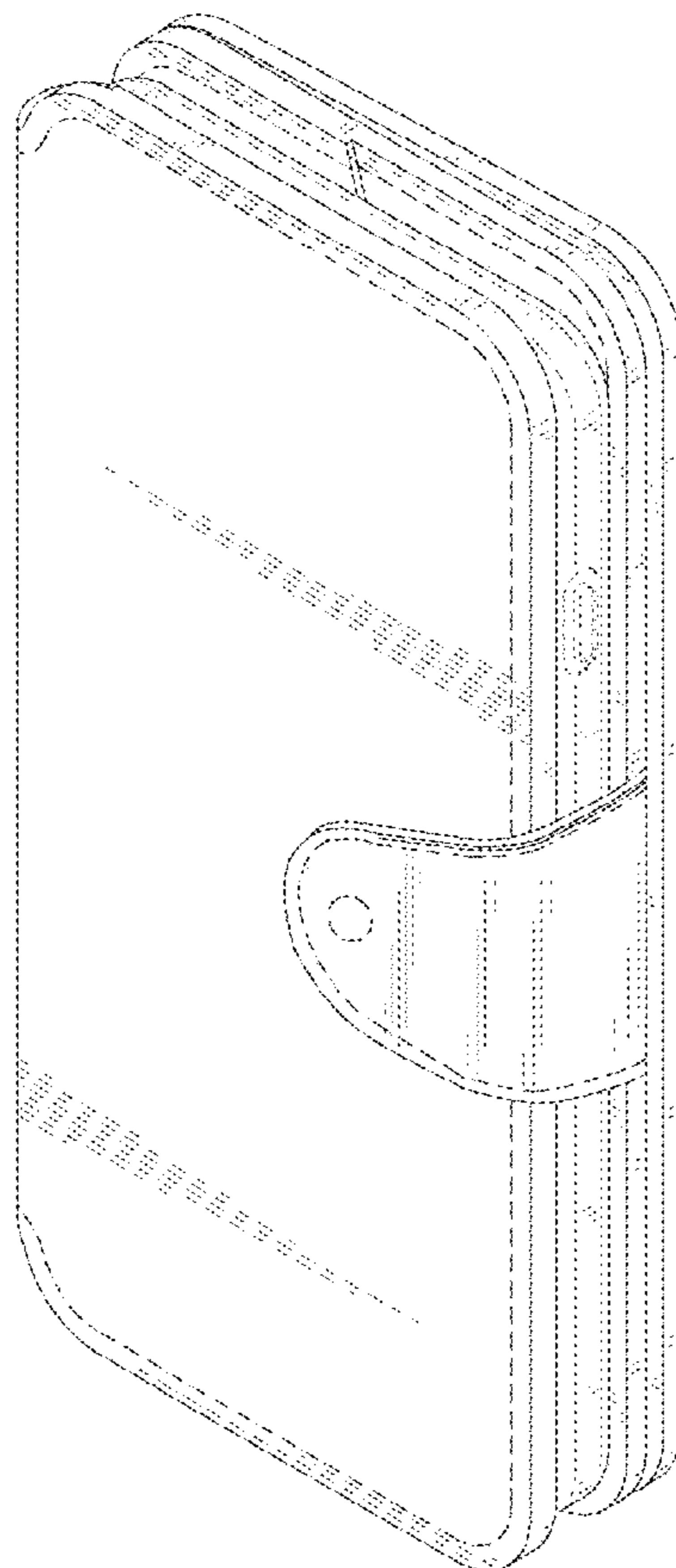
(56) **References Cited**

U.S. PATENT DOCUMENTS

D793,082 S * 8/2017 Zhang D3/249
D793,725 S * 8/2017 Zhang D3/249
D793,726 S * 8/2017 Zhang D3/249
D794,952 S * 8/2017 Feng D3/247

The broken lines in the drawings illustrate portions of the leather phone case which form no part of the claimed design. The oblique shade lines in FIG. 4, FIG. 5 and FIG. 7 represent reflective surfaces.

1 Claim, 7 Drawing Sheets



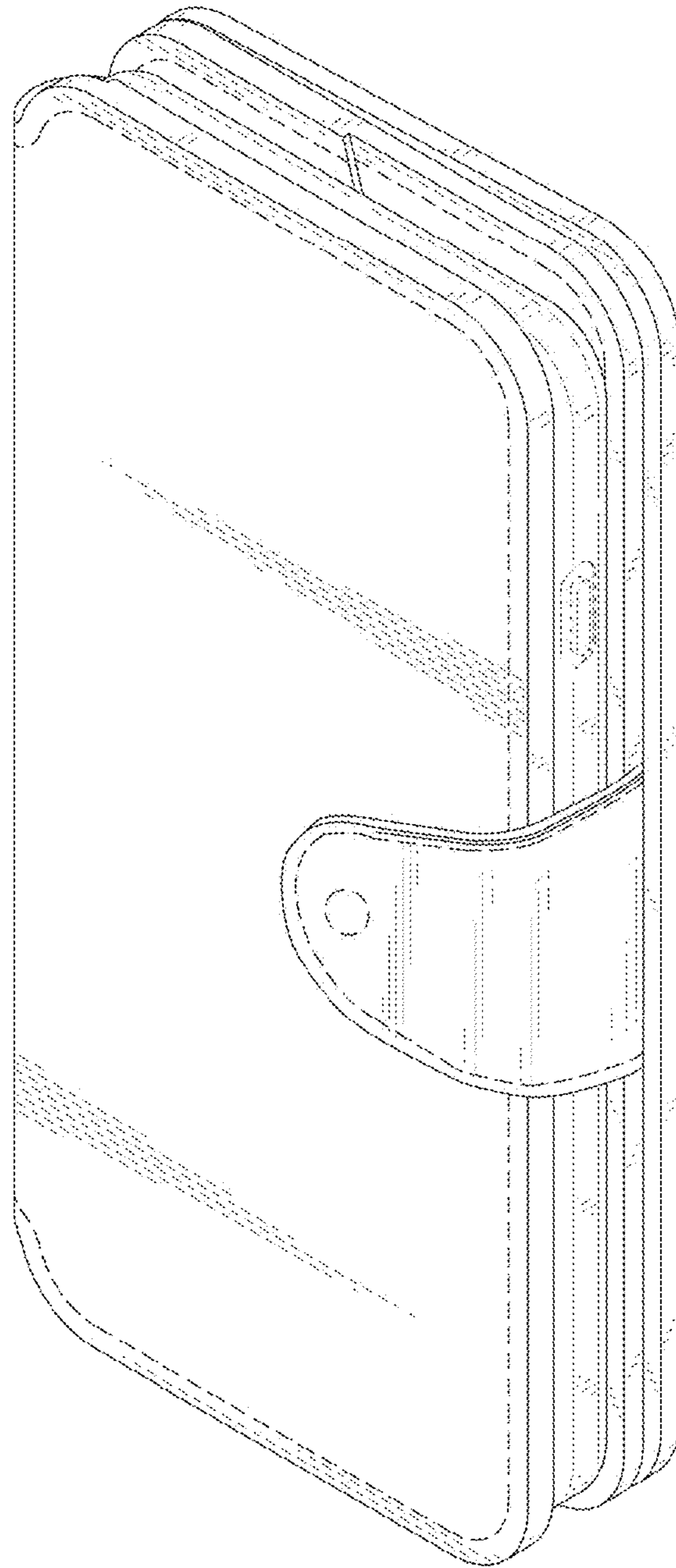


FIG. 1

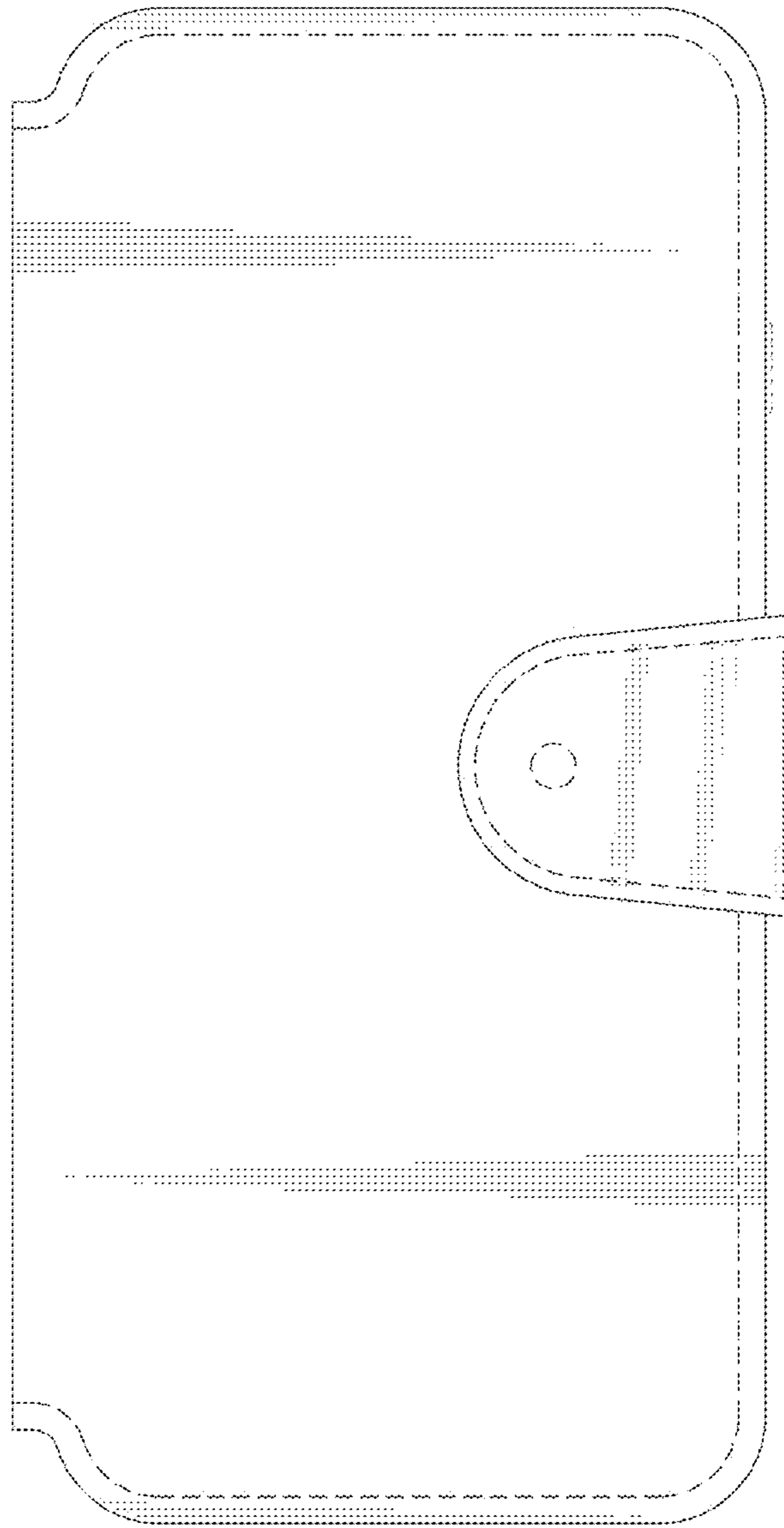


FIG. 2

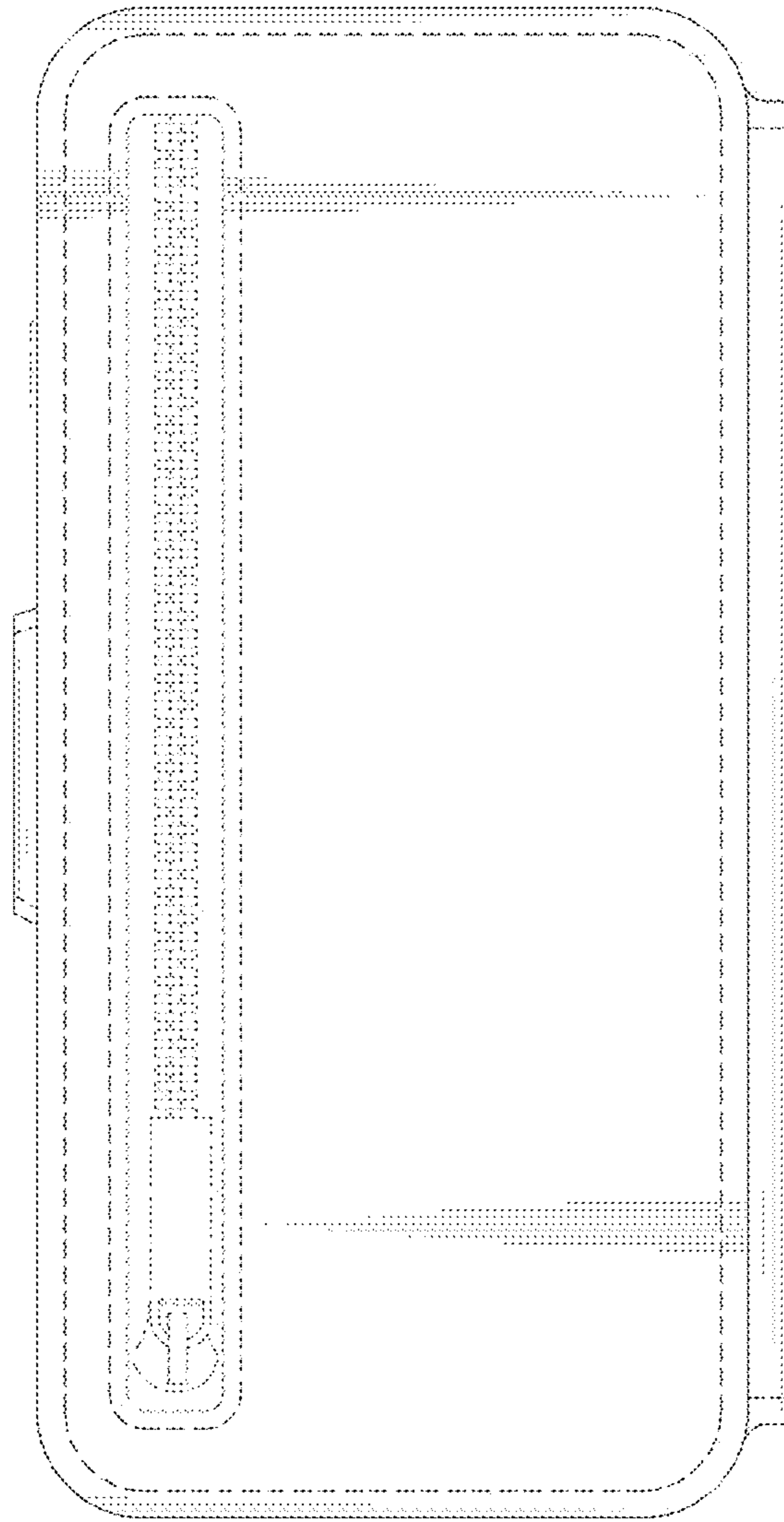


FIG. 3

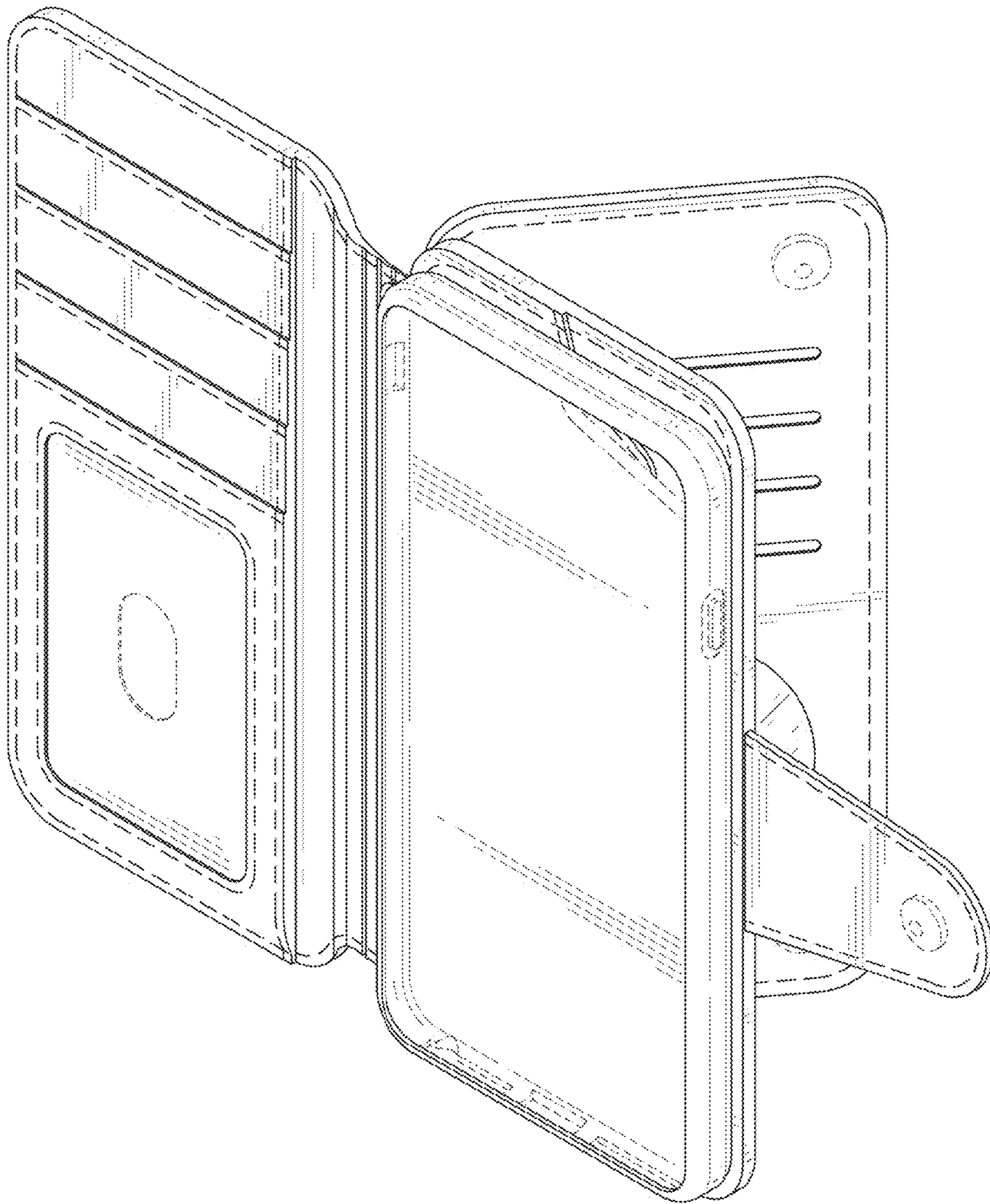


FIG. 4

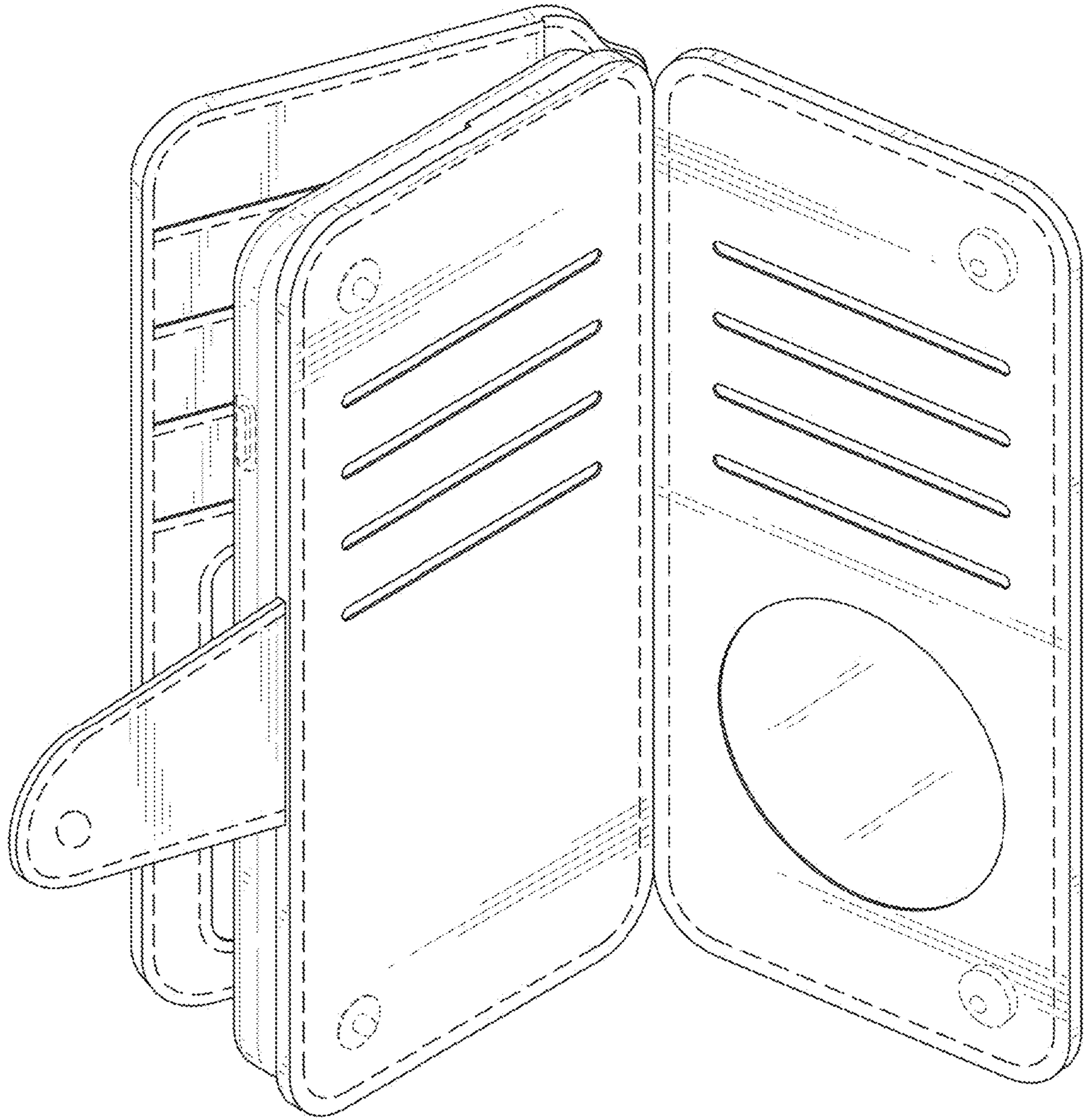


FIG. 5

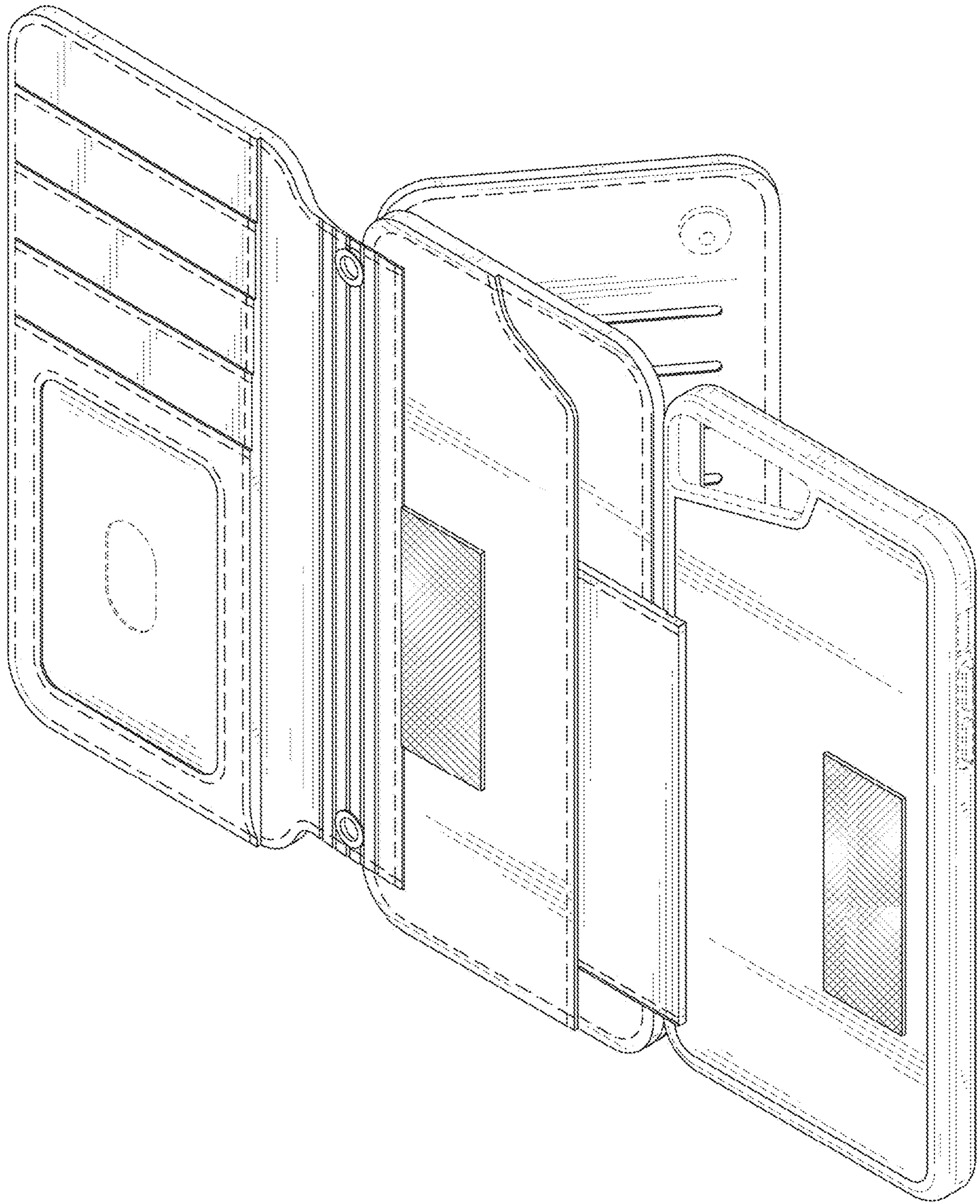


FIG. 6

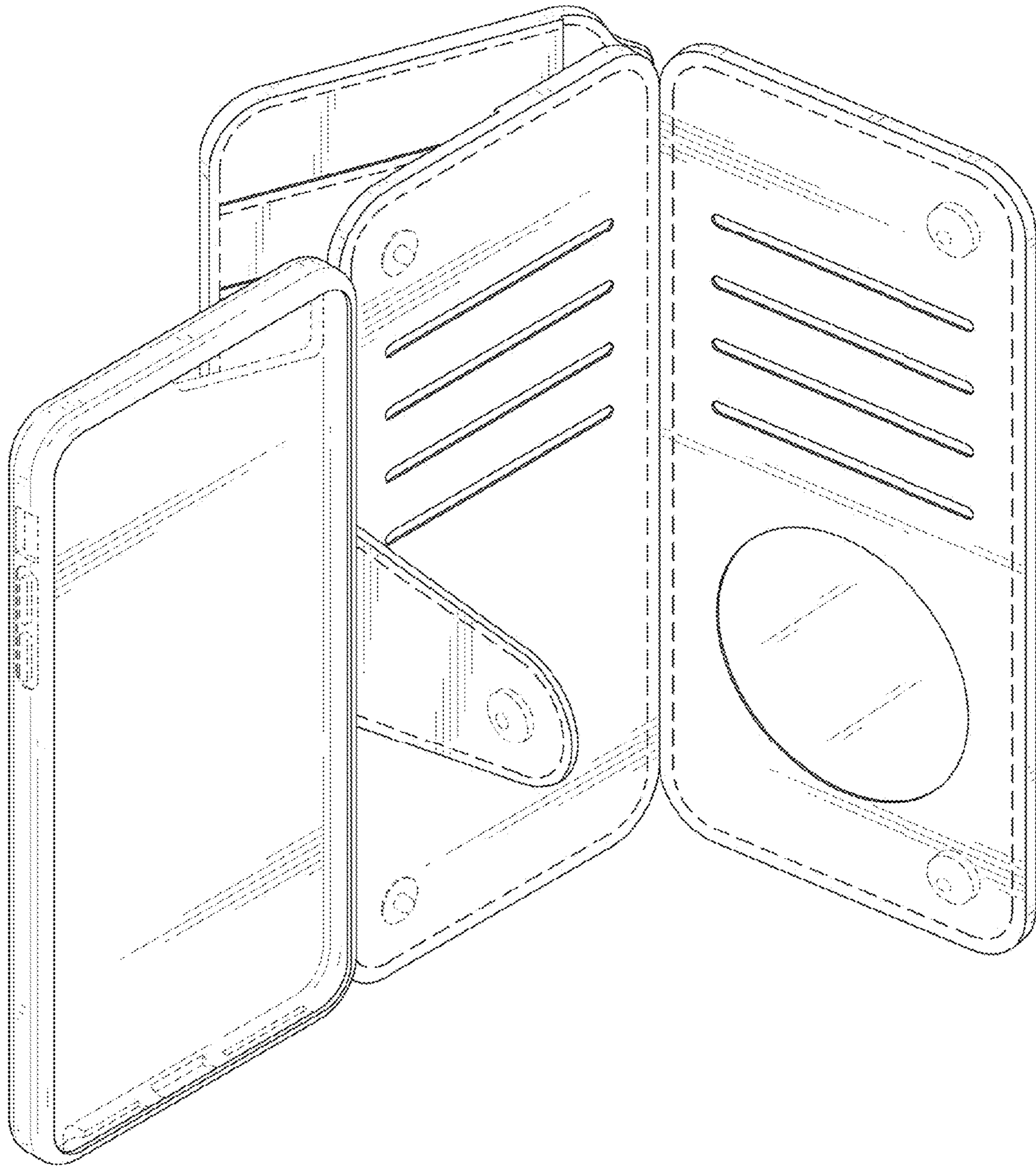


FIG. 7