

US00D869842S

(12) **United States Design Patent** (10) **Patent No.:** **US D869,842 S**  
**Réard** (45) **Date of Patent:** **\*\* Dec. 17, 2019**

(54) **HANDBAG**  
(71) Applicant: **MOSINAC LIMITED**, Central (HK)  
(72) Inventor: **Jonathan Paul-Henri C. Réard**,  
Tongerren (BE)  
(73) Assignee: **MOSINAC LIMITED**, Hong Kong  
(HK)  
(\*\*) Term: **15 Years**  
(21) Appl. No.: **29/677,502**  
(22) Filed: **Jan. 22, 2019**  
(51) **LOC (12) Cl.** ..... **03-01**  
(52) **U.S. Cl.**  
USPC ..... **D3/245**  
(58) **Field of Classification Search**  
USPC ..... D3/232–233, 240–243, 245–246  
CPC ..... A45C 1/024; A45C 3/06  
See application file for complete search history.

D821,744 S \* 7/2018 Armani ..... D3/232  
D834,816 S \* 12/2018 Spaziani ..... D3/246  
2003/0229962 A1 12/2003 DeHart

\* cited by examiner

*Primary Examiner* — Holly H Baynham  
(74) *Attorney, Agent, or Firm* — Mitchell Law PLLC;  
Matthew W. Mitchell

(57) **CLAIM**

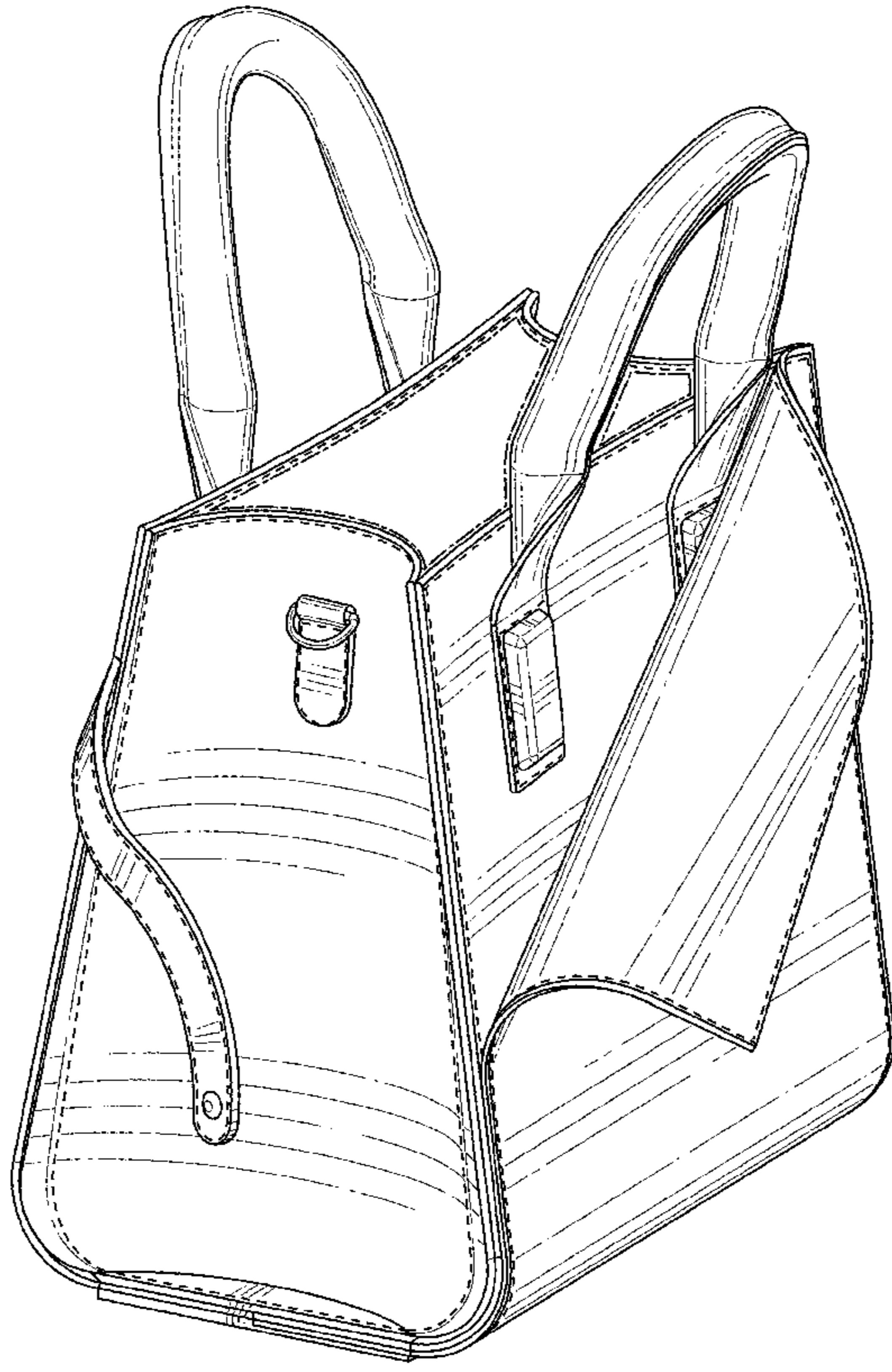
The ornamental design for a handbag, as shown and described.

**DESCRIPTION**

FIG. 1 is a front isometric view of the handbag of the present invention;  
FIG. 2 is second isometric view thereof;  
FIG. 3 is bottom isometric view thereof;  
FIG. 4 is a rear view thereof;  
FIG. 5 is a front view thereof;  
FIG. 6 is a right-side view thereof;  
FIG. 7 is a left-side view thereof;  
FIG. 8 is a top plan view thereof; and,  
FIG. 9 is a bottom plan view thereof.  
The broken lines shown represent stitching and form part of the claimed design. The dot-dashed broken lines represent boundaries to disclaim the interior of the handbag.

(56) **References Cited**  
U.S. PATENT DOCUMENTS  
4,143,792 A 3/1979 Rex  
5,960,513 A 10/1999 Beshah  
6,036,388 A 3/2000 Atcher  
6,135,276 A 10/2000 French  
D460,622 S \* 7/2002 Wong ..... D3/232  
D750,372 S \* 3/2016 Slimane ..... D3/232

**1 Claim, 9 Drawing Sheets**



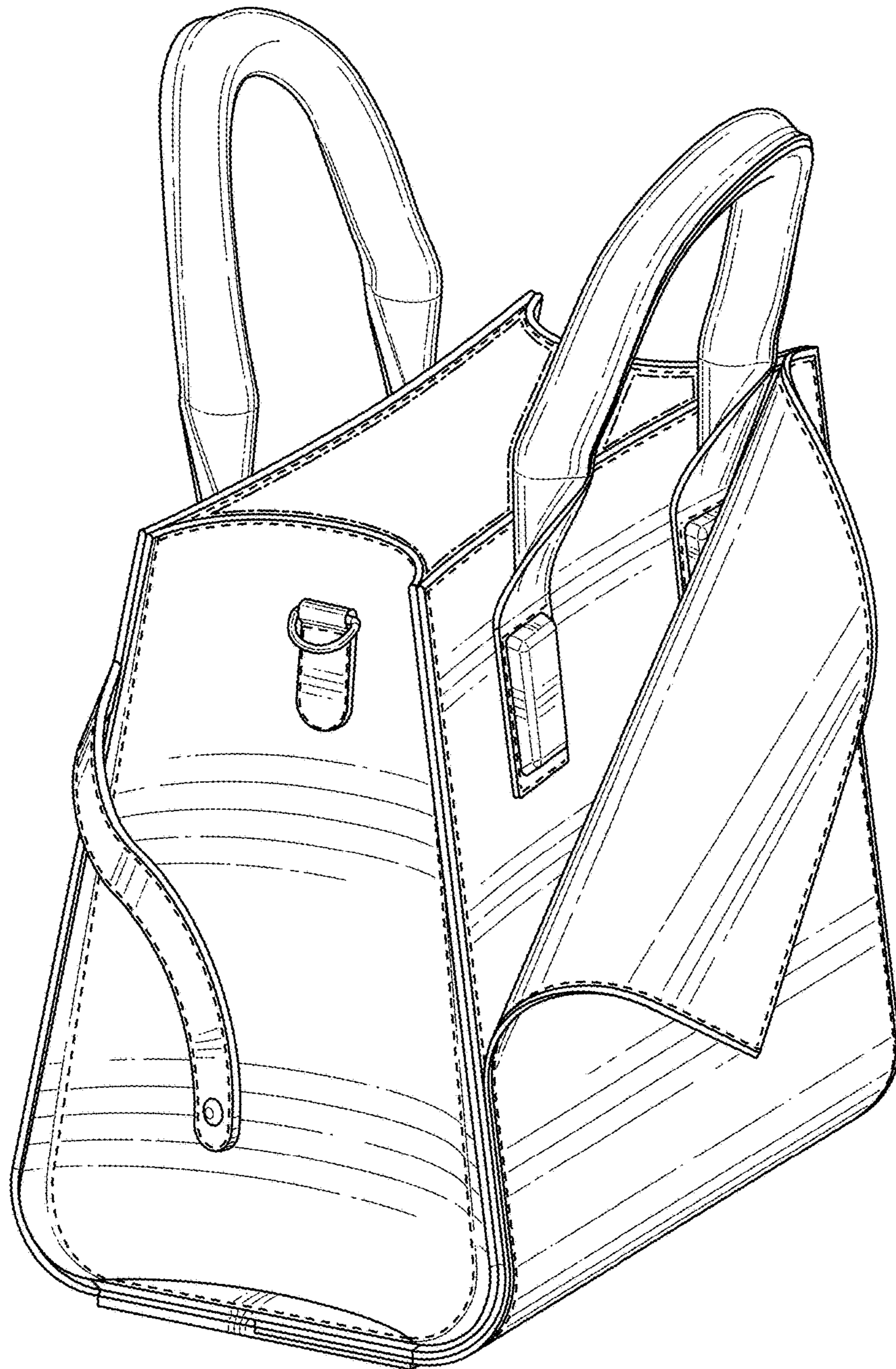


FIG. 1

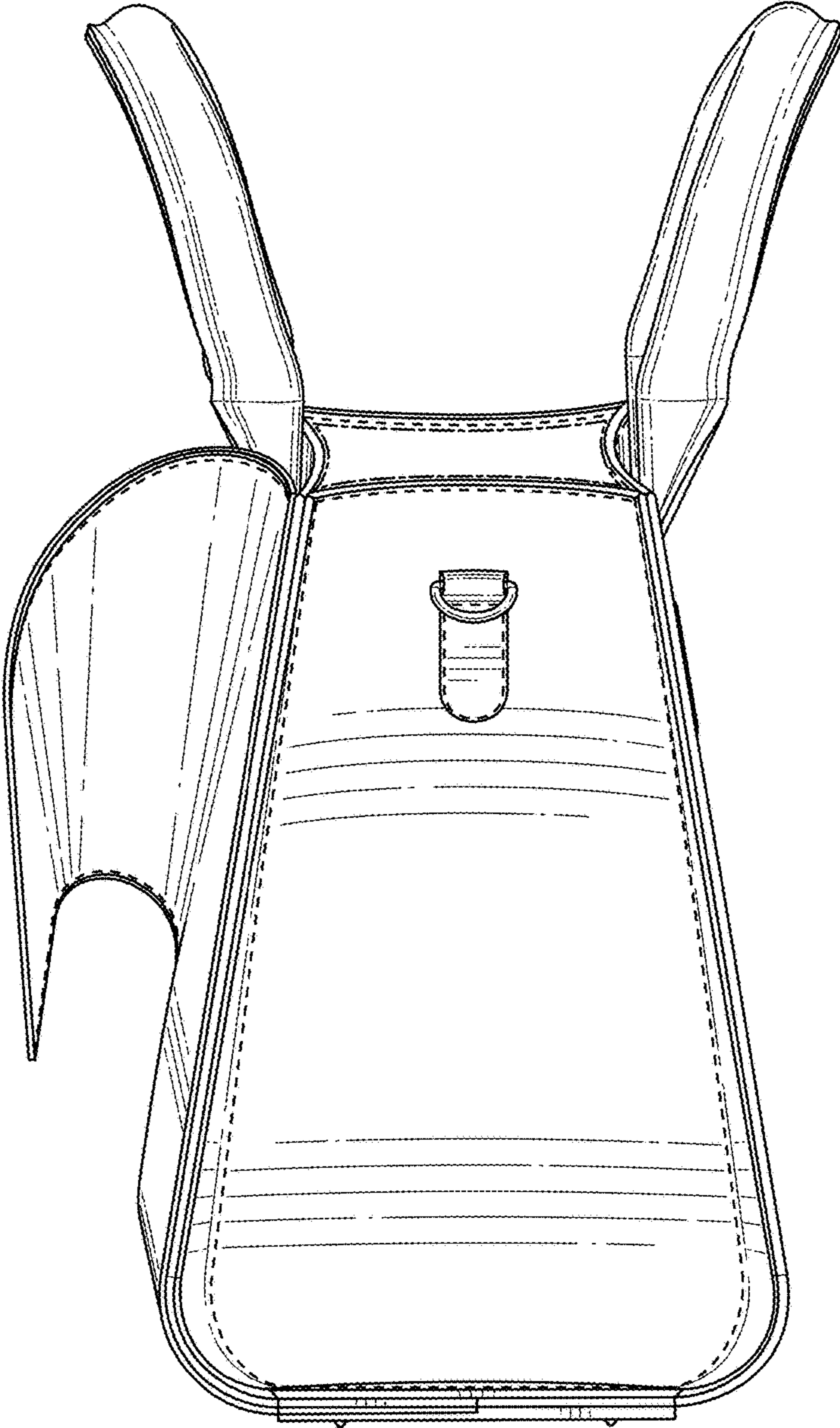


FIG. 2

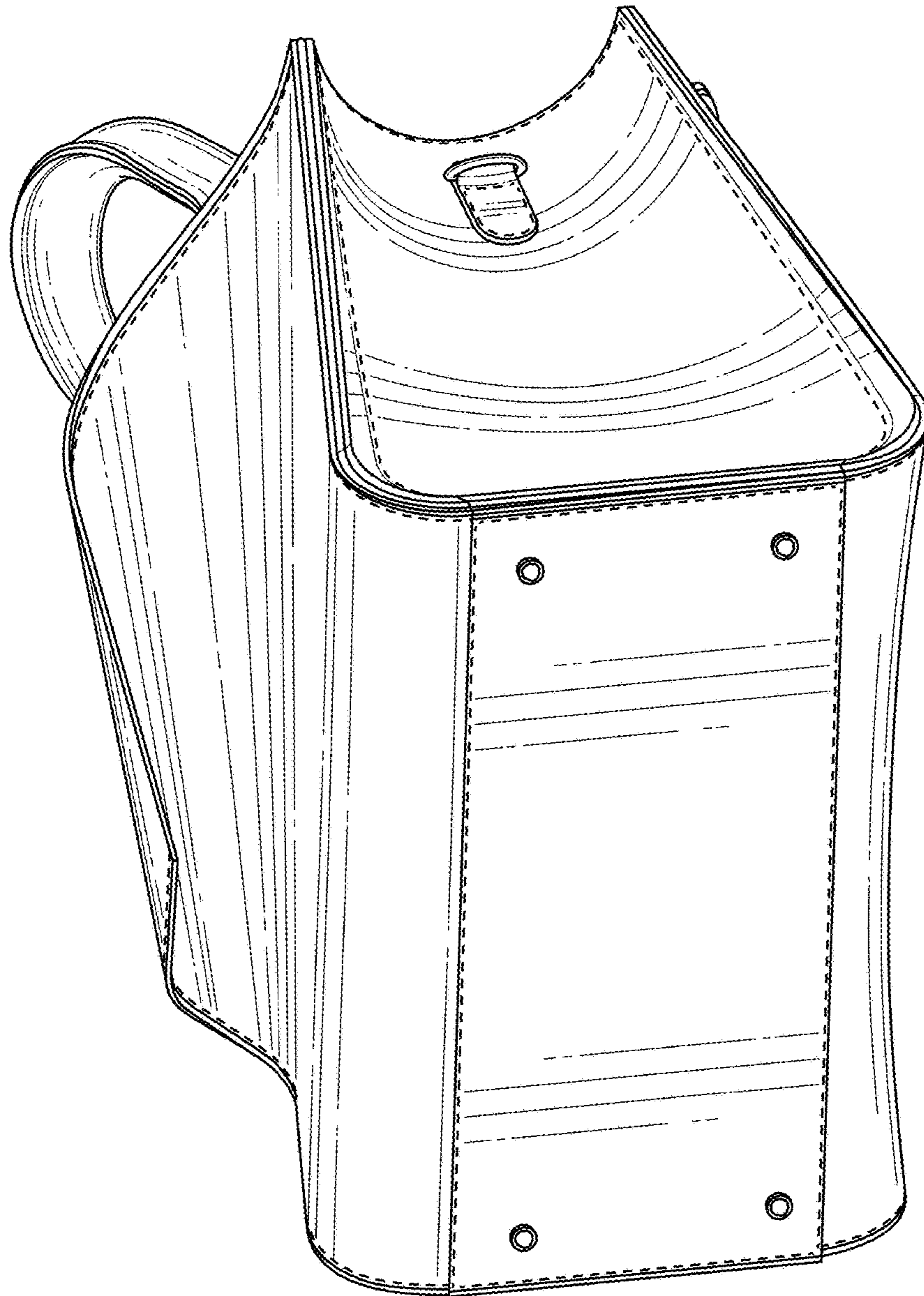


FIG. 3

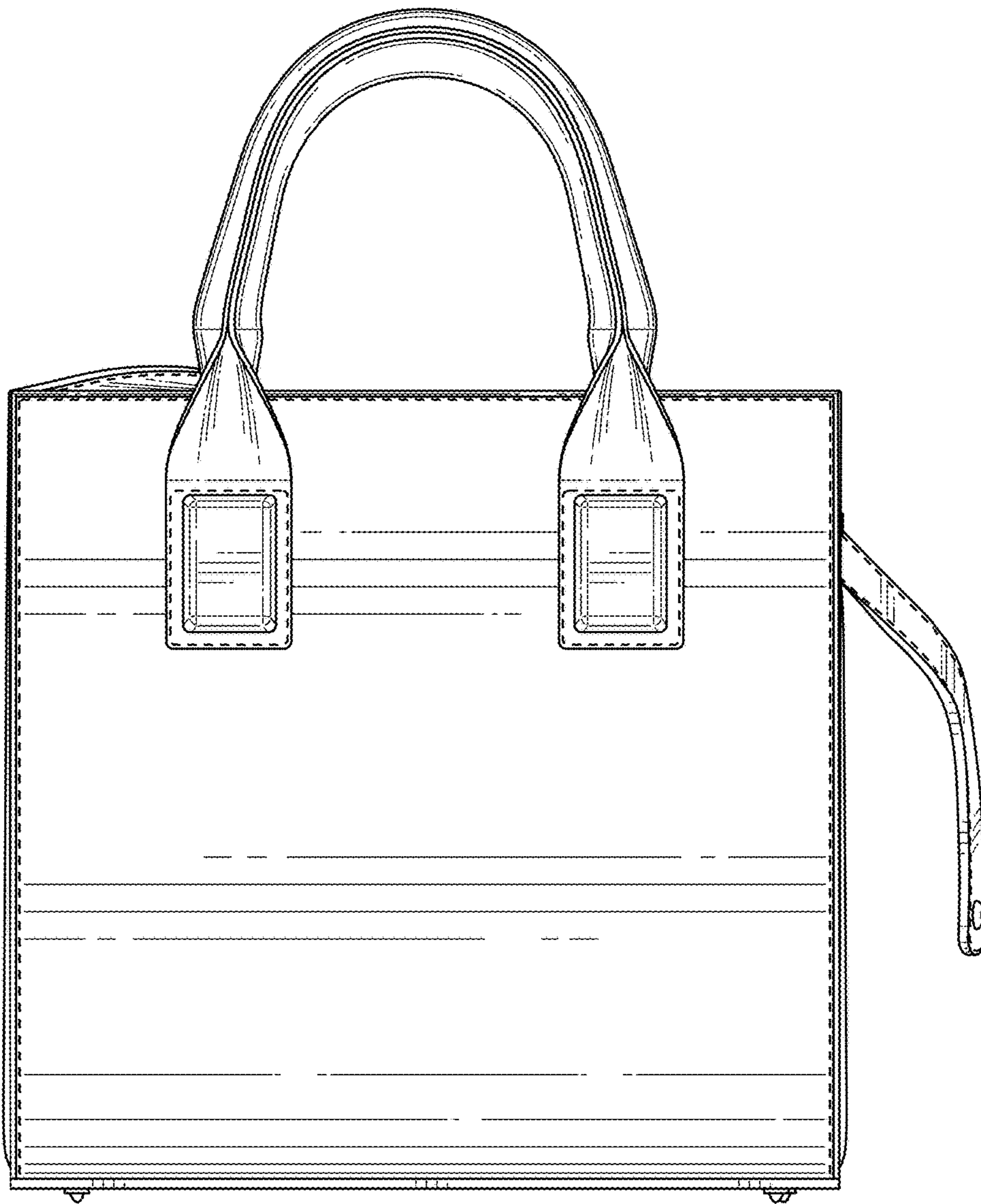


FIG. 4



FIG. 5

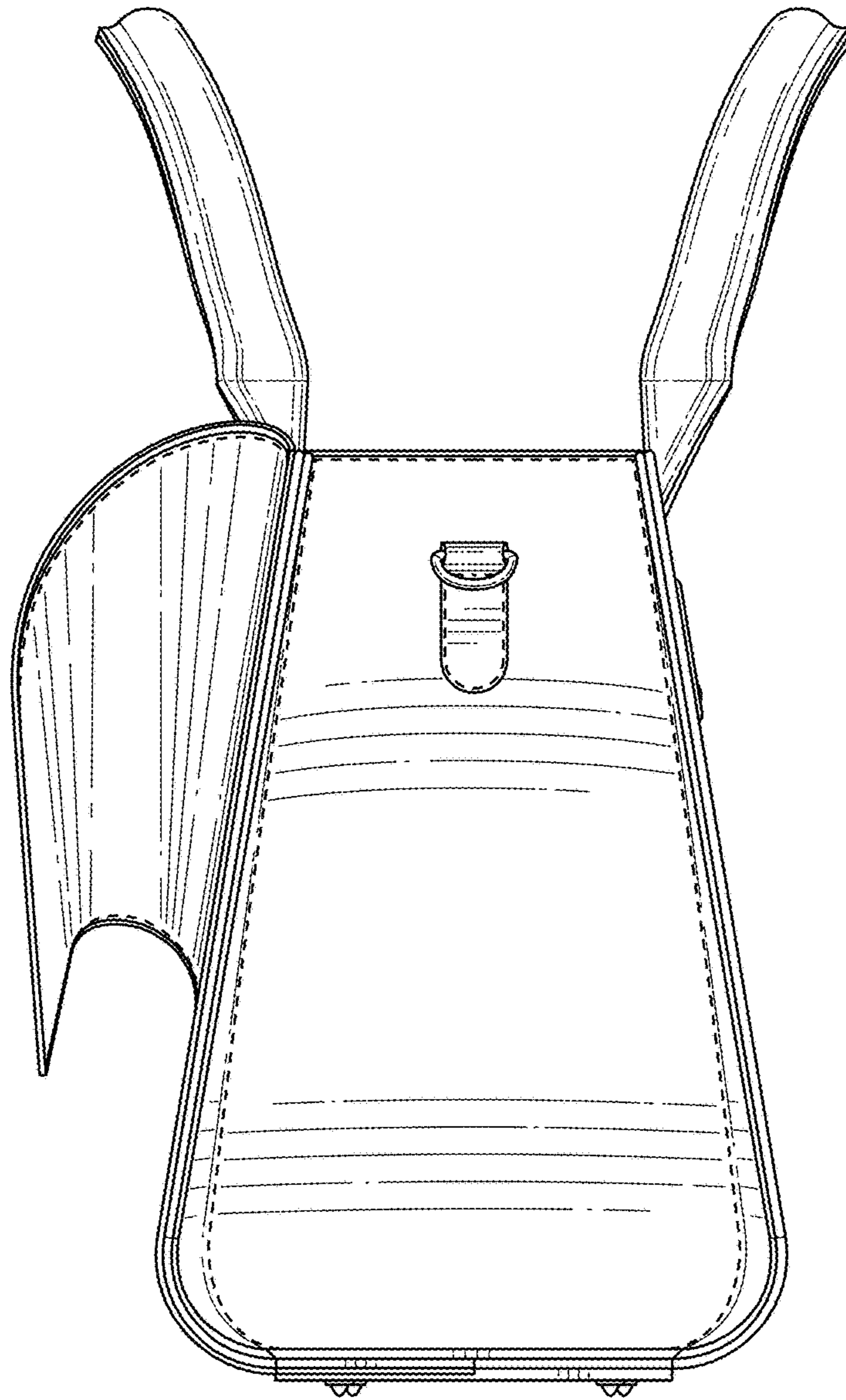


FIG. 6

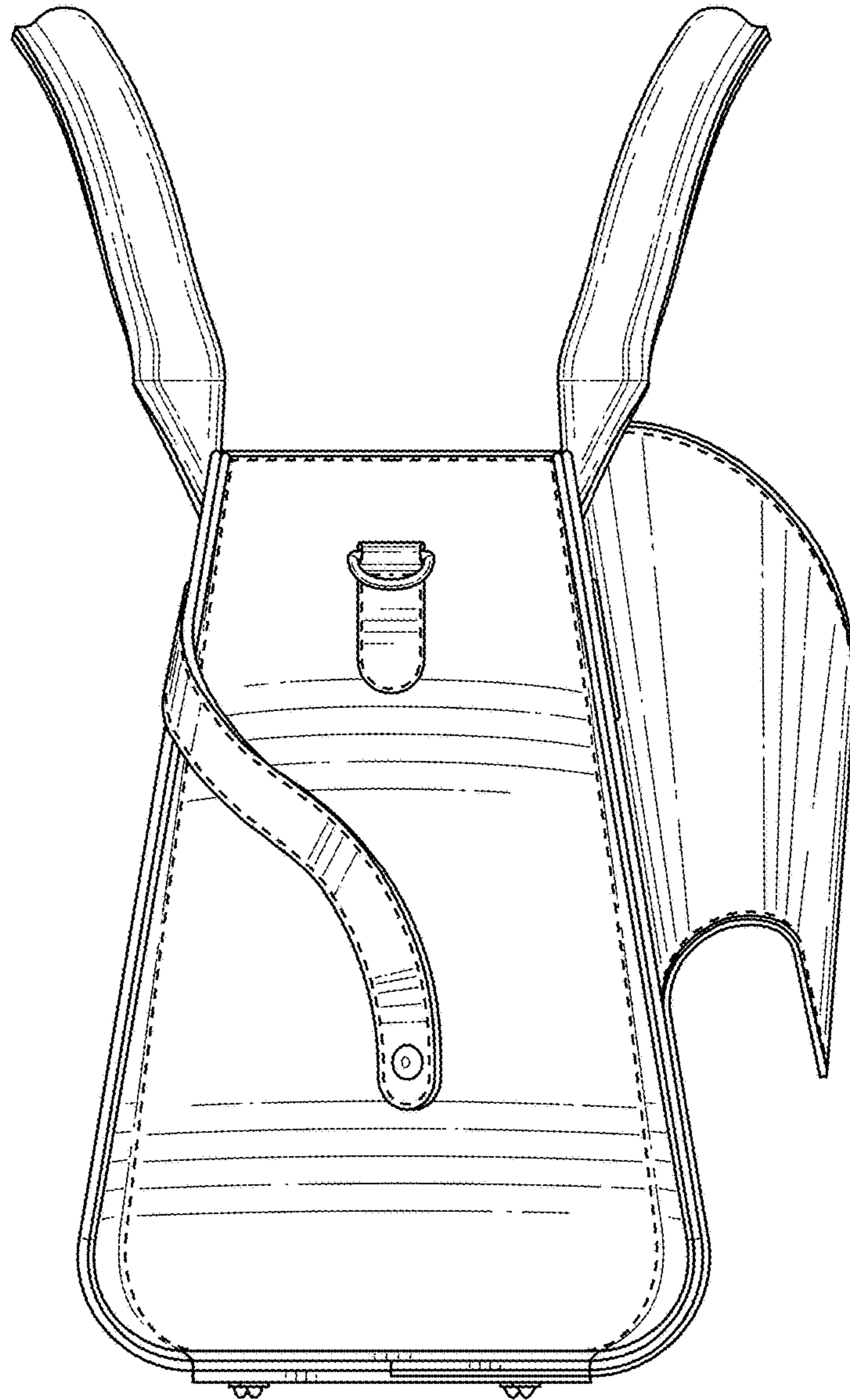


FIG. 7



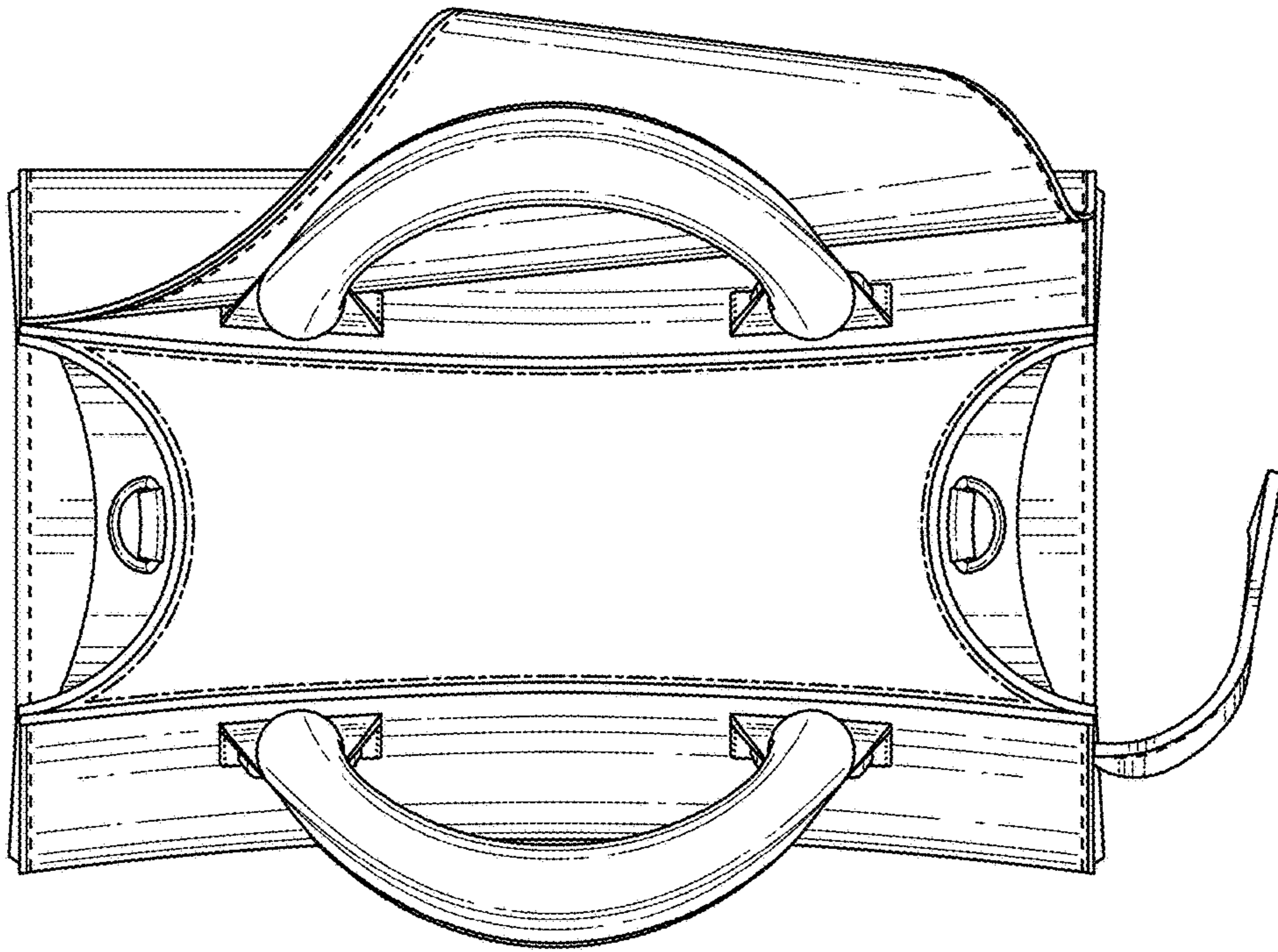


FIG. 8

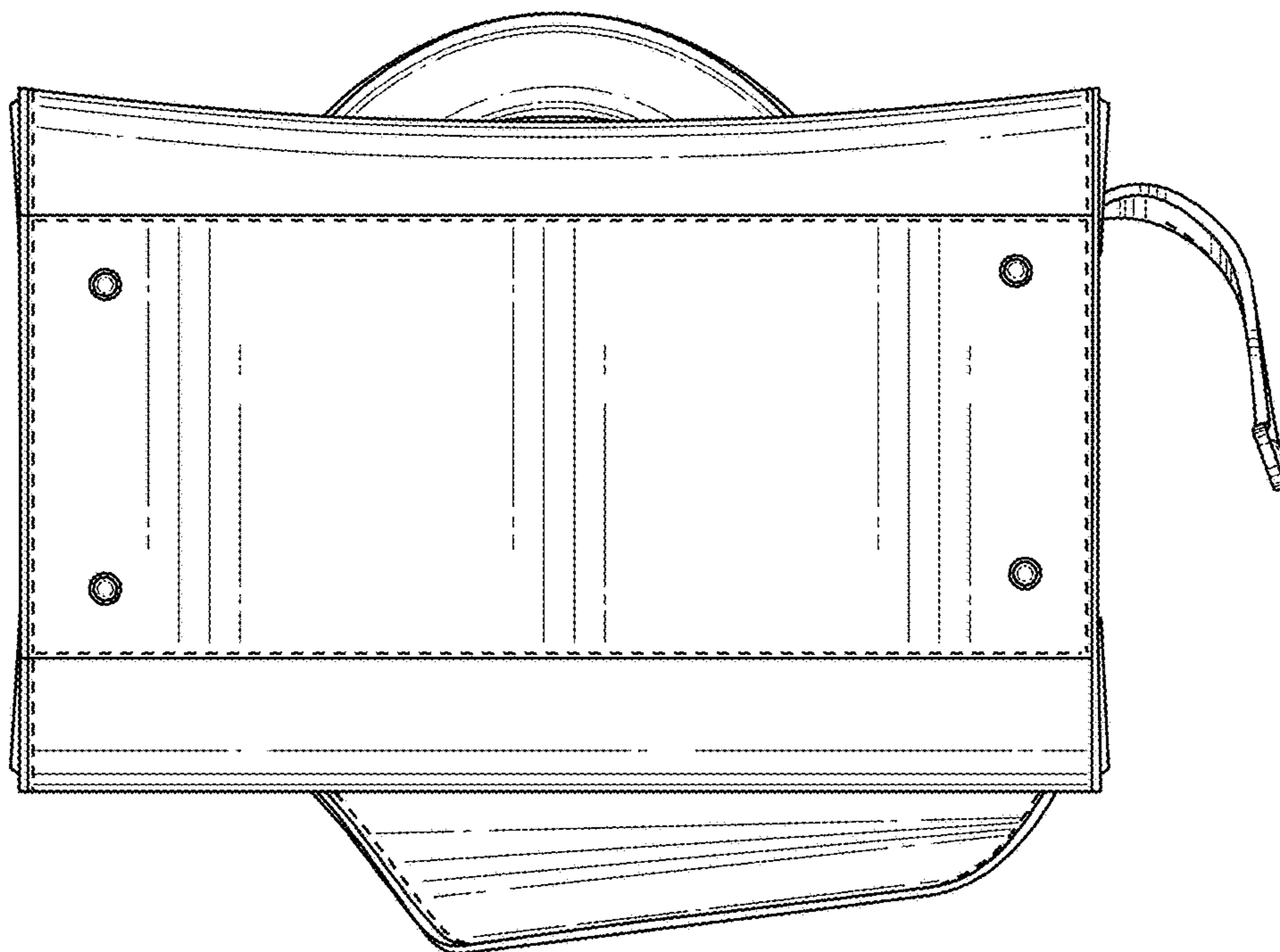


FIG. 9