

US00D869841S

(12) **United States Design Patent** (10) **Patent No.:** **US D869,841 S**
Zeller (45) **Date of Patent:** **** Dec. 17, 2019**

(54) **HANDBAG WITH HINGED FRAME**

(71) Applicant: **Delvaux Createur SA**, Brussels (BE)

(72) Inventor: **Christina Zeller**, Brussels (BE)

(73) Assignee: **Delvaux Createur SA**, Brussels (BE)

(**) Term: **15 Years**

(21) Appl. No.: **29/662,011**

(22) Filed: **Aug. 31, 2018**

(30) **Foreign Application Priority Data**

Mar. 1, 2018 (EM) 004733749

(51) **LOC (12) Cl.** **03-01**

(52) **U.S. Cl.**
USPC **D3/243**

(58) **Field of Classification Search**
USPC D3/232-233, 240-243, 245-246
CPC A45C 1/024; A45C 3/06
See application file for complete search history.

(56) **References Cited**

U.S. PATENT DOCUMENTS

D798,587 S * 10/2017 Heyman D3/232
D798,588 S * 10/2017 Heyman D3/232

OTHER PUBLICATIONS

“Delvaux Brillant 101: Everything You Need To Know About This Bag,” BagaholicBoy, Jul. 4, 2016. 9 pages.

* cited by examiner

Primary Examiner — Holly H Baynham
(74) *Attorney, Agent, or Firm* — Weaver Austin Villeneuve & Sampson LLP

(57) **CLAIM**

What is claimed is a handbag with hinged frame, as shown and described.

DESCRIPTION

FIG. 1 is a front view of a handbag with a hinged frame. FIG. 2 is a rear view of the handbag with hinged frame of FIG. 1. FIG. 3 is a left side view of the handbag with hinged frame of FIG. 1. FIG. 4 is a right side view of the handbag with hinged frame of FIG. 1. FIG. 5 is a top view of the handbag with hinged frame of FIG. 1. FIG. 6 is a bottom view of the handbag with hinged frame of FIG. 1. FIG. 7 is a perspective view of the handbag with hinged frame of FIG. 1 in a semi-open/unlatched state; and, FIG. 8 is a right side view of the handbag with hinged frame of FIG. 1 in a semi-open/unlatched state. Embodiments of a handbag with a hinged frame are depicted. For clarity, the black-and-white line drawing embodiments are not intended to convey color or material texture. The broken lines showing stitching are part of the claimed design.

1 Claim, 7 Drawing Sheets

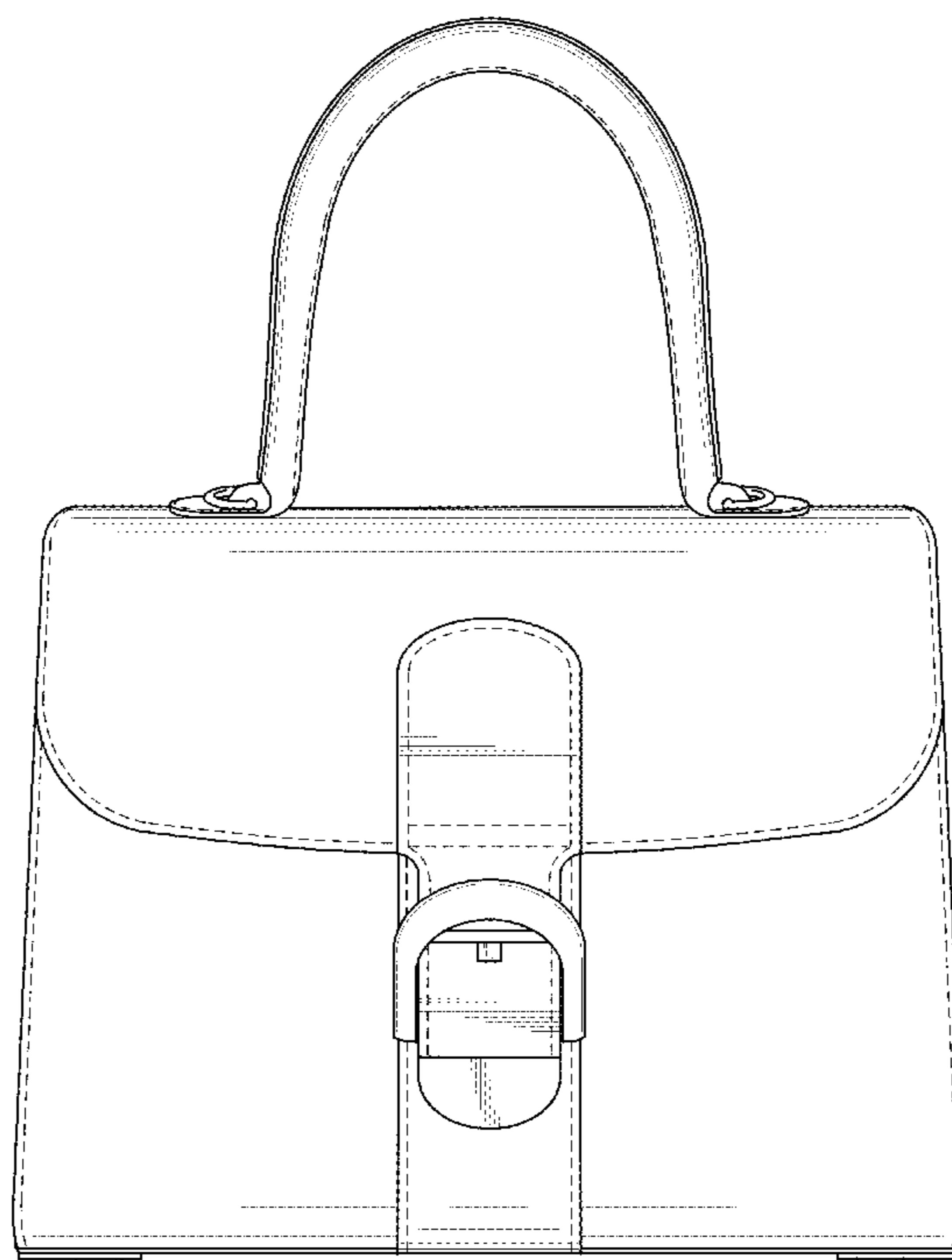




Figure 1



Figure 2

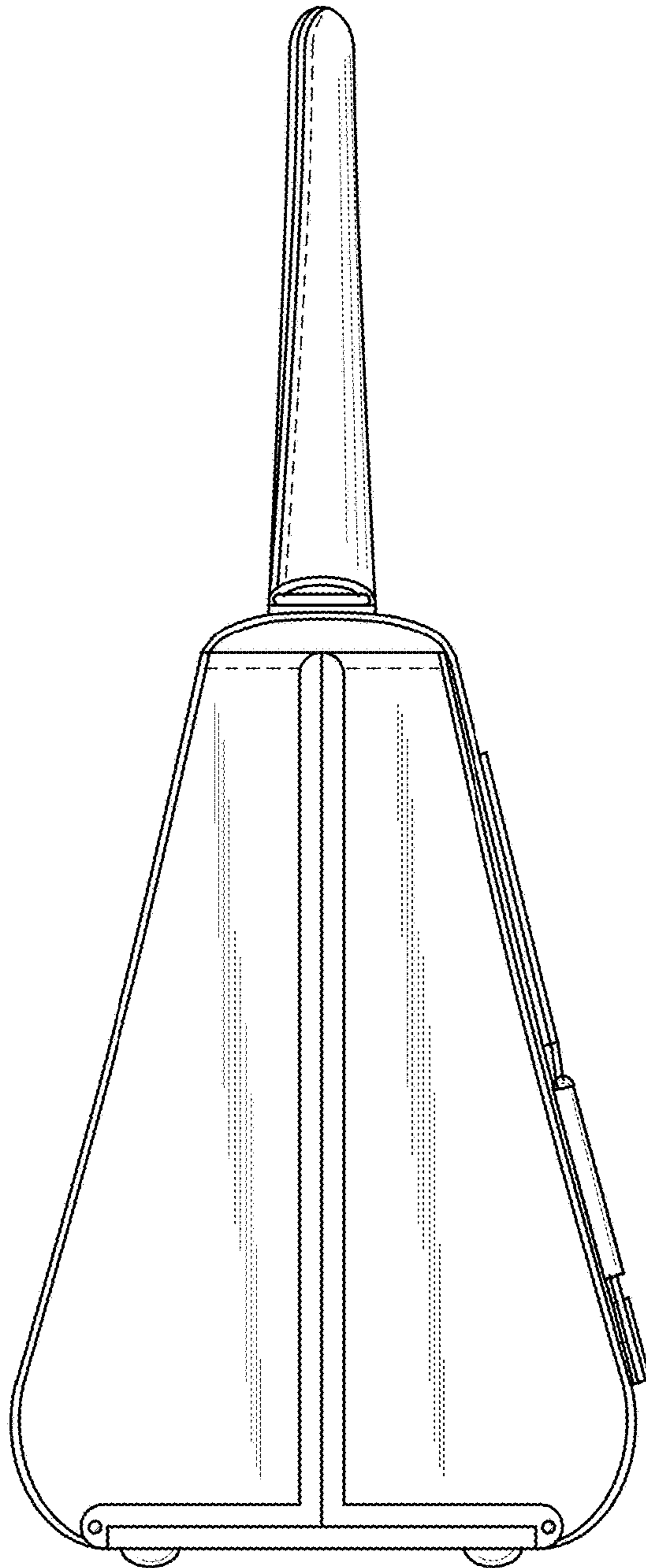


Figure 3

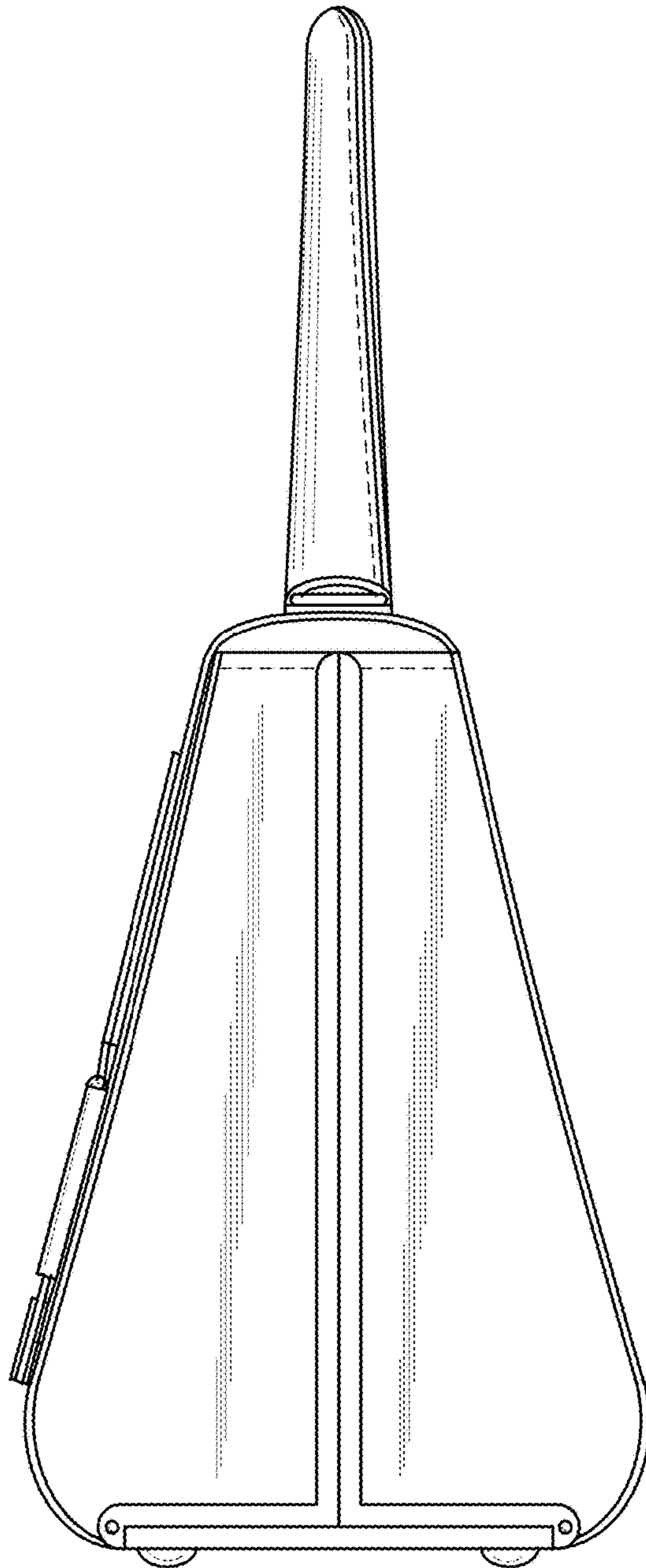


Figure 4

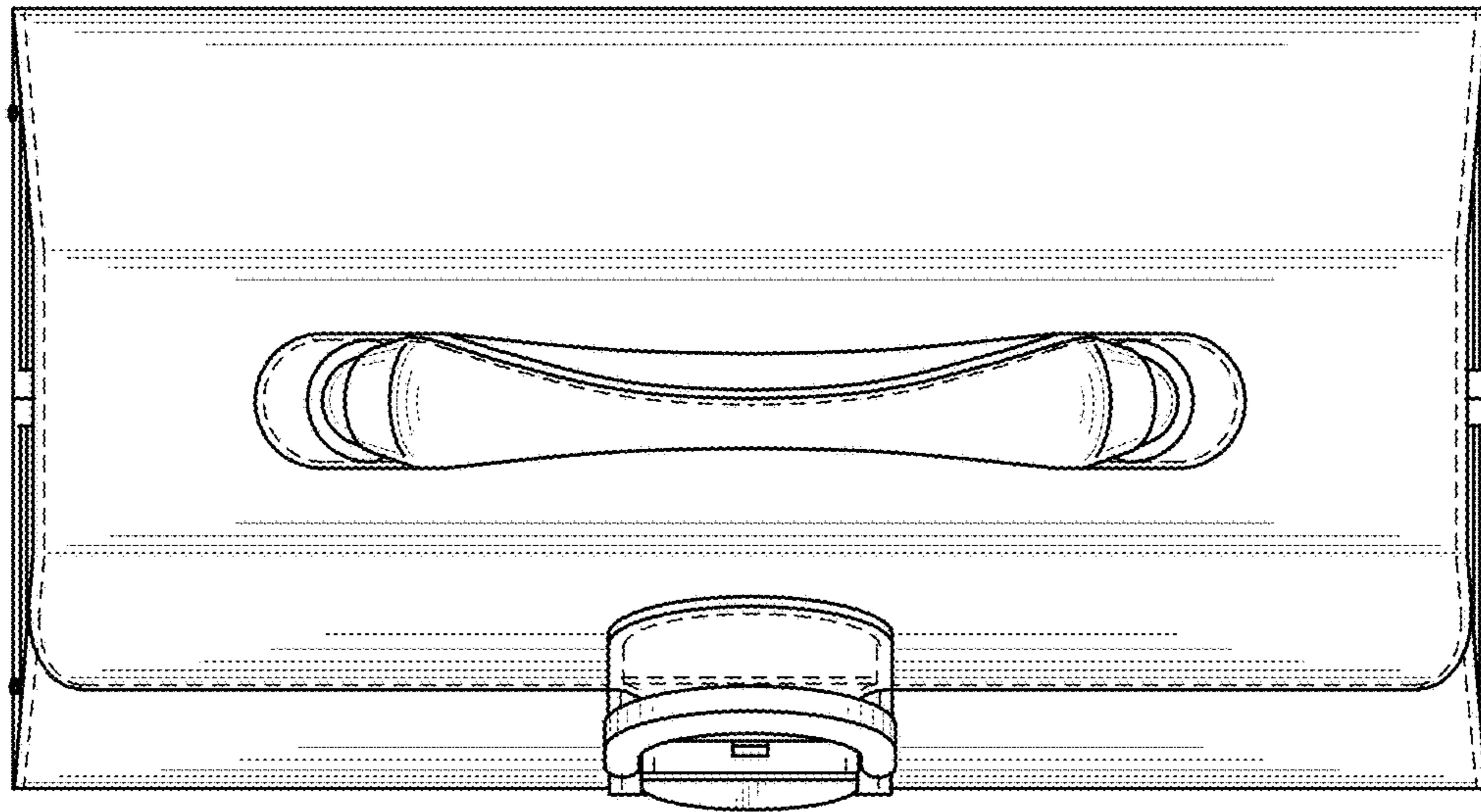


Figure 5

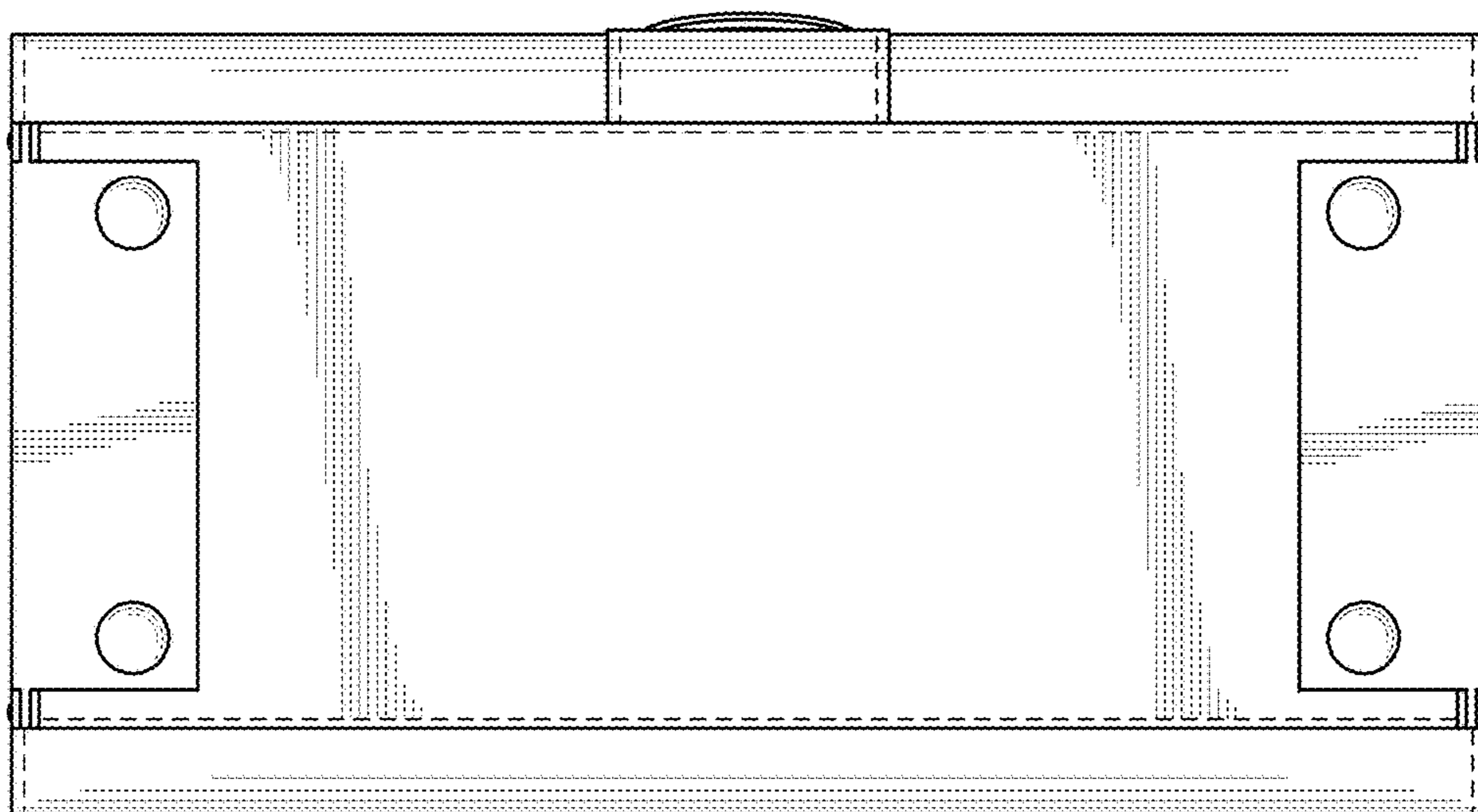


Figure 6

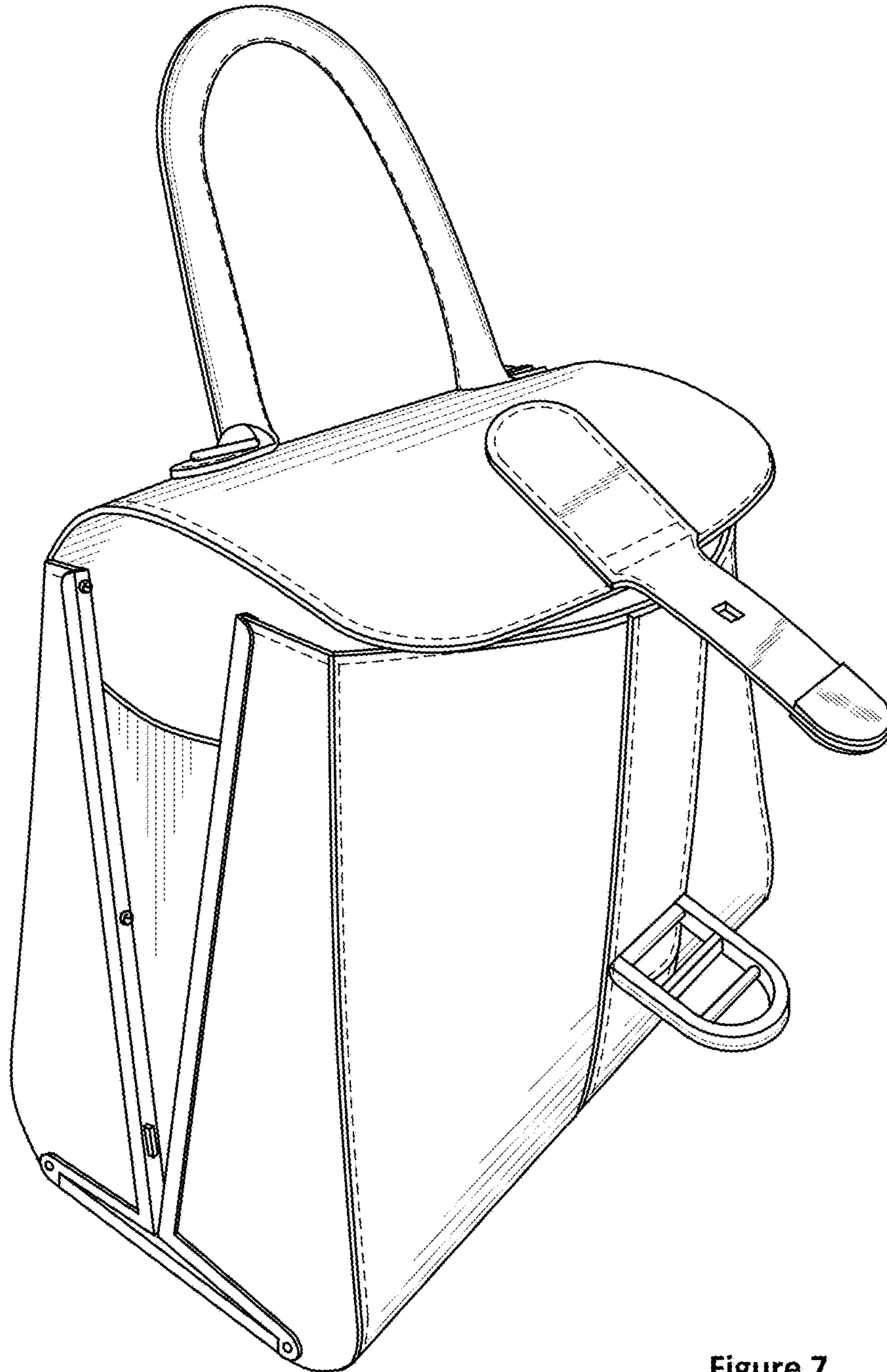


Figure 7

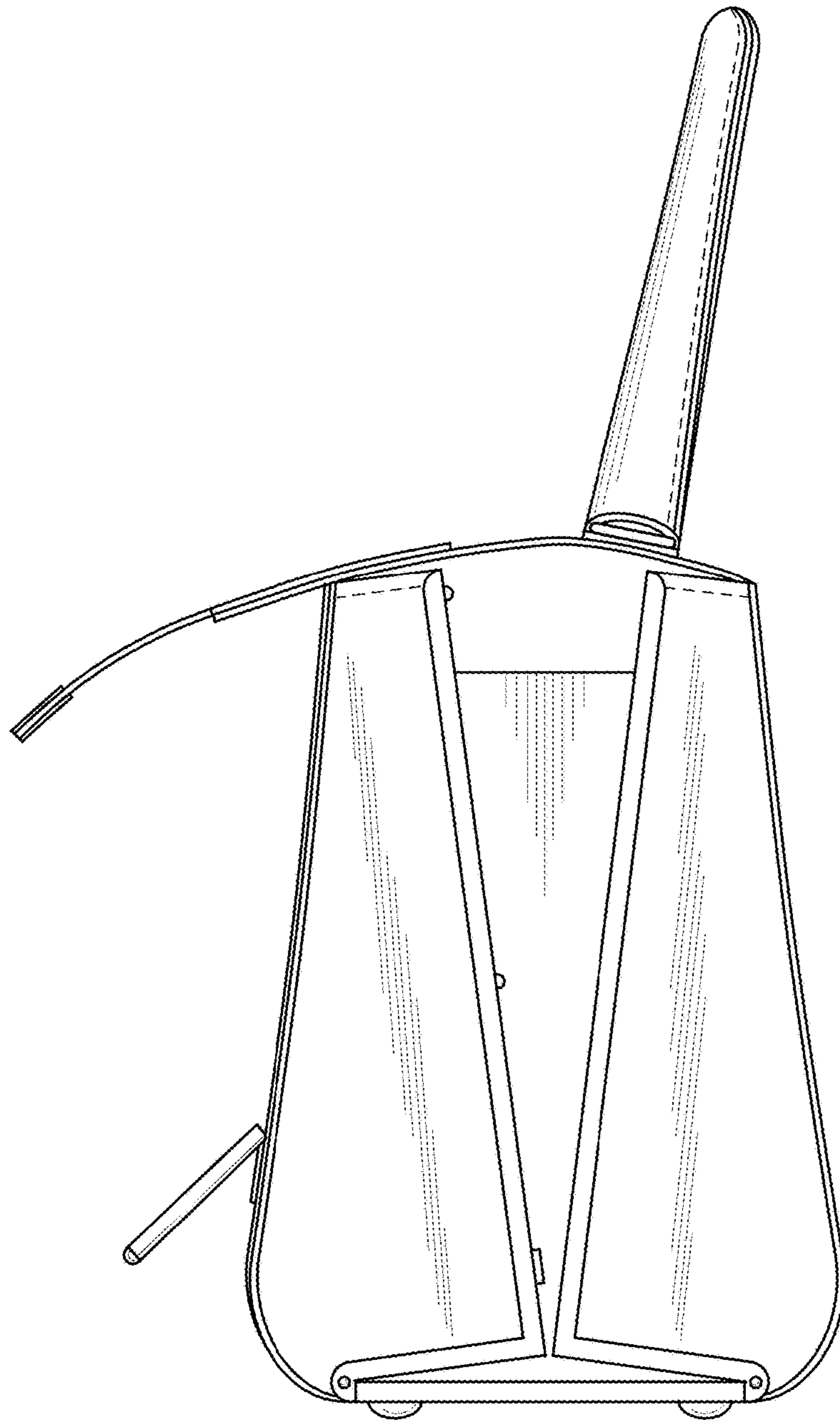


Figure 8