

US00D869832S

(12) **United States Design Patent**
Seamarks

(10) **Patent No.:** **US D869,832 S**

(45) **Date of Patent:** **** Dec. 17, 2019**

(54) **SHOE**

(71) Applicant: **NIKE, Inc.**, Beaverton, OR (US)

(72) Inventor: **Karl Seamarks**, Portland, OR (US)

(73) Assignee: **NIKE, Inc.**, Beaverton, OR (US)

(**) Term: **15 Years**

(21) Appl. No.: **29/676,320**

(22) Filed: **Jan. 10, 2019**

(51) **LOC (12) Cl.** **02-04**

(52) **U.S. Cl.**
USPC **D2/947**

(58) **Field of Classification Search**

USPC D2/902, 906, 908, 916, 918, 925,
D2/946-962, 977; 36/3 B, 22 R, 24.5,
36/25 R, 28, 32 R, 34 R, 59 C, 67 A, 103
CPC A43B 13/00; A43B 13/02; A43B 13/023;
A43B 13/026; A43B 13/04; A43B 13/08;
A43B 13/10; A43B 13/12; A43B 13/14;
A43B 13/141; A43B 13/143; A43B
13/16; A43B 13/18; A43B 13/181; A43B
13/187; A43B 13/189; A43B 13/20; A43B
13/22; A43B 13/223; A43B 13/24; A43B
13/28; A43B 13/30; A43B 13/32; A43B
13/34; A43B 13/36

See application file for complete search history.

(56) **References Cited**

U.S. PATENT DOCUMENTS

D260,196 S 8/1981 Plagenhoef
D319,720 S 9/1991 Selbiger
D321,584 S 11/1991 Mitsui
5,425,184 A * 6/1995 Lyden A43B 13/20
36/114
D375,190 S 11/1996 Lucas
D407,540 S 4/1999 Dolinsky

D411,242 S 6/1999 Link
D418,282 S * 1/2000 von Conta D2/947
D419,284 S 1/2000 Dolinsky
D421,830 S * 3/2000 Rohrbach D2/947
D501,713 S * 2/2005 Kayano D2/977
D511,618 S 11/2005 McDowell et al.
D516,786 S 3/2006 Besanceney, III
D541,052 S 4/2007 Miller et al.
D554,842 S 11/2007 Gaenssler et al.
D560,335 S * 1/2008 Turner A43B 13/223
D2/957
D566,960 S 4/2008 Rivas et al.
D575,942 S * 9/2008 del Biondi A43B 7/06
D2/916
D576,388 S * 9/2008 del Biondi D2/916
7,546,695 B2 6/2009 Aveni et al.

(Continued)

OTHER PUBLICATIONS

Nike Footwear Catalog, 1986 Spring Footwear, p. 3, published Jun. 1985, NIKE, Inc., USA.

(Continued)

Primary Examiner — T Chase Nelson

(74) *Attorney, Agent, or Firm* — Banner & Witcoff, Ltd.

(57) **CLAIM**

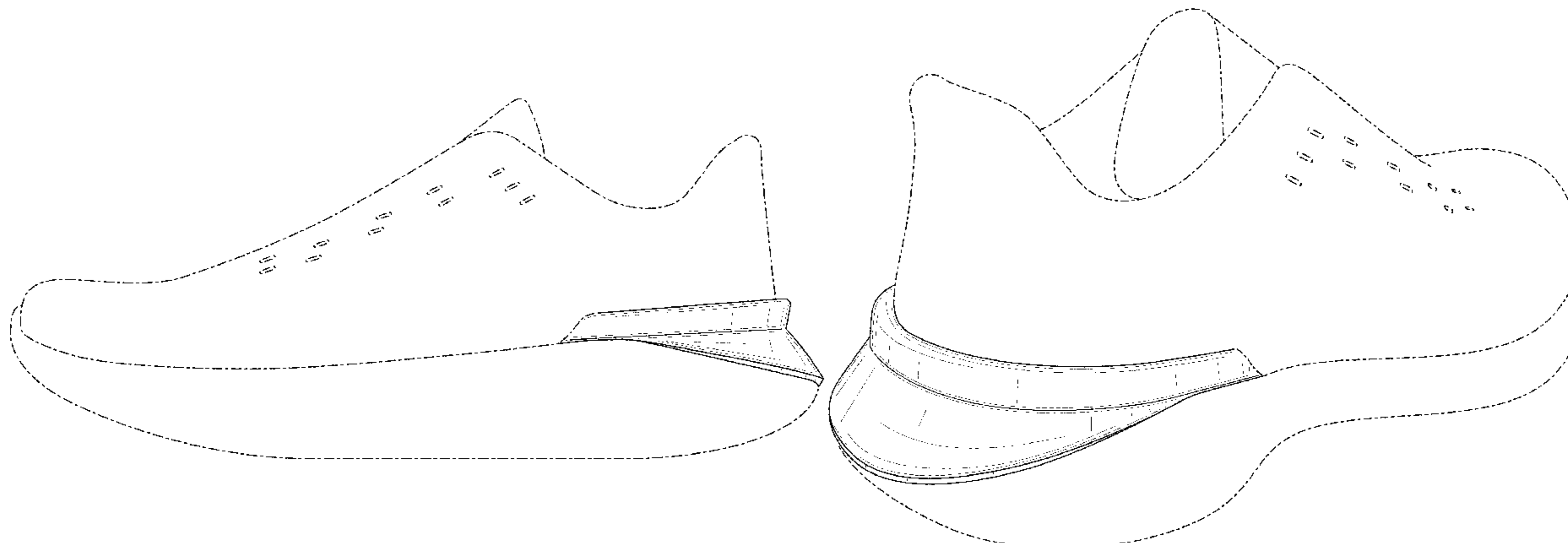
The ornamental design for a shoe, as shown and described.

DESCRIPTION

FIG. 1 is a side view of a shoe showing my new design; FIG. 2 is a rear perspective view thereof; FIG. 3 is a rear view thereof; FIG. 4 is a second rear perspective view thereof; and, FIG. 5 is an opposite side view thereof.

The broken lines immediately adjacent to the shaded area define the bounds of the claimed design and form no part thereof. The broken lines depicting the remainder of the shoe show features that form no part of the claimed design.

1 Claim, 5 Drawing Sheets



(56)

References Cited

U.S. PATENT DOCUMENTS

D661,878 S 6/2012 Grenet
 D693,101 S * 11/2013 Dombrow D2/951
 D723,772 S * 3/2015 Miner D2/947
 D725,878 S * 4/2015 Teng-Lee D2/947
 D752,321 S * 3/2016 Sirius-El D2/908
 D783,258 S 4/2017 Shyllon
 D783,958 S * 4/2017 Petrenka D2/947
 D783,960 S 4/2017 Hatfield
 D786,545 S 5/2017 Link
 D789,052 S 6/2017 Hardman
 D790,170 S 6/2017 Rasmussen
 D794,287 S 8/2017 Raasch
 D798,556 S 10/2017 Sullivan
 D799,179 S 10/2017 Comeaux
 D805,273 S * 12/2017 Birkinhead D2/908
 D805,753 S 12/2017 Enayah
 D808,629 S 1/2018 Parrett et al.
 D816,956 S 5/2018 Sokol
 D816,972 S 5/2018 Pauk
 D817,611 S 5/2018 Small
 D817,612 S 5/2018 Small
 D817,628 S 5/2018 Hatfield
 D819,310 S 6/2018 Lashmore
 D819,311 S * 6/2018 Jury A43B 1/0054
 D2/947
 D819,312 S 6/2018 Lashmore et al.
 D822,349 S 7/2018 Petrenka
 D822,965 S * 7/2018 DeAlmeida D2/947
 D829,420 S 10/2018 McWee
 D829,421 S 10/2018 Pope
 D829,423 S 10/2018 Robusti
 D834,292 S * 11/2018 Hernandez A43B 13/20
 D2/947
 D834,796 S 12/2018 Pope
 D834,797 S 12/2018 Rathbum
 D834,799 S 12/2018 Rathbum
 D835,389 S 12/2018 Durflinger
 D838,966 S 1/2019 Pauk
 D839,565 S 2/2019 Petrie
 D840,554 S 2/2019 Mendes Silva
 D841,297 S 2/2019 Small
 D841,298 S 2/2019 Small
 D841,306 S * 2/2019 Small D2/972
 D841,953 S * 3/2019 Ellis D2/951
 D844,954 S 4/2019 Sokol
 D846,245 S * 4/2019 Kosenick D2/947
 D851,381 S * 6/2019 Hong D2/972
 D851,877 S 6/2019 Small
 D851,878 S * 6/2019 Pauk D2/947
 D853,701 S * 7/2019 Hong D2/947
 D854,795 S 7/2019 Hatfield
 D855,955 S * 8/2019 Neumann D2/955
 D858,054 S * 9/2019 McMillan D2/947
 D858,955 S * 9/2019 Bongers D2/910
 D858,962 S * 9/2019 Small D2/947
 D860,598 S * 9/2019 Small D2/947
 D860,599 S * 9/2019 Small D2/947
 D860,600 S * 9/2019 Small D2/947
 D860,601 S * 9/2019 Small D2/947

D860,602 S * 9/2019 Small D2/947
 D860,603 S * 9/2019 Small D2/947
 D860,604 S * 9/2019 Small D2/947
 D860,605 S * 9/2019 Small D2/947
 D860,606 S * 9/2019 Small D2/947
 D860,607 S * 9/2019 Small D2/947
 D860,608 S * 9/2019 Small D2/947
 D860,609 S * 9/2019 Small D2/947
 D860,610 S * 9/2019 Small D2/947
 D860,611 S * 9/2019 Small D2/947
 2007/0119073 A1 * 5/2007 Brewer A43B 7/06
 36/3 B
 2013/0278436 A1 * 10/2013 Ellis A43B 1/0054
 340/870.07

OTHER PUBLICATIONS

Nike Footwear Catalog, 1987 Fall Footwear, p. 14, published Jan. 1987, NIKE, Inc., USA.
 Nike Footwear Catalog, 1988 Fall Footwear, p. 38, published Dec. 1987, NIKE, Inc., USA.
 Nike Footwear Catalog, 1993 Holiday Footwear, p. 4, published Mar. 1993, NIKE, Inc., USA.
 Nike Footwear Catalog, 1994 Spring Footwear, p. 38, published Jun. 1993, NIKE, Inc., USA.
 Nike Footwear Catalog, 1994 Fall Footwear, p. 52, published Nov. 1993, NIKE, Inc., USA.
 Nike Footwear Catalog, 1997 Spring Footwear, p. 40, published Jun. 1996, NIKE, Inc., USA.
 Nike Footwear Catalog, 1997 Fall Footwear, p. 28, published Dec. 1996, NIKE, Inc., USA.
 Nike Footwear Catalog, 1999 Fall Footwear, p. M66, published Nov. 1998, NIKE, Inc., USA.
 Nike Footwear Catalog, 2009 Spring Sport Performance Footwear, p. 57, published May 2008, NIKE, Inc., USA.
 Nike Footwear Catalog, 2009 Fall Core Footwear, p. 2, published Nov. 2008, NIKE, Inc., USA.
 Nike Footwear Catalog, 2015 Spring Core Performance Footwear Final, p. 11, published May 14, 2014, NIKE, Inc., USA.
 Nike Footwear Catalog, 2016 Fall Lacrosse Specialty Footwear Apparel Equipment NA, p. 21 published Nov. 2015, NIKE, Inc., USA.
 NIKE Footwear Catalog, 2016 Fall Strategic Sporting Goods Apparel Equipment Catalog NA, p. 125, published Nov. 2015, NIKE, Inc., USA.
 NIKE Footwear Catalog, 2018 Summer Running, p. 61, published date unknown, but prior to the filing date of the present application, NIKE, Inc., USA.
 Nike Footwear Catalog, 2019 Spring Running, p. 96, published date unknown, but prior to the filing date of the present application, NIKE, Inc., USA.
 “Nike Epic React Coming Soon in White and Pink”; Sneaker News ; retrieved May 16, 2019; published Apr. 25, 2018; URL: <<https://sneakernews.com/2018/04/25/nike-epic-react-white-pink-release-info/>>.
 “Nike Odyssey React 2 Flyknit”; Running Shoes Guru; retrieved May 16, 2019; published Apr. 8, 2019; URL: <<https://www.runningshoesguru.com/2019/04/nike-odyssey-react-2-flyknit/>>.

* cited by examiner

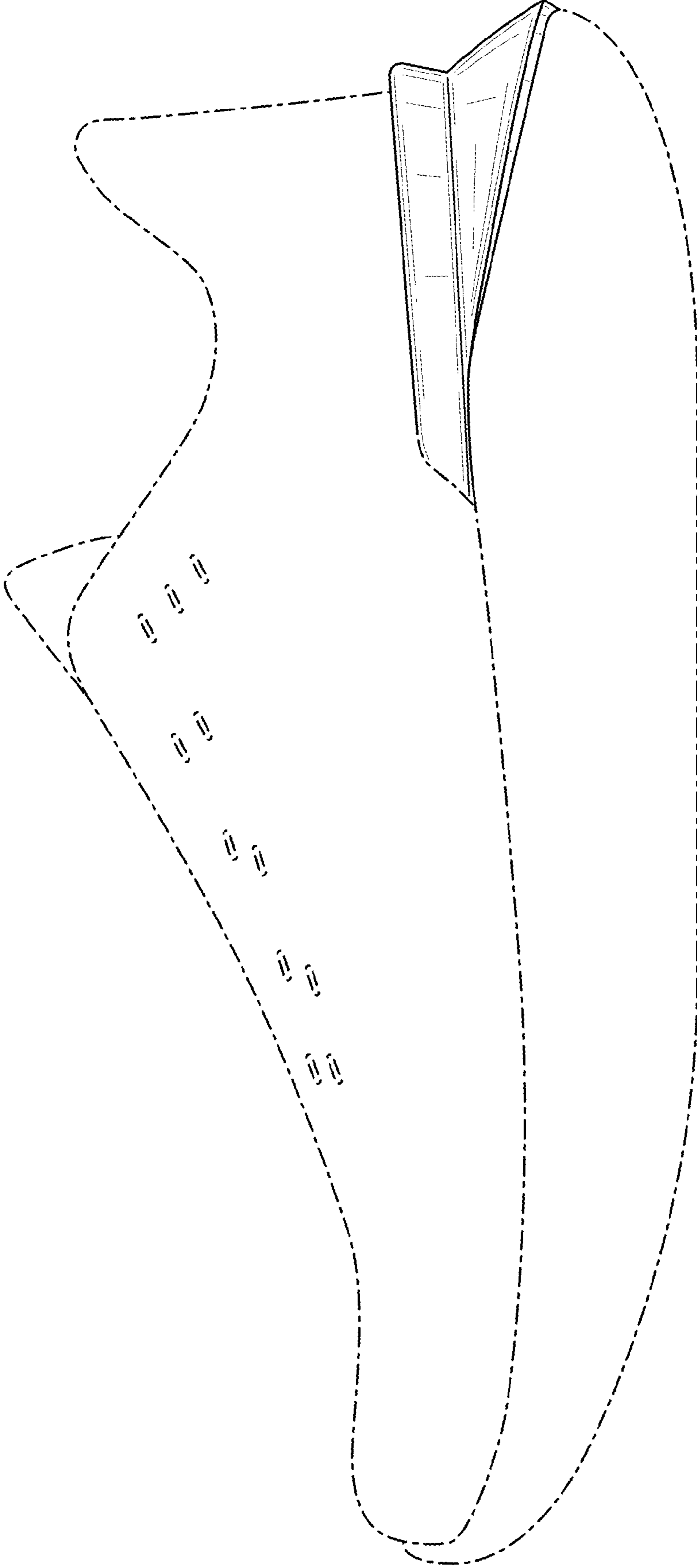


FIG. 1

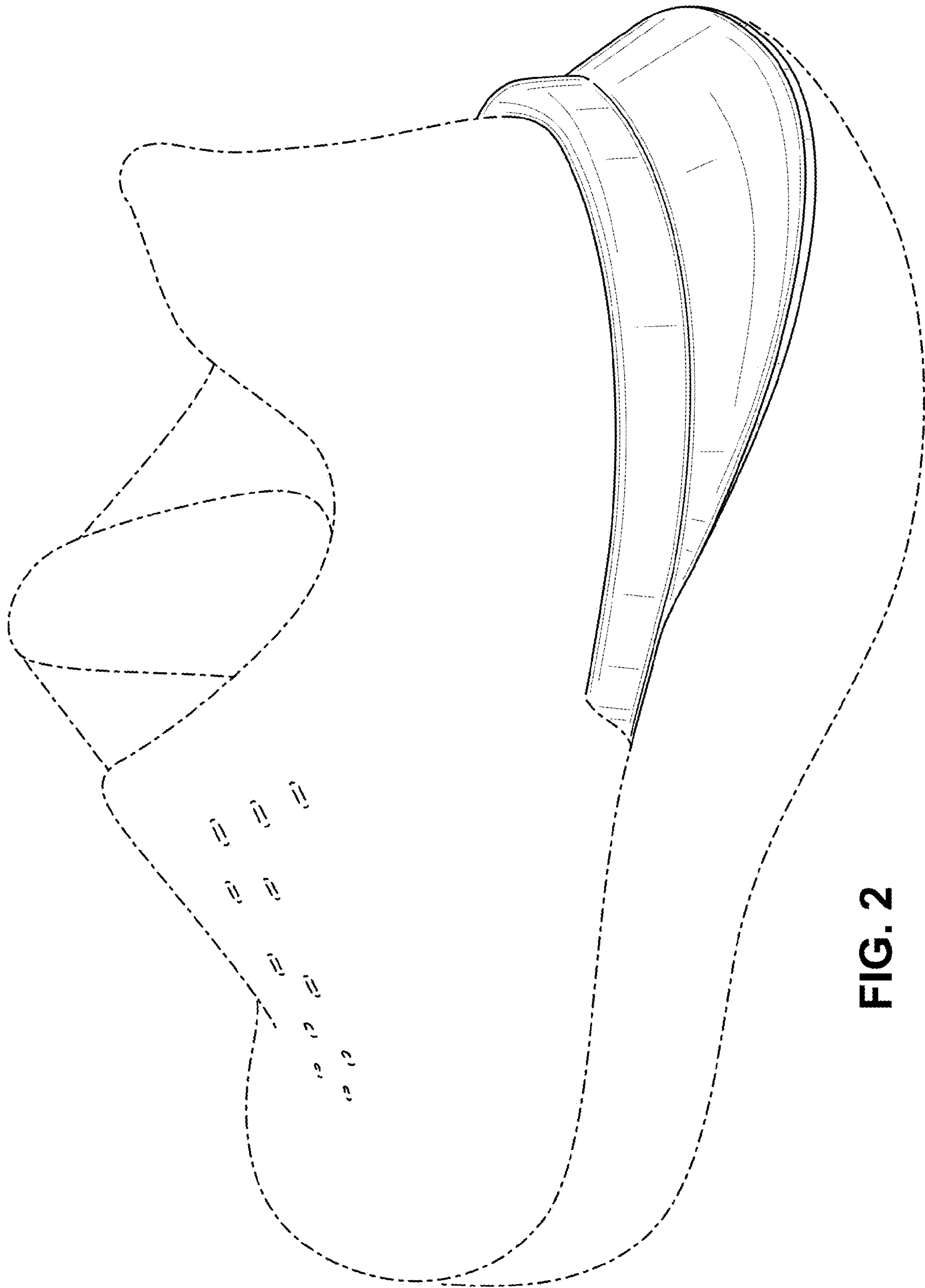


FIG. 2

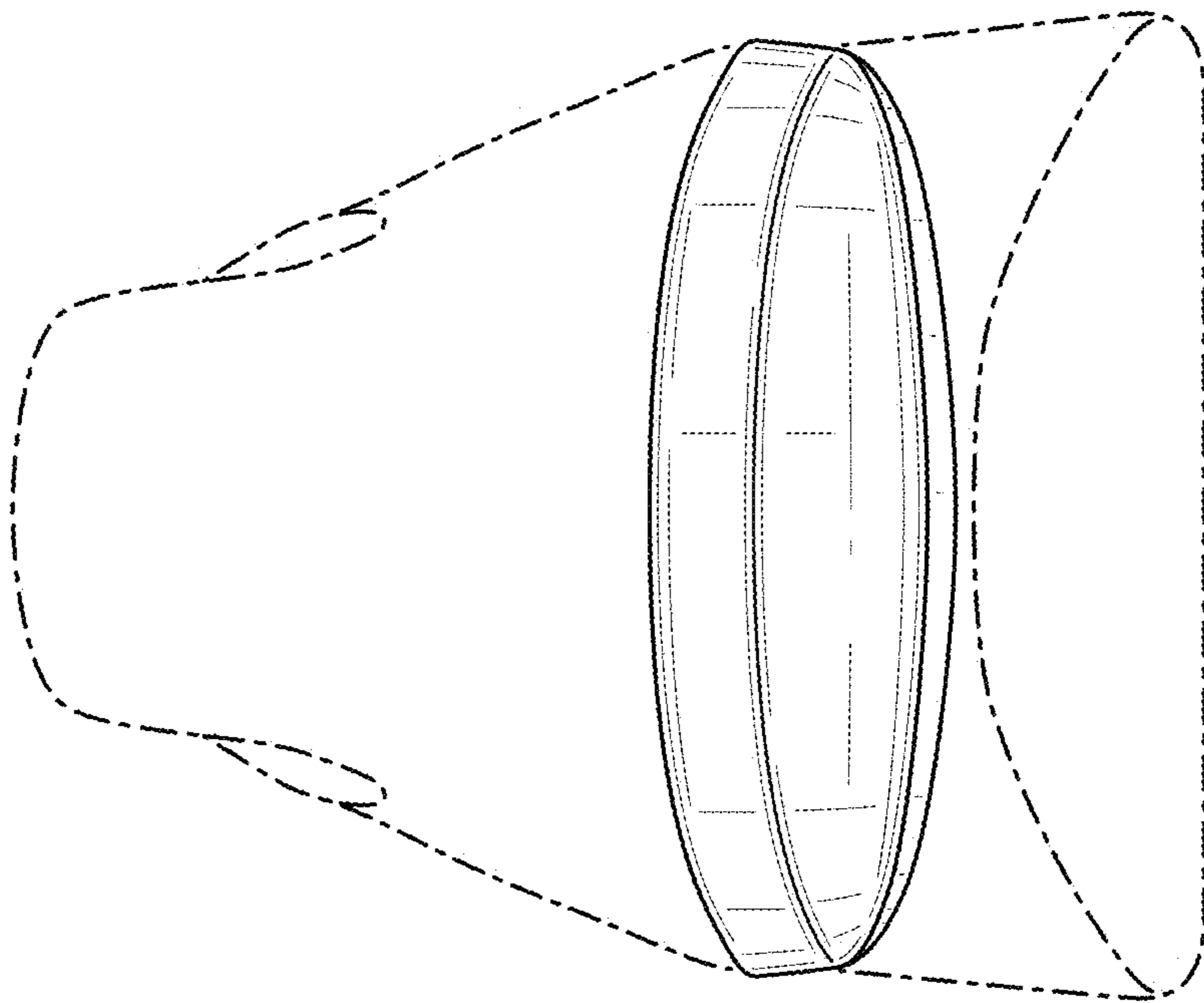


FIG. 3

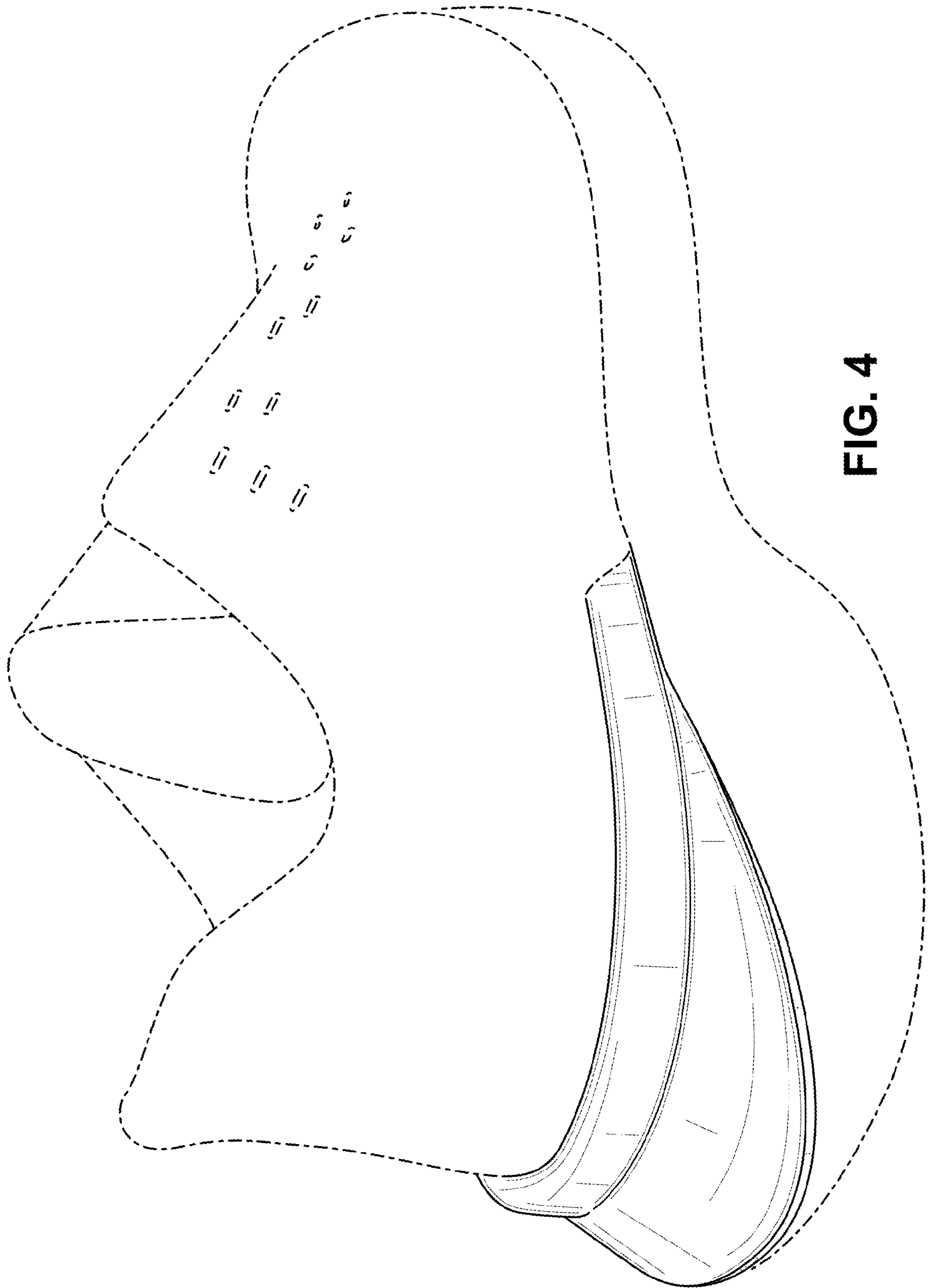


FIG. 4

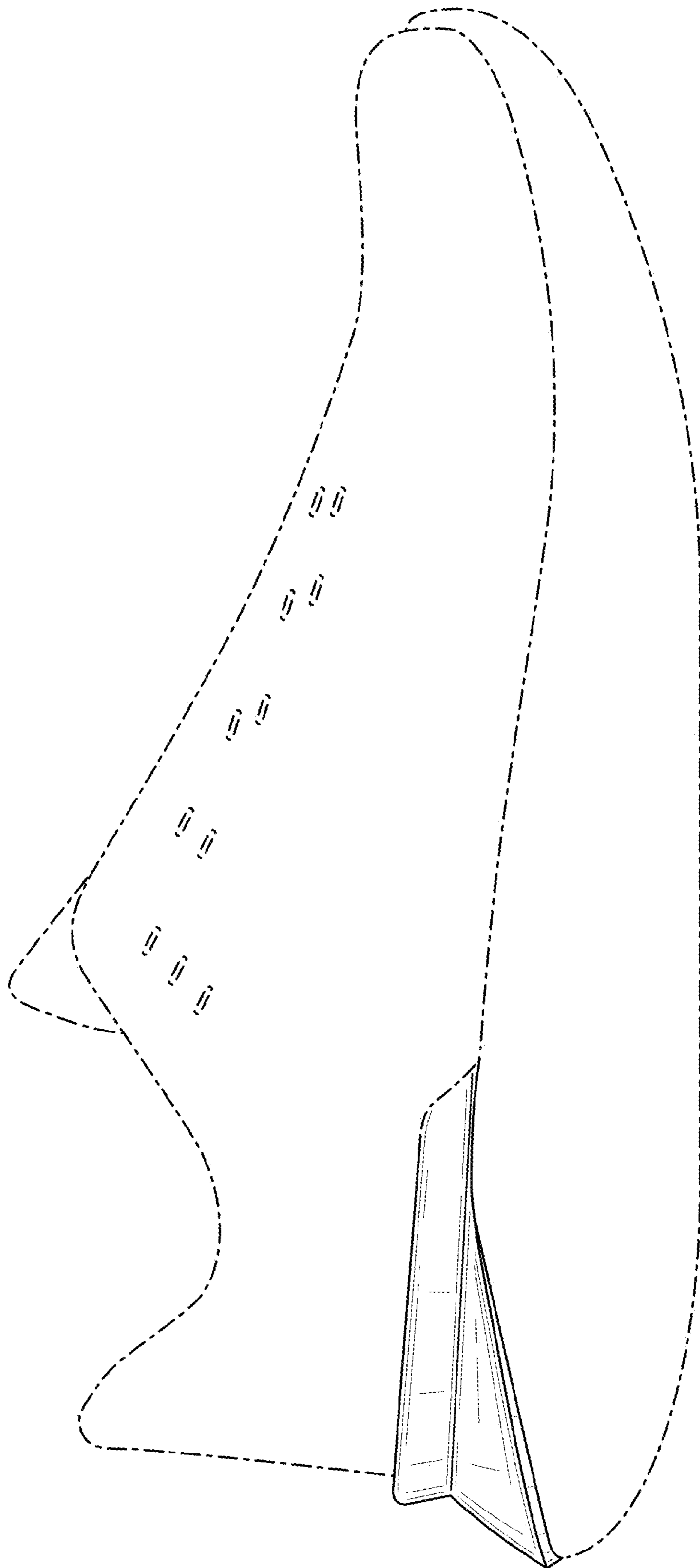


FIG. 5