

US00D869826S

(12) **United States Design Patent** (10) **Patent No.:** **US D869,826 S**
Chanthavong (45) **Date of Patent:** **** *Dec. 17, 2019**

- (54) **FOOTWEAR**
- (71) Applicant: **Crocs, Inc.**, Niwot, CO (US)
- (72) Inventor: **Tuee Chanthavong**, Edgewater, CO (US)
- (73) Assignee: **CROCS, INC.**, Niwot, CO (US)
- (*) Notice: This patent is subject to a terminal disclaimer.
- (**) Term: **15 Years**

- D567,483 S 4/2008 Liow
- D571,547 S 6/2008 Yang
- D573,778 S 7/2008 Hawker
- D575,034 S 8/2008 Hoyt
- D575,482 S 8/2008 Hoyt
- D575,499 S 8/2008 Seamans
- D579,651 S 11/2008 Hearn
- D584,032 S 1/2009 Jarosik
- D584,042 S 1/2009 Eisenbraun
- D600,907 S 9/2009 Boyd et al.
- D610,784 S 3/2010 Del Biondi
- 7,698,836 B2 4/2010 Schmelzer et al.

(Continued)

- (21) Appl. No.: **29/682,157**
- (22) Filed: **Mar. 1, 2019**

Related U.S. Application Data

- (63) Continuation of application No. 29/554,117, filed on Feb. 8, 2016, now Pat. No. Des. 843,089.
- (51) **LOC (12) Cl.** **02-04**
- (52) **U.S. Cl.**
USPC **D2/916**
- (58) **Field of Classification Search**
USPC D2/916
See application file for complete search history.

(56) **References Cited**

U.S. PATENT DOCUMENTS

- D470,995 S 3/2003 Bronga
- D473,040 S 4/2003 Hawker et al.
- 6,993,858 B2 2/2006 Seamans
- D517,789 S 3/2006 Seamans
- D517,790 S 3/2006 Seamans
- D529,263 S 10/2006 Wolf
- 7,146,751 B2 12/2006 Seamans
- D545,032 S 6/2007 Wolf
- D545,033 S 6/2007 Wolf
- D564,184 S 3/2008 Issler
- D564,207 S 3/2008 Seamans
- D564,208 S 3/2008 Seamans

OTHER PUBLICATIONS

“Starbay Women’s Garden Clog Shoes,” found online Nov. 17, 2017 at www.amazon.com, page dated Feb. 27, 2014, retrieved from <https://goo.gl/AQGKcZ>, 2014 (2 pages).

(Continued)

Primary Examiner — Garth Rademaker
Assistant Examiner — Katelin G Kloberg

(74) *Attorney, Agent, or Firm* — Wilmer Cutler Pickering Hale and Dorr LLP

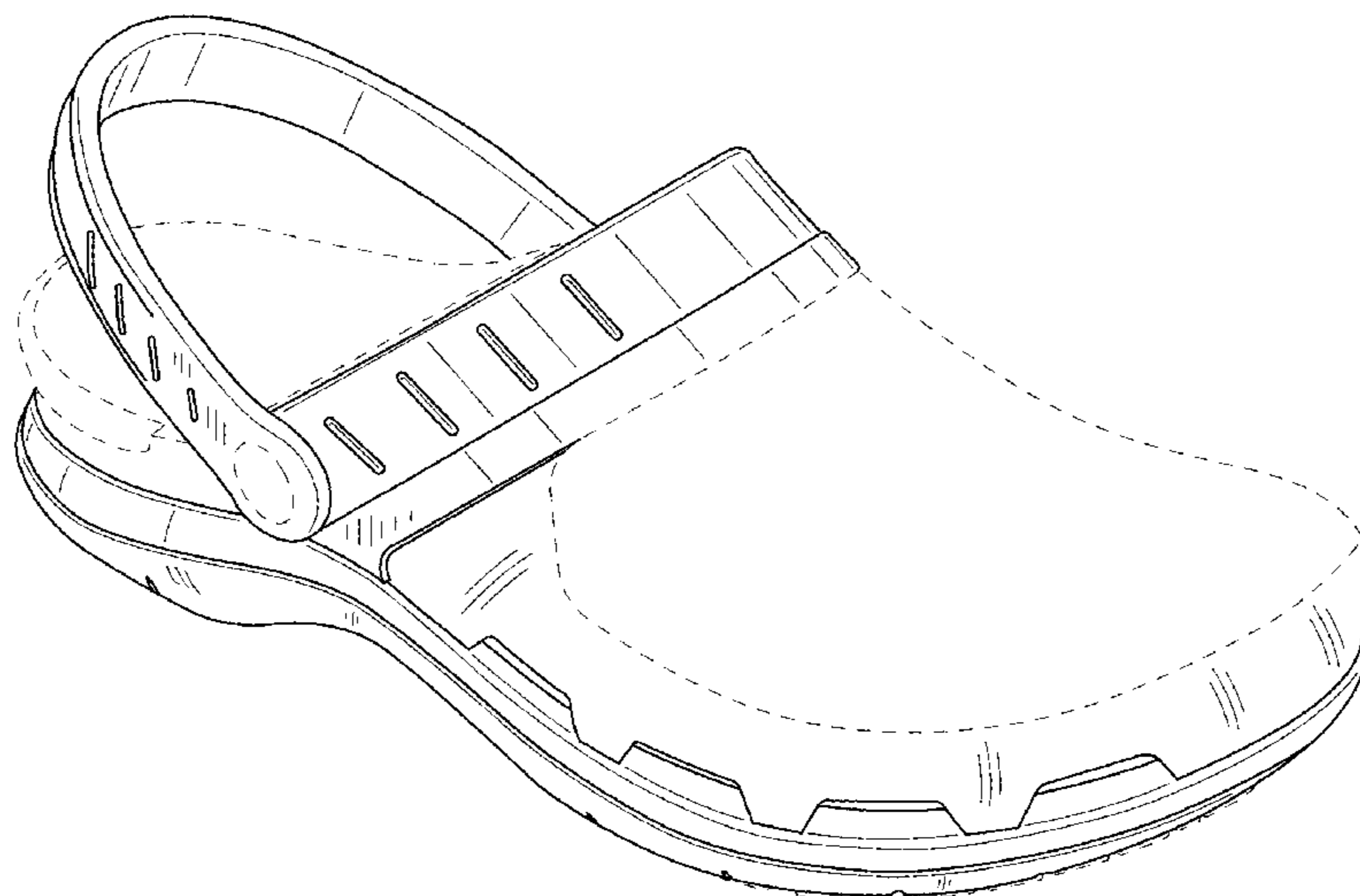
(57) **CLAIM**

The ornamental design for footwear, as shown and described.

DESCRIPTION

FIG. 1 is a front perspective view of footwear;
FIG. 2 is a front view thereof;
FIG. 3 is a back view thereof;
FIG. 4 is an outer side view thereof;
FIG. 5 is an inner side view thereof;
FIG. 6 is a top view thereof; and,
FIG. 7 is a bottom view thereof.
The portions shown in dashed lines form no part of the claimed design.

1 Claim, 6 Drawing Sheets



(56)

References Cited

U.S. PATENT DOCUMENTS

D618,448 S 6/2010 Hill et al.
 D621,596 S 8/2010 Seilles et al.
 D624,289 S 9/2010 Lambert et al.
 D624,731 S 10/2010 Lambert et al.
 D624,733 S 10/2010 O'Boyle et al.
 D630,825 S 1/2011 Strauss
 D635,055 S 3/2011 Stotts et al.
 D637,382 S 5/2011 Bathum
 7,980,004 B2 7/2011 Klavano
 D642,773 S 8/2011 Liow
 D645,235 S 9/2011 Carroll et al.
 D648,512 S 11/2011 Schlageter et al.
 D648,926 S 11/2011 Glazer
 D664,753 S 8/2012 Santos
 D667,612 S 9/2012 Del Biondi et al.
 D677,039 S 3/2013 Lubart
 D677,451 S 3/2013 Amphyon
 D691,351 S 10/2013 Pugazhenth
 D698,133 S 1/2014 Callegarini et al.
 D698,531 S 2/2014 Lock et al.
 D708,827 S 7/2014 Kue
 8,991,071 B2 3/2015 Bathum et al.
 D726,397 S 4/2015 Del Biondi et al.
 D732,808 S 6/2015 Del Biondi et al.
 D739,125 S 9/2015 Chanthavong
 D762,953 S 8/2016 Del Biondi et al.

D764,153 S 8/2016 Engerman
 D801,011 S 10/2017 Del Biondi et al.
 D821,079 S 6/2018 Abadjian
 D825,899 S 8/2018 Engerman
 D843,089 S 3/2019 Chanthavong
 2004/0231189 A1 11/2004 Seamans
 2004/0231191 A1 11/2004 Seamans
 2009/0050658 A1 2/2009 Boyd et al.
 2012/0222331 A1 9/2012 Blunden et al.
 2013/0145651 A1 6/2013 Bathum et al.

OTHER PUBLICATIONS

"Sunville Men's Perforated Garden Clog Shoes," Found online Nov. 17, 2017 at www.amazon.com, page dated Jun. 30, 2015, retrieved from https://www.amazon.com/Sunville-Mens-Perforated-Garden-Shoes/dp/B01NBSLTGY/ref=pd_sim_309_7?_encoding=UTF8&refRID=XB19CQ671CEA0K09CBQ5&th=1, 2015 (2 pages).
 "Sara Z Women's Rubber Foam Slingback Clogs with Ventilated Upper Size," Found online Nov. 17, 2017 at www.amazon.com, dated Feb. 15, 2017, retrieved from https://amazon.com/dp/B06WLM7829/ref=sspa_dk_detail_3?psc=1, 2017 (2 pages).
 "Zack & Evan Boy's Rubber Foam Slingback Clogs with Ventilated Upper Size," Found online Nov. 17, 2017 at www.amazon.com, dated Feb. 15, 2017, retrieved from https://www.amazon.com/Zack-Evan-Rubber-Slingback-Ventilated/dp/BO6WP6GRJZ/ref=pd_sim_309_8?encoding=UTF8&refRID=XB19CQ6710EA0K09CBQ5, 2017 (2 pages).

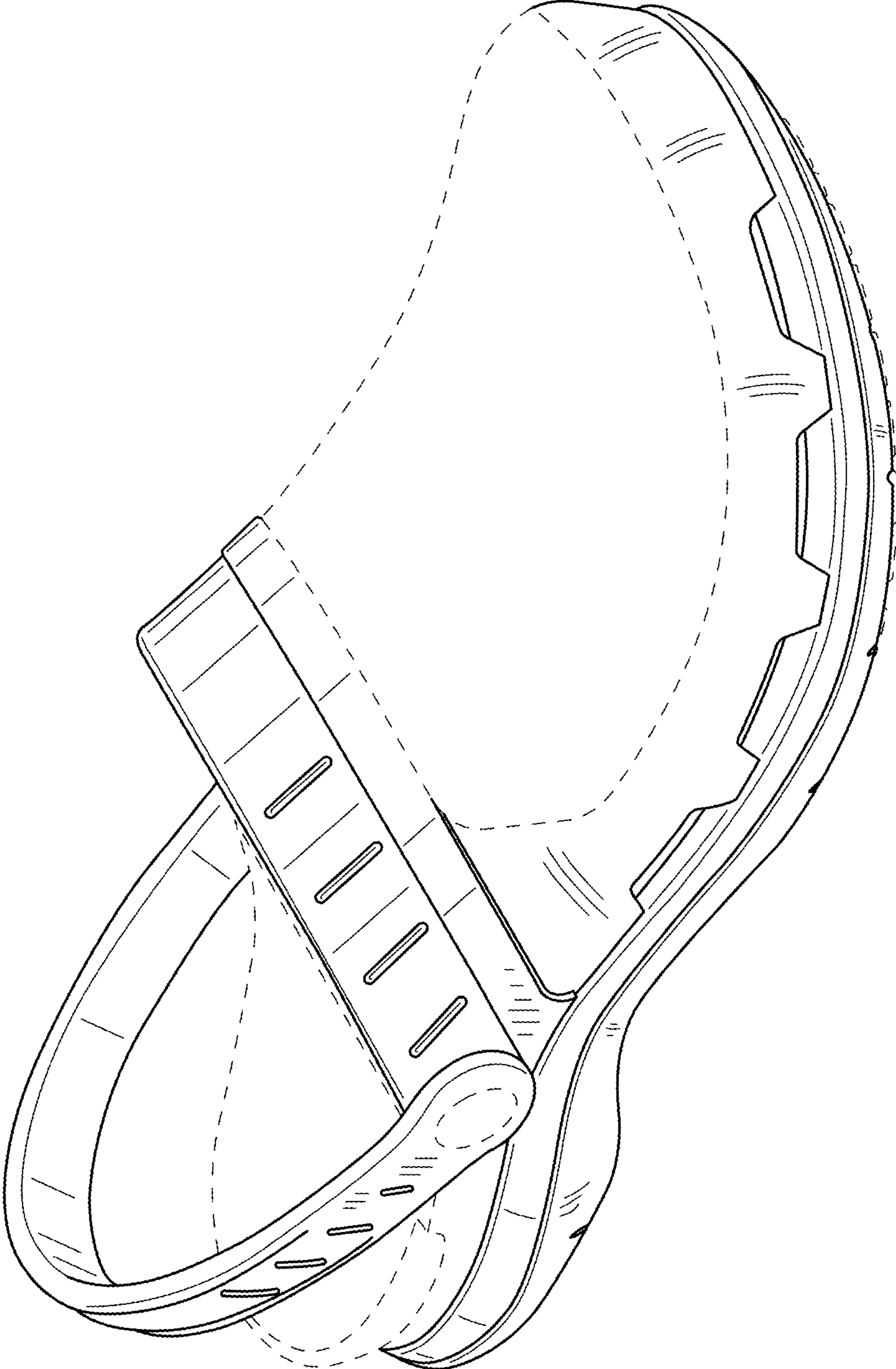


FIG.1

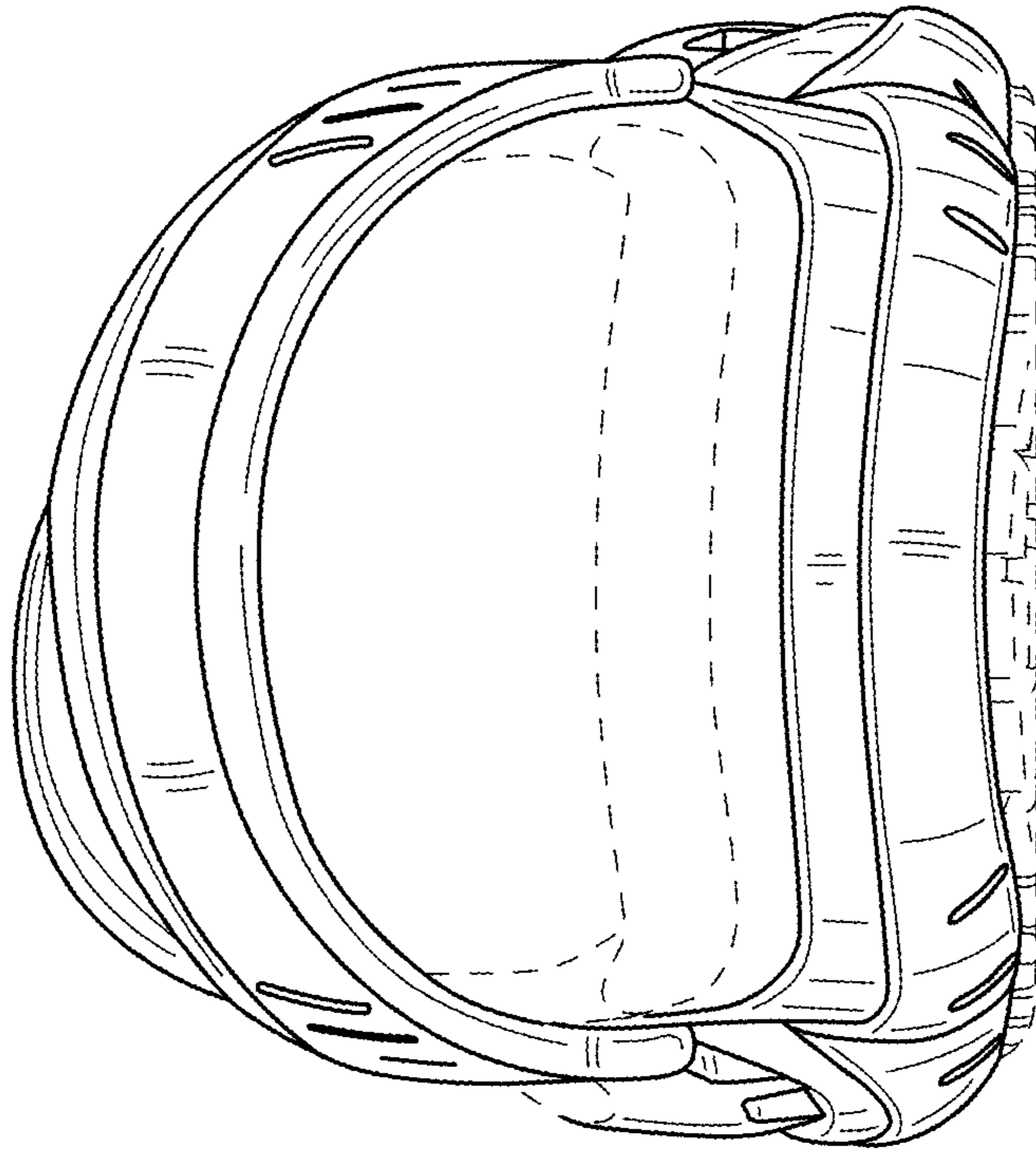


FIG.3

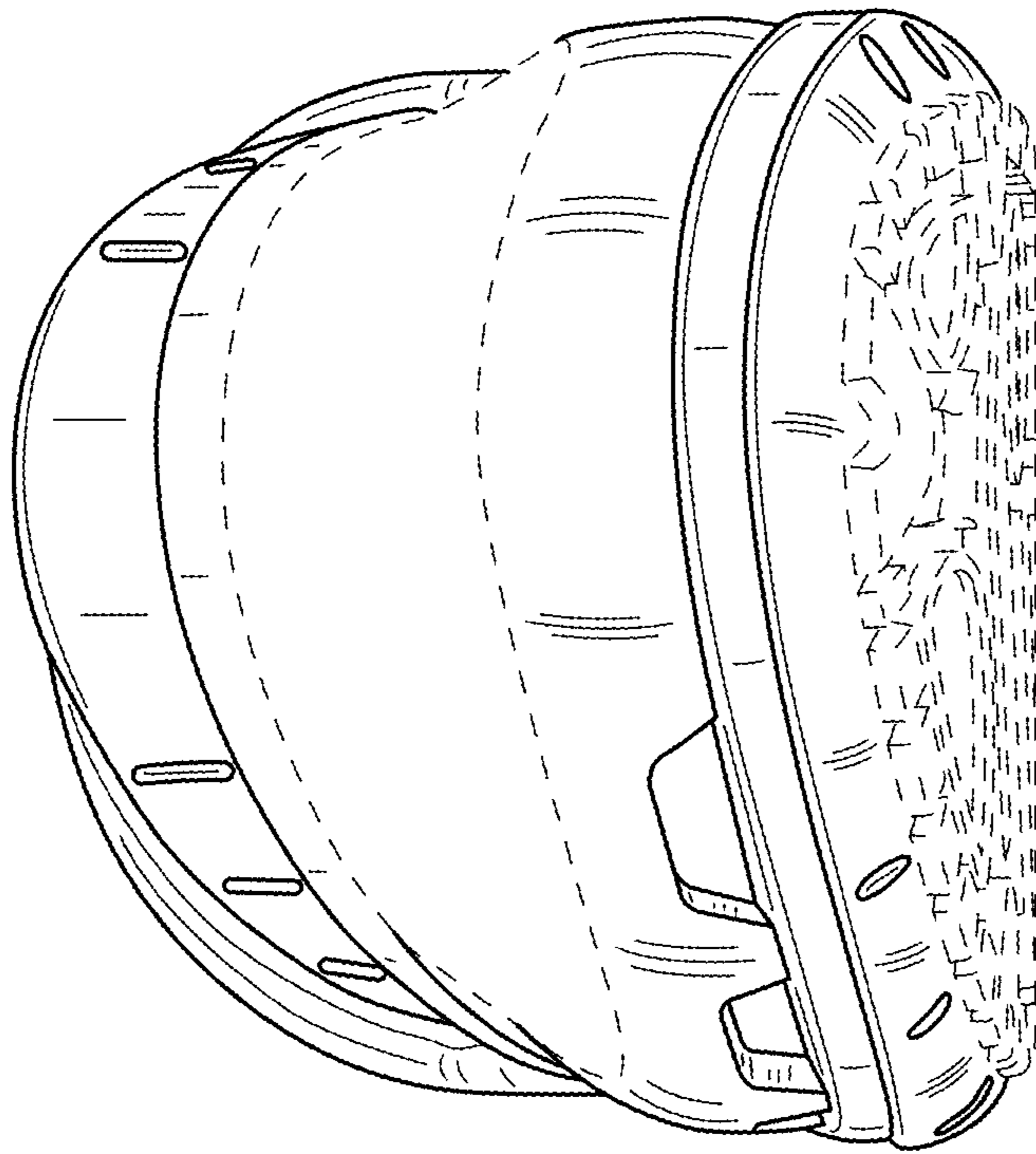


FIG.2

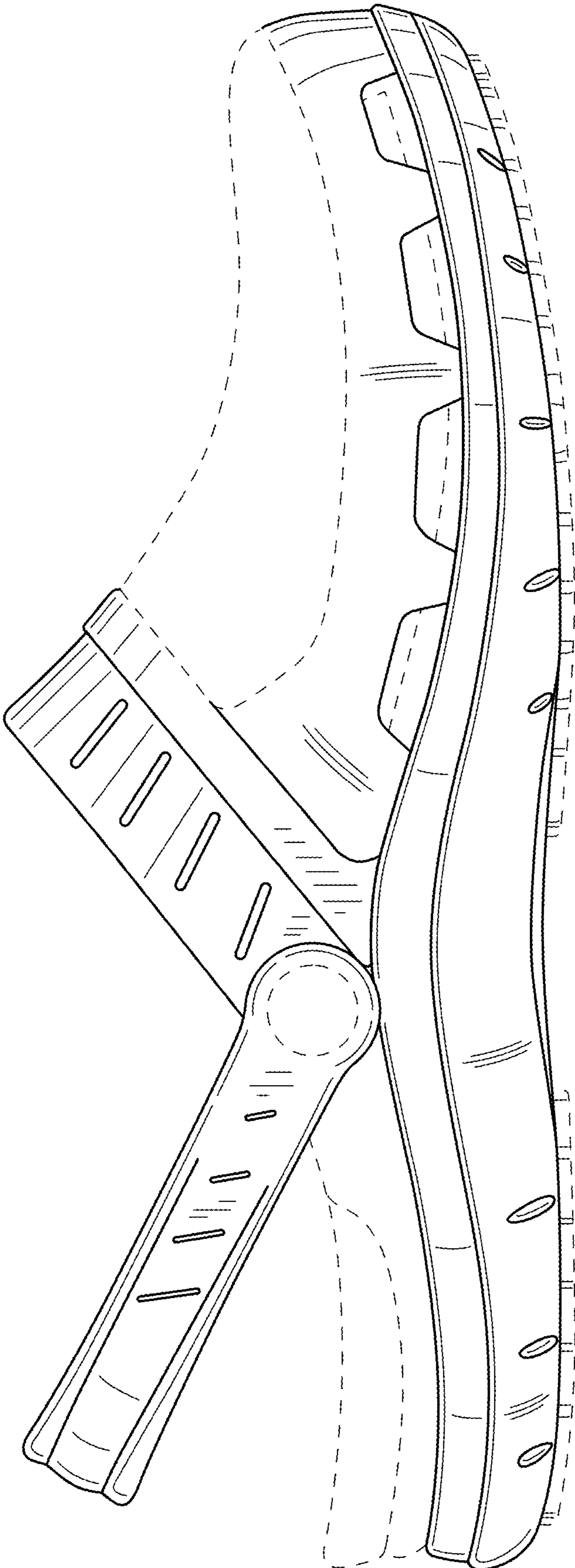


FIG.4

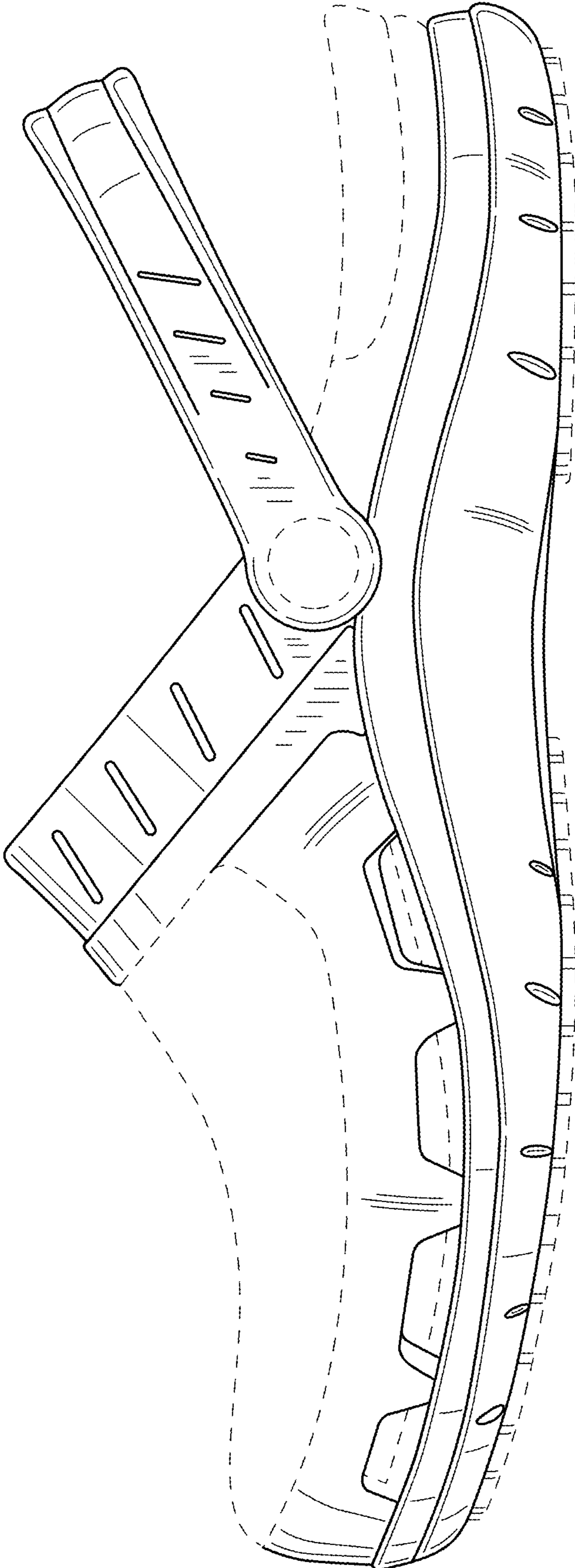


FIG.5

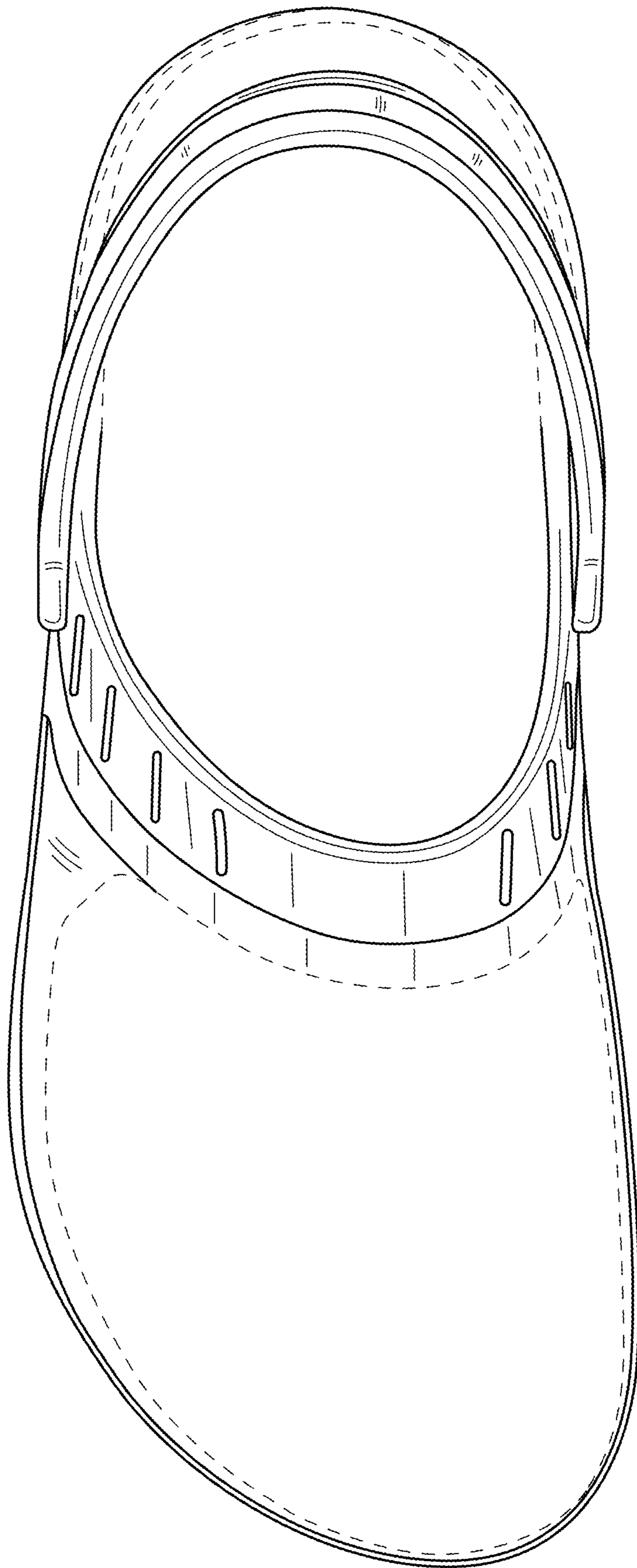


FIG.6

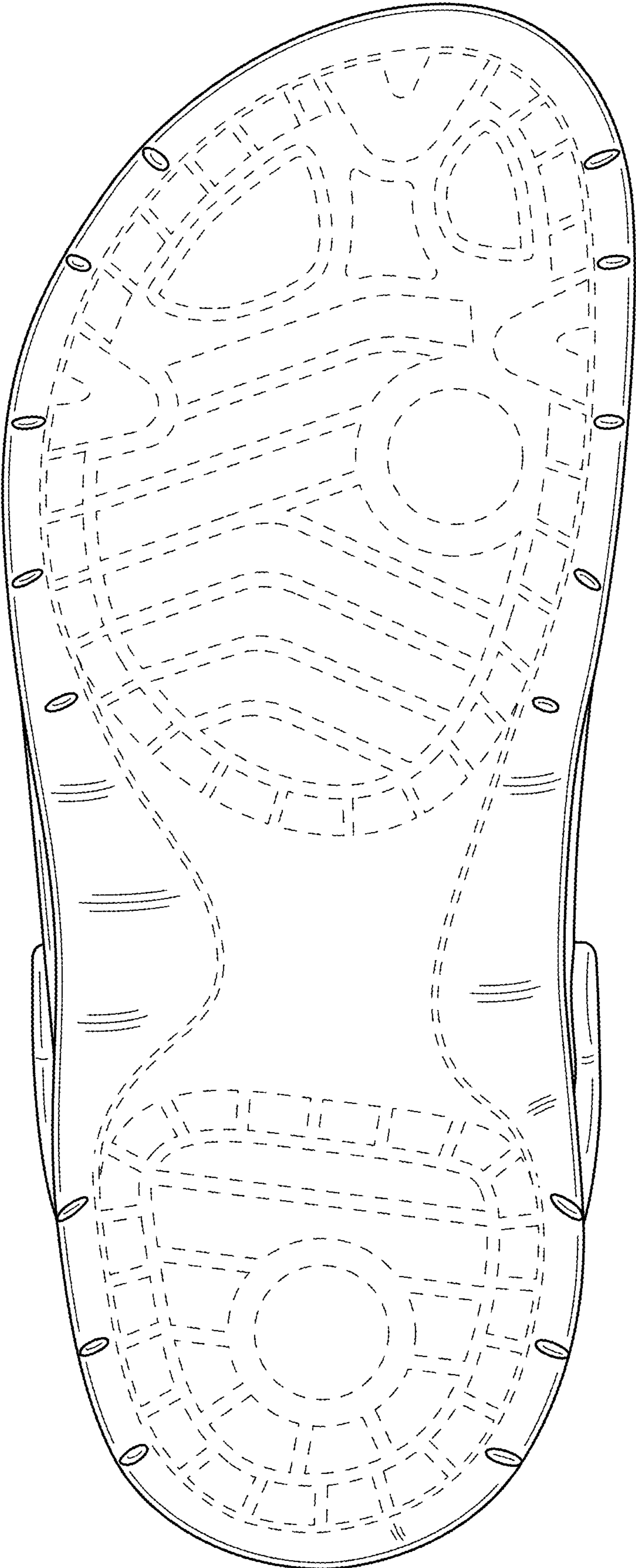


FIG.7