



US00D869811S

(12) **United States Design Patent** (10) **Patent No.:** **US D869,811 S**
Jeong (45) **Date of Patent:** **** Dec. 10, 2019**

(54) **STERILIZER FOR ESCALATOR HANDRAIL**

(71) Applicant: **LG Innotek Co., Ltd.**, Seoul (KR)

(72) Inventor: **Kihyun Jeong**, Seoul (KR)

(73) Assignee: **LG INNOTEK CO., LTD.**, Seoul (KR)

(**) Term: **15 Years**

(21) Appl. No.: **29/631,404**

(22) Filed: **Dec. 29, 2017**

(30) **Foreign Application Priority Data**

Dec. 13, 2017 (KR) 30-2017-0059020

(51) **LOC (12) Cl.** **12-05**

(52) **U.S. Cl.**
USPC **D34/35**

(58) **Field of Classification Search**
USPC D34/30
CPC B66B 31/02; B66B 29/04; B66B 23/04;
B65G 45/22
See application file for complete search history.

(56) **References Cited**

U.S. PATENT DOCUMENTS

- 2,550,918 A * 5/1951 Otto E04F 11/1836
198/338
- 3,946,853 A * 3/1976 Ishida B66B 31/02
198/494
- 3,970,187 A * 7/1976 Esaki B66B 29/04
198/338
- D342,914 S * 1/1994 Grieco D10/106.6
- 6,129,197 A * 10/2000 Gore B66B 29/04
198/323
- 6,131,719 A * 10/2000 Gore B66B 29/02
198/323

- D475,831 S * 6/2003 Sansevero D34/30
- D563,622 S * 3/2008 Im D34/30
- D647,681 S * 10/2011 Naulapaa D34/30
- 2014/0294668 A1 * 10/2014 Lee A61L 2/00
422/22
- 2014/0322073 A1 * 10/2014 Link A61L 2/10
422/24
- 2017/0029250 A1 * 2/2017 Thomsen B66B 31/02
- 2018/0099842 A1 * 4/2018 Kim A61L 2/08

* cited by examiner

Primary Examiner — Cynthia Ramirez

(74) *Attorney, Agent, or Firm* — Saliwanchik, Lloyd & Eisenschenk

(57) **CLAIM**

The ornamental design for a sterilizer for escalator handrail, as shown and described.

DESCRIPTION

FIG. 1 is a front, right side, perspective view of a sterilizer for escalator handrail showing my new design;
 FIG. 2 is a front view thereof;
 FIG. 3 is a rear view thereof;
 FIG. 4 is a left side view thereof;
 FIG. 5 is a right side view thereof;
 FIG. 6 is a top view thereof;
 FIG. 7 is a bottom view thereof; and,
 FIG. 8 is a reference view showing the subject design installed on an escalator handrail.
 The broken lines shown in FIGS. 1, 3 and 8 are to show portions of the sterilizer for escalator handrail, which form no part of the claimed design. The portion of an escalator shown in broken lines in FIG. 8 is to show environment and forms no part of the claimed design.

1 Claim, 5 Drawing Sheets

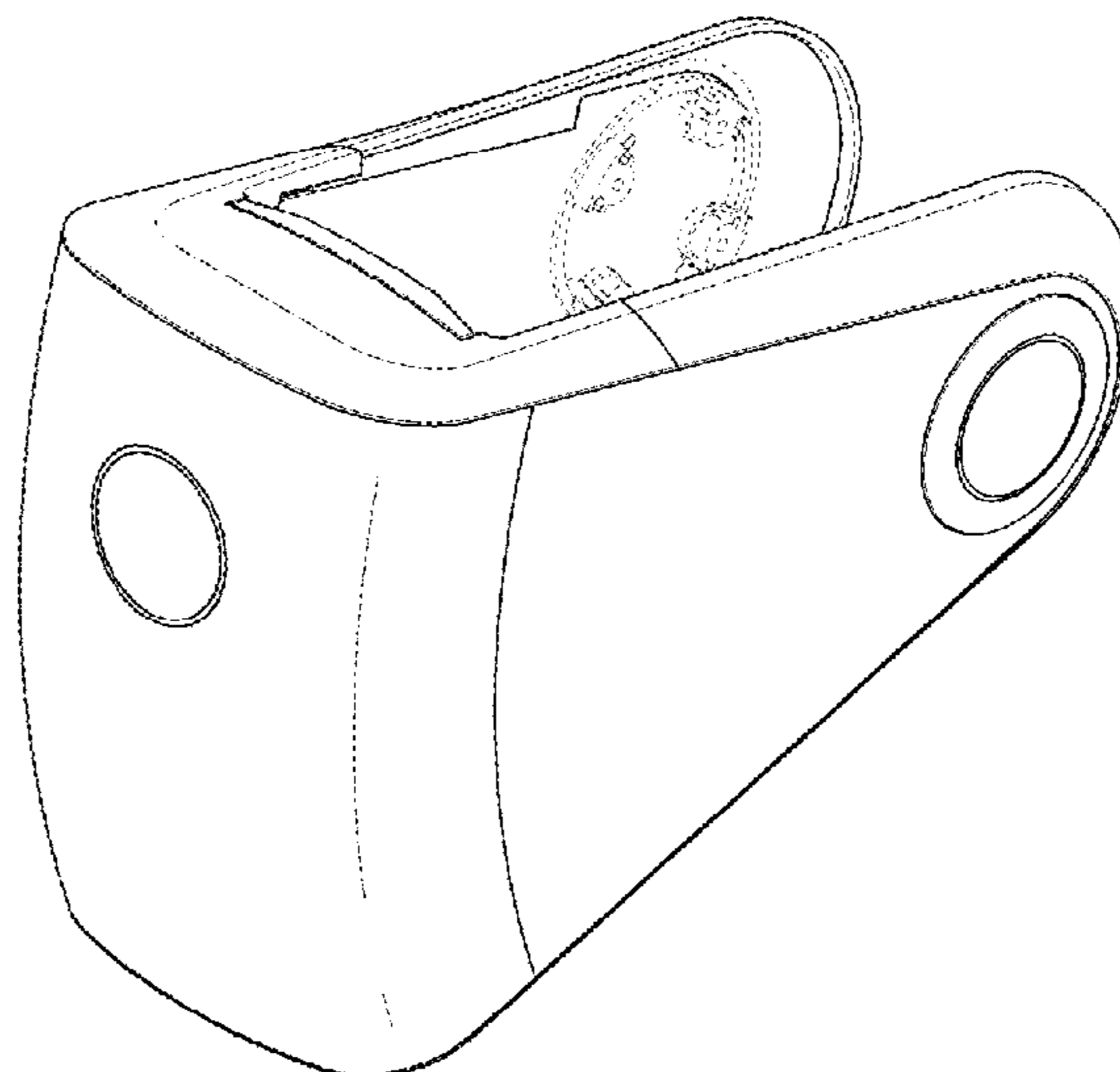


FIG. 1

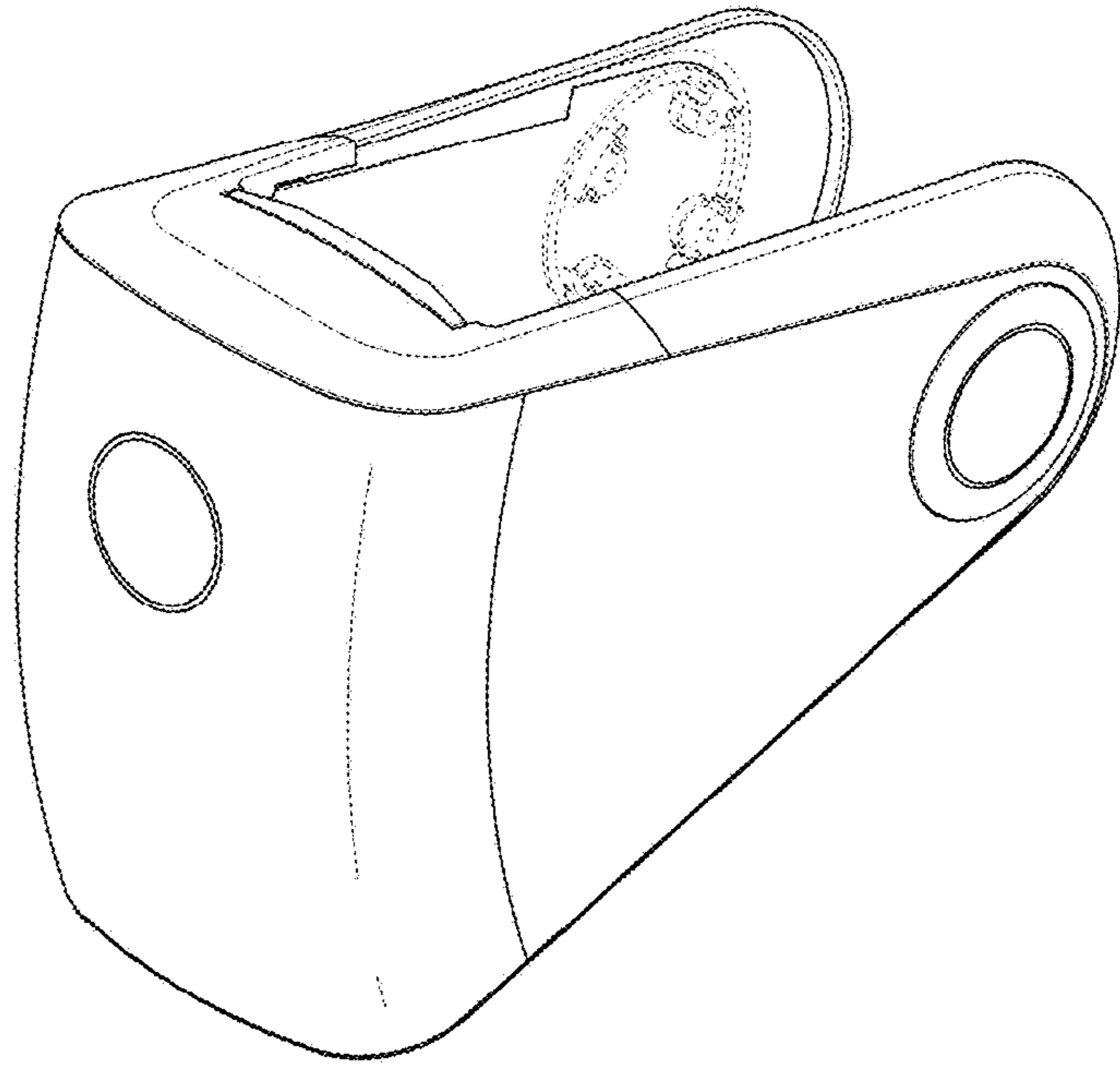


FIG. 2

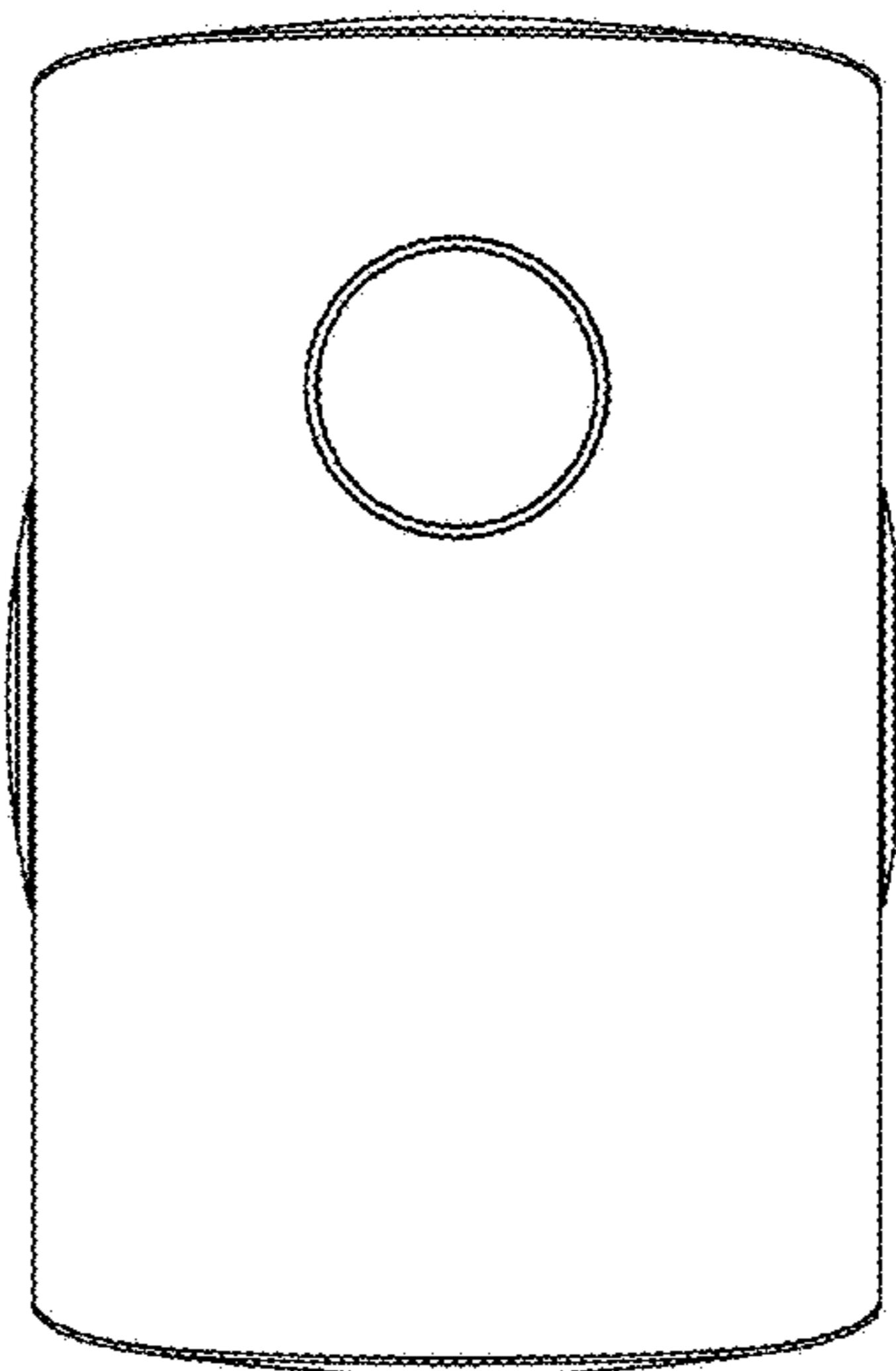


FIG. 3

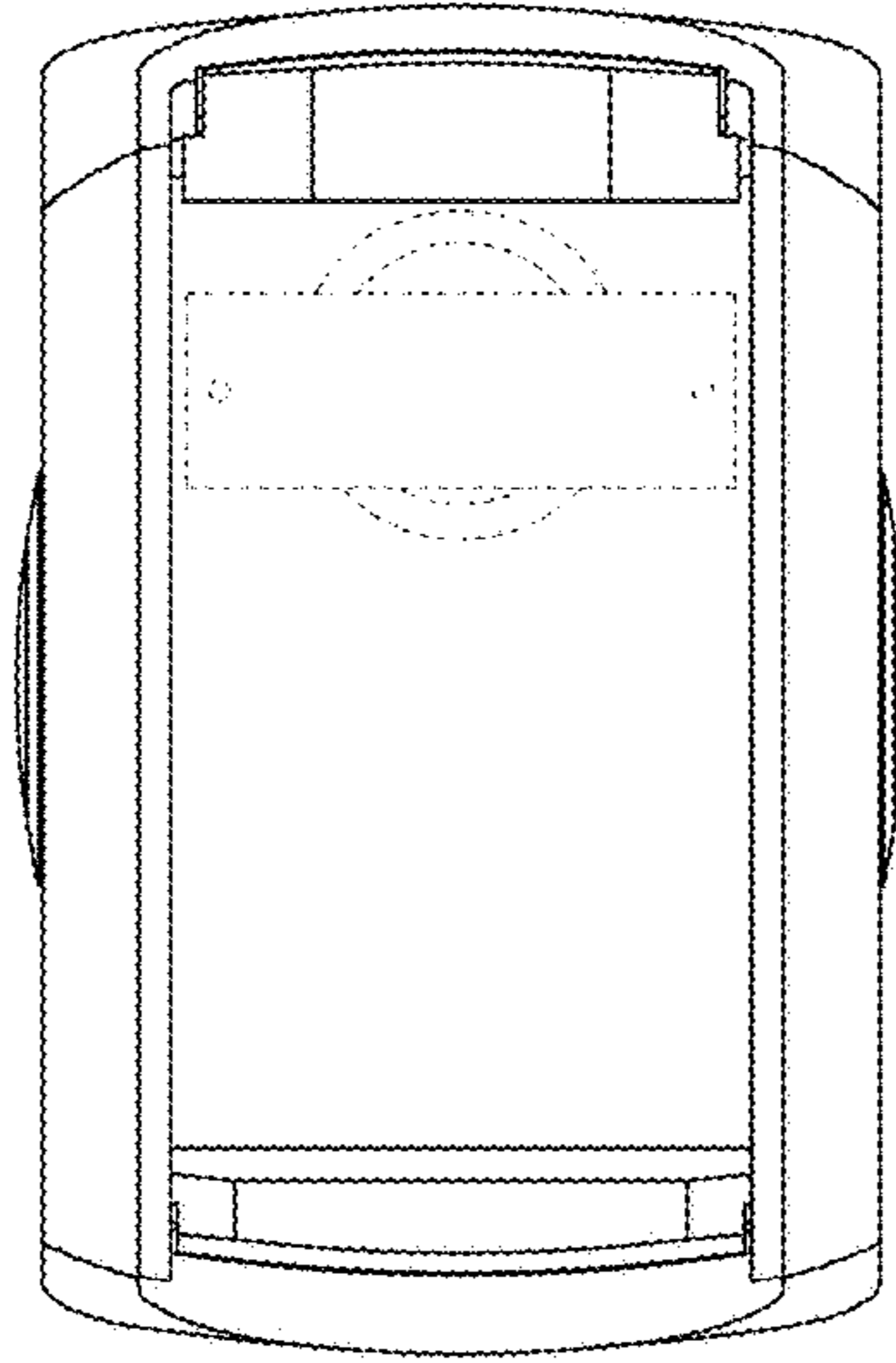


FIG. 4

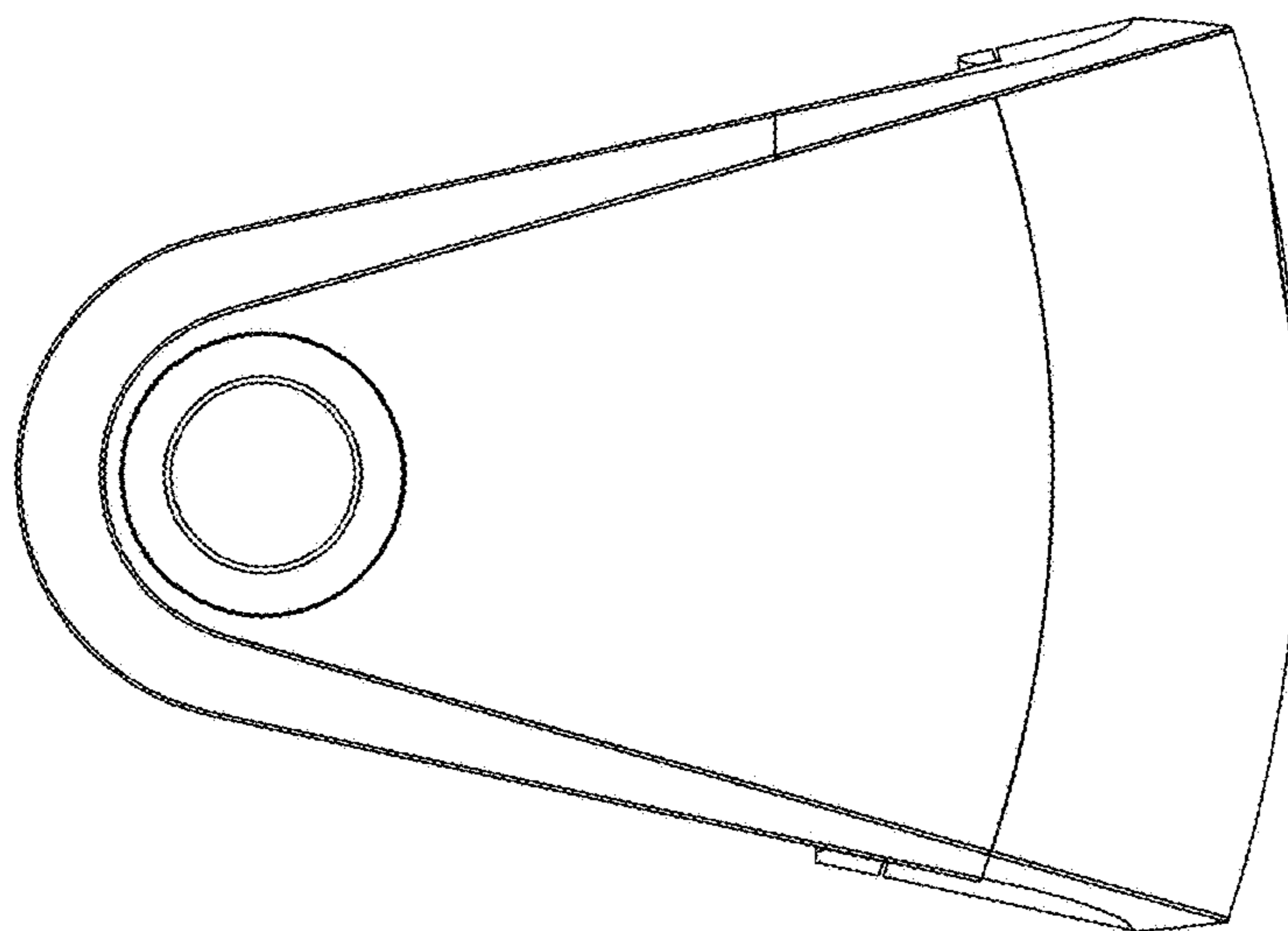


FIG. 5

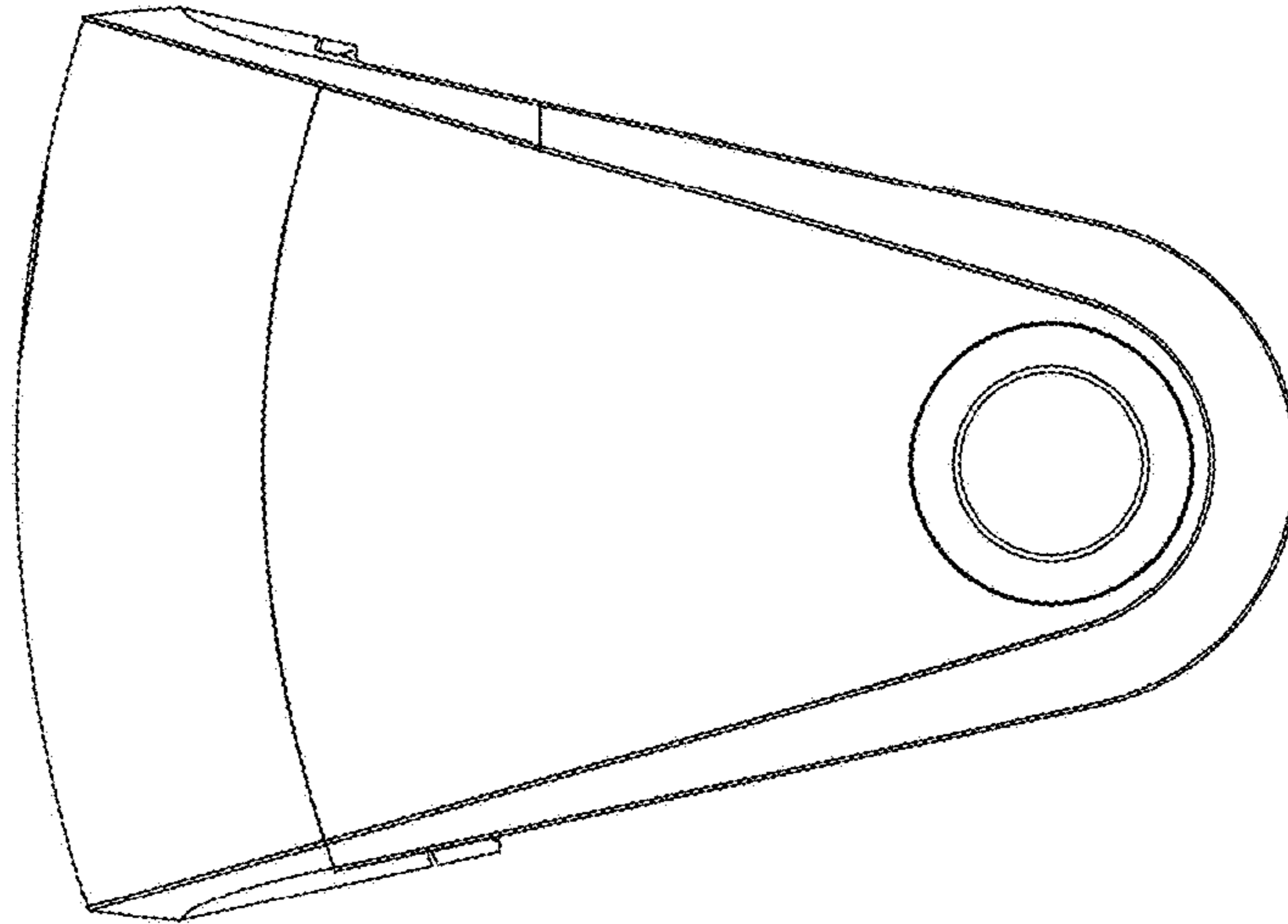


FIG. 6

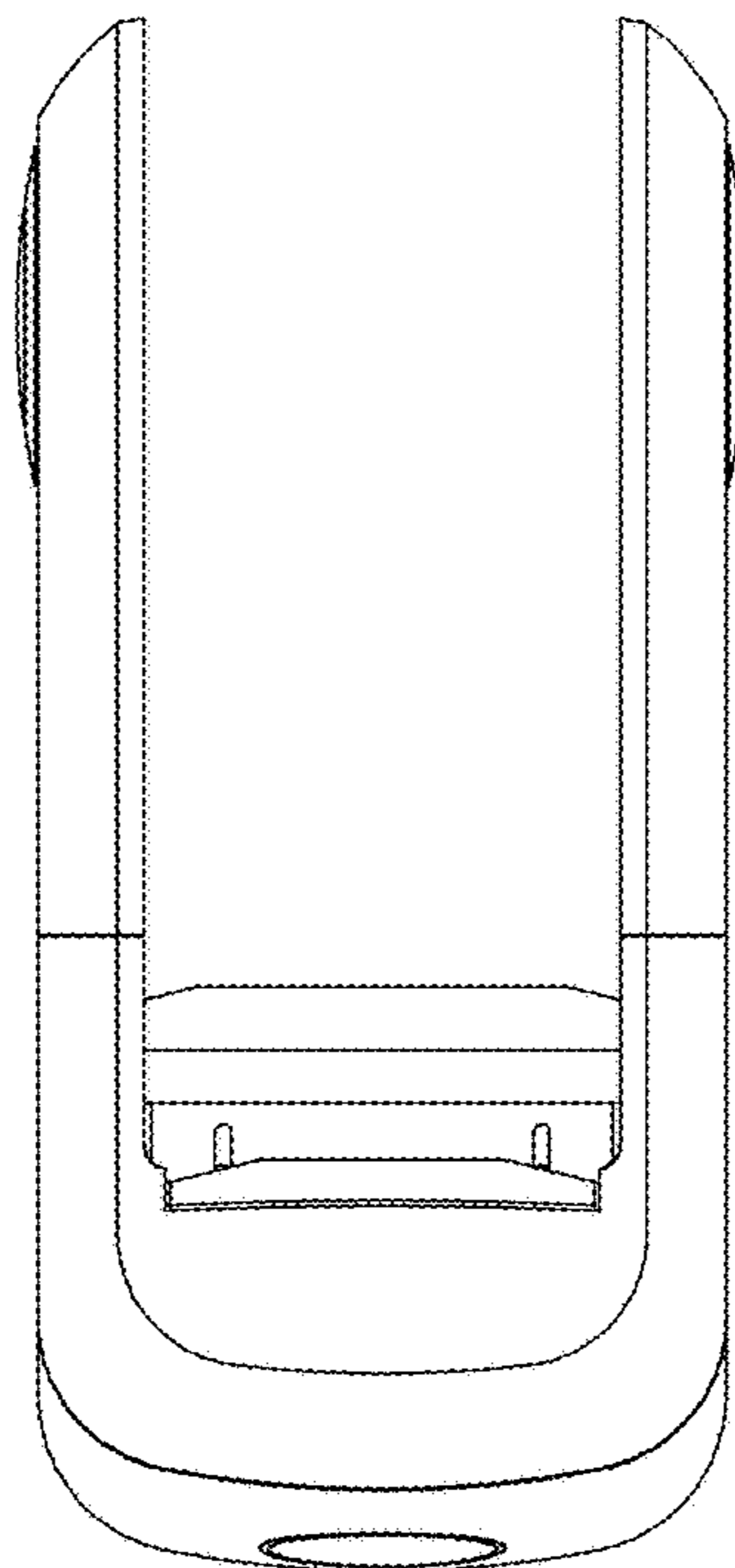


FIG. 7

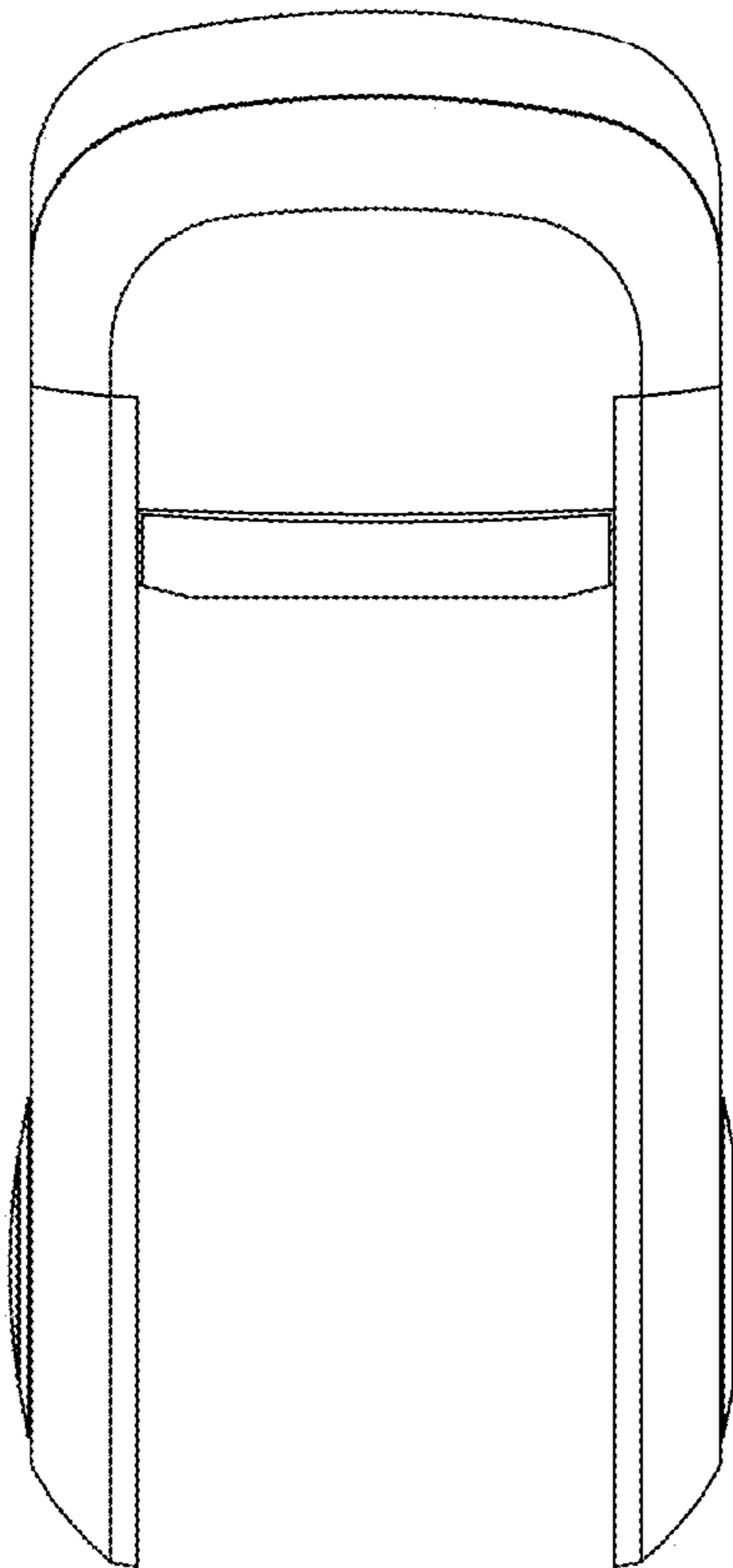


FIG. 8

