



US00D869810S

(12) **United States Design Patent** (10) **Patent No.:** **US D869,810 S**  
**Childress** (45) **Date of Patent:** **\*\* Dec. 10, 2019**

(54) **CART APPARATUS WITH A TOP SUPPORT HAVING A PLURALITY OF OPENINGS**

*Primary Examiner* — Cynthia Ramirez  
(74) *Attorney, Agent, or Firm* — McDonnell Boehnen Hulbert & Berghoff LLP

(71) Applicant: **The Boeing Company**, Chicago, IL (US)

(72) Inventor: **Jamie J. Childress**, Seattle, WA (US)

(57) **CLAIM**

The ornamental design for a cart apparatus with a top support having a plurality of openings, as shown and described.

(73) Assignee: **The Boeing Company**, Chicago, IL (US)

(\*\*) Term: **15 Years**

(21) Appl. No.: **29/648,443**

**DESCRIPTION**

(22) Filed: **May 21, 2018**

**Related U.S. Application Data**

(63) Continuation of application No. 14/944,534, filed on Nov. 18, 2015, now Pat. No. 10,005,482.

FIG. 1 is a front perspective view of a cart apparatus with a top support having a plurality of openings according to the design with a door in an open position;

(51) **LOC (12) Cl.** ..... **12-02**

(52) **U.S. Cl.**  
USPC ..... **D34/19**

FIG. 2 is a front perspective view thereof with containers fully disposed through each of the plurality of openings and through an intermediate support;

(58) **Field of Classification Search**  
USPC ..... D34/12-27

(Continued)

FIG. 3 is a front perspective view thereof with the door in an alternative closed position and with a container partially disposed through one of the plurality of openings;

(56) **References Cited**

**U.S. PATENT DOCUMENTS**

D202,493 S \* 10/1965 Gribbens ..... D34/20

D238,300 S \* 12/1975 Klemms ..... D7/347

(Continued)

FIG. 4 is a front perspective view thereof with the door in an alternative closed position;

FIG. 5 is a front view thereof with the door in the alternative closed position of FIG. 4;

FIG. 6. is a rear view thereof with the door in the alternative closed position of FIG. 4;

FIG. 7 is a right side view thereof with the door in the alternative closed position of FIG. 4;

FIG. 8 is a left side view thereof with the door in the alternative closed position of FIG. 4;

FIG. 9 is a top view thereof with the door in the alternative closed position of FIG. 4; and,

FIG. 10 is a bottom view thereof with the door in the alternative closed position of FIG. 4.

The broken lines in the figures showing an intermediate support, shelf brackets, containers, a door knob, door trim and wheels are to show environment and form no part of the claimed design.

**FOREIGN PATENT DOCUMENTS**

FR 2877551 A1 5/2006

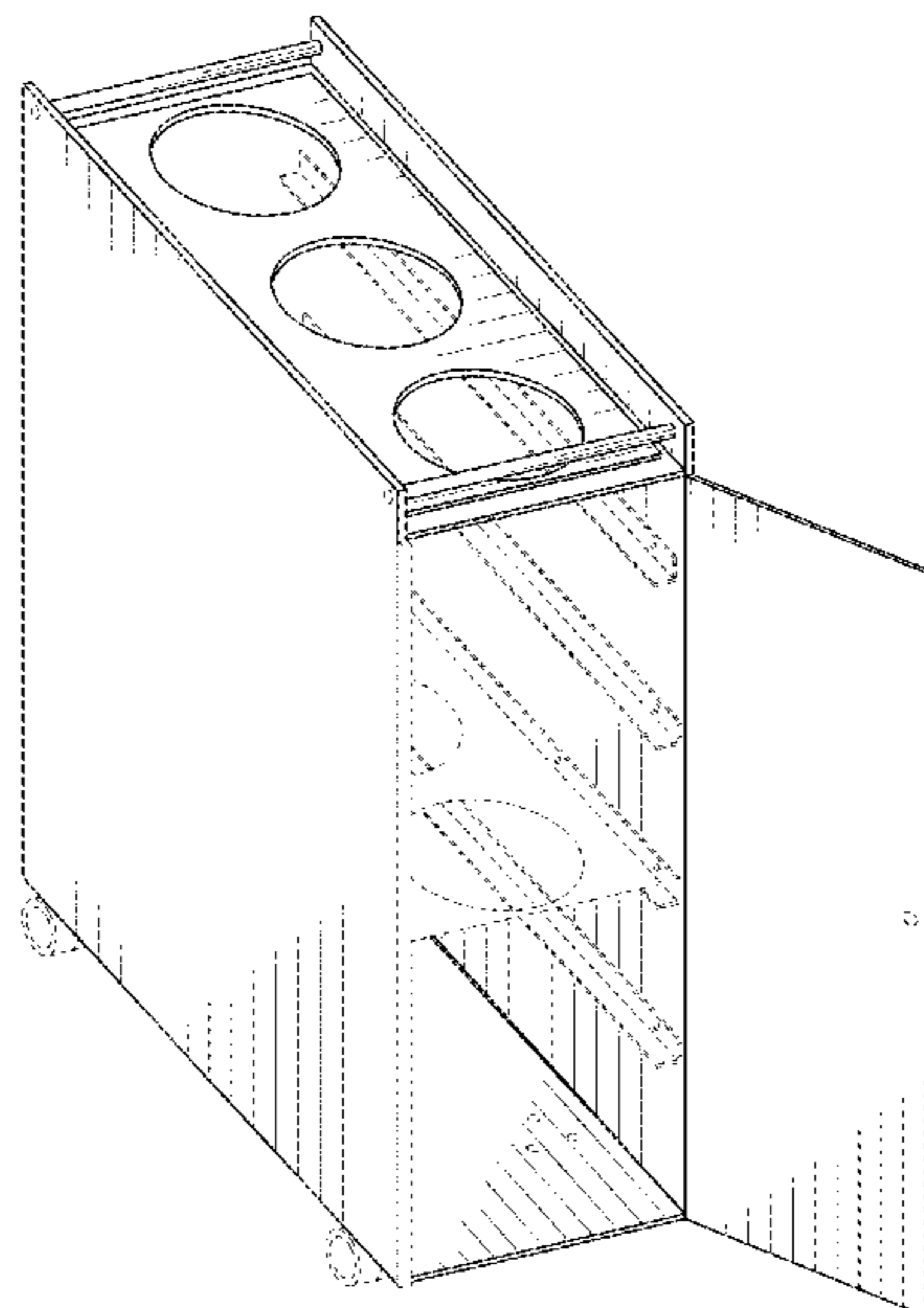
WO 2007149468 A2 12/2007

WO 2012030881 A1 3/2012

**OTHER PUBLICATIONS**

European Patent Office, Extended European Search Report dated Mar. 29, 2017, issued in connection with EP Application No. 16180962.9, 8 pages.

**1 Claim, 8 Drawing Sheets**



# US D869,810 S

Page 2

(58) **Field of Classification Search**

CPC ..... B62B 3/003; B62B 3/004; B62B 3/005;  
B62B 3/006; B62B 3/10; B62B 3/108;  
B62B 2204/06

See application file for complete search history.

(56) **References Cited**

U.S. PATENT DOCUMENTS

5,096,086 A 3/1992 Crema  
5,174,468 A 12/1992 Holderman  
5,238,139 A 8/1993 Bisceglia  
5,873,643 A 2/1999 Burgess, Jr.  
6,000,323 A 12/1999 Schlegel  
6,034,355 A \* 3/2000 Naderi ..... A47J 27/004  
219/386  
6,102,219 A 8/2000 Wang  
6,234,498 B1 \* 5/2001 Saku ..... A47B 31/00  
280/47.34  
7,204,407 B2 4/2007 Laher  
D647,272 S \* 10/2011 Boivin ..... D34/19  
8,550,284 B1 10/2013 Morad et al.  
8,840,122 B1 \* 9/2014 Cummins ..... B62B 3/005  
280/47.35  
8,944,274 B2 2/2015 Madrid  
D821,675 S \* 6/2018 Burns ..... D34/5  
10,005,482 B2 \* 6/2018 Childress ..... B62B 3/004  
D822,932 S \* 7/2018 Burns ..... D34/5

2004/0217238 A1 11/2004 Cochinov et al.  
2005/0193760 A1 \* 9/2005 Moran ..... F25D 11/003  
62/371  
2005/0218615 A1 \* 10/2005 Hu ..... B62B 3/006  
280/47.35  
2005/0285360 A1 \* 12/2005 Helin ..... A47B 31/00  
280/47.34  
2006/0055290 A1 \* 3/2006 Schalla ..... A47B 31/06  
312/223.1  
2007/0151308 A1 7/2007 Eisin  
2008/0116773 A1 \* 5/2008 Van Loon ..... A47B 31/00  
312/198  
2010/0090429 A1 \* 4/2010 Hartmann ..... B60P 7/08  
280/47.34  
2010/0140890 A1 \* 6/2010 Boivin ..... B62B 3/003  
280/47.34  
2010/0170287 A1 \* 7/2010 Boss ..... A47B 31/02  
62/441  
2011/0025006 A1 \* 2/2011 Knoppers ..... A47B 31/00  
280/47.34  
2014/0021690 A1 1/2014 Burd  
2015/0091421 A1 4/2015 Van Loon  
2015/0108888 A1 4/2015 Galimberti  
2015/0251758 A1 \* 9/2015 Vandyke ..... B62B 3/005  
280/47.35  
2017/0137048 A1 \* 5/2017 Childress ..... B62B 3/004  
2019/0062047 A1 \* 2/2019 Spille ..... B62B 3/003

\* cited by examiner

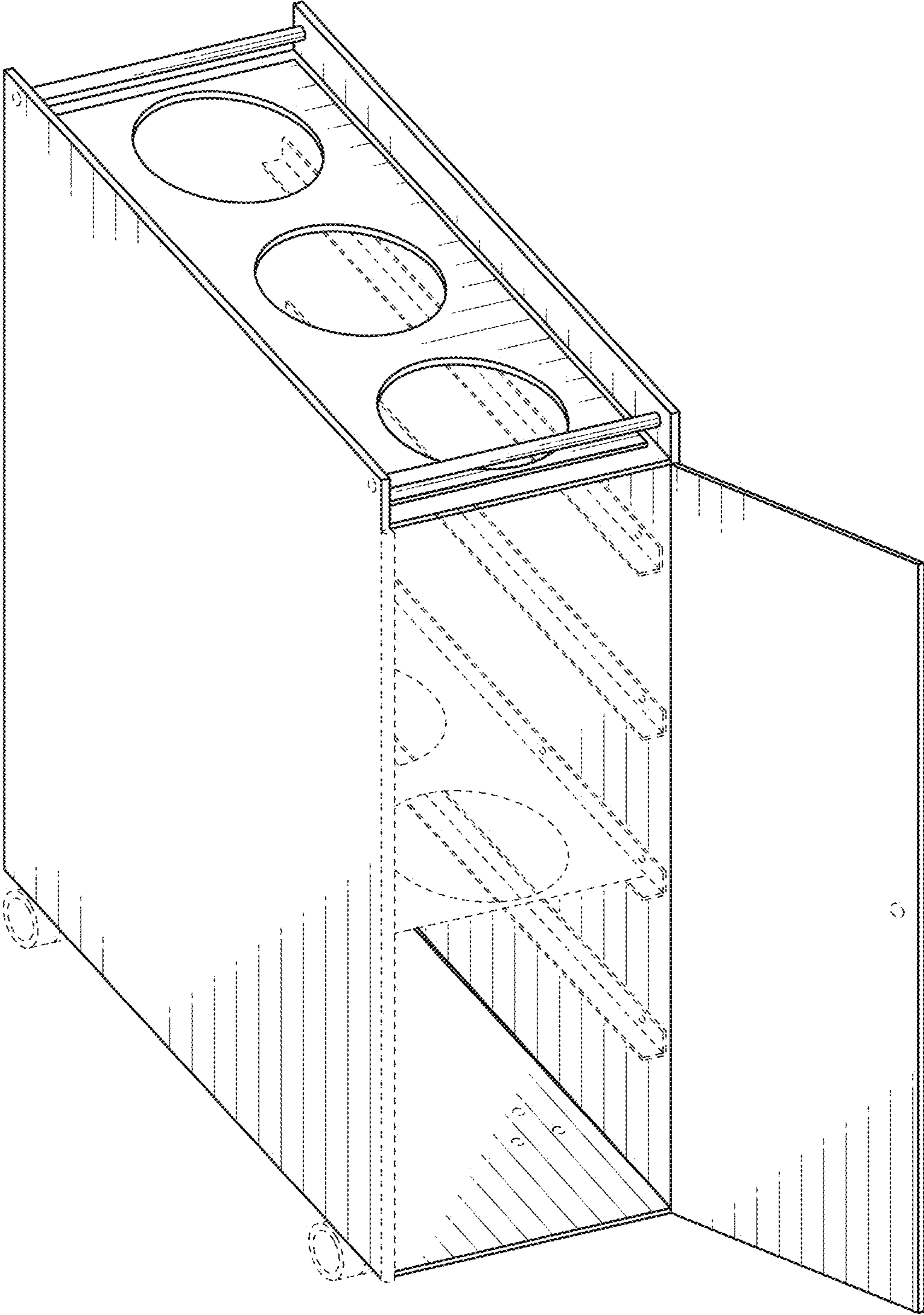


FIG. 1



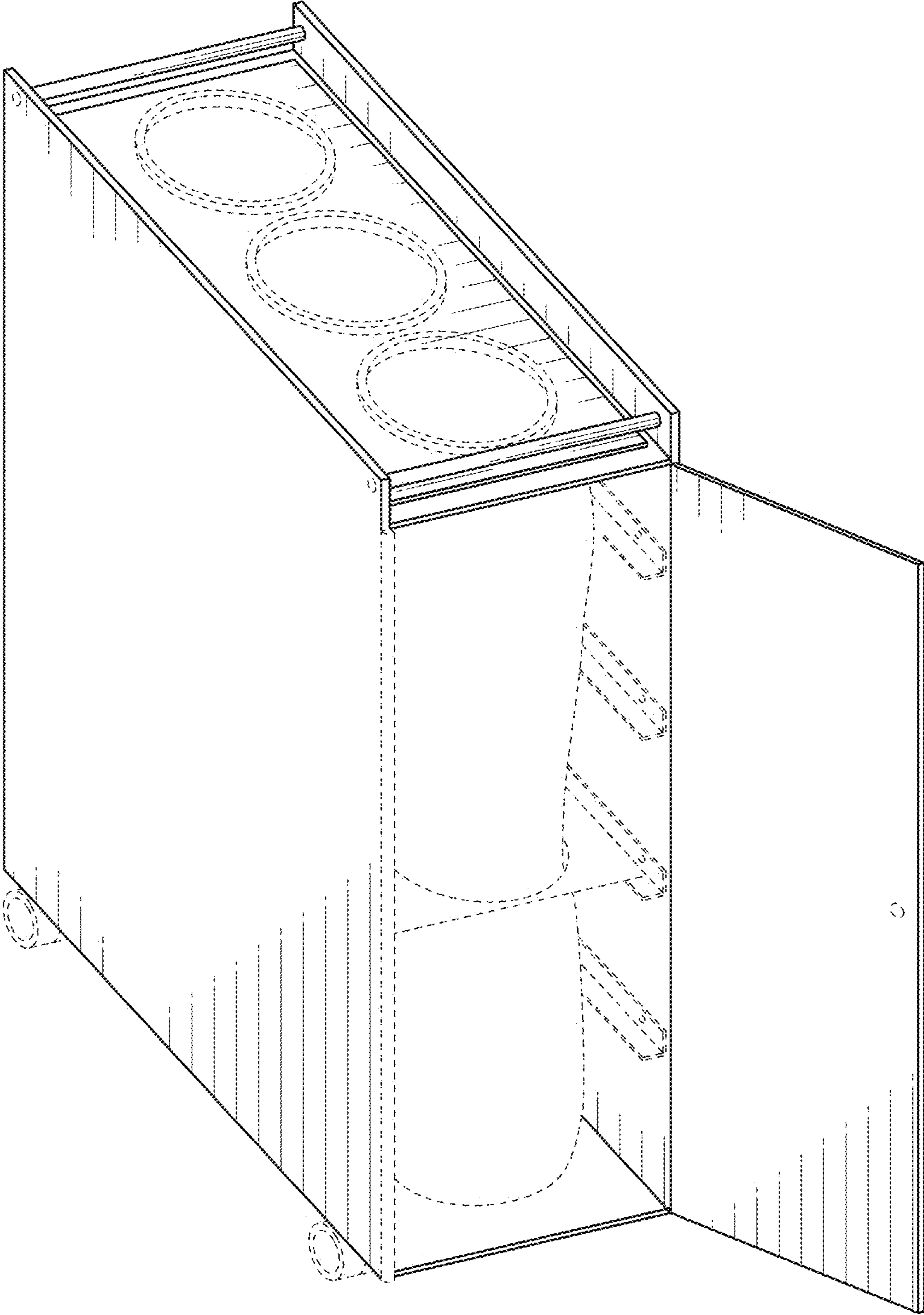


FIG. 2

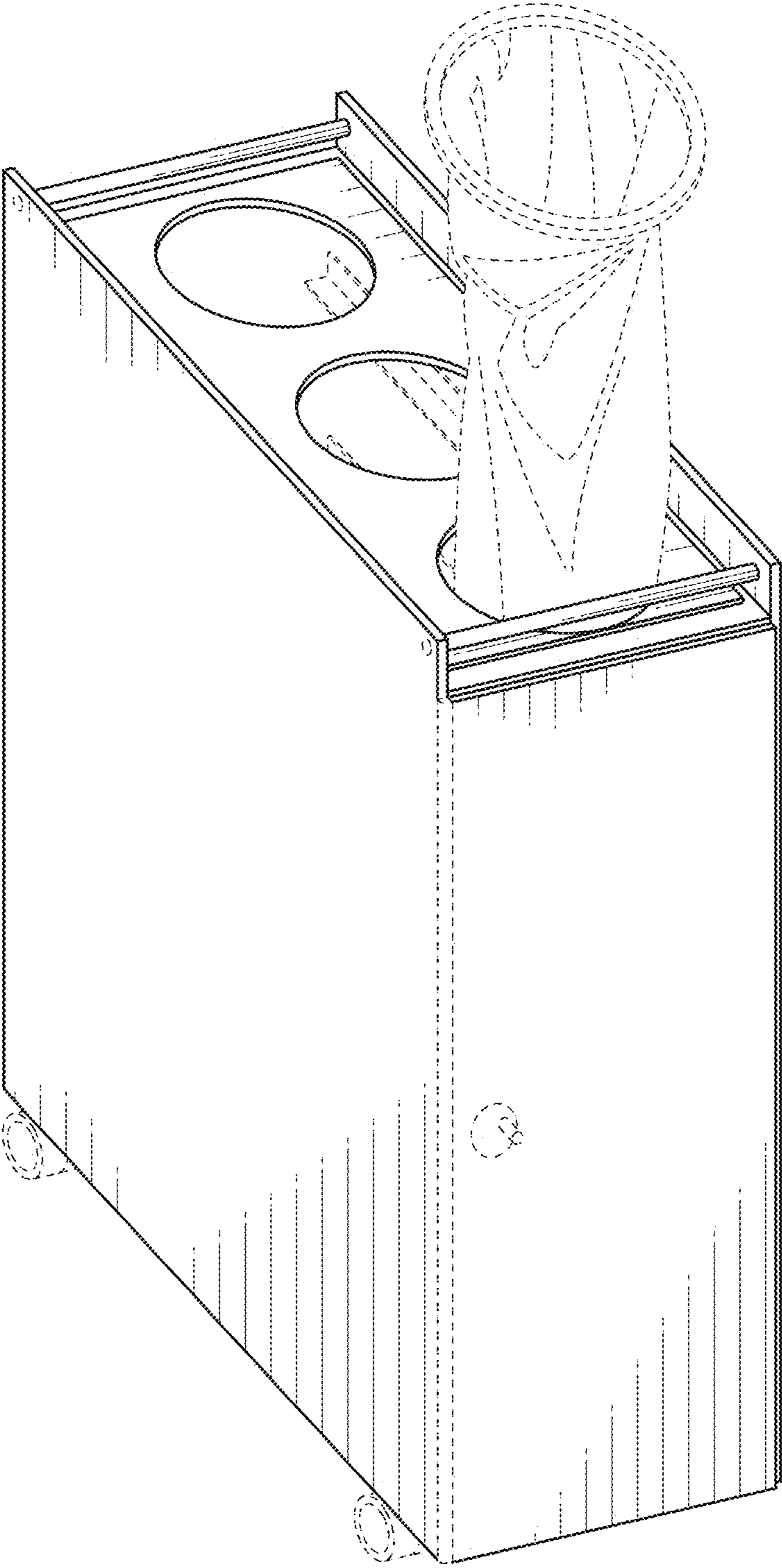


FIG. 3

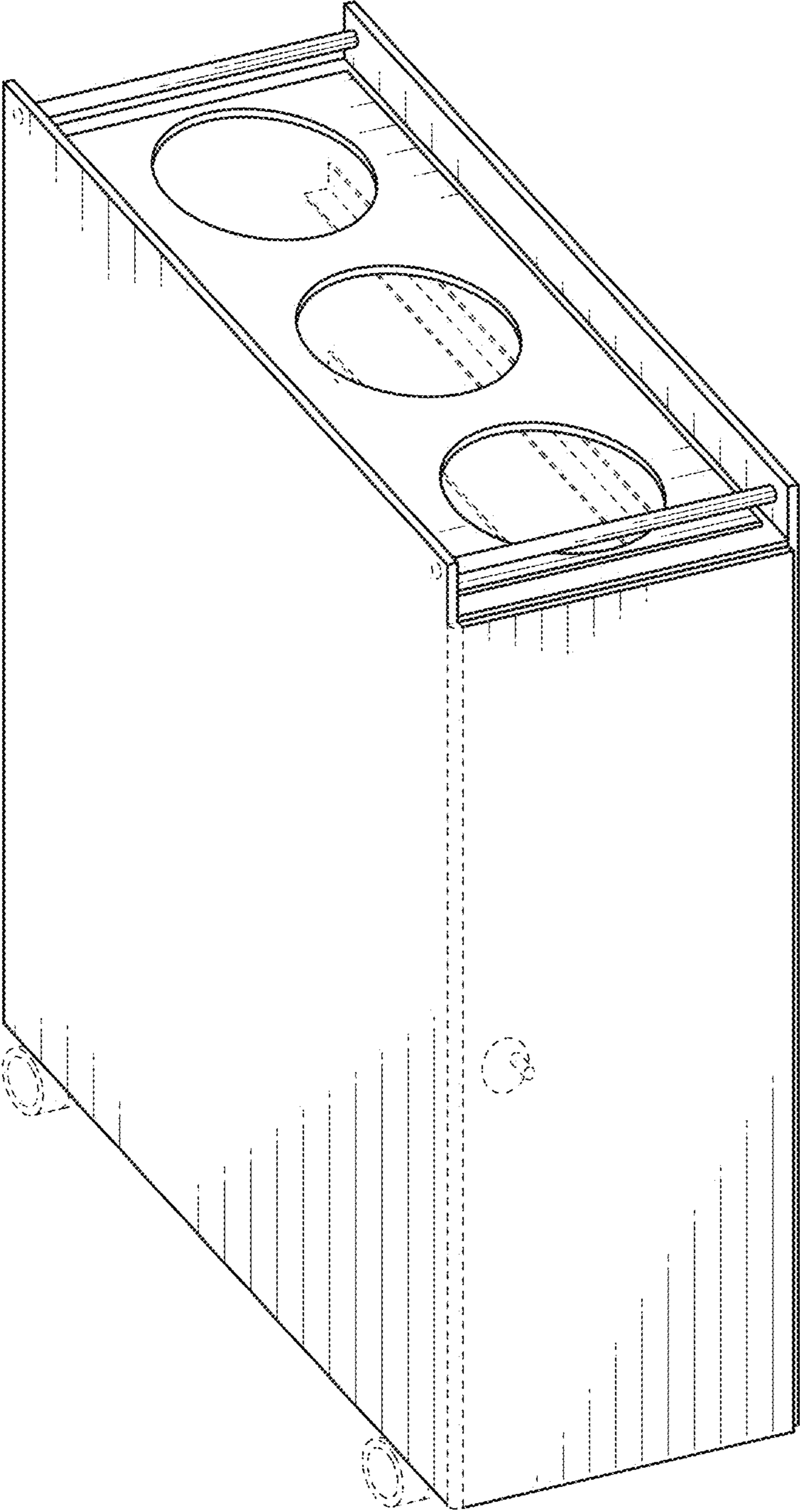


FIG. 4

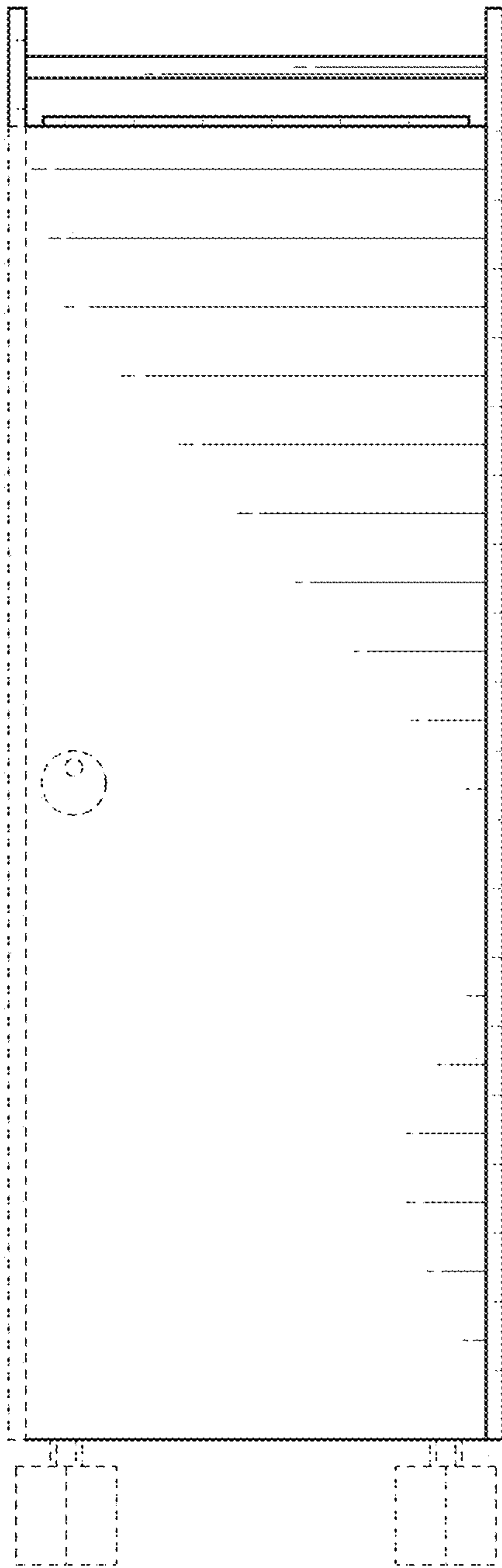


FIG. 5

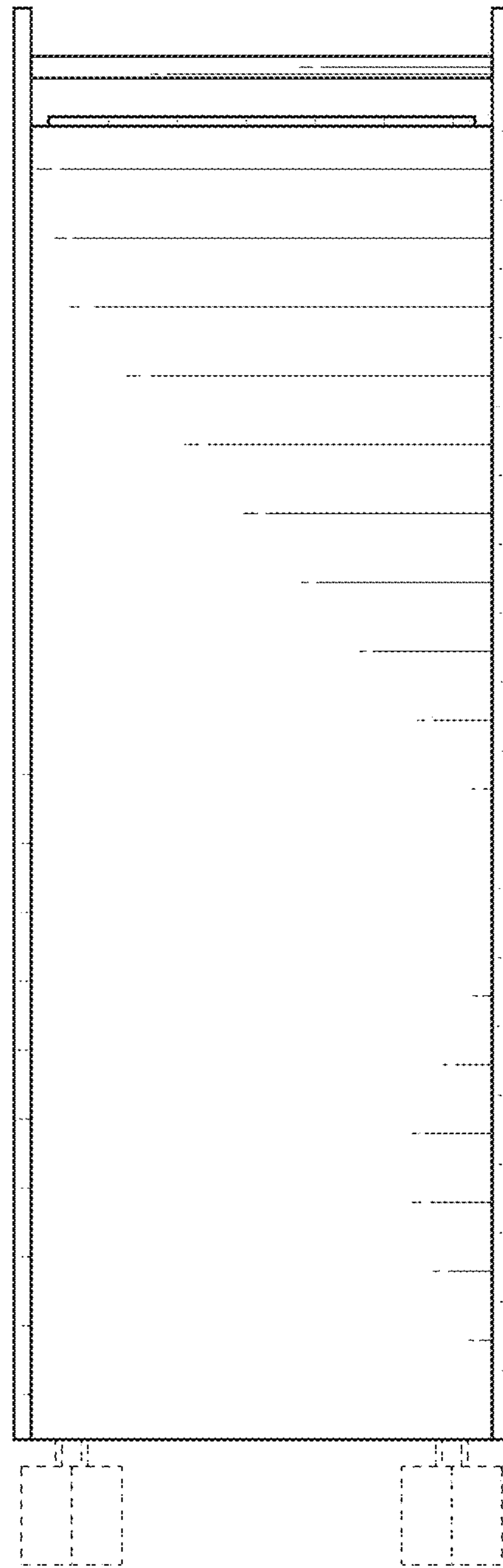


FIG. 6

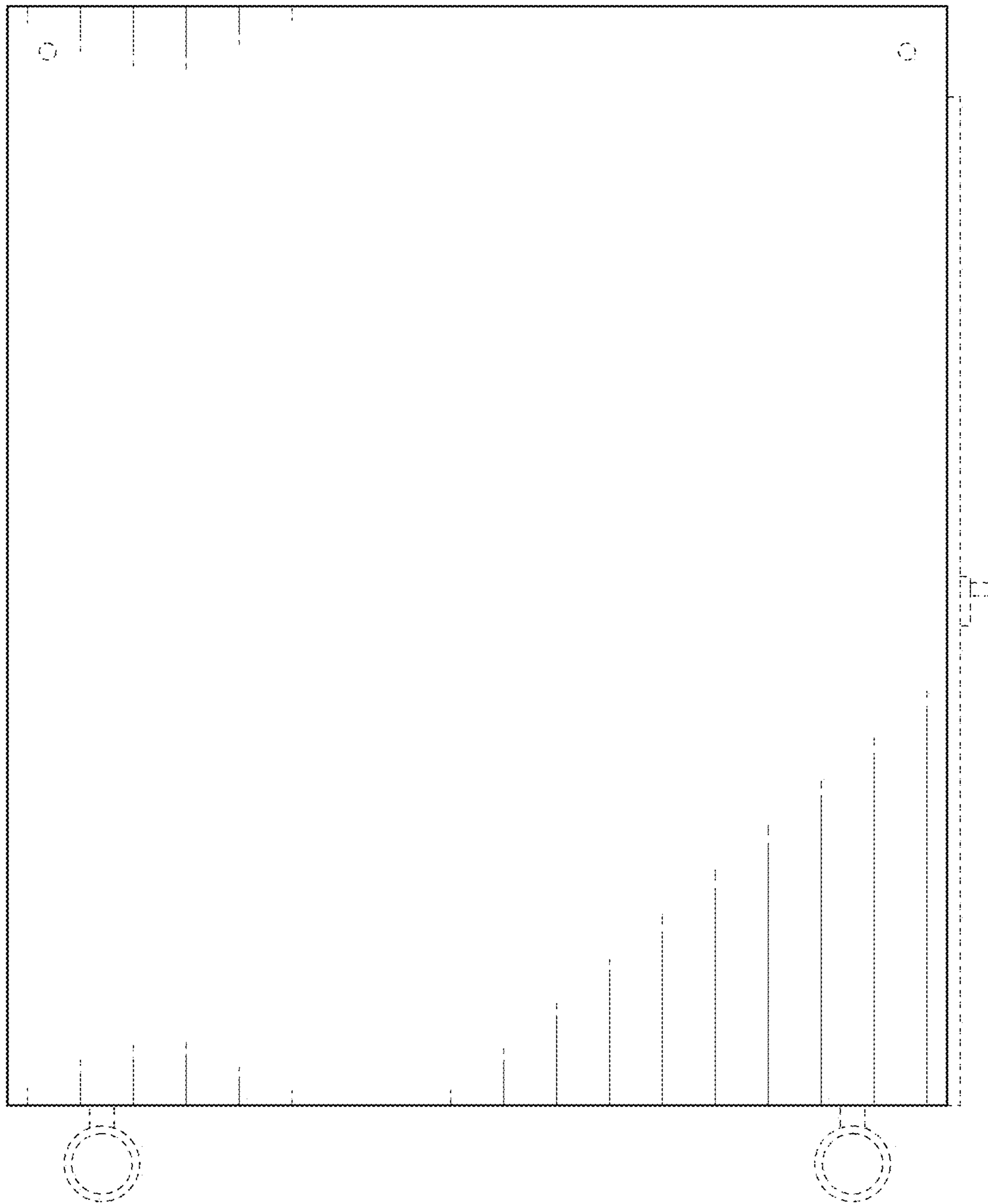


FIG. 7



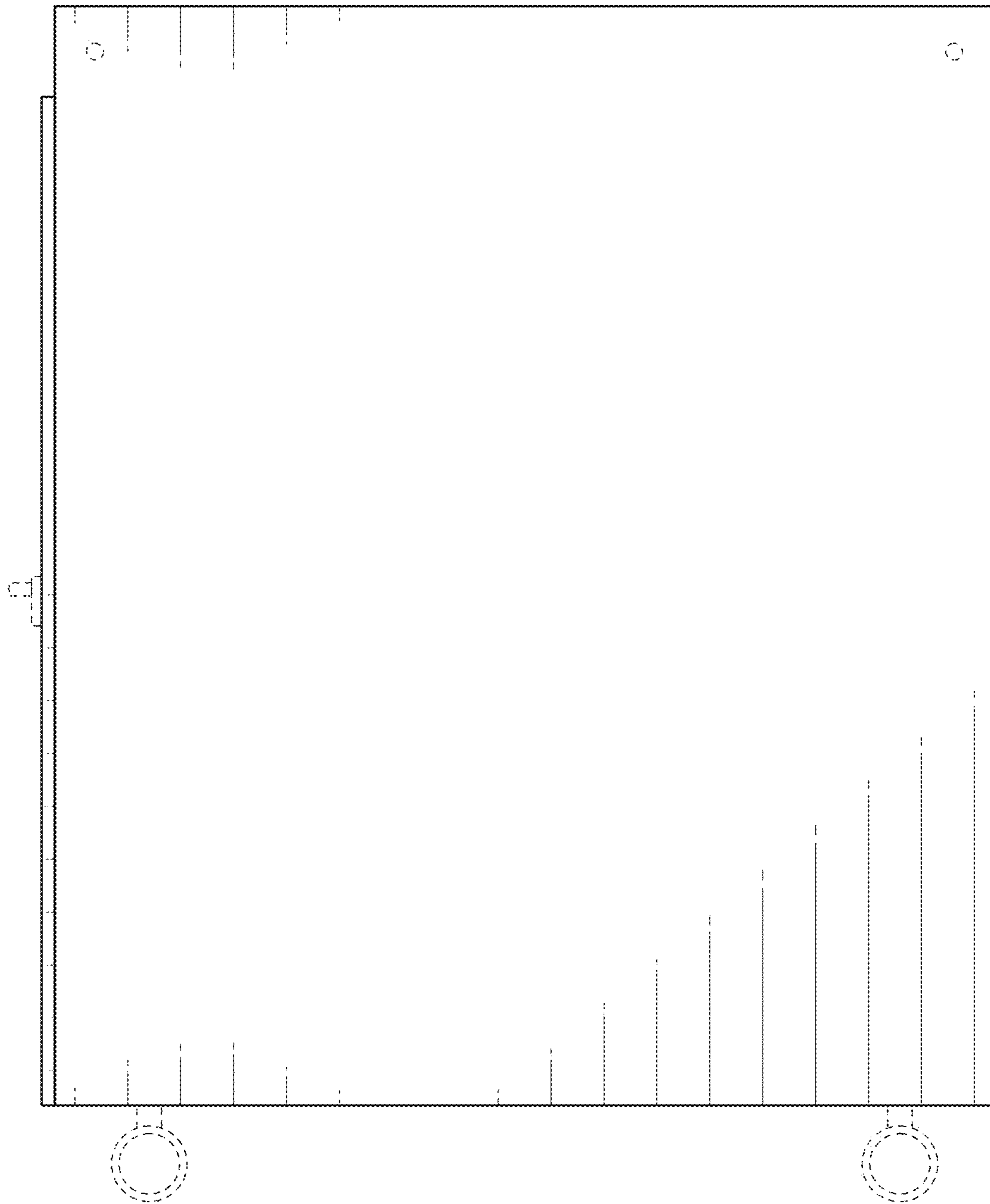


FIG. 8

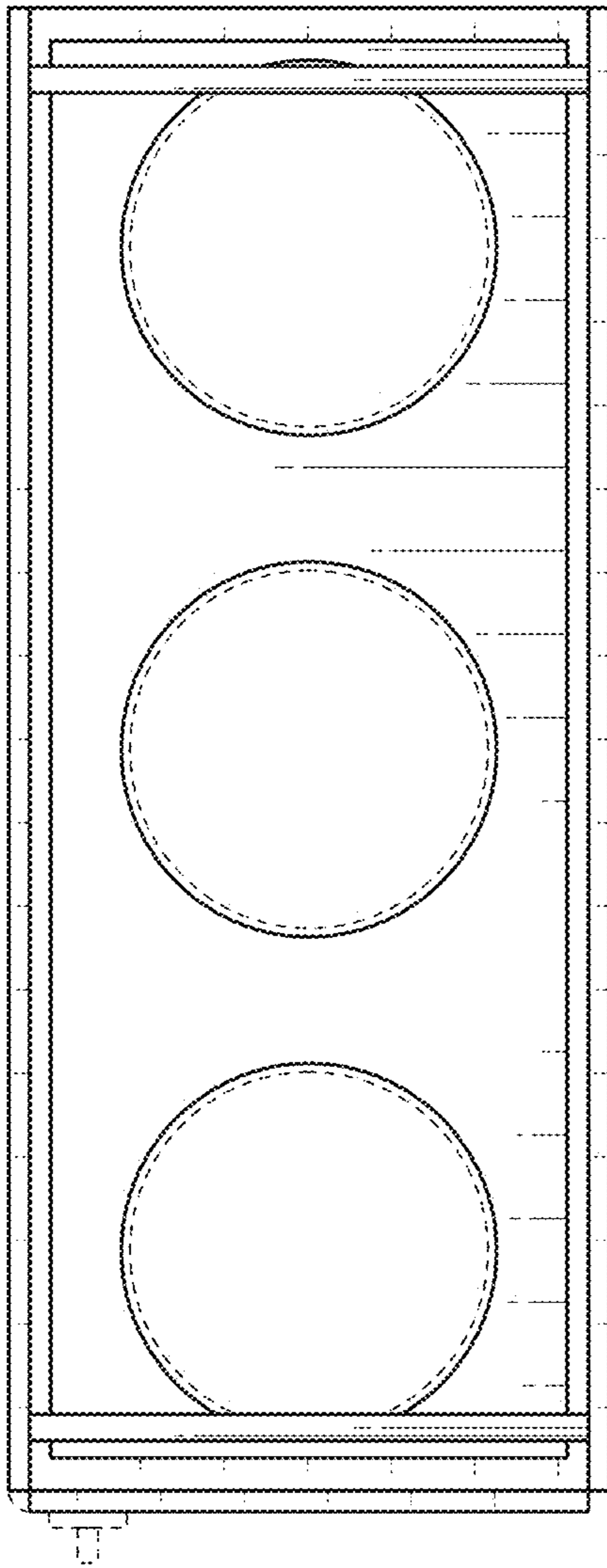


FIG. 9

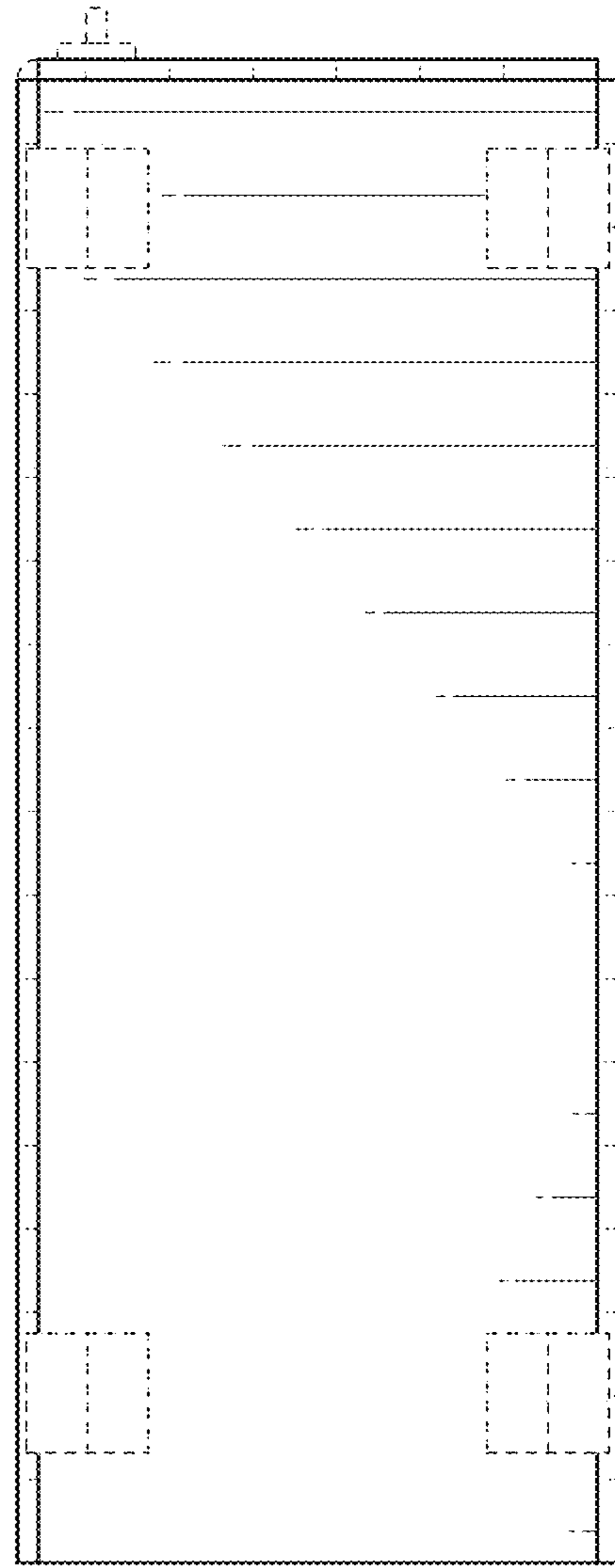


FIG. 10