



US00D869808S

(12) **United States Design Patent**
Khubani et al.

(10) **Patent No.:** **US D869,808 S**

(45) **Date of Patent:** **** Dec. 10, 2019**

(54) **GLASS CLEANING DEVICE**

(71) Applicant: **DaVinci II CSJ, LLC**, Fairfield, NJ
(US)

(72) Inventors: **Ajit Khubani**, Saddle River, NJ (US);
Damian Mucaro, Hackensack, NJ (US)

(73) Assignee: **DaVinci II CSJ, LLC**, Fairfield, NJ
(US)

(**) Term: **15 Years**

(21) Appl. No.: **29/682,048**

(22) Filed: **Mar. 1, 2019**

(51) **LOC (12) Cl.** **07-05**

(52) **U.S. Cl.**
USPC **D32/45**

(58) **Field of Classification Search**
USPC D32/38, 40-46, 50-53; D4/114, 115,
D4/138
CPC . A47L 7/00; A47L 13/22; A47L 17/04; A47L
13/12
See application file for complete search history.

(56) **References Cited**

U.S. PATENT DOCUMENTS

- 1,540,090 A * 6/1925 Shapiro A46B 11/0006
222/390
- 3,161,905 A * 12/1964 Dryden A47L 13/257
15/119.2
- D265,858 S 8/1982 Spirk
- D312,339 S * 11/1990 Nero, III D32/40
- D316,318 S 4/1991 Cheang
- D386,852 S 11/1997 Viner et al.
- D386,853 S * 11/1997 Koptis D32/45
- D441,538 S * 5/2001 Petner D4/138
- 6,438,787 B1 * 8/2002 Young A47K 7/028
15/143.1
- D480,189 S 9/2003 Libman et al.
- D515,758 S 2/2006 Turchi et al.

- D519,674 S * 4/2006 Chu D28/7
- 7,185,385 B2 * 3/2007 Kohler A45D 34/04
132/320
- D547,552 S * 7/2007 Borovicka D4/129
(Continued)

FOREIGN PATENT DOCUMENTS

- CN 3423967 2/2005
- CN 3500215 1/2006
(Continued)

OTHER PUBLICATIONS

Refillable Perfume Bottle Portable Travel Refillable Perfume, Jollychic website reviews 2018, <https://www.jollychic.com/p/empty-refillable-perfume-bottle-portable-travel-refillable-perf...> site visited Apr. 18, 2019.*

(Continued)

Primary Examiner — Eric L Goodman

Assistant Examiner — John R Yeh

(74) *Attorney, Agent, or Firm* — Cooper & Dunham LLP

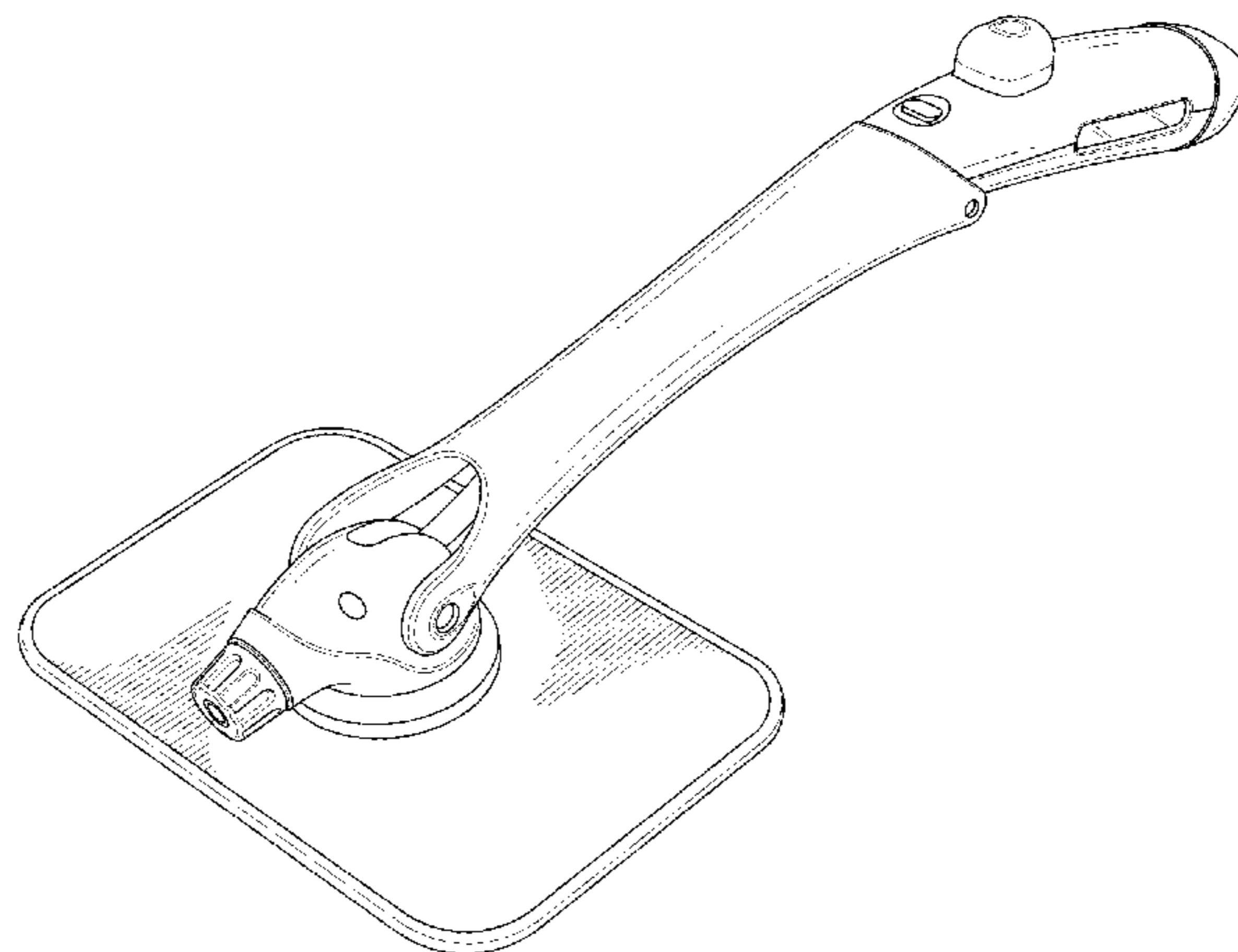
(57) **CLAIM**

The ornamental design for a glass cleaning device, as shown and described.

DESCRIPTION

FIG. 1 is a top perspective view of a glass cleaning device in accordance with the present design; FIG. 2 is a right side view thereof; FIG. 3 is a left side view thereof; FIG. 4 is a front view thereof; FIG. 5 is a back view thereof; FIG. 6 is a top view thereof; and, FIG. 7 is a bottom view thereof. The broken lines are included for illustrative purposes only and form no part of the claimed design. The shading represents contour of the claimed design.

1 Claim, 7 Drawing Sheets



(56)

References Cited

U.S. PATENT DOCUMENTS

D550,417 S * 9/2007 Froeschl D32/49
 D554,815 S 11/2007 Harper et al.
 7,555,802 B2 * 7/2009 Bohannon A46B 5/0095
 15/111
 D627,974 S * 11/2010 Chang D4/138
 D632,857 S 2/2011 Sgroi et al.
 D663,530 S * 7/2012 Duwa D4/121
 D669,274 S * 10/2012 Meurrens D32/35
 D677,031 S * 2/2013 Best D32/50
 D685,970 S * 7/2013 Williams D32/51
 D693,128 S * 11/2013 Williams D4/128
 D695,981 S * 12/2013 Myoung D32/46
 D715,058 S 10/2014 Roth et al.
 D753,354 S 4/2016 Casini
 9,408,517 B2 8/2016 Fitzpatrick
 D770,712 S 11/2016 Neumann
 9,675,209 B2 6/2017 Roth et al.
 D804,757 S * 12/2017 Campbell, Jr. D32/40
 D823,657 S * 7/2018 Scott D8/16
 D824,625 S 7/2018 Gooden
 D831,359 S * 10/2018 Jimenez D4/104
 2005/0207820 A1 * 9/2005 Franczak A47J 37/0786
 401/39
 2012/0180235 A1 * 7/2012 Libman A47L 13/12
 15/118
 2019/0021574 A1 * 1/2019 Krause A47L 17/04

FOREIGN PATENT DOCUMENTS

CN 3555676 8/2006
 CN 3570399 10/2006
 CN 3617501 3/2007
 CN 201208240 Y 4/2008
 CN 300800225 7/2008
 CN 300869064 1/2009
 CN 300878235 1/2009
 CN 301207066 5/2010
 CN 301210762 * 5/2010
 CN 301283014 7/2010
 CN 302700541 1/2014
 CN 302757927 3/2014
 CN 302941723 9/2014
 CN 303078598 4/2015
 CN 303269790 7/2015
 CN 303302382 7/2015
 CN 303732956 7/2016
 CN 303944658 11/2016
 CN 304361391 11/2017

CN 304512647 2/2018
 CN 304616308 5/2018
 CN 304765026 8/2018
 CN 304766258 8/2018
 CN 300872182 1/2019
 DM 031 590 12/1994
 DM 048 254 1/1999
 EM 000434741-0003 11/2010
 EM 001948001-0002 1/2019
 JP D1613609 6/2001
 KR 300240906.0000 4/1999
 KR 300922392.0000 9/2017

OTHER PUBLICATIONS

Quickie Non-Stick Dishwashing Brush-1241ZQK—The Home Depot reviews 2016, <https://www.homedepot.com/p/Quickie-Non-Stick-Dishwashing-Brush-1241ZQK/205352> . . . site visited Apr. 18, 2019.*
 Weegee 3 in 1 10.5" Window Cleaner Squeegee Tool Kit with Spray Bottle, Washable Microfiber Velcro Pad and Silicone Rubber Blade, found at <https://www.amazon.com/Weegee-Squeegee-Washable-Microfiber-Silicone/dp/B0YSDJGFQJ>.
 High quality One-piece design Multi-Function Water-Jet Windows For Cleaning Glass Windows Adjust the spray direct injection, found at <https://www.aliexpress.com/item/High-quality-One-piece-design-Multi-Function-Water-Jet-Windows-For-Cleaning-Glass-Windows-Adjust-the/32751231510.html>.
 DEDC Car Cleaning Tools Kit Windshield Cleaner Auto Glass Wiper with Washable Microfiber Wipes Cleaning Cloth 100ML Empty Spray Bottle Canvas Storage Pouch Set of 5, found at https://www.revelonline.com/index.php?main_page=product_info&products_id=434077.
 Car wash wiper windshield kitchen table & platform, found at <https://www.clasf.in/q/windshield-washer/>.
 Car cleaning—3 in1 car Windshield Glass Car Wiper Sponge With Water Sprayer Glass Cleaning, found at https://www.insasta.com/3-in1-Car-Windshield-Glass-Car-Wiper-Sponge-with-Water-Sprayer-Glass-cleaning?gclid=Cj0KCQiAvebhBRD5ARIsAIQUmnmM3eglqkUZ_TrcviE_uqD6qwcRiR1if5IEOw6tVLxTtyZnQS3EnzIaAqAcEALw_wcB.
 2 Mop Pads + 700ML Spray Mop Water Spraying Floor Cleaner, found at <https://www.kogan.com/au/buy/2-mop-pads-700ml-spray-mop-water-spraying-floor-cleaner-essentials/>.
 Wolf-Garten Window Washer, found at <https://www.robertdyas.co.uk/wolf-garten-window-washer>.
 Vileda Mop 1.2 Spray System, found at <https://www.wilko.com/en-uk/vileda-mop-12-spray-system/p/0304988>.

* cited by examiner

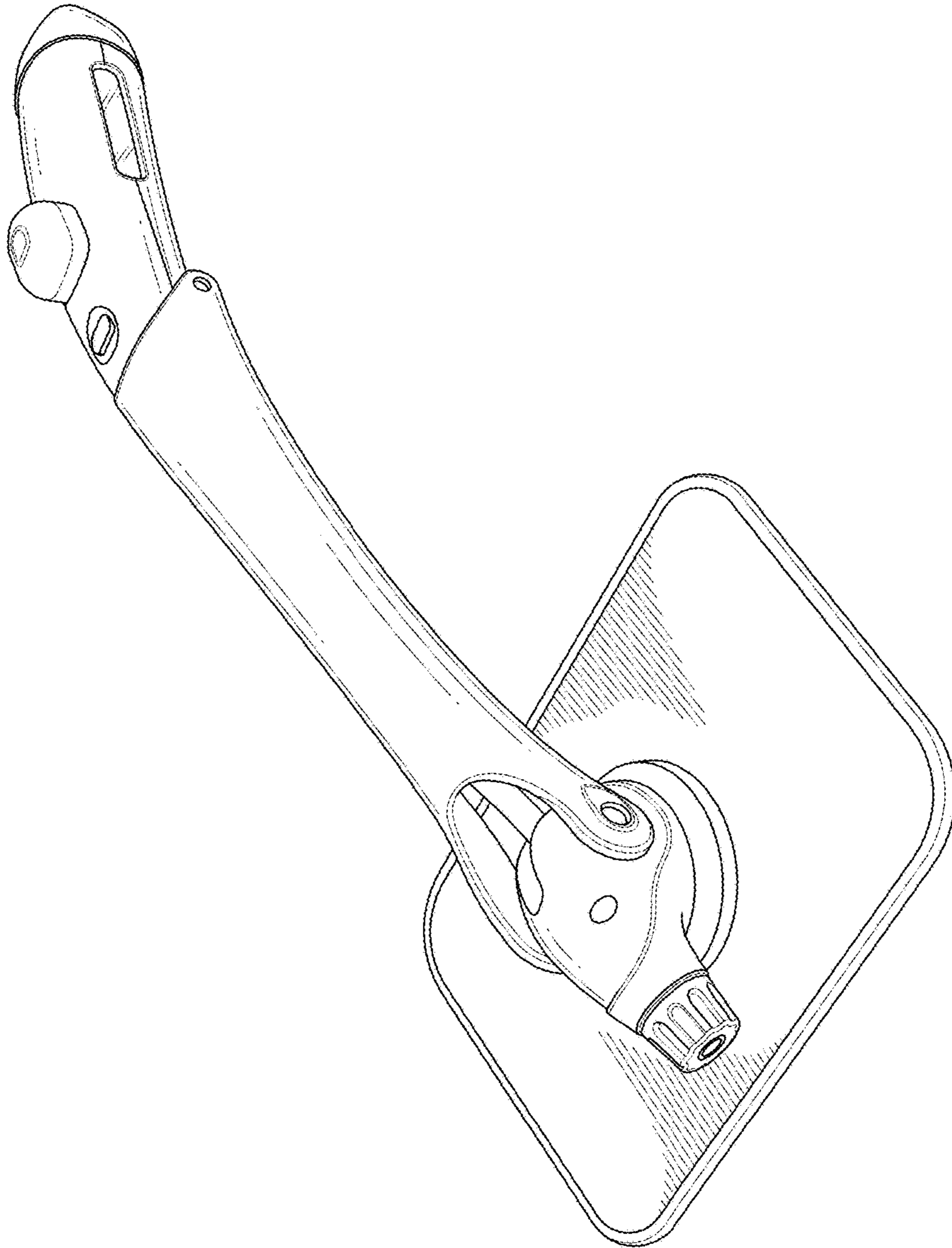


FIG.1

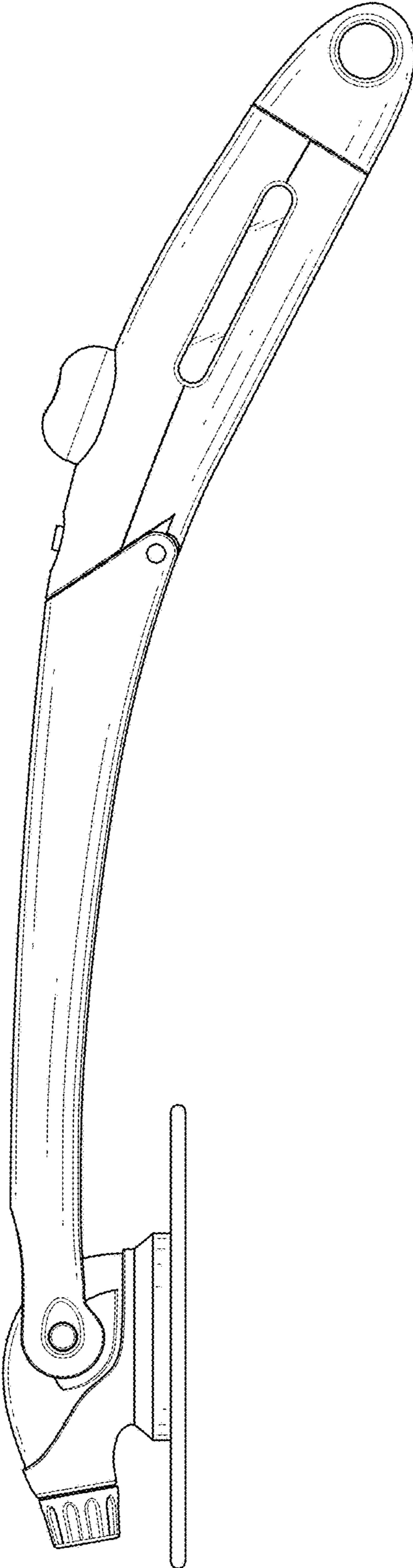


FIG. 2

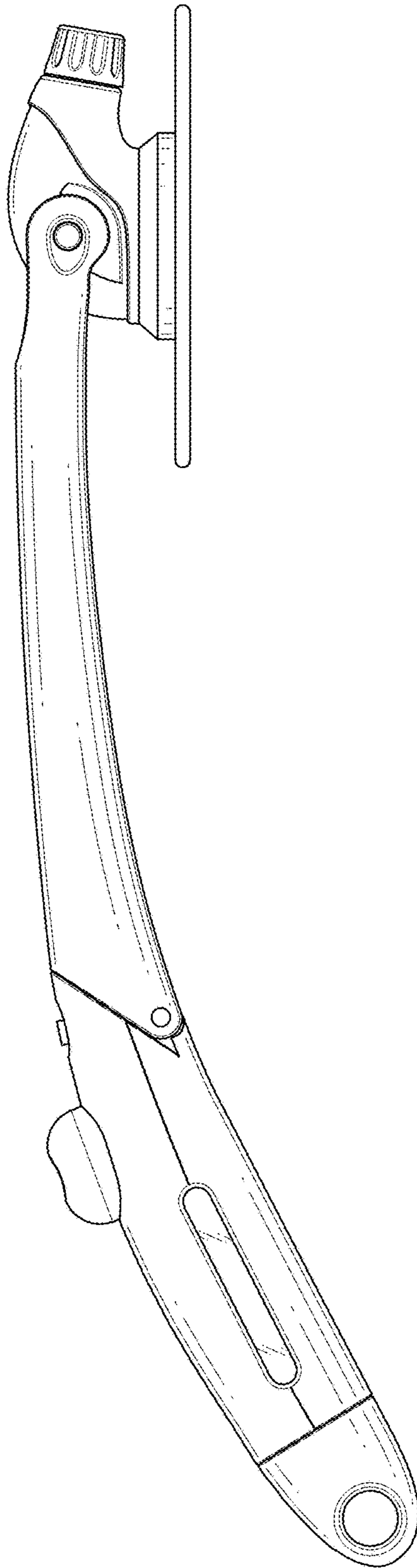


FIG. 3

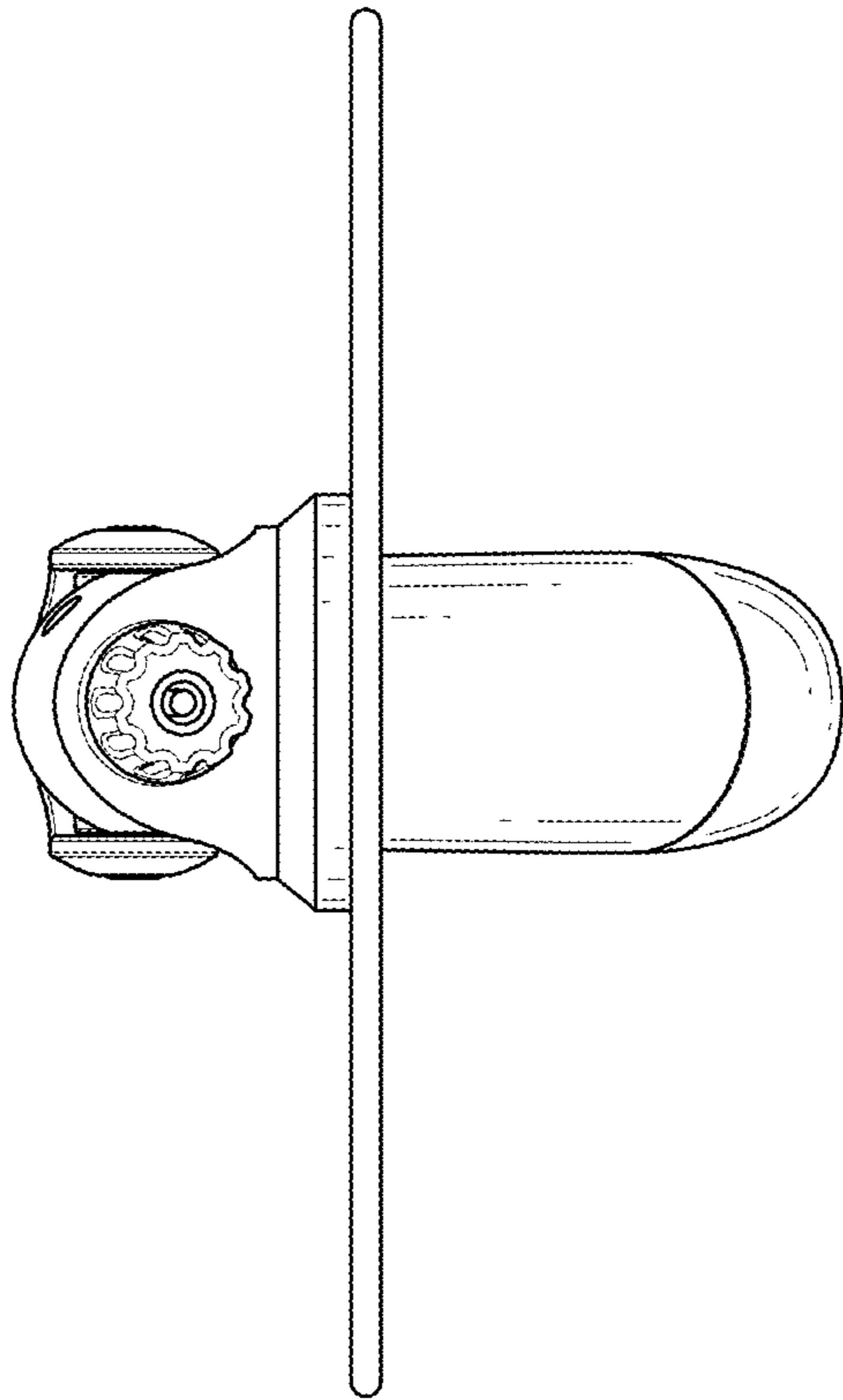


FIG. 4

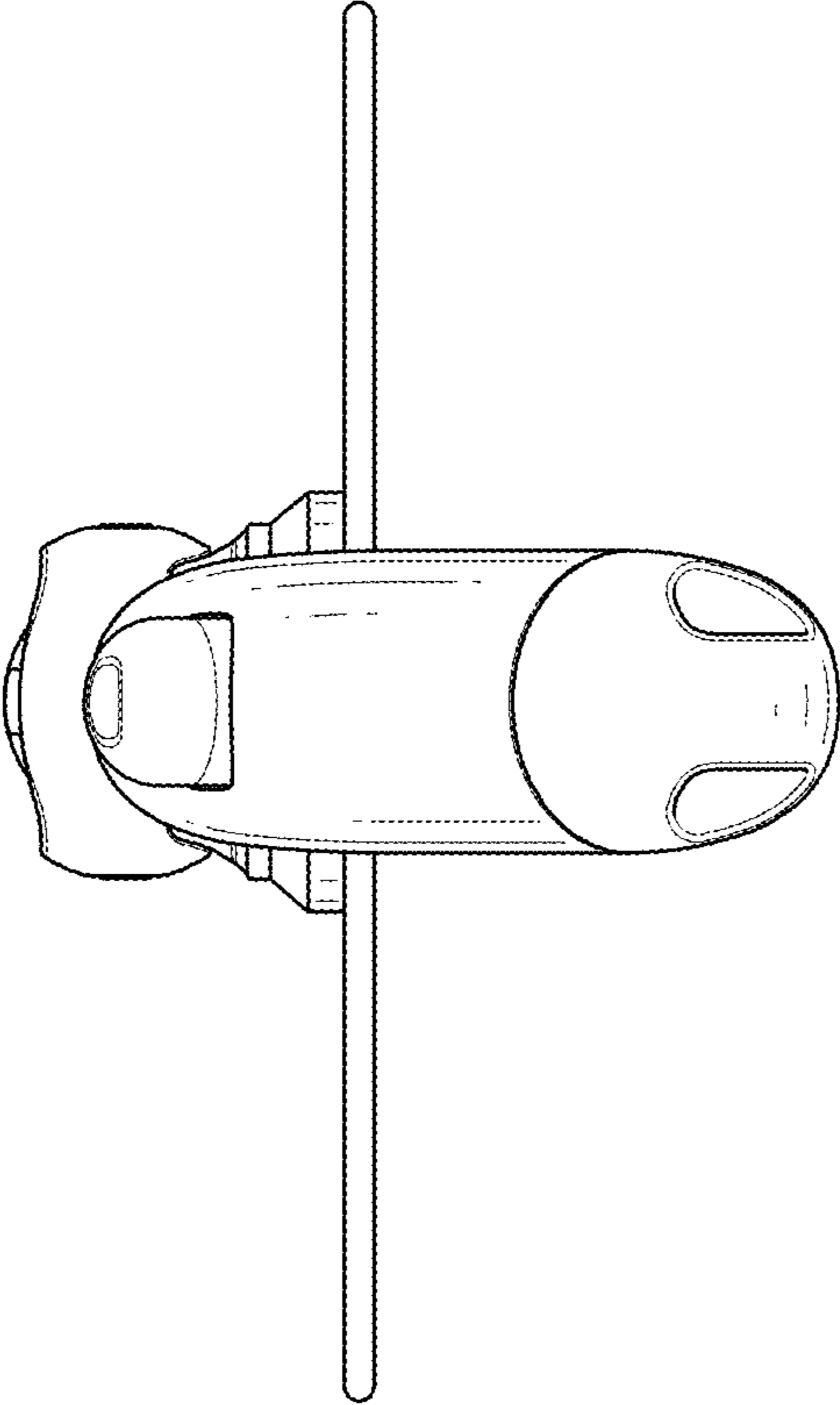


FIG. 5

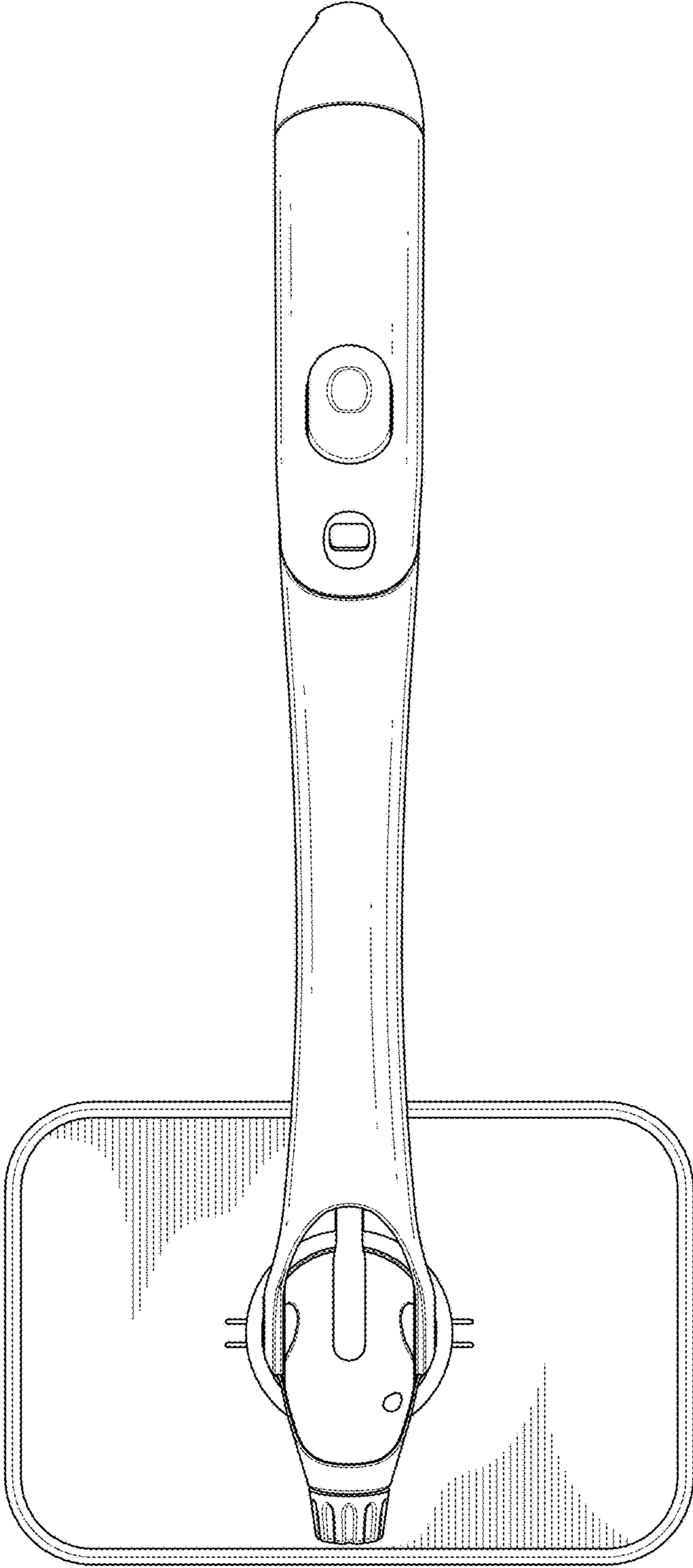


FIG. 6

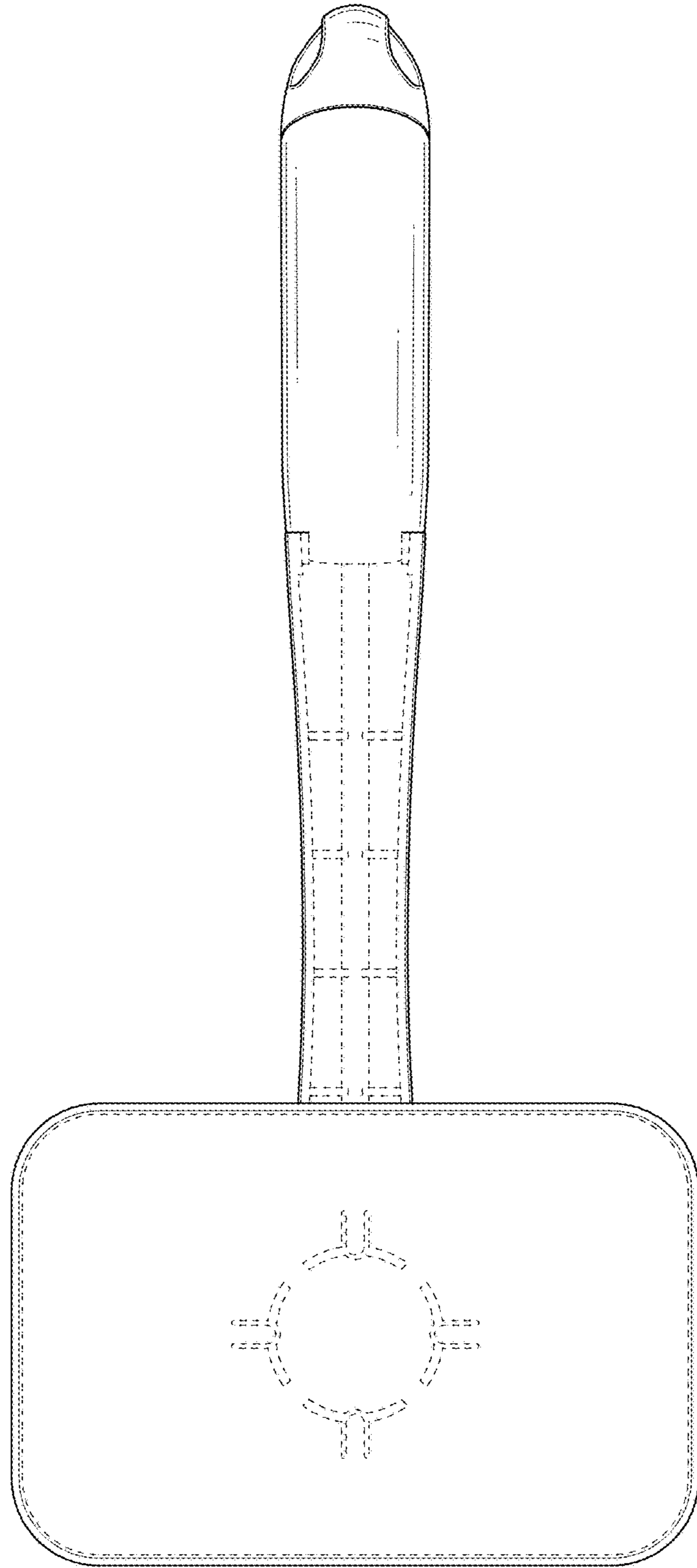


FIG. 7