

US00D869807S

(12) **United States Design Patent**  
**Pellegrino**

(10) **Patent No.:** **US D869,807 S**

(45) **Date of Patent:** **\*\* Dec. 10, 2019**

(54) **TILE AND GROUT CLEANING PAD**

(71) Applicant: **Leonard Pellegrino**, San Diego, CA  
(US)

(72) Inventor: **Leonard Pellegrino**, San Diego, CA  
(US)

(\*\*) Term: **15 Years**

(21) Appl. No.: **29/673,870**

(22) Filed: **Dec. 18, 2018**

**Related U.S. Application Data**

(63) Continuation-in-part of application No. 29/582,099,  
filed on Oct. 25, 2016, now Pat. No. Des. 836,276.

(51) **LOC (12) Cl.** ..... **07-05**

(52) **U.S. Cl.**  
USPC ..... **D32/40**

(58) **Field of Classification Search**  
USPC ..... D32/40-43, 46, 50-52; D21/414, 427  
CPC ..... A47L 13/12; A47L 13/16; A47L 13/20;  
A47L 1/06; A47L 13/17  
See application file for complete search history.

(56) **References Cited**

**U.S. PATENT DOCUMENTS**

- 823,725 A \* 6/1906 Hayden ..... A47L 13/12  
15/106
- 2,238,432 A \* 4/1941 Myers ..... A47L 13/20  
139/383 R
- 3,246,356 A \* 4/1966 Sorrells ..... A47L 13/252  
139/385
- 3,324,497 A \* 6/1967 Moss ..... A47L 13/252  
15/229.2
- D274,098 S 5/1984 Kaufman
- 4,679,859 A \* 7/1987 Wilson ..... A47L 13/20  
15/104.94
- 5,522,110 A 6/1996 Borofsky
- 5,560,070 A \* 10/1996 Reaume ..... A47L 13/20  
15/210.1

D401,099 S 11/1998 Pawson et al.  
5,887,311 A \* 3/1999 Kresse ..... A47L 13/20  
15/228

D417,117 S 11/1999 Gerke  
6,023,809 A \* 2/2000 Demetriades ..... A47L 13/20  
15/229.1

(Continued)

**FOREIGN PATENT DOCUMENTS**

JP D1215425 \* 8/2004  
JP D144977 \* 6/2012

**OTHER PUBLICATIONS**

Amazon.com: Grout Genie—Grout and Tile Cleaning Pad, reviews  
2018, <https://www.amazon.com/Grout-Genie-Cleaning-Swiffer-WetJet/dp/B01MXE5N0H#customerReviews>, site visited Jun. 10,  
2019.\*

*Primary Examiner* — Eric L Goodman

*Assistant Examiner* — John R Yeh

(74) *Attorney, Agent, or Firm* — Gary L. Eastman, Esq.;  
Eastman McCartney Dallmann LLP

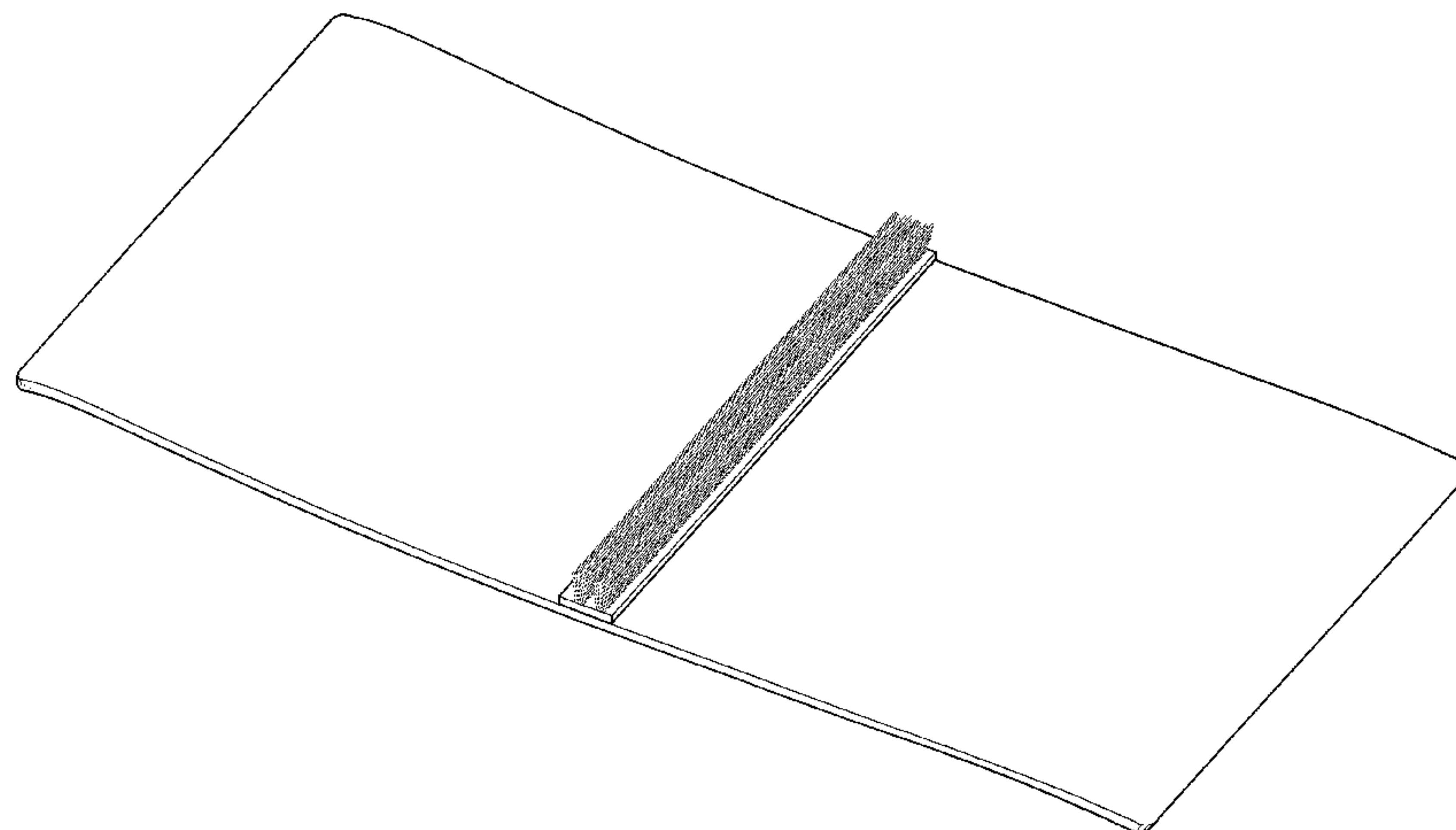
(57) **CLAIM**

The ornamental design for a tile and grout cleaning pad, as  
shown and described.

**DESCRIPTION**

FIG. 1 is a top perspective view of the tile and grout cleaning  
pad showing my new design;  
FIG. 2 is a top plan view thereof;  
FIG. 3 is a bottom plan view thereof;  
FIG. 4 is a front elevational view thereof;  
FIG. 5 is a back elevational view thereof;  
FIG. 6 is a right side elevational view thereof; and,  
FIG. 7 is a left side elevational view thereof.  
The broken lines in the figures represent portions of the tile  
and grout cleaning pad that form no part of the claimed  
design.

**1 Claim, 5 Drawing Sheets**



(56)

References Cited

U.S. PATENT DOCUMENTS

D474,031	S	5/2003	Wassil et al.	
6,842,936	B2	1/2005	Policicchi et al.	
D523,274	S	6/2006	Miyoshi	
7,234,194	B2 *	6/2007	Tanaka .....	A47L 13/20 15/229.3
D549,030	S	8/2007	Kessler et al.	
D551,408	S	9/2007	Pung et al.	
D559,486	S *	1/2008	Kiyotomo .....	D32/40
D608,127	S	1/2010	Venugopal	
7,712,178	B2 *	5/2010	Yamada .....	A47L 13/16 15/208
D618,410	S *	6/2010	Libman .....	D32/40
D623,882	S	9/2010	Oster	
7,891,898	B2 *	2/2011	Hoadley .....	A46B 7/023 401/123
D642,759	S	8/2011	Otsuka et al.	
D649,312	S *	11/2011	Adams .....	D32/40
8,225,453	B2 *	7/2012	Yamada .....	A47L 13/12 15/229.1
D666,860	S	9/2012	Lubart	
D674,566	S	1/2013	Colangelo	
8,657,515	B2 *	2/2014	Hoadley .....	A46B 5/0075 401/138
D792,042	S *	7/2017	Parsons .....	D32/40
D797,460	S *	9/2017	Pellegrino .....	D4/120
9,833,118	B2 *	12/2017	Policicchio .....	A47L 13/16
D807,605	S *	1/2018	Kim .....	D32/40
D833,096	S *	11/2018	Breheny .....	D32/40
D836,275	S *	12/2018	Pellegrino .....	D32/40
D836,276	S *	12/2018	Pellegrino .....	D32/40
2006/0096051	A1 *	5/2006	Akai .....	A47L 13/17 15/104.93
2007/0107155	A1	5/2007	Kacher et al.	
2012/0042467	A1	2/2012	Mandhai et al.	

\* cited by examiner

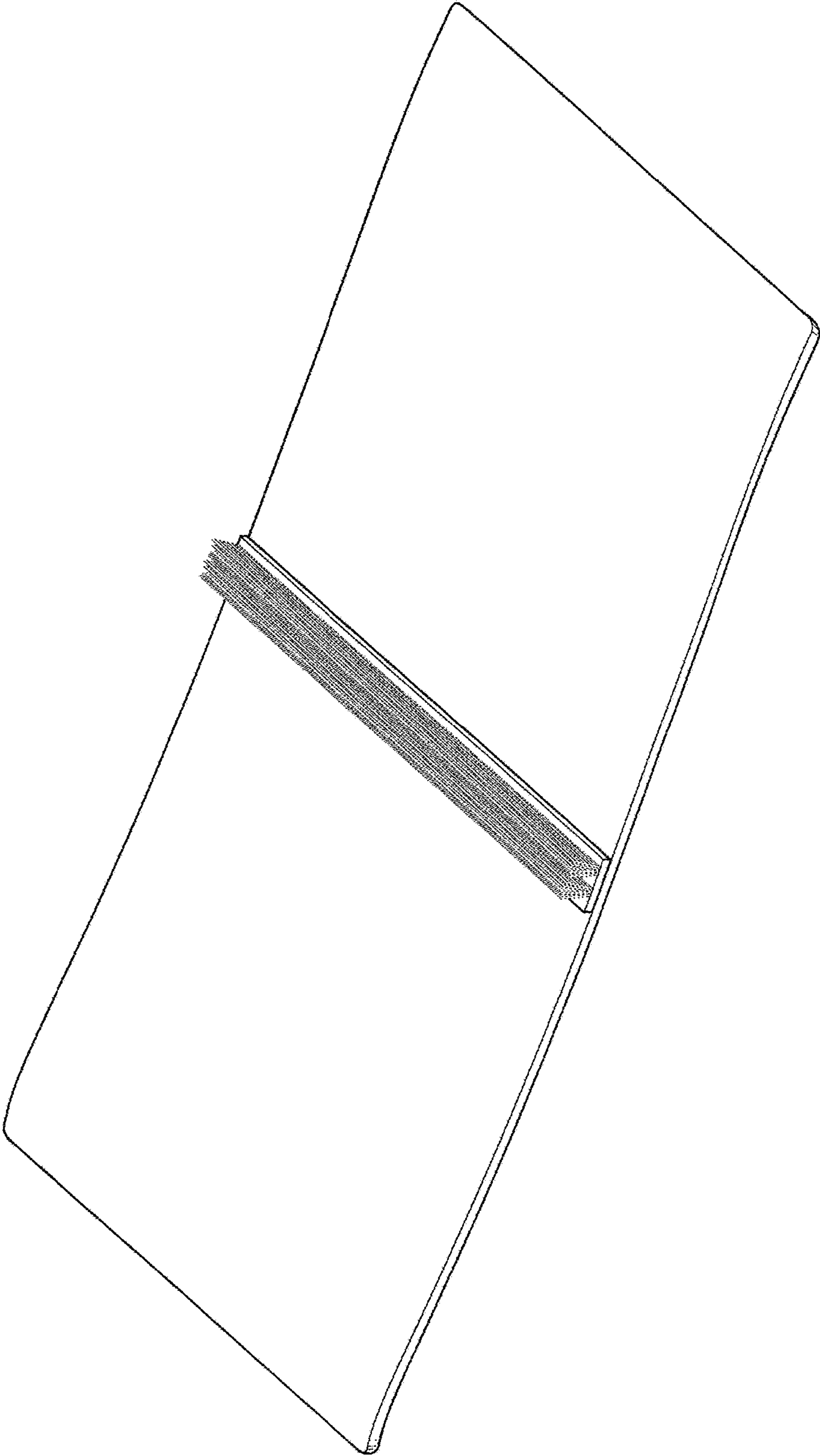


FIG. 1

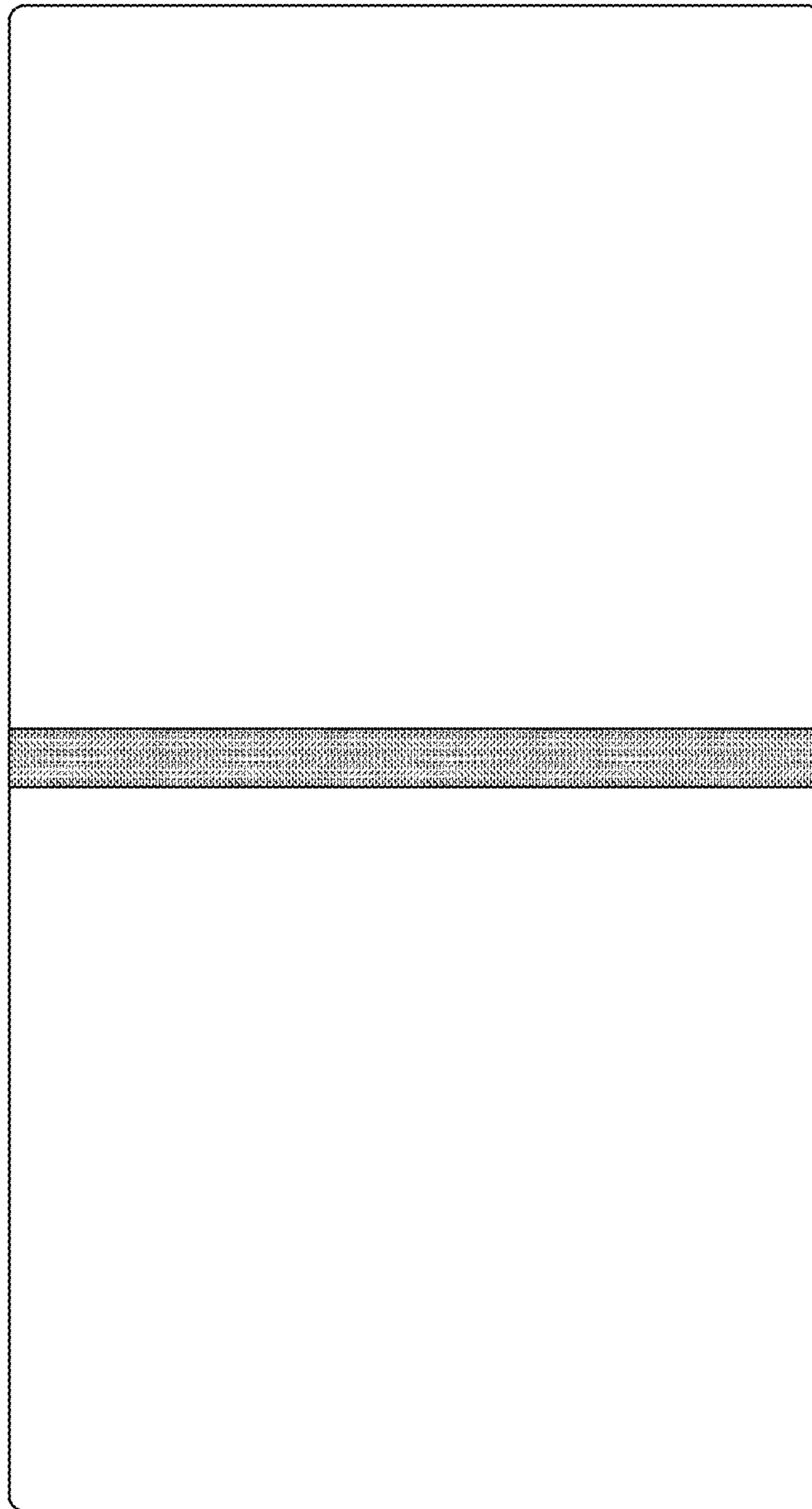
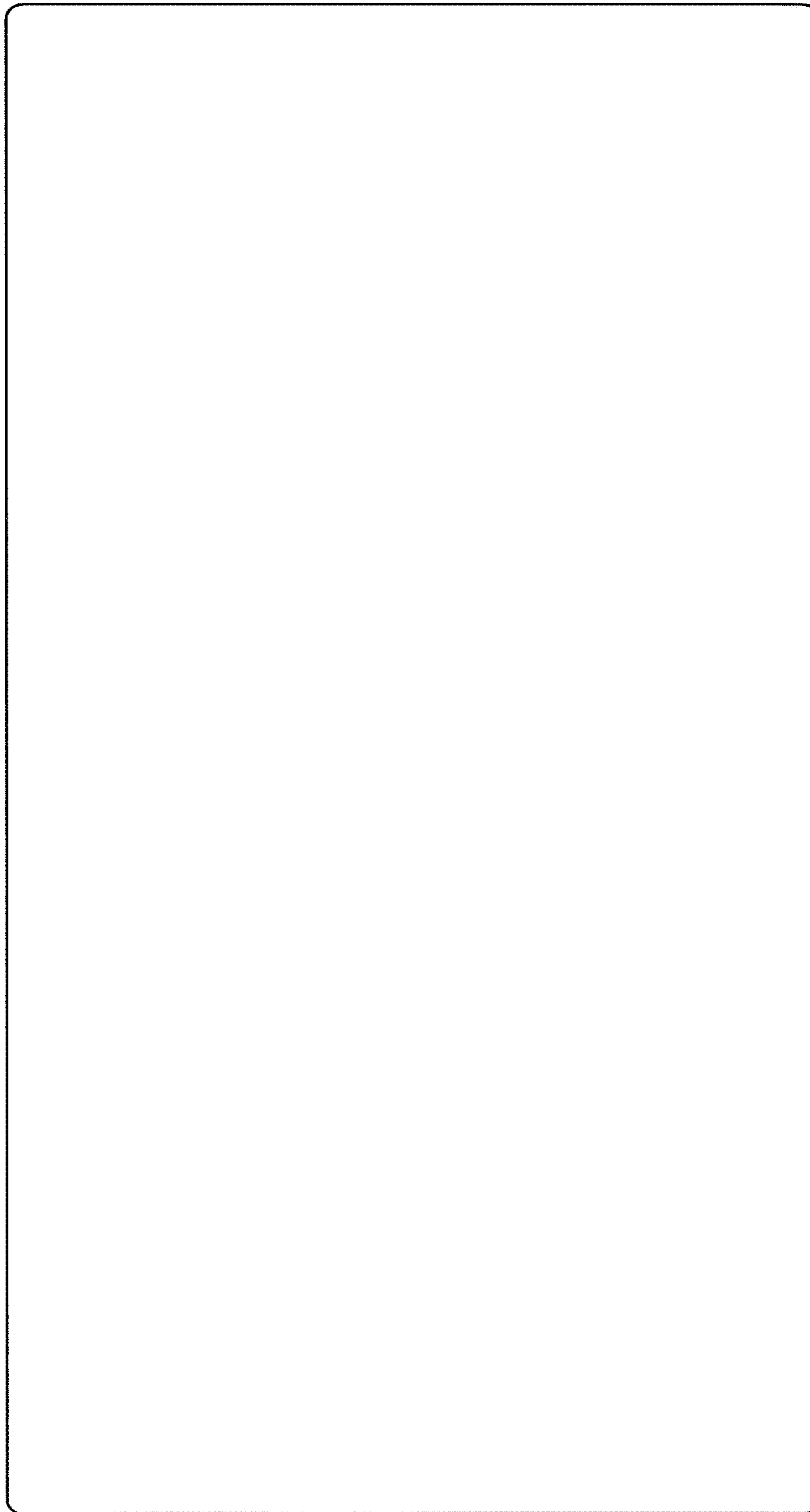
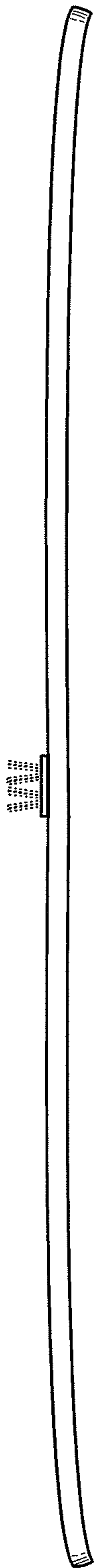


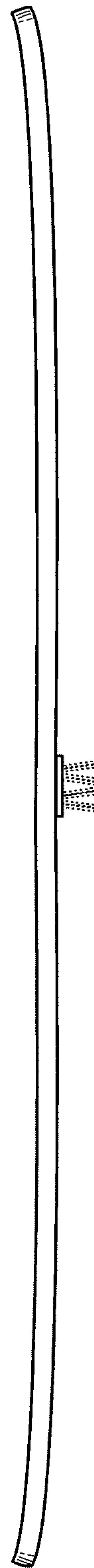
FIG. 2



**FIG. 3**

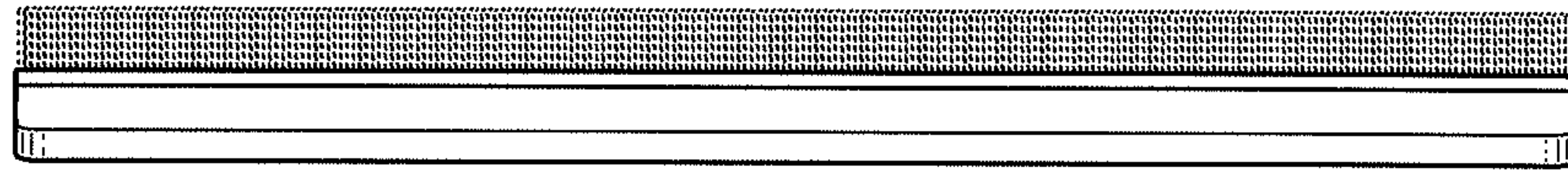


**FIG. 4**

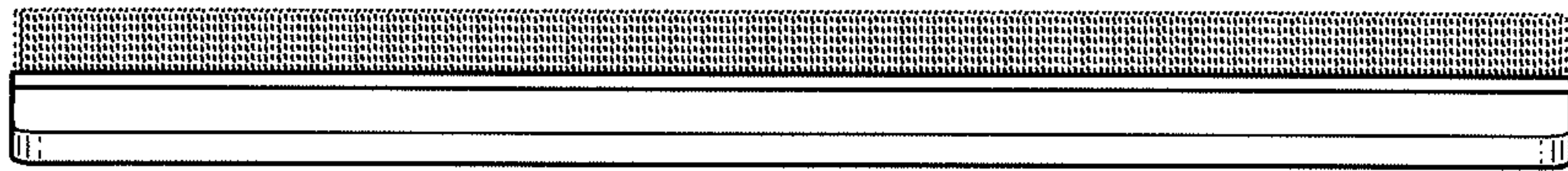


**FIG. 5**





**FIG. 6**



**FIG. 7**