



US00D869803S

(12) **United States Design Patent**
Fry et al.

(10) **Patent No.:** **US D869,803 S**

(45) **Date of Patent:** **** Dec. 10, 2019**

(54) **NOZZLE ATTACHMENT FOR A VACUUM CLEANER**

(71) Applicant: **SHOP VAC CORPORATION**,
Williamsport, PA (US)

(72) Inventors: **Kevin D. Fry**, South Williamsport, PA (US); **Kurt Westbrook**, Cogan Station, PA (US); **David Martinez**, Williamsport, PA (US)

(73) Assignee: **SHOP VAC CORPORATION**,
Williamsport, PA (US)

(**) Term: **15 Years**

(21) Appl. No.: **29/648,157**

(22) Filed: **May 18, 2018**

(51) **LOC (12) Cl.** **15-05**

(52) **U.S. Cl.**
USPC **D32/32**

(58) **Field of Classification Search**
USPC D32/17, 18, 22, 31-33
CPC ... A47L 5/24; A47L 5/362; A47L 5/36; A47L 5/28; A47L 9/102; A47L 9/1683; B01D 50/002

See application file for complete search history.

(56) **References Cited**

U.S. PATENT DOCUMENTS

D264,139 S * 4/1982 Pearman, Jr. D32/33
D483,536 S * 12/2003 Martin D28/18

D621,565 S * 8/2010 Pierce D32/32
D674,978 S * 1/2013 Hill D32/32
D701,011 S * 3/2014 Miller D32/32
D756,576 S * 5/2016 Wang D32/15
D759,921 S * 6/2016 Shields D32/32
D793,638 S * 8/2017 LaBarbera D32/32
D815,380 S * 4/2018 Bond D32/32
D852,443 S * 6/2019 Martin D32/33

* cited by examiner

Primary Examiner — Ruth McInroy

(74) *Attorney, Agent, or Firm* — Marshall, Gerstein & Borun LLP

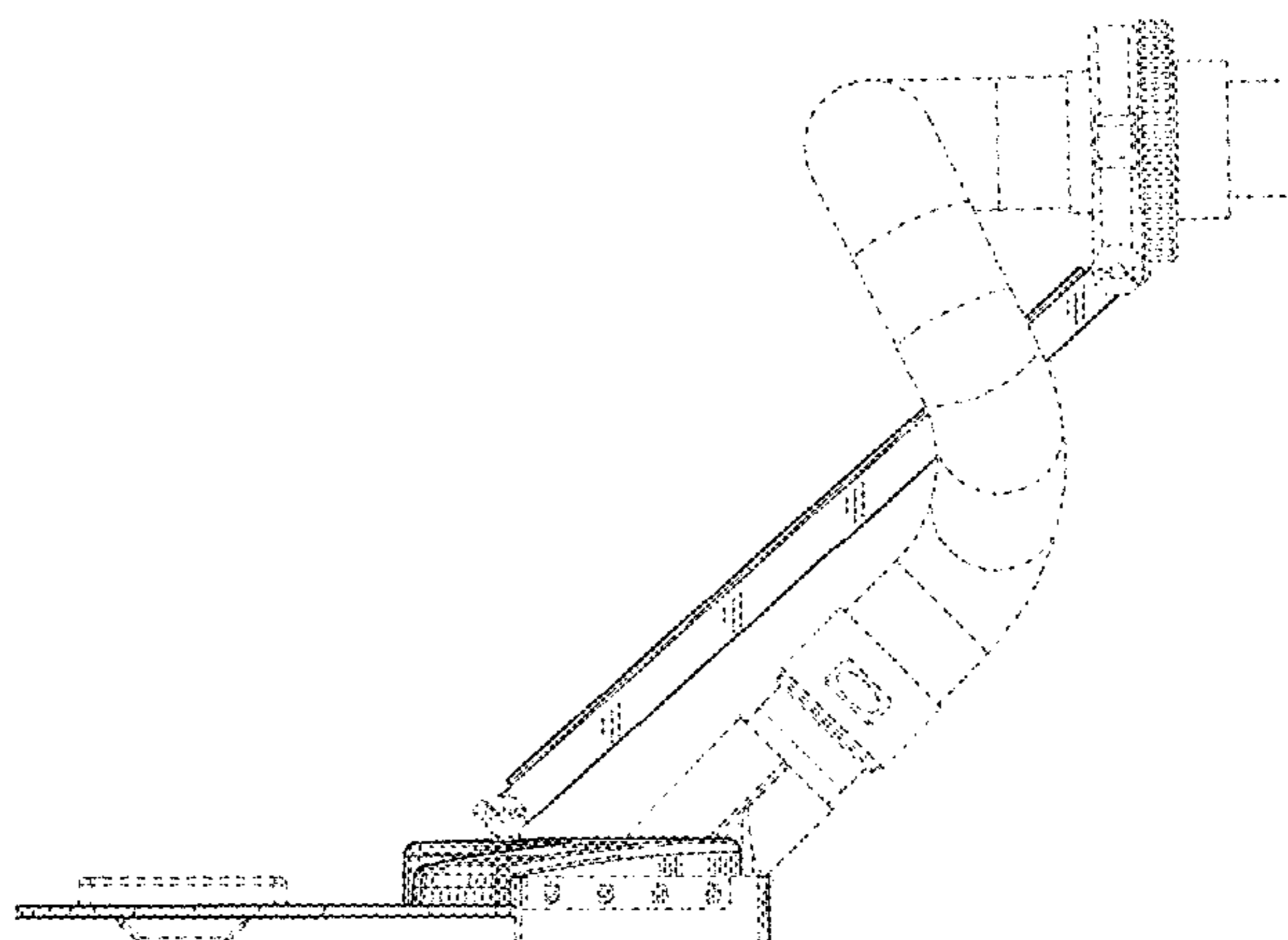
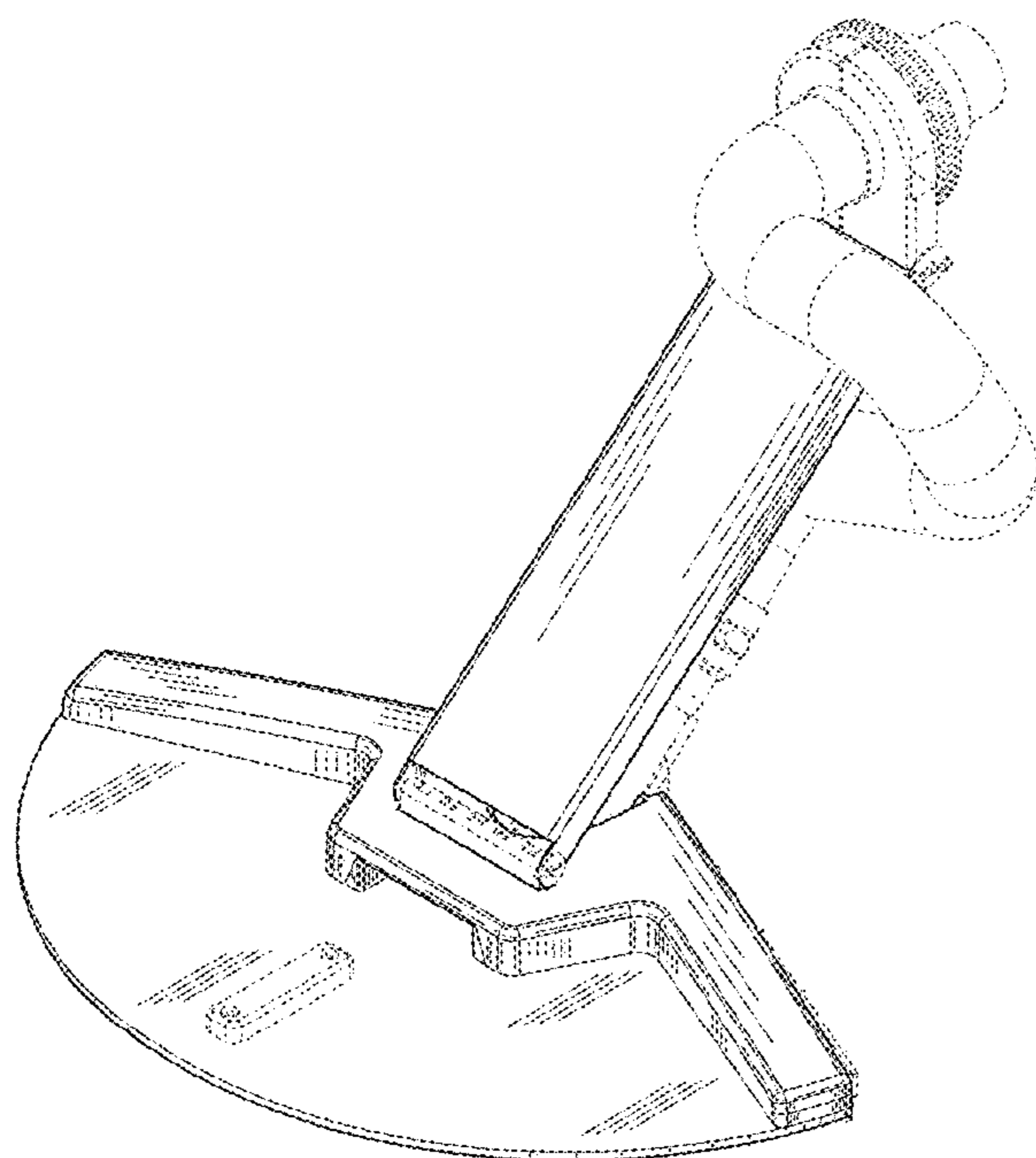
(57) **CLAIM**

The ornamental design for a nozzle attachment for a vacuum cleaner, as shown and described.

DESCRIPTION

FIG. 1 is a top, front view of a nozzle attachment for a vacuum cleaner showing our new design; FIG. 2 is a top view thereof; FIG. 3 is a front view thereof; FIG. 4 is a right-side view thereof; and, FIG. 5 is a perspective view thereof; attached to a vacuum cleaner shown in broken lines which forms no part of the claimed design. The broken lines in FIGS. 1-5 depict elements of the nozzle attachment for a vacuum cleaner that form no part of the claimed design.

1 Claim, 5 Drawing Sheets



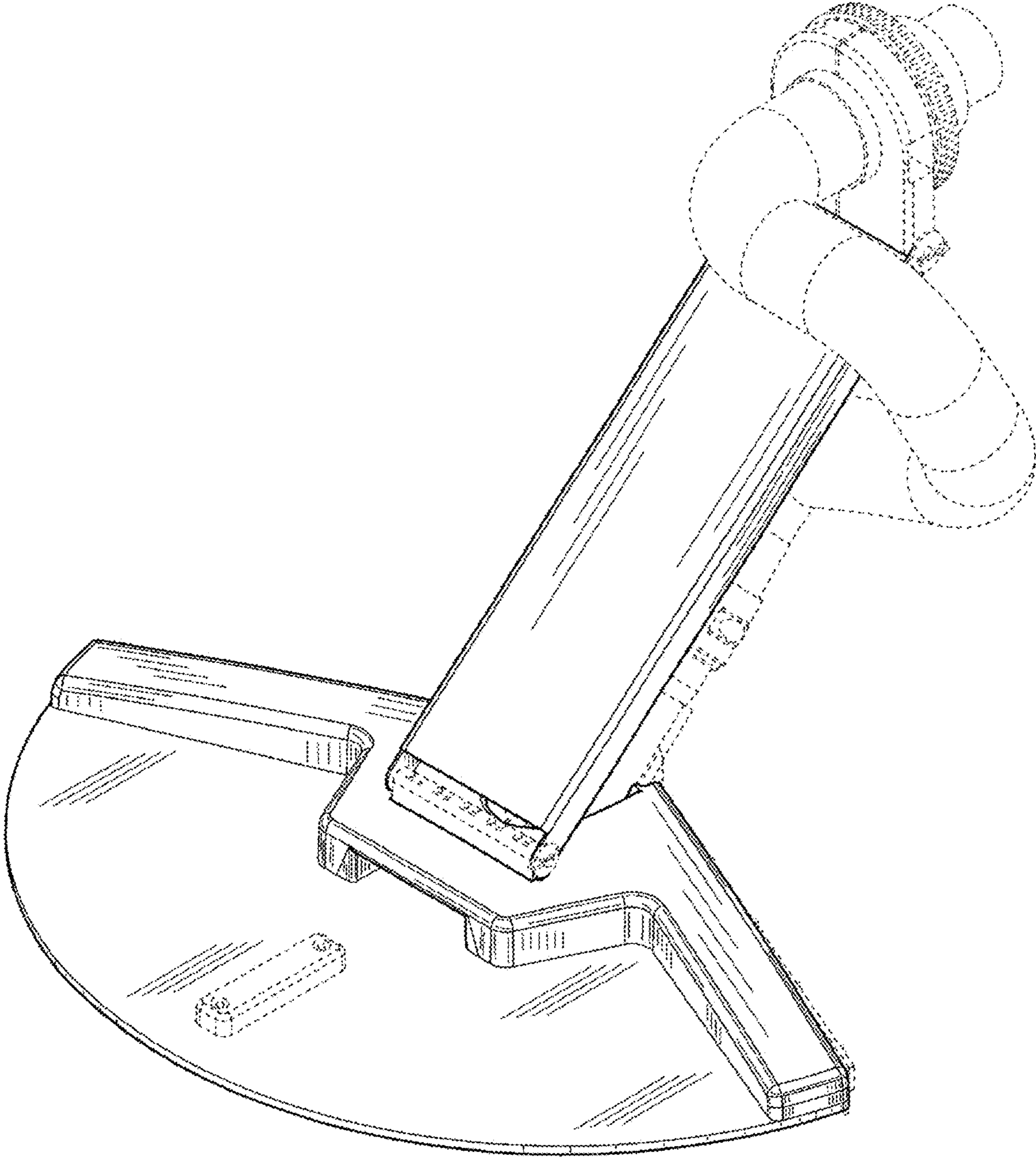


FIG. 1

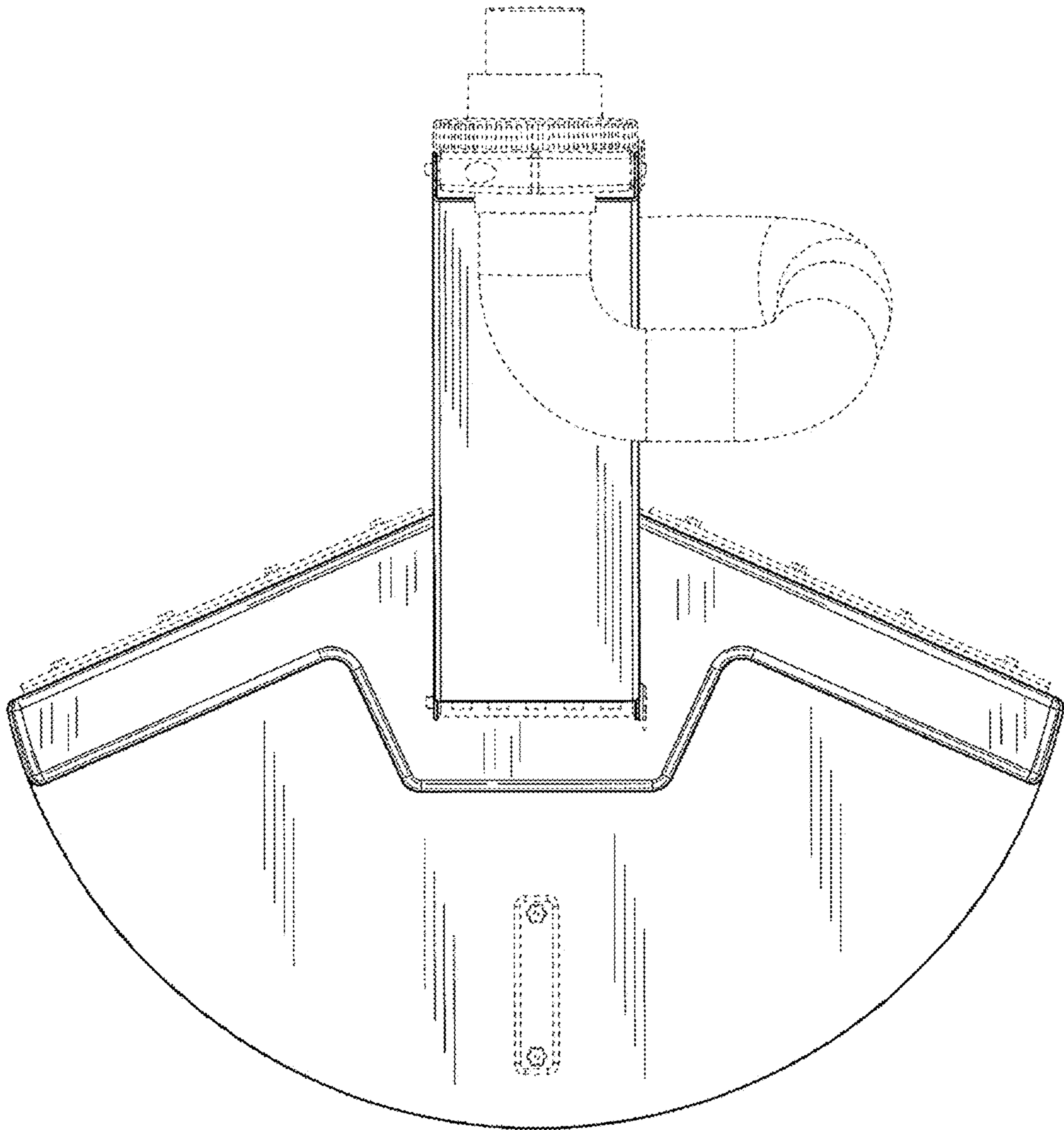


FIG. 2

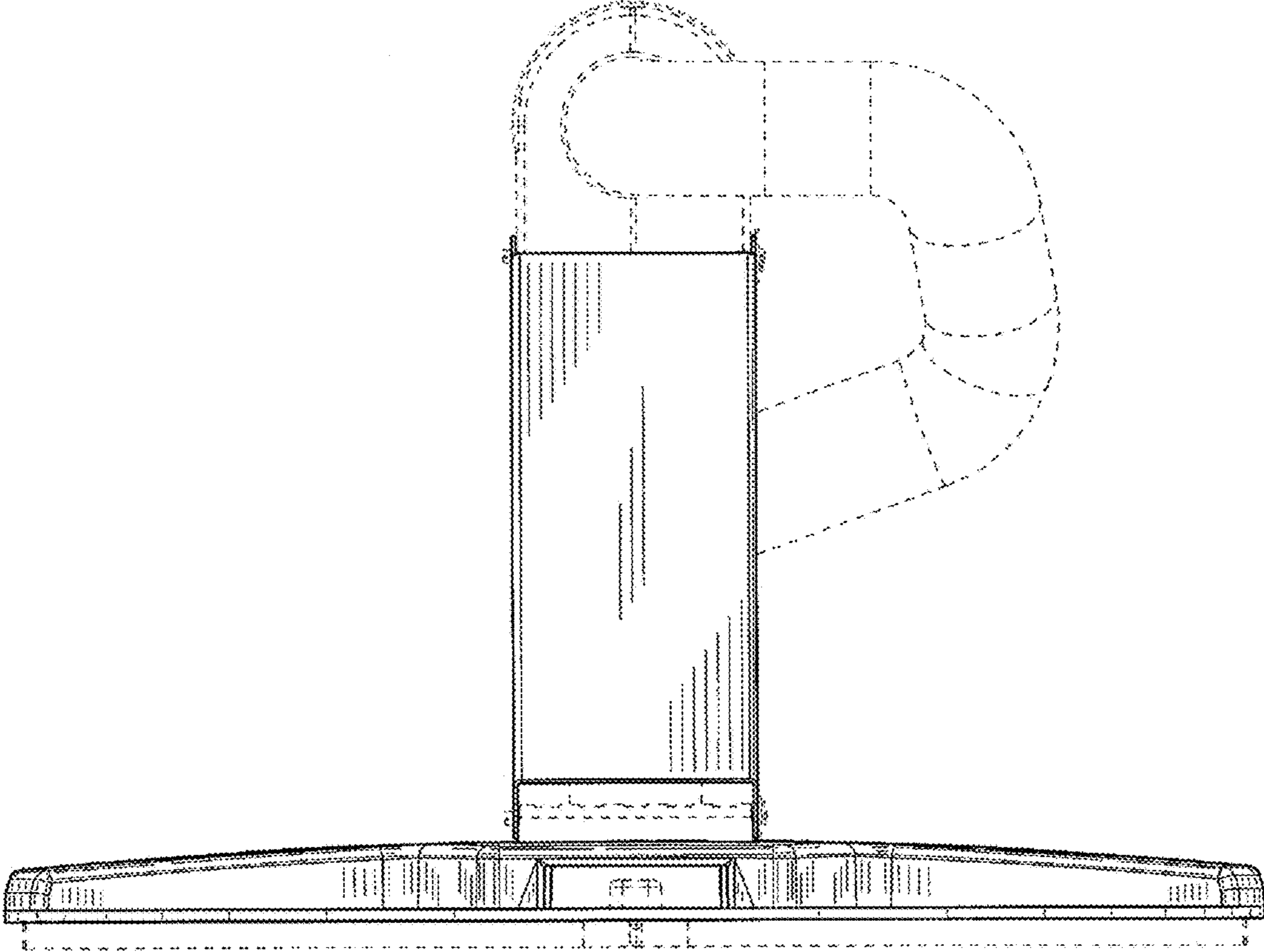


FIG. 3

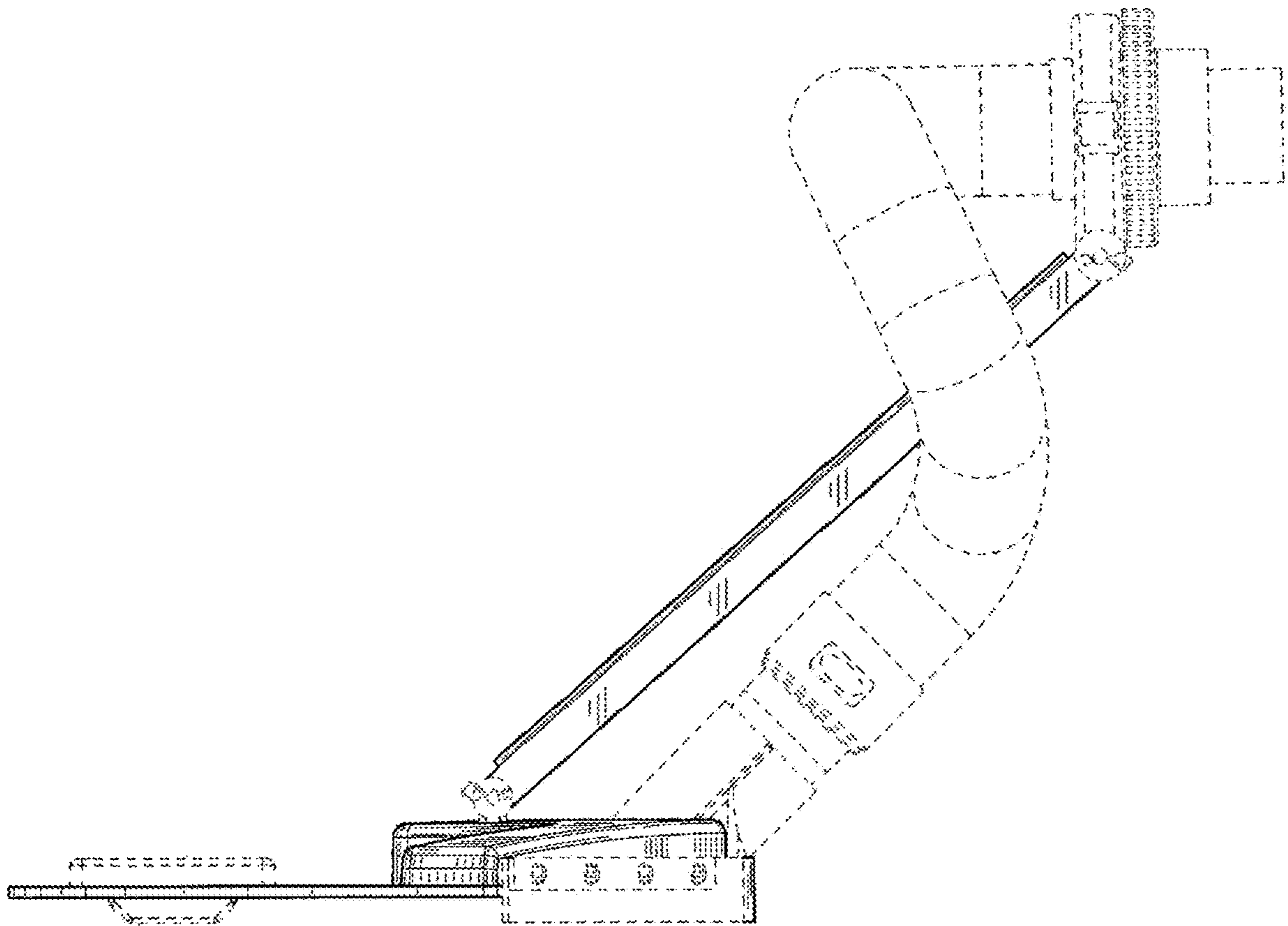


FIG. 4

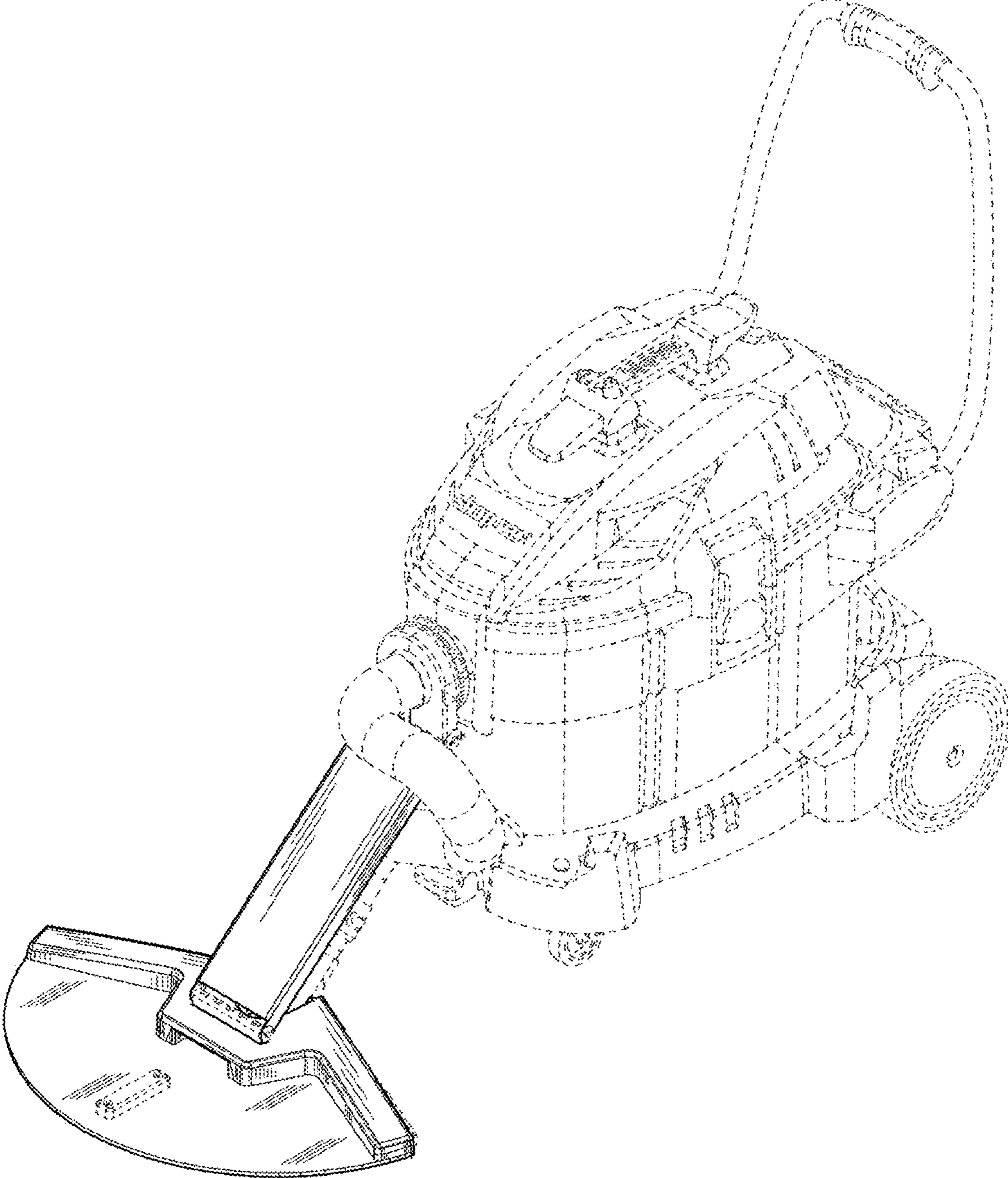


FIG. 5