



US00D869802S

(12) **United States Design Patent** (10) **Patent No.:** **US D869,802 S**
Hribar-Green et al. (45) **Date of Patent:** **** Dec. 10, 2019**

(54) **PART OF A VACUUM CLEANER**

- (71) Applicant: **Dyson Technology Limited**, Wiltshire (GB)
- (72) Inventors: **Ashley James Hribar-Green**, Bristol (GB); **Stuart Lloyd Genn**, Swindon (GB)
- (73) Assignee: **Dyson Technology Limited**, Malmesbury, Wiltshire (GB)

(**) Term: **15 Years**

(21) Appl. No.: **29/617,717**

(22) Filed: **Sep. 15, 2017**

(51) **LOC (12) Cl.** **15-05**

(52) **U.S. Cl.**
USPC **D32/32**

(58) **Field of Classification Search**
USPC D32/31-34, 22; 15/415.1
CPC A47L 9/02; A47L 9/04; A47L 9/06; A47L 9/0461; A47L 9/325; A47L 5/362; A47L 5/365; A47L 5/30; A47L 5/36; A47L 5/28; A47L 5/32; A47L 11/4044; A47L 11/302

See application file for complete search history.

(56) **References Cited**

U.S. PATENT DOCUMENTS

D389,963 S	1/1998	Scanlon
D400,323 S	10/1998	Scanlon
D495,105 S	8/2004	Baldinger
D495,458 S	8/2004	Baldinger
D520,127 S	5/2006	Khalil
D521,137 S	5/2006	Khalil
D541,399 S	4/2007	Khalil
7,399,332 B1	7/2008	Morey
D601,318 S	9/2009	Williams
D601,319 S	9/2009	Williams
D601,320 S	9/2009	Williams
7,617,566 B2	11/2009	Chapman

D610,760 S	2/2010	Zugen et al.	
D616,164 S *	5/2010	McLeod	D32/32
D617,065 S	6/2010	Williams	
D621,108 S *	8/2010	Santiago	D32/32
D649,725 S	11/2011	Jellman	
8,091,174 B2	1/2012	Coburn et al.	
D659,922 S	5/2012	Krohmer et al.	
D667,186 S *	9/2012	Codling	D32/33
8,302,250 B2	11/2012	Dyson et al.	
D678,635 S *	3/2013	Gammack	D32/32
D686,379 S *	7/2013	Kim	D32/32
D691,338 S	10/2013	Schultz	
D712,104 S *	8/2014	Stickney	D32/32

(Continued)

OTHER PUBLICATIONS

Hribar-Green et al., U.S. Office Action dated May 11, 2018, directed to U.S. Appl. No. 29/617,709; 7 pages.

(Continued)

Primary Examiner — Ruth McInroy

(74) *Attorney, Agent, or Firm* — Morrison & Foerster LLP

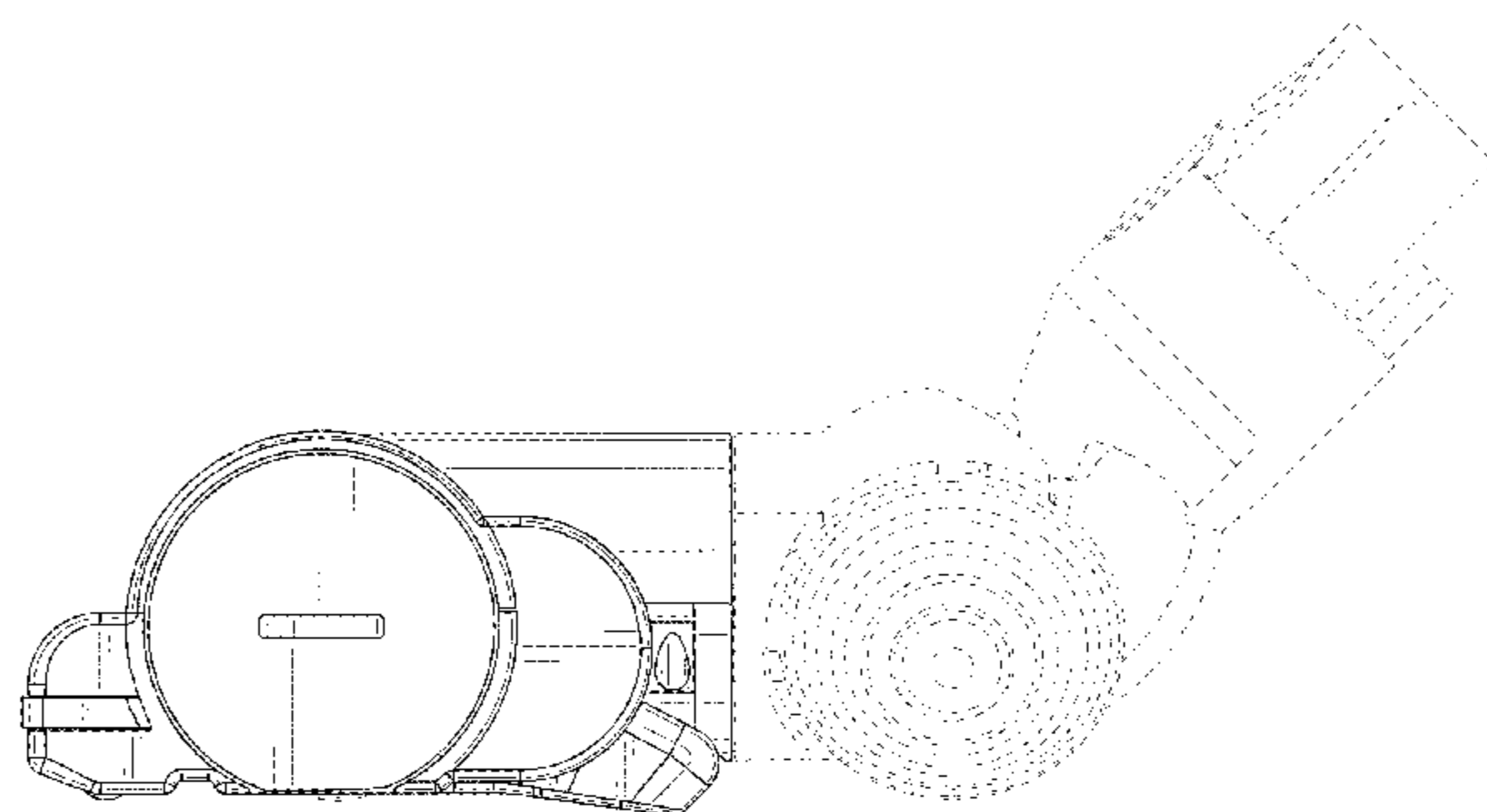
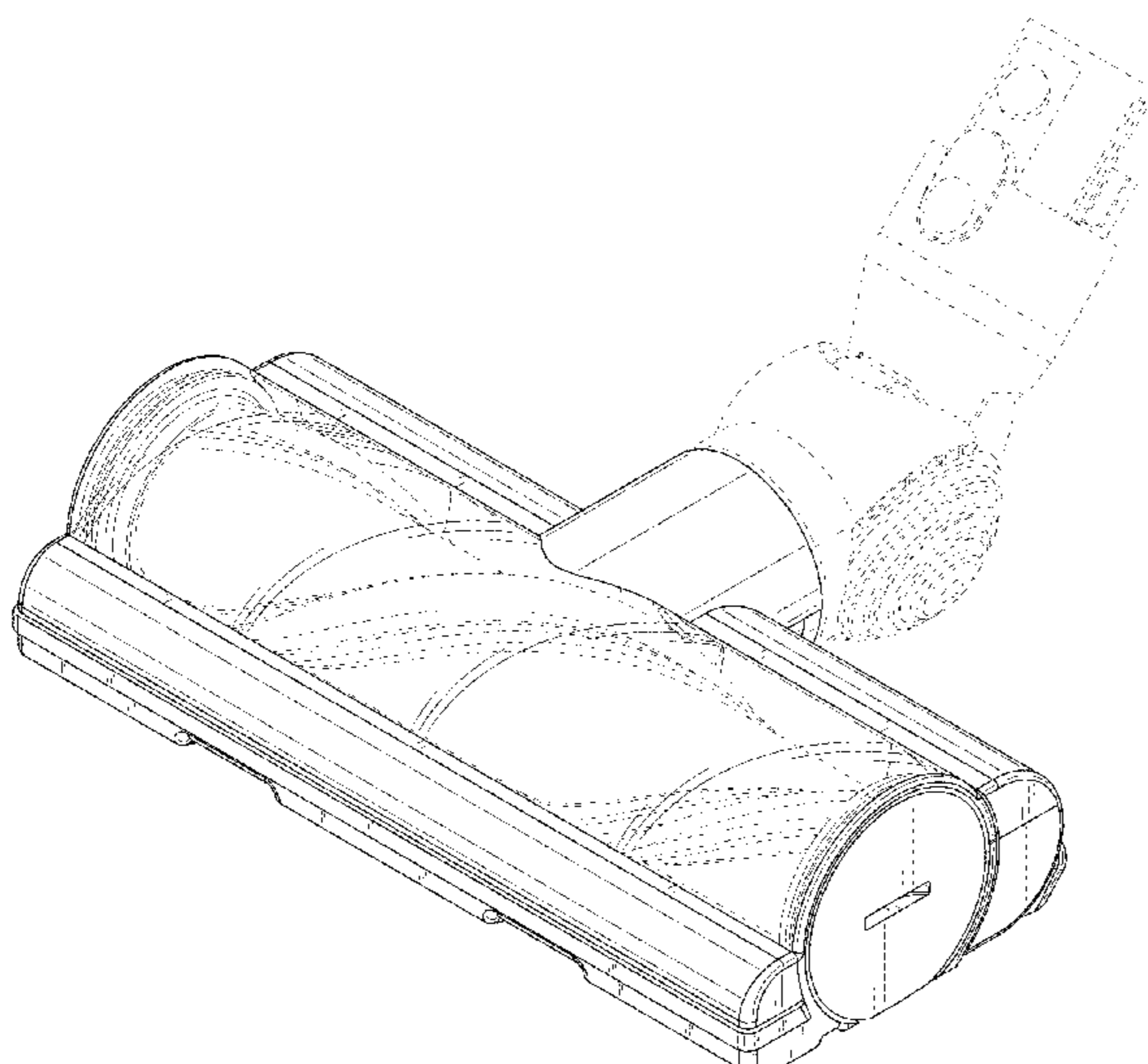
(57) **CLAIM**

We claim the ornamental design for a part of a vacuum cleaner, as shown and described.

DESCRIPTION

FIG. 1 is a perspective view of a part of a vacuum cleaner showing our new design;
 FIG. 2 is a side view thereof;
 FIG. 3 is a side view of the opposite side of FIG. 2;
 FIG. 4 is a front view thereof;
 FIG. 5 is a rear view thereof;
 FIG. 6 is a top view thereof; and,
 FIG. 7 is a bottom view thereof.
 The broken lines shown in the drawings illustrate portions of a part of a vacuum cleaner that form no part of the claimed design.

1 Claim, 7 Drawing Sheets



(56)

References Cited

U.S. PATENT DOCUMENTS

D712,105 S * 8/2014 Stickney D32/33
 D718,009 S 11/2014 Sun
 D718,913 S * 12/2014 Ashbee D32/32
 D719,309 S * 12/2014 Ashbee D32/33
 8,925,145 B2 1/2015 Wilson
 8,966,711 B2 3/2015 Millington et al.
 D731,130 S 6/2015 Dyson et al.
 D731,134 S 6/2015 Dyson et al.
 9,144,358 B2 9/2015 Smith
 9,204,770 B2 * 12/2015 Worker A47L 9/02
 D747,571 S 1/2016 Dyson et al.
 D747,572 S 1/2016 Kerr
 D751,778 S 3/2016 Yun et al.
 D751,780 S * 3/2016 Courtney D32/33
 D752,301 S * 3/2016 Courtney D32/32
 D752,302 S * 3/2016 Courtney D32/32
 D770,711 S 11/2016 Okada et al.
 9,554,680 B2 * 1/2017 Elsdon A47L 9/02
 9,572,466 B2 * 2/2017 De Wit A47L 9/02
 D781,015 S * 3/2017 Kim D32/33
 D782,761 S * 3/2017 Yoon D32/32
 9,591,952 B2 3/2017 Conrad
 D792,665 S 7/2017 Salagnac
 9,737,184 B2 * 8/2017 Kim A47L 9/02
 9,788,697 B2 10/2017 Peace
 D804,753 S 12/2017 Kim et al.

D813,475 S 3/2018 Lee et al.
 D814,724 S * 4/2018 Courtney D32/32
 D814,725 S 4/2018 Alexander
 9,962,047 B2 5/2018 Brown et al.
 D821,044 S 6/2018 Cao et al.
 9,986,880 B2 6/2018 Conrad
 D823,566 S * 7/2018 Kim D32/33
 10,092,146 B2 10/2018 Conrad
 D836,273 S * 12/2018 Nam D32/32
 D836,274 S * 12/2018 Nam D32/32
 D836,868 S * 12/2018 Nam D32/32
 10,143,345 B2 12/2018 Peters
 D839,517 S * 1/2019 Nam D32/32
 D839,518 S * 1/2019 Nam D32/32
 D839,519 S * 1/2019 Nam D32/33
 D839,520 S * 1/2019 Hribar-Green D32/33
 D839,521 S * 1/2019 Hribar-Green D32/33
 10,258,211 B2 * 4/2019 McLeod A47L 9/009
 D848,099 S * 5/2019 Nam D32/32
 2009/0307863 A1 12/2009 Milne et al.

OTHER PUBLICATIONS

Hribar-Green et al., U.S. Office Action dated May 11, 2018, directed to U.S. Appl. No. 29/617,715; 7 pages.
 Hinchliffe, U.S. Office Action dated Sep. 21, 2018, directed to U.S. Appl. No. 29/617,704; 7 pages.

* cited by examiner

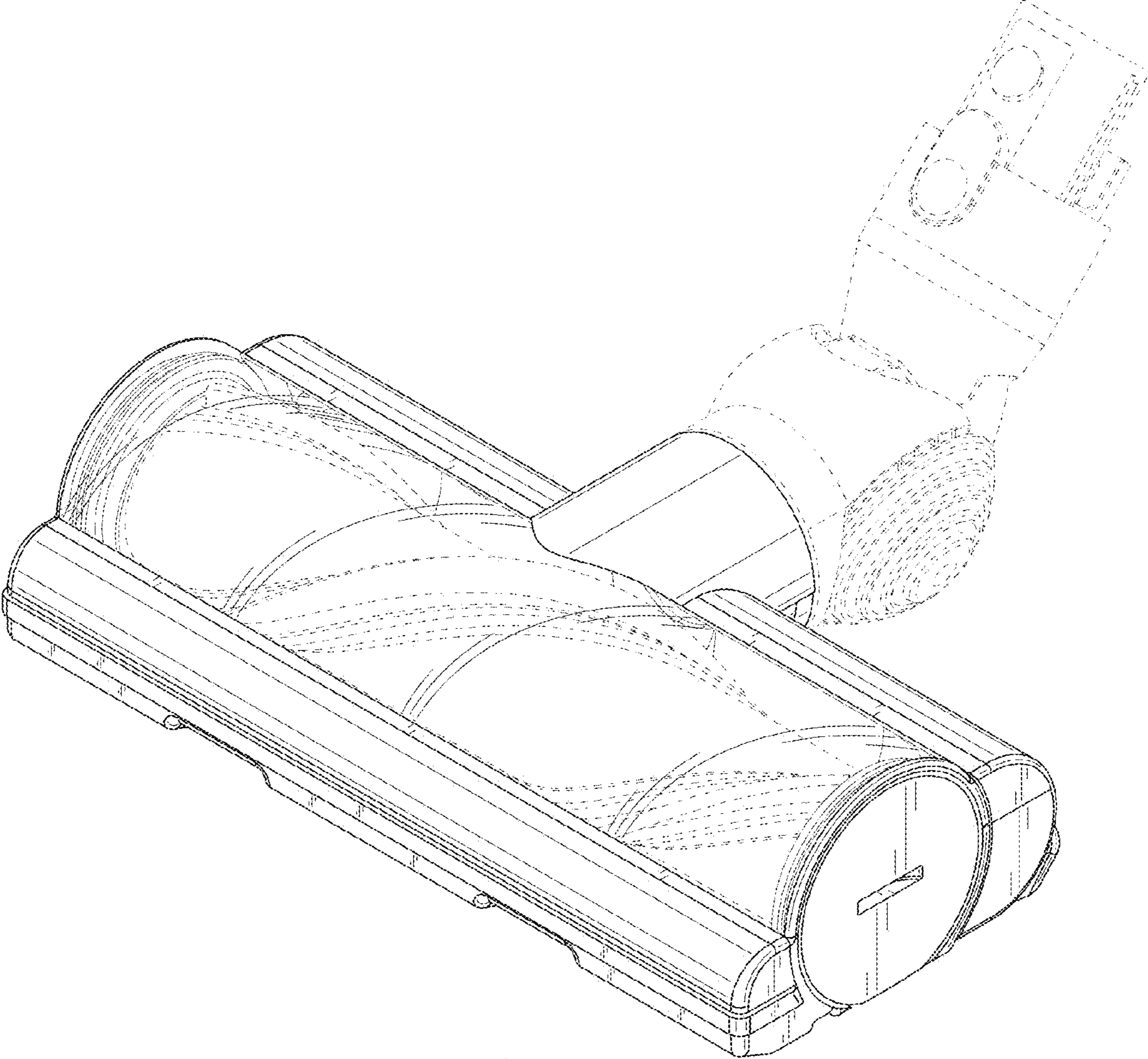


FIG. 1

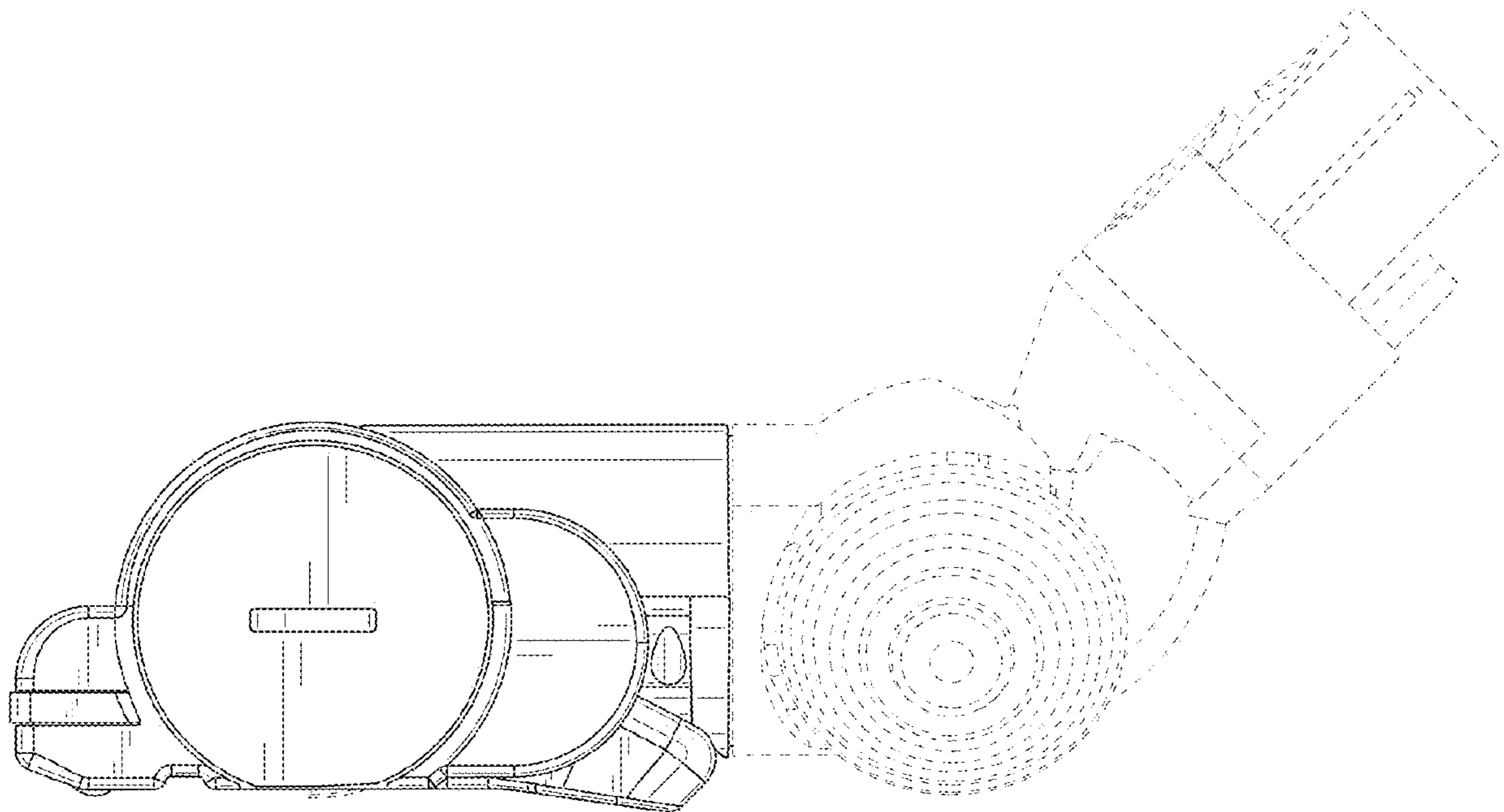


FIG. 2

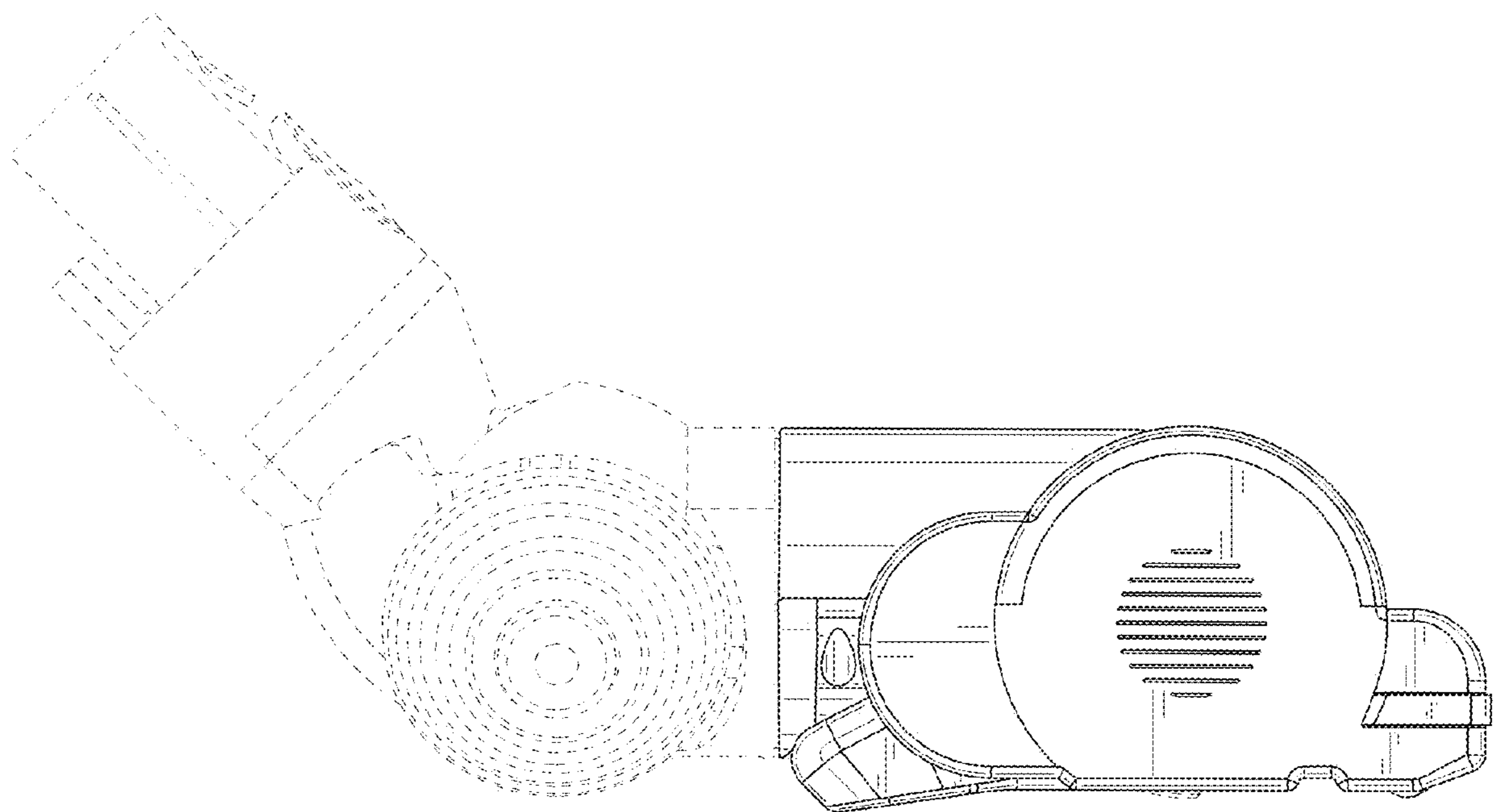


FIG. 3

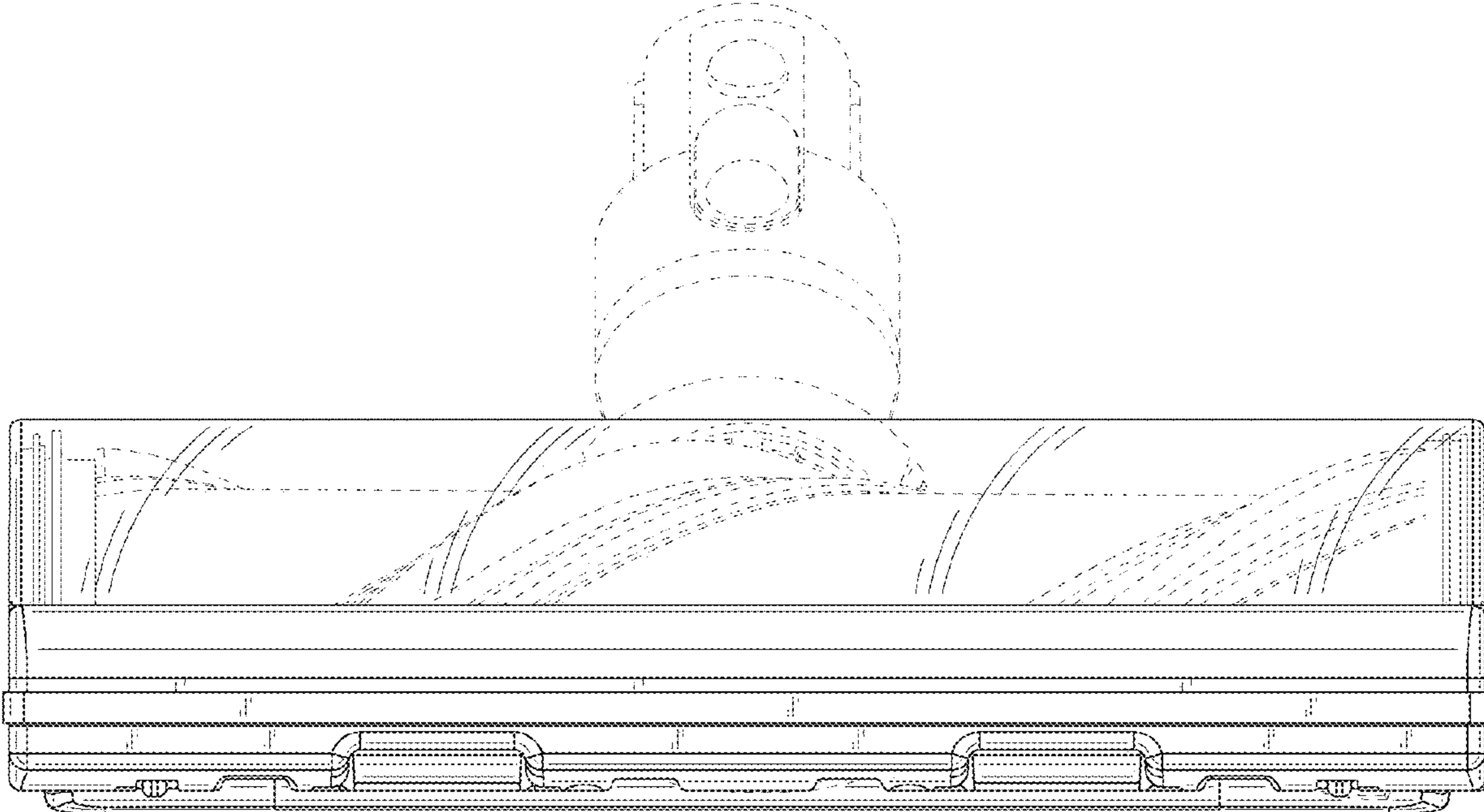


FIG. 4

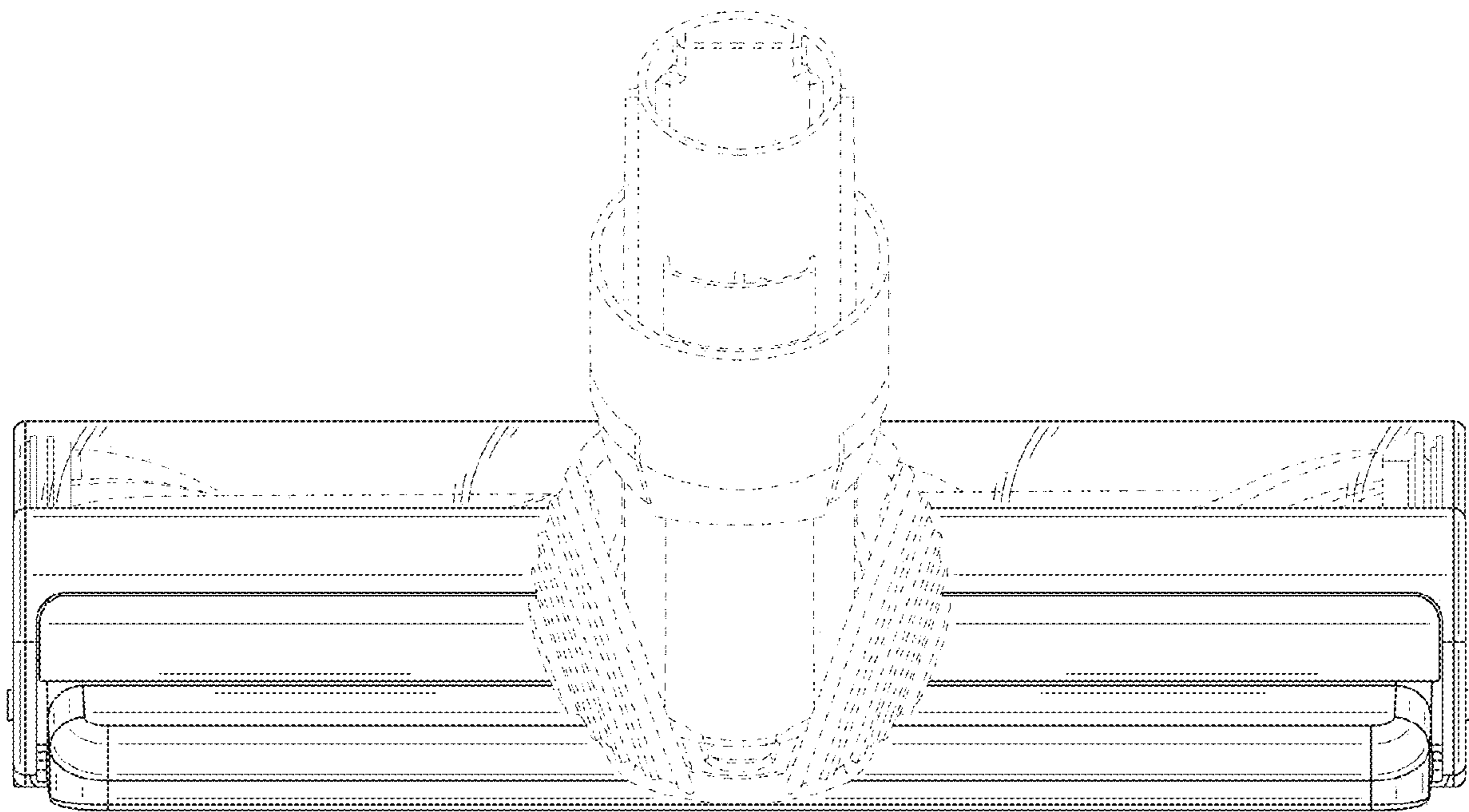


FIG. 5

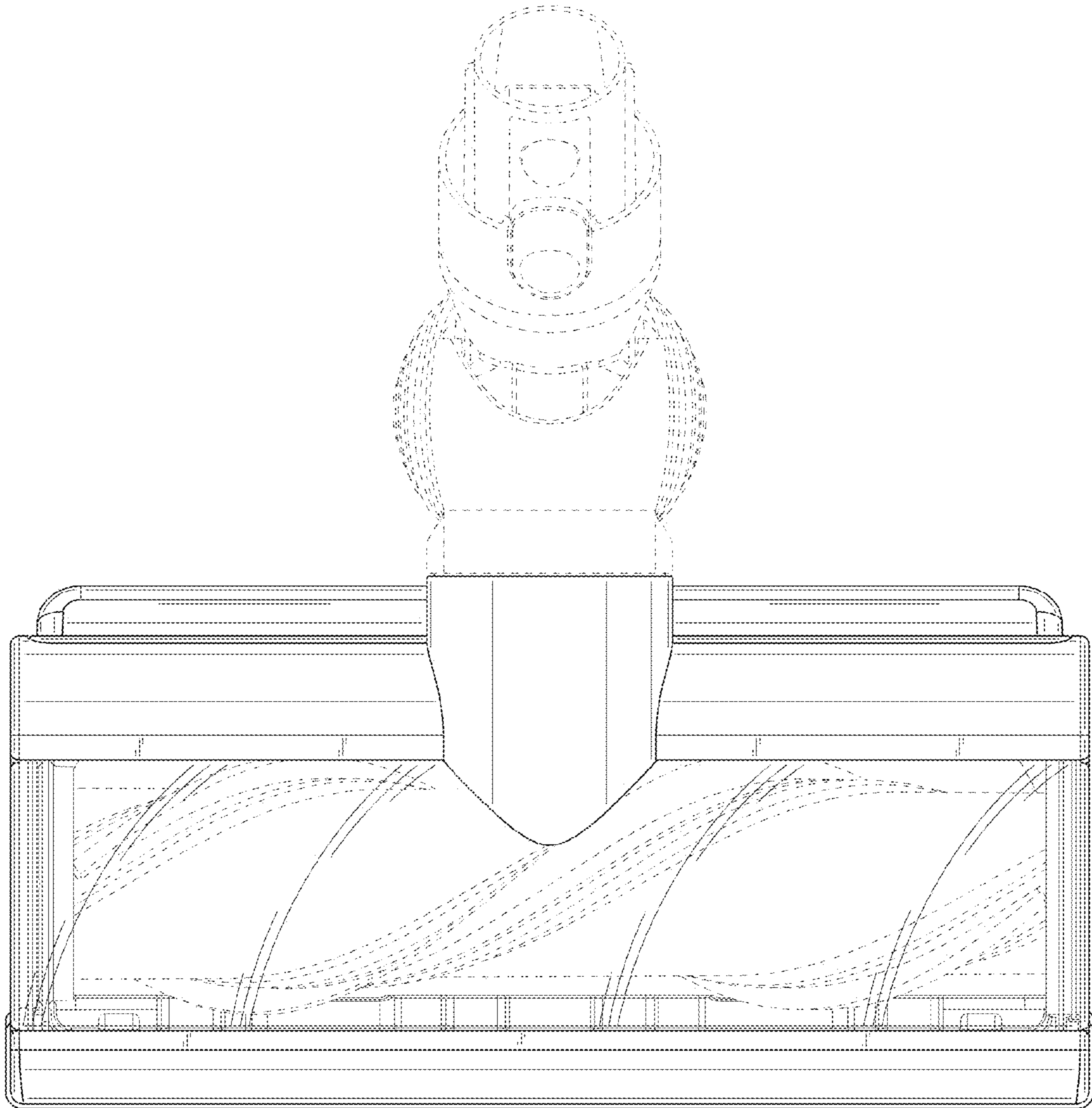


FIG. 6

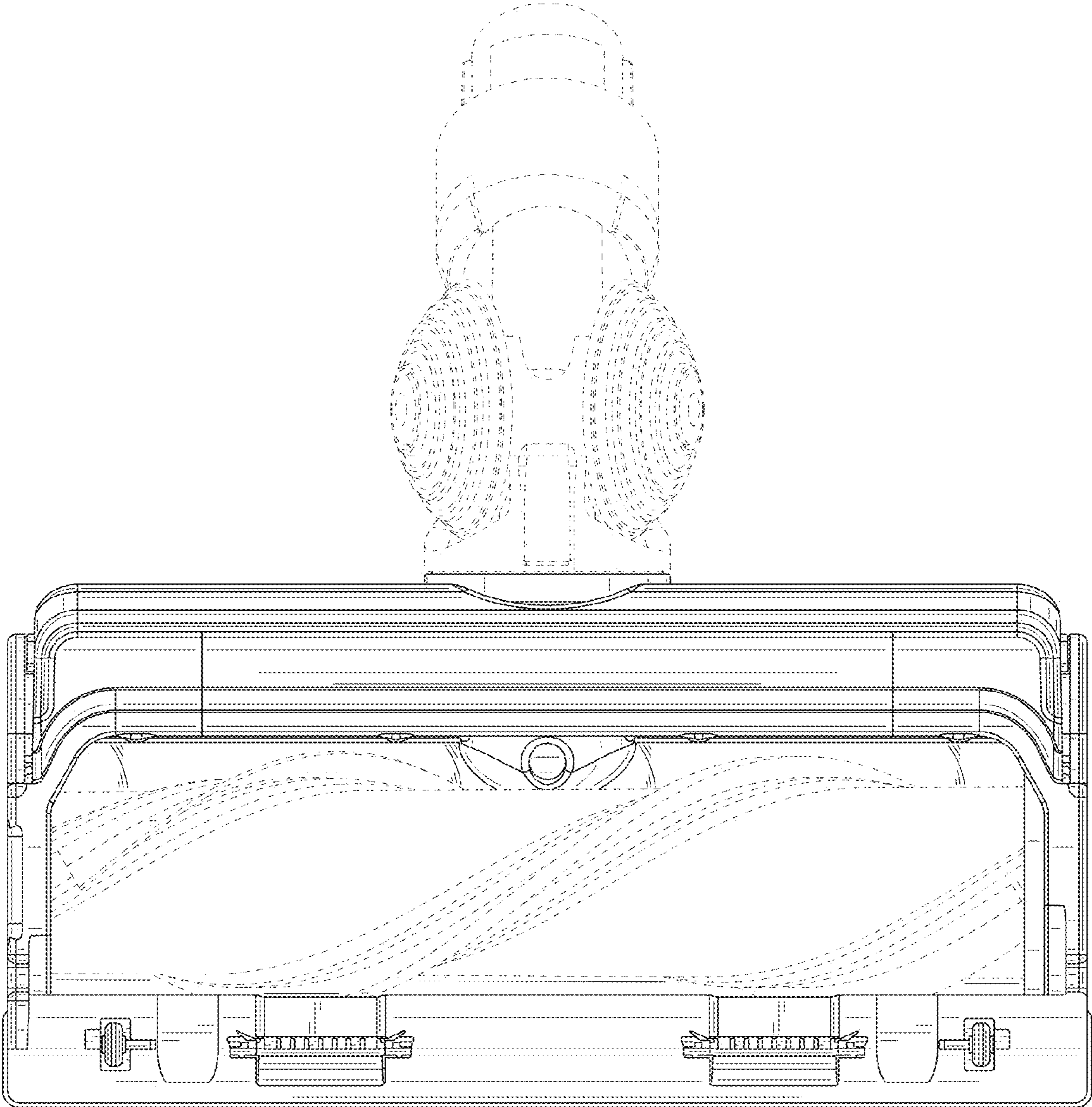


FIG. 7