



US00D869801S

(12) **United States Design Patent**
Emmett et al.

(10) **Patent No.: US D869,801 S**

(45) **Date of Patent: ** Dec. 10, 2019**

(54) **PART OF A VACUUM CLEANER**

(71) Applicant: **Dyson Technology Limited**, Wiltshire (GB)

(72) Inventors: **David William Emmett**, Bristol (GB);
Adam David Lambert, Swindon (GB);
Charles Franklin Gale, Bristol (GB)

(73) Assignee: **Dyson Technology Limited**,
Malmesbury, Wiltshire (GB)

(**) Term: **15 Years**

(21) Appl. No.: **29/661,929**

(22) Filed: **Aug. 31, 2018**

(30) **Foreign Application Priority Data**

Mar. 1, 2018 (EM) 004734119-0001

(51) **LOC (12) Cl.** **15-05**

(52) **U.S. Cl.**
USPC **D32/31**

(58) **Field of Classification Search**

USPC D32/17-18, 22, 31-34; D8/61-62, 66;
15/302, 321

CPC ... A47L 5/24; A47L 5/225; A47L 5/36; A47L
5/28; A47L 9/32; A47L 9/325; A47L
9/327; A47L 9/244

See application file for complete search history.

(56) **References Cited**

U.S. PATENT DOCUMENTS

D488,270 S * 4/2004 Biere D32/25
D659,922 S * 5/2012 Krohmer D32/31

D773,136 S * 11/2016 Fuller D32/31
D796,759 S * 9/2017 Tucker D32/18
D796,760 S * 9/2017 Tucker D32/18
D802,234 S * 11/2017 Gammack D32/34
D802,236 S * 11/2017 Gammack D32/34
D803,493 S * 11/2017 Lutz D32/31
D830,655 S * 10/2018 Kim D32/31

* cited by examiner

Primary Examiner — Ruth McInroy

(74) *Attorney, Agent, or Firm* — Morrison & Foerster
LLP

(57) **CLAIM**

We claim the ornamental design for a part of a vacuum cleaner, as shown and described.

DESCRIPTION

FIG. 1 is a perspective view of a part of a vacuum cleaner showing our new design;

FIG. 2 is a front view thereof;

FIG. 3 is a rear view thereof;

FIG. 4 is a side view thereof;

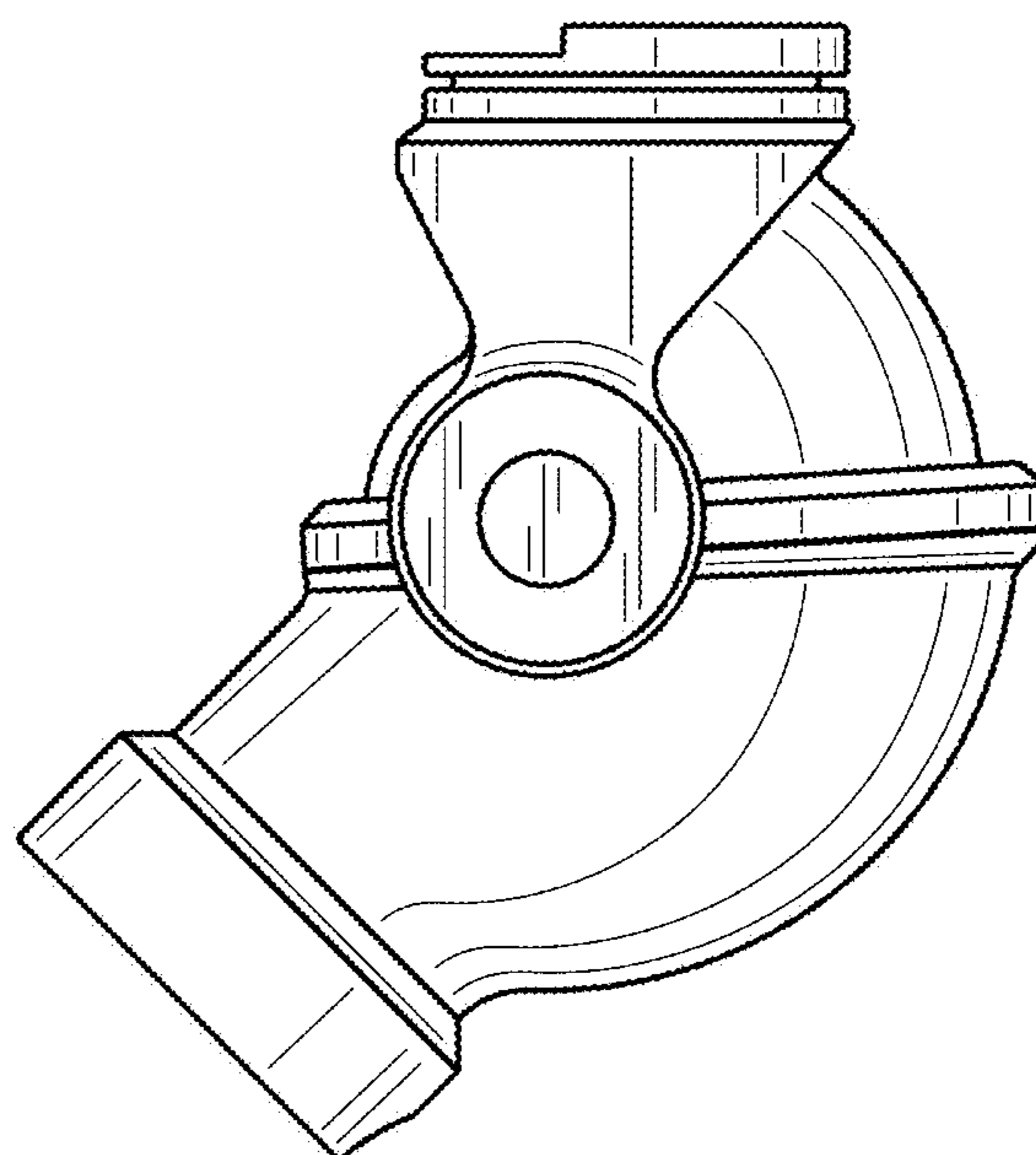
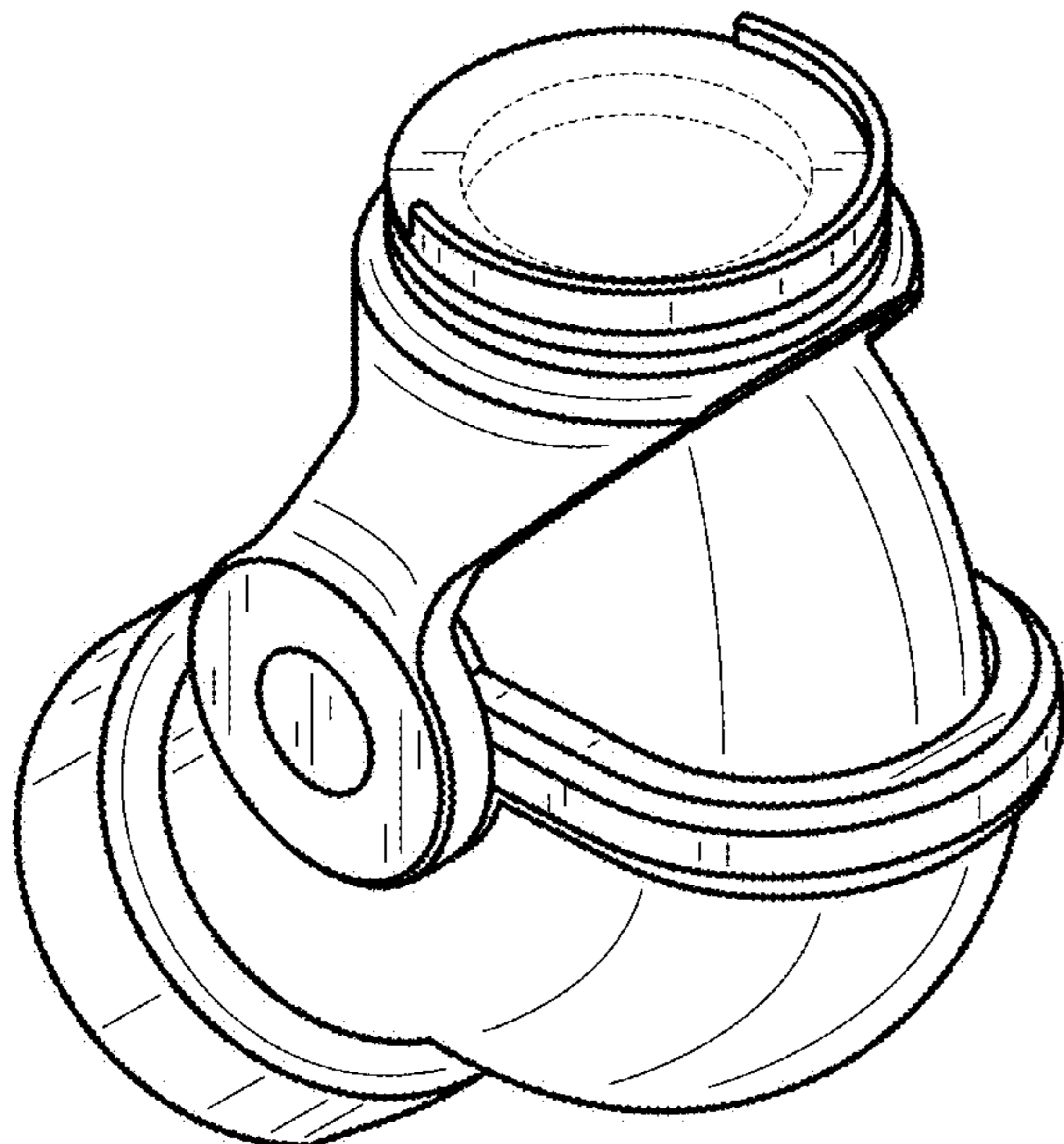
FIG. 5 is a side view of the opposite side of FIG. 4;

FIG. 6 is a top view thereof; and,

FIG. 7 is a bottom view thereof.

The details shown in broken lines form no part of the claimed design.

1 Claim, 7 Drawing Sheets



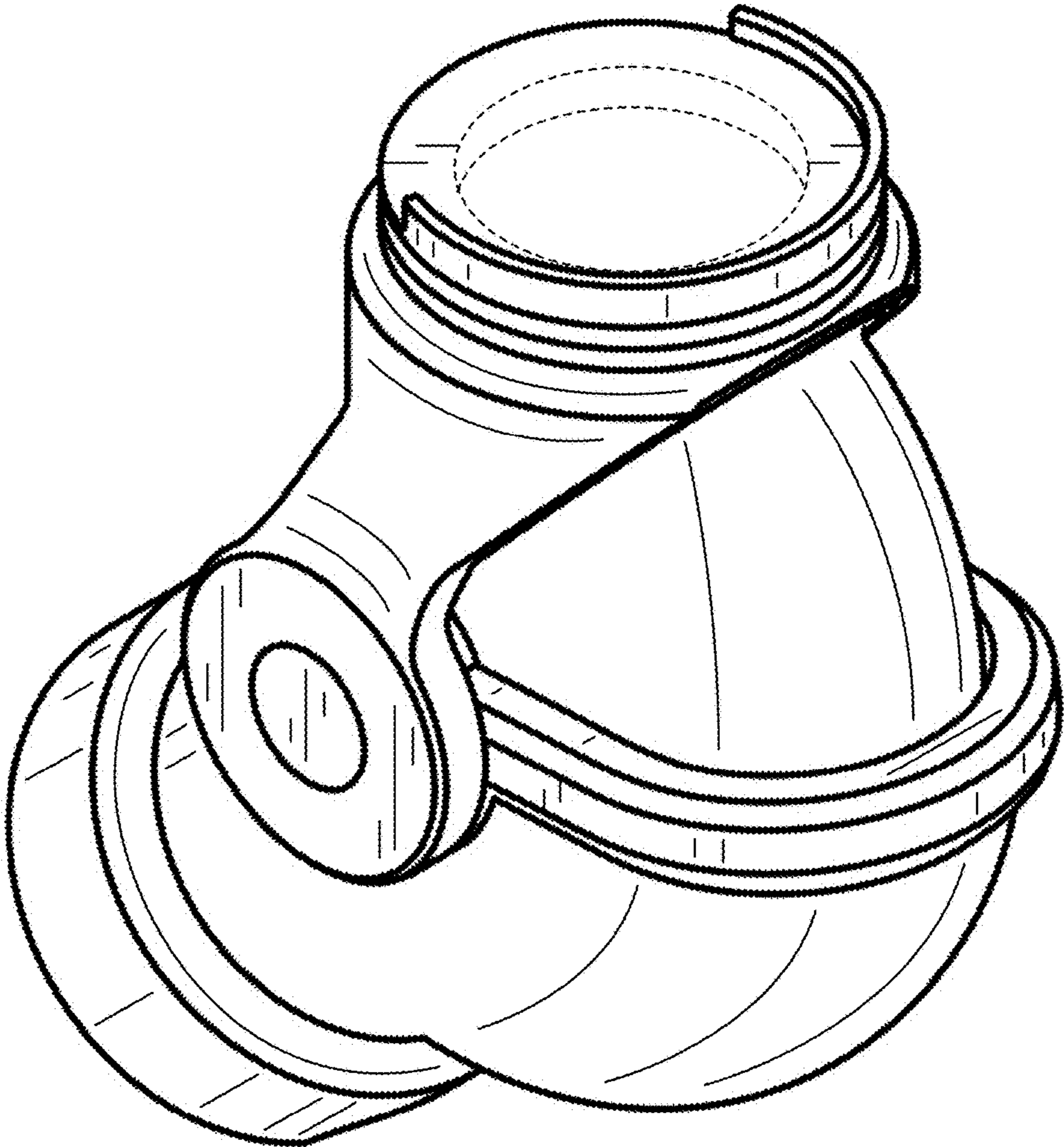


FIG. 1

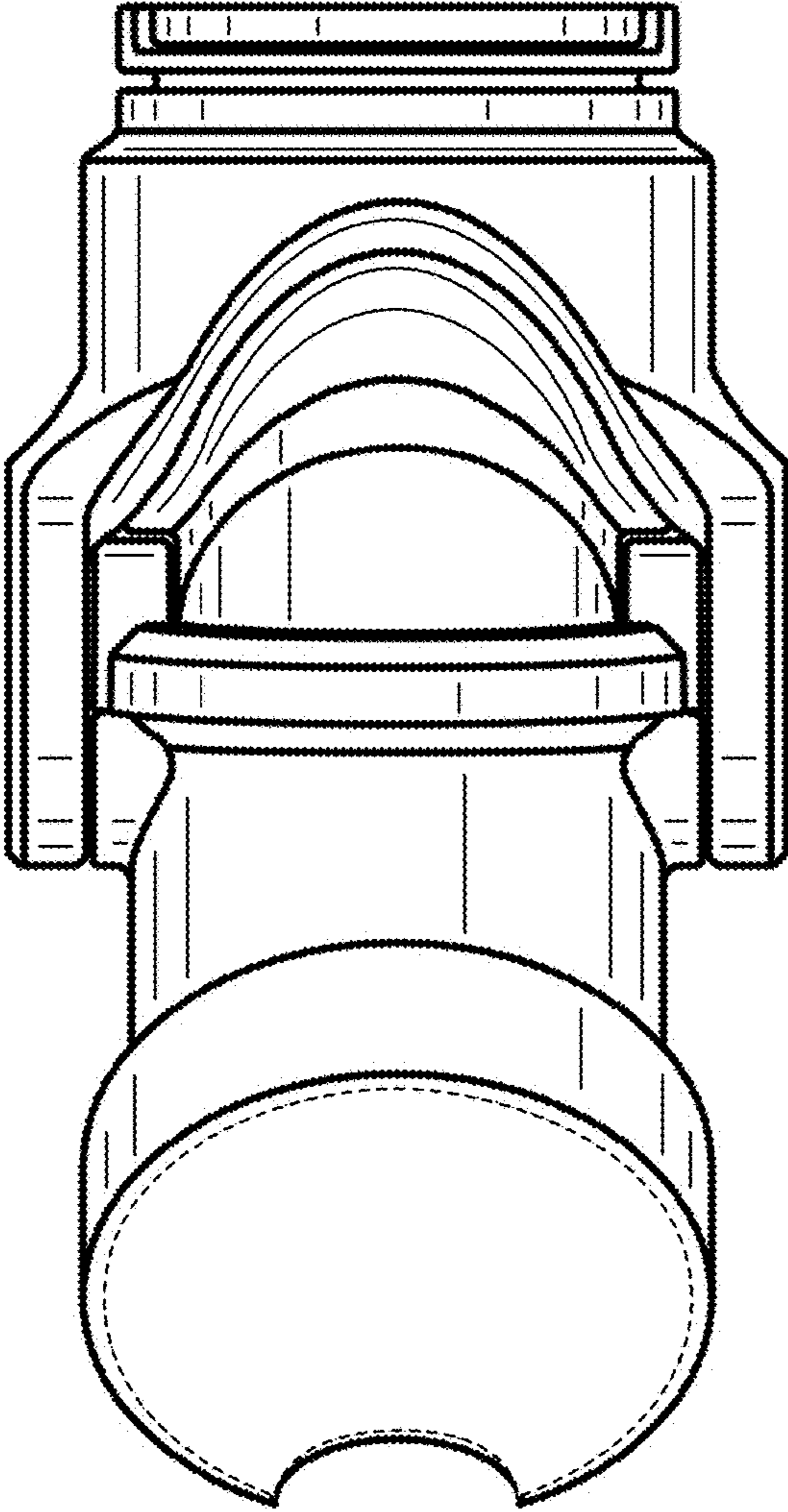


FIG. 2

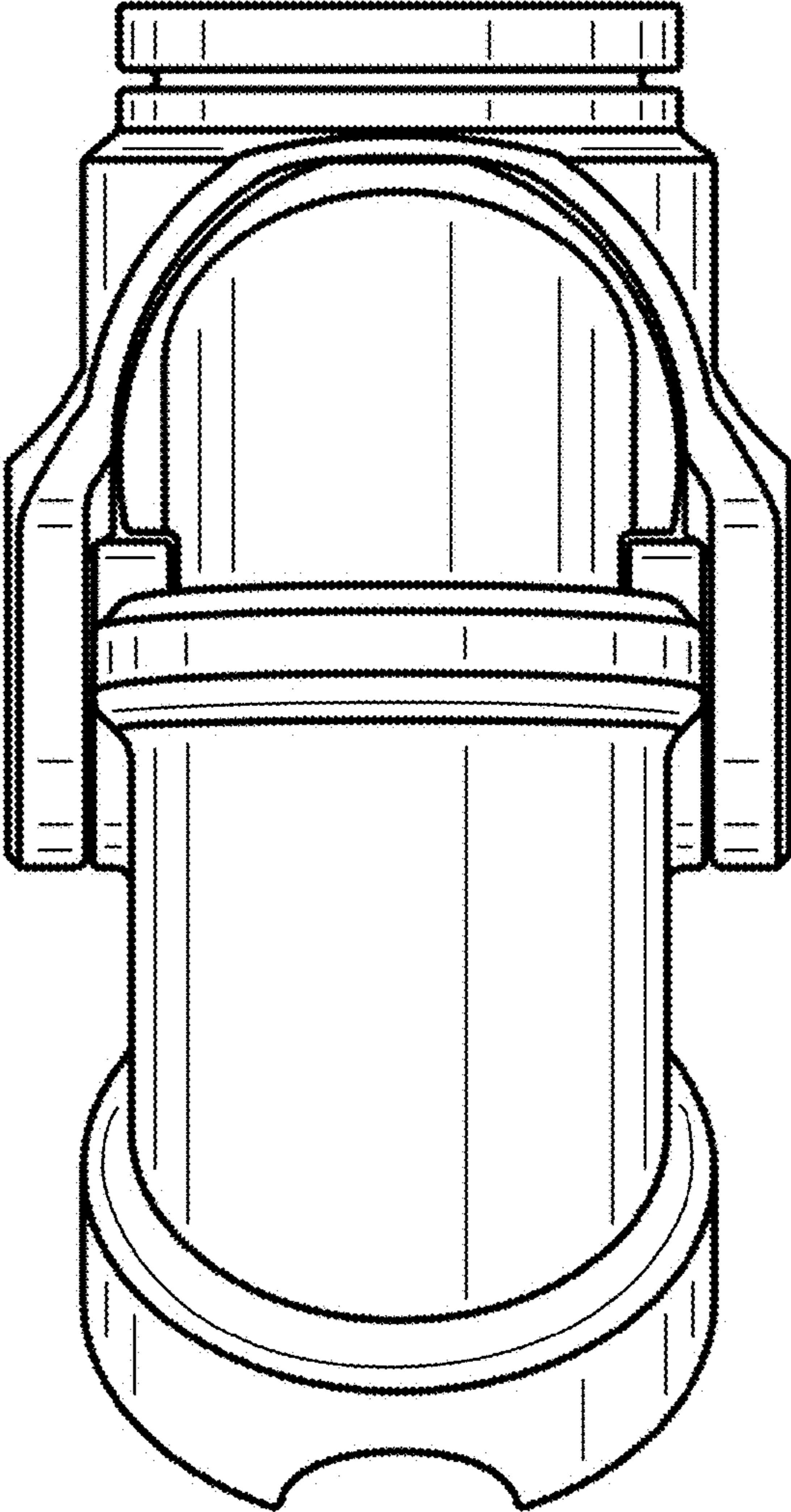


FIG. 3

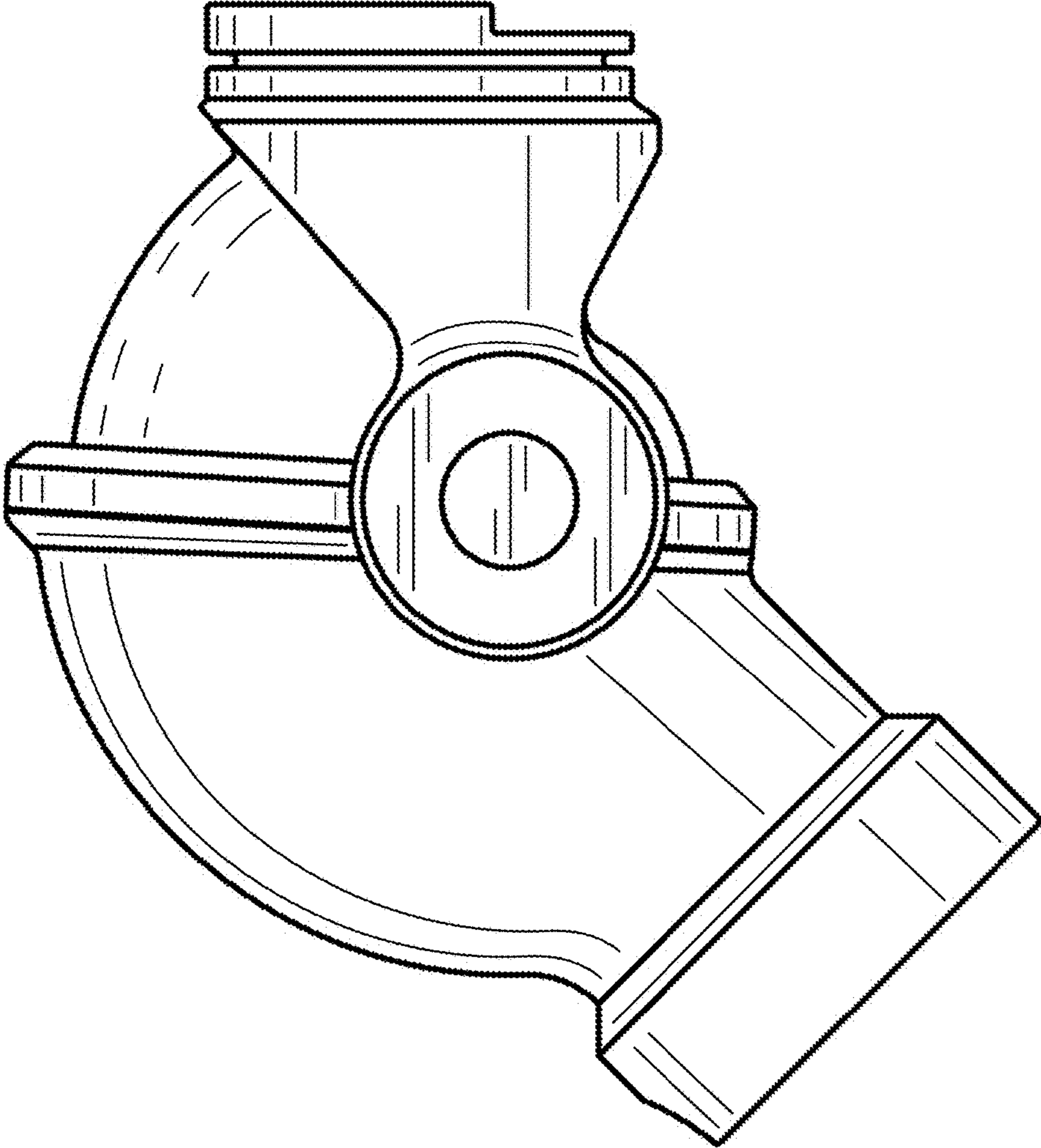


FIG. 4

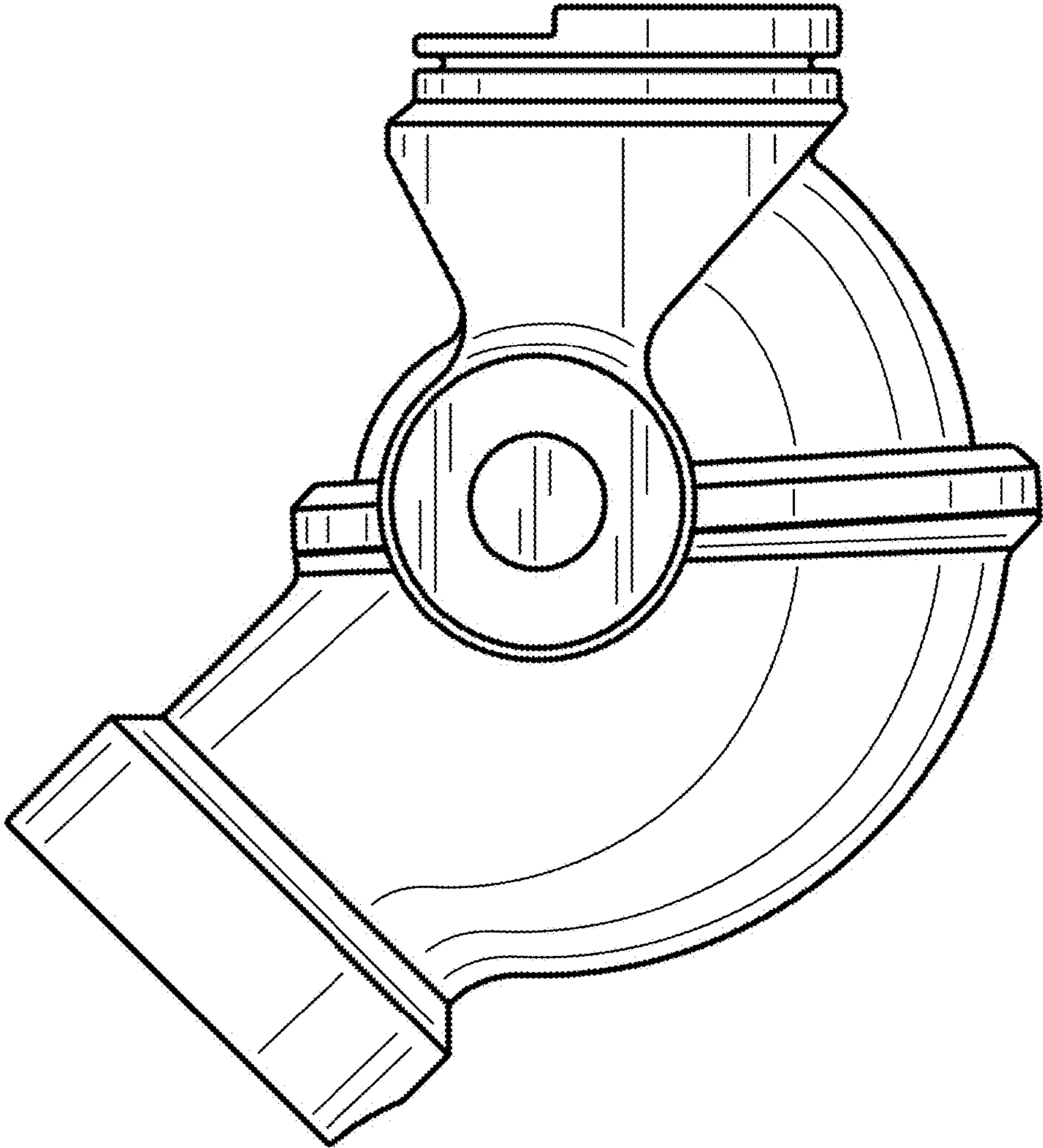


FIG. 5

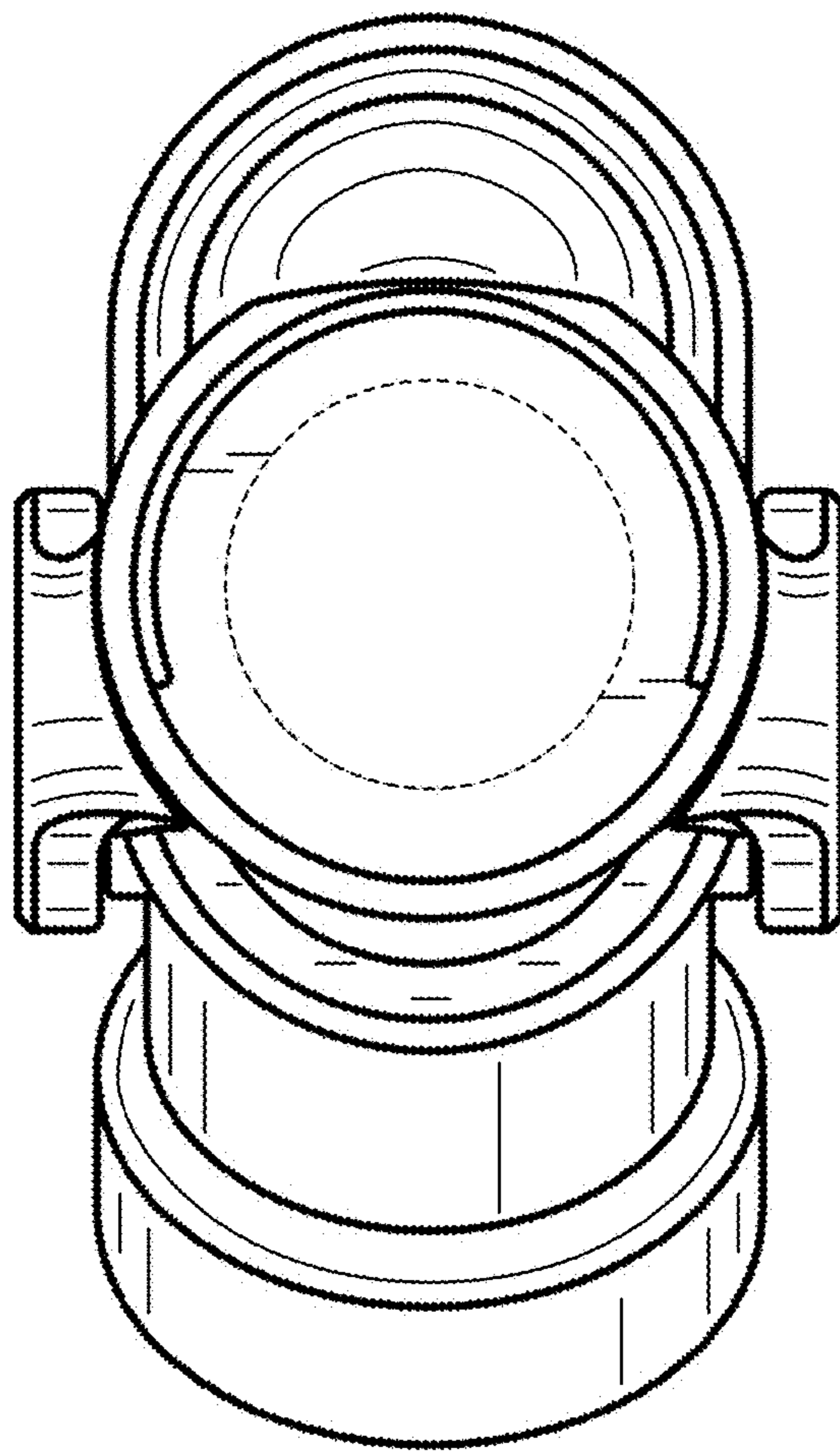


FIG. 6

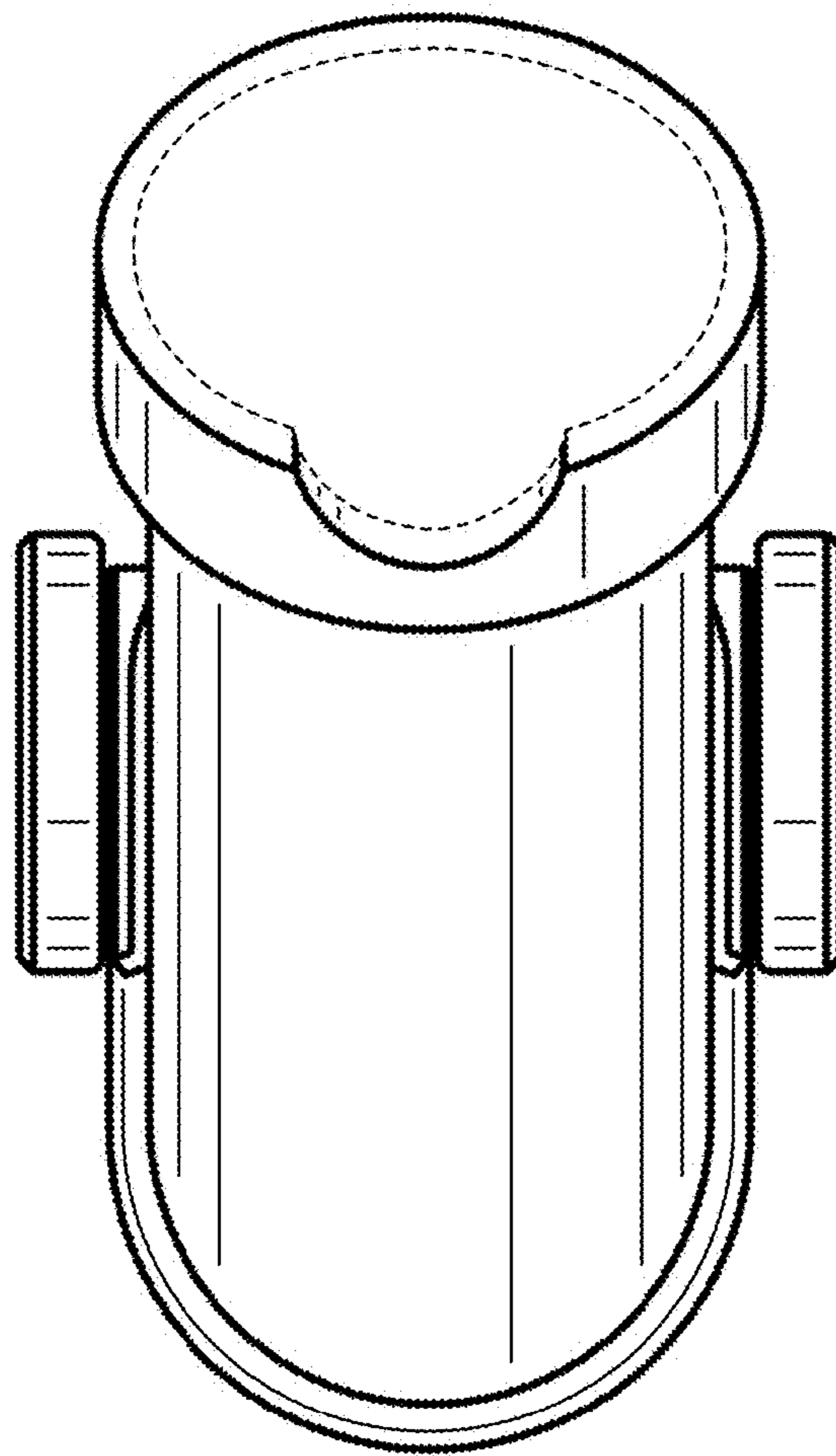


FIG. 7