



US00D869799S

(12) **United States Design Patent** (10) **Patent No.:** **US D869,799 S**
Ayers et al. (45) **Date of Patent:** **** Dec. 10, 2019**

(54) **WASHING MACHINE**

(56) **References Cited**

(71) Applicant: **WHIRLPOOL CORPORATION**,
Benton Harbor, MI (US)

(72) Inventors: **Kevin B. Ayers**, St. Joseph, MI (US);
Abhijeet Bhattacharya, Lehi, UT
(US); **Seth E. Bixby**, Stevensville, MI
(US); **Andrew Kubasiak**, St. Joseph,
MI (US); **Michael R. Mackay**, St.
Joseph, MI (US); **David Miller**,
Zeeland, MI (US)

(73) Assignee: **Whirlpool Corporation**, Benton
Harbor, MI (US)

(**) Term: **15 Years**

(21) Appl. No.: **29/697,777**

(22) Filed: **Jul. 11, 2019**

U.S. PATENT DOCUMENTS

D489,496 S	5/2004	Sneddon
D589,215 S	3/2009	Cho et al.
D618,865 S	6/2010	Cline et al.
D620,656 S	7/2010	Bixby et al.
D627,115 S	11/2010	Jeon et al.
D631,623 S	1/2011	Chung et al.
D648,084 S	11/2011	Browne et al.
D681,892 S	5/2013	Meda et al.
D697,680 S	1/2014	Hwang et al.
D704,907 S	5/2014	Yoo et al.
D708,800 S	7/2014	Choi et al.
D711,605 S	8/2014	Jo et al.
D718,505 S	11/2014	Hyoungsub et al.
D729,995 S	5/2015	Song
D739,096 S	9/2015	Qin et al.
D748,355 S	1/2016	Sim et al.

(Continued)

Primary Examiner — Brett Miller
Assistant Examiner — Yolanda Robinson
 (74) *Attorney, Agent, or Firm* — Price Heneveld LLP

(57) **CLAIM**

The ornamental design for a washing machine, as shown and described.

DESCRIPTION

FIG. 1 is a perspective view of a washing machine according to our design;
 FIG. 2 is a front elevation view thereof;
 FIG. 3 is a back elevation view thereof;
 FIG. 4 is a left side elevation view thereof;
 FIG. 5 is a right side elevation view thereof;
 FIG. 6 is a top plan view thereof; and,
 FIG. 7 is a bottom plan view thereof.
 The broken lines showing portions of the article form no part of the claimed design.
 Dash-dot lines adjacent un-shaded areas represent bounds of the claimed design and form no part thereof.
 Diagonal shading is used to represent transparency.

Related U.S. Application Data

(60) Continuation of application No. 29/672,999, filed on Dec. 11, 2018, which is a division of application No. 29/653,202, filed on Jun. 13, 2018, now Pat. No. Des. 839,513, which is a division of application No. 29/539,917, filed on Sep. 18, 2015, now Pat. No. Des. 822,924.

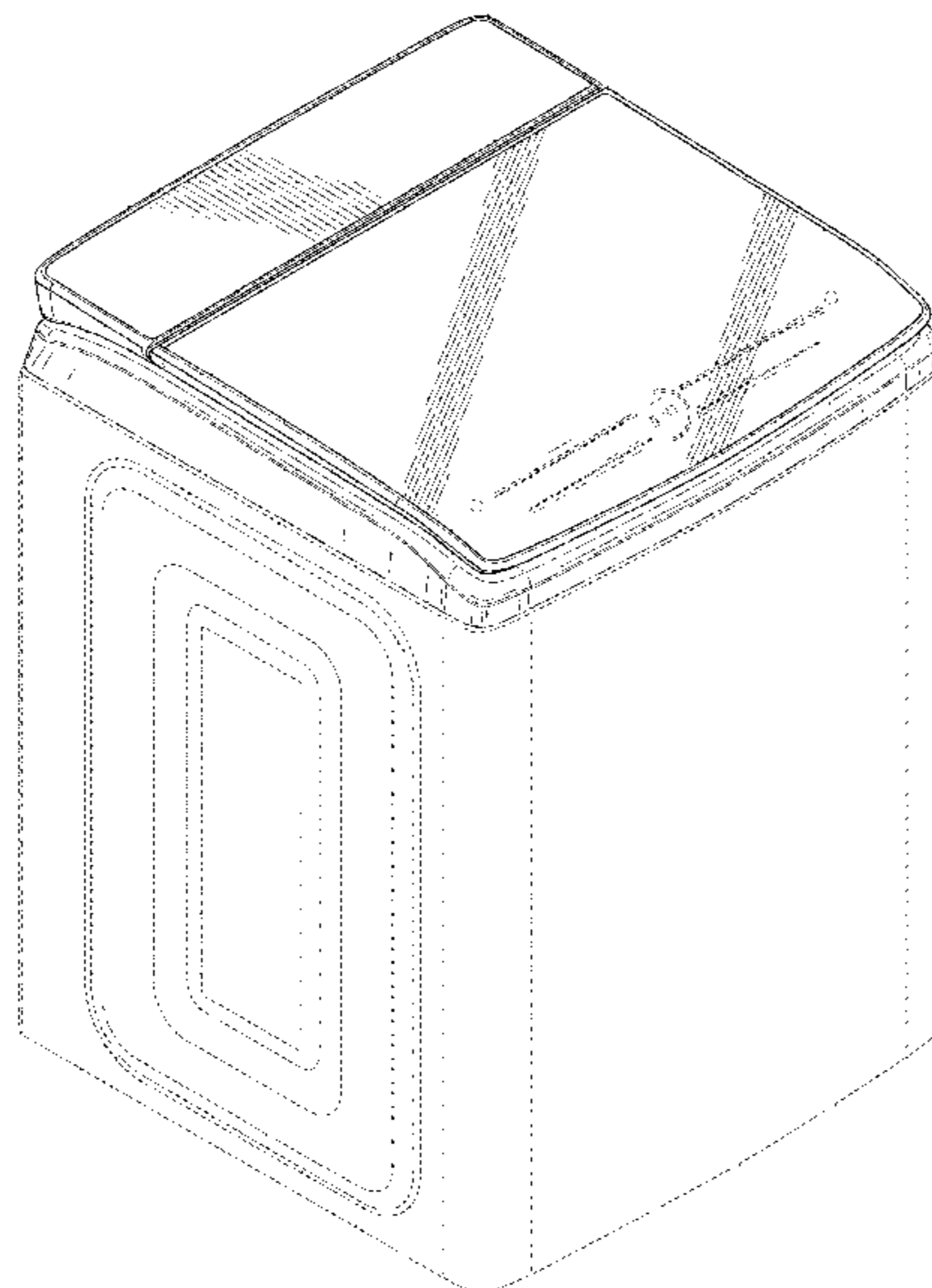
(51) **LOC (12) Cl.** **15-05**

(52) **U.S. Cl.**
USPC **D32/25**

(58) **Field of Classification Search**
USPC D32/1, 5-6, 8, 25, 28, 29
CPC D06F 58/00; D06F 58/02; D06F 58/04;
D06F 58/20; D06F 23/04; D06F 39/14;
G05B 19/042

See application file for complete search history.

1 Claim, 7 Drawing Sheets



(56)

References Cited

U.S. PATENT DOCUMENTS

D754,937 S	4/2016	Kim et al.	
D758,028 S	5/2016	Bixby et al.	
D758,680 S	6/2016	Hoffman et al.	
D759,325 S *	6/2016	Jeon	D32/6
D759,915 S	6/2016	Choi et al.	
D760,454 S	6/2016	Joo et al.	
D760,968 S	7/2016	Choi et al.	
D761,506 S	7/2016	Choi et al.	
D762,025 S	7/2016	Joo et al.	
D762,027 S	7/2016	Choi et al.	
D764,120 S *	8/2016	Choi	D32/6
D771,335 S *	11/2016	Yoon	D32/25
D772,504 S *	11/2016	Kang	D32/25
D775,437 S *	12/2016	Yoon	D32/6
D775,438 S *	12/2016	Kang	D32/6
D778,010 S	1/2017	Choi et al.	
9,605,372 B2	3/2017	Kim et al.	
D783,213 S *	4/2017	Jeon	D32/6
D783,214 S *	4/2017	Jeon	D32/6
D788,386 S *	5/2017	Kang	D32/25
D789,628 S	6/2017	Kang et al.	
D798,006 S *	9/2017	Kang	D32/6
D809,221 S *	1/2018	Kim	D32/6
9,873,973 B2	1/2018	Park et al.	
9,909,248 B2	3/2018	Mora et al.	
D818,218 S *	5/2018	Liu	D32/6
D825,867 S *	8/2018	Yoon	D32/6
D833,694 S *	11/2018	Kang	D32/6
D839,516 S *	1/2019	Yoo	D32/25
2004/0068951 A1	4/2004	Bienick et al.	
2009/0229320 A1	9/2009	Yoo et al.	
2011/0089793 A1	4/2011	Kim et al.	
2013/0239626 A1	9/2013	Ekbundit	
2014/0210324 A1	7/2014	Kilgore et al.	
2014/0345063 A1	11/2014	Cavalli et al.	
2014/0373284 A1	12/2014	Leibman et al.	
2015/0076977 A1	3/2015	Kim et al.	
2015/0123521 A1	5/2015	Lee et al.	
2015/0145388 A1	5/2015	Jung et al.	
2015/0345069 A1	12/2015	Leibman et al.	
2016/0047077 A1	2/2016	Leibman et al.	
2016/0167858 A1	6/2016	Sanfilippo et al.	
2016/0194799 A1	7/2016	Nash et al.	
2018/0187363 A1	7/2018	Jang et al.	

* cited by examiner

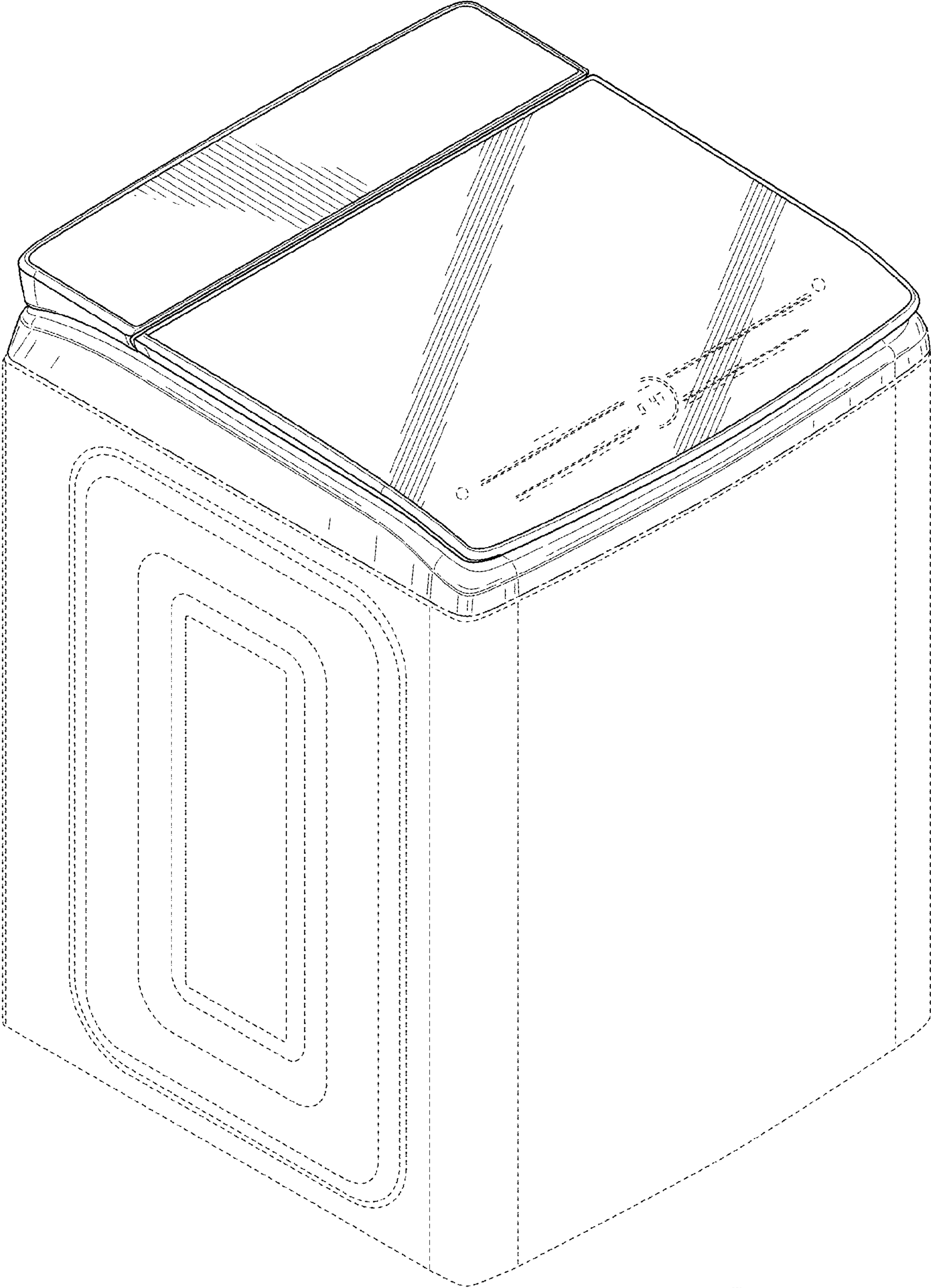


FIG. 1

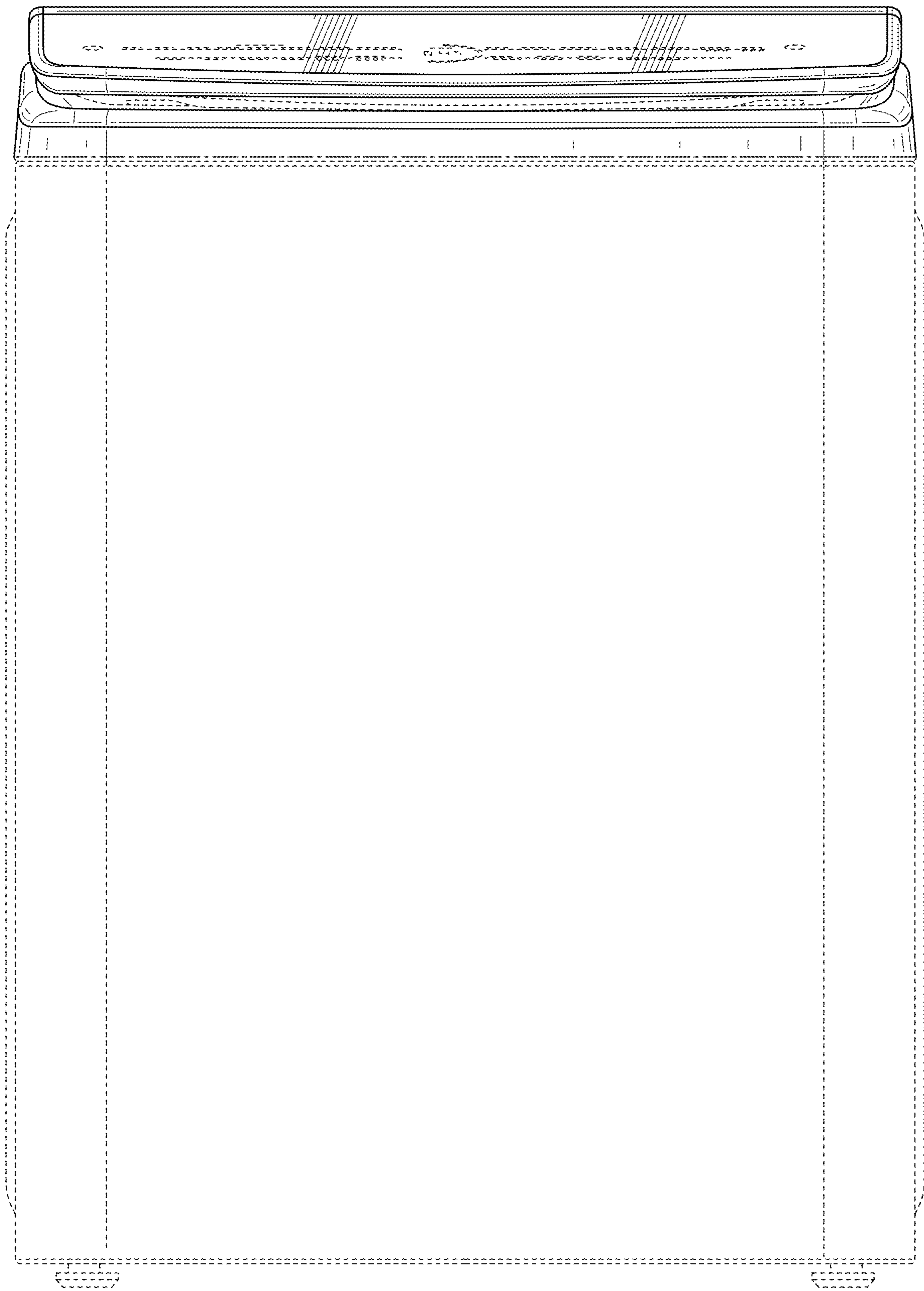


FIG. 2

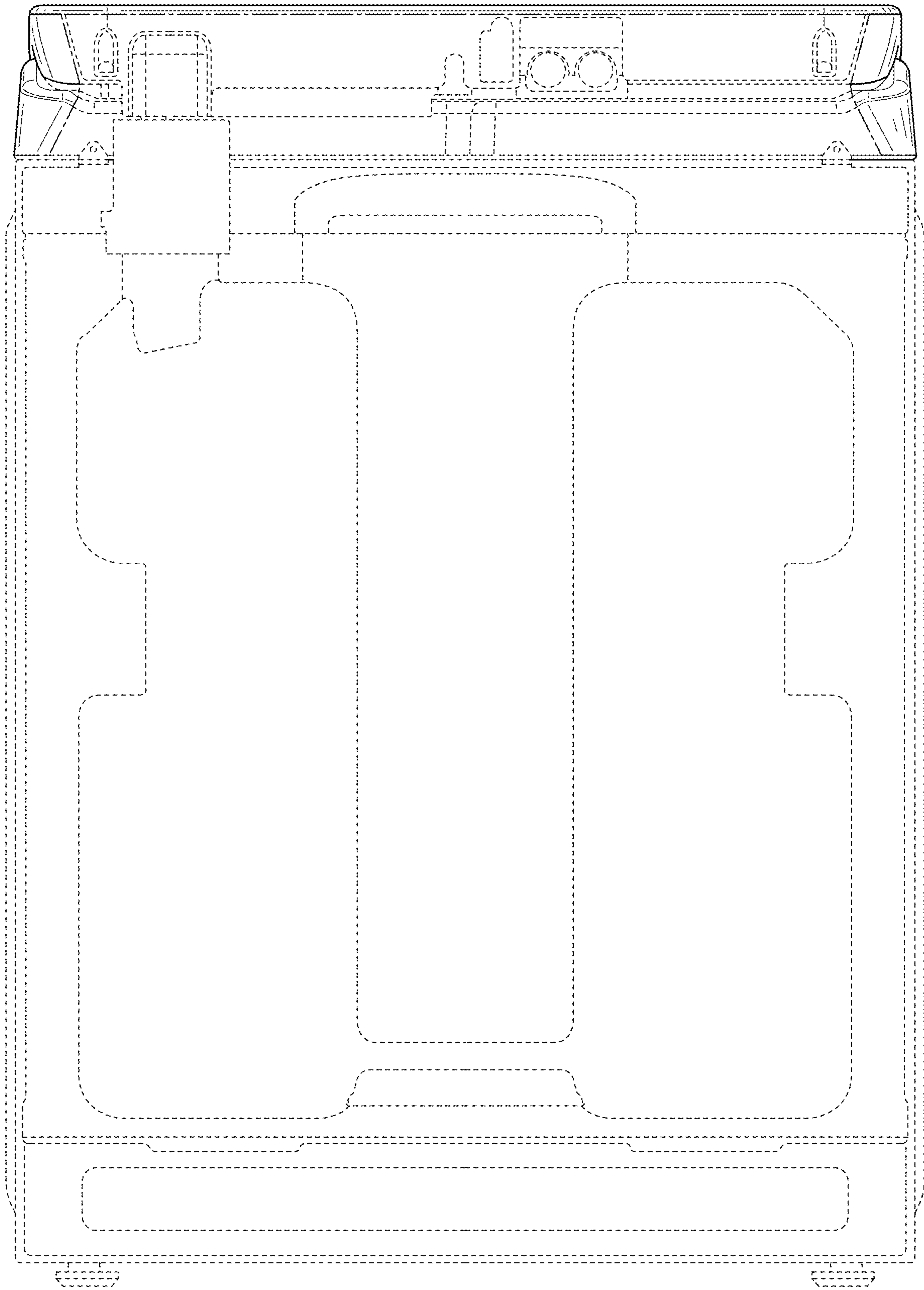


FIG. 3

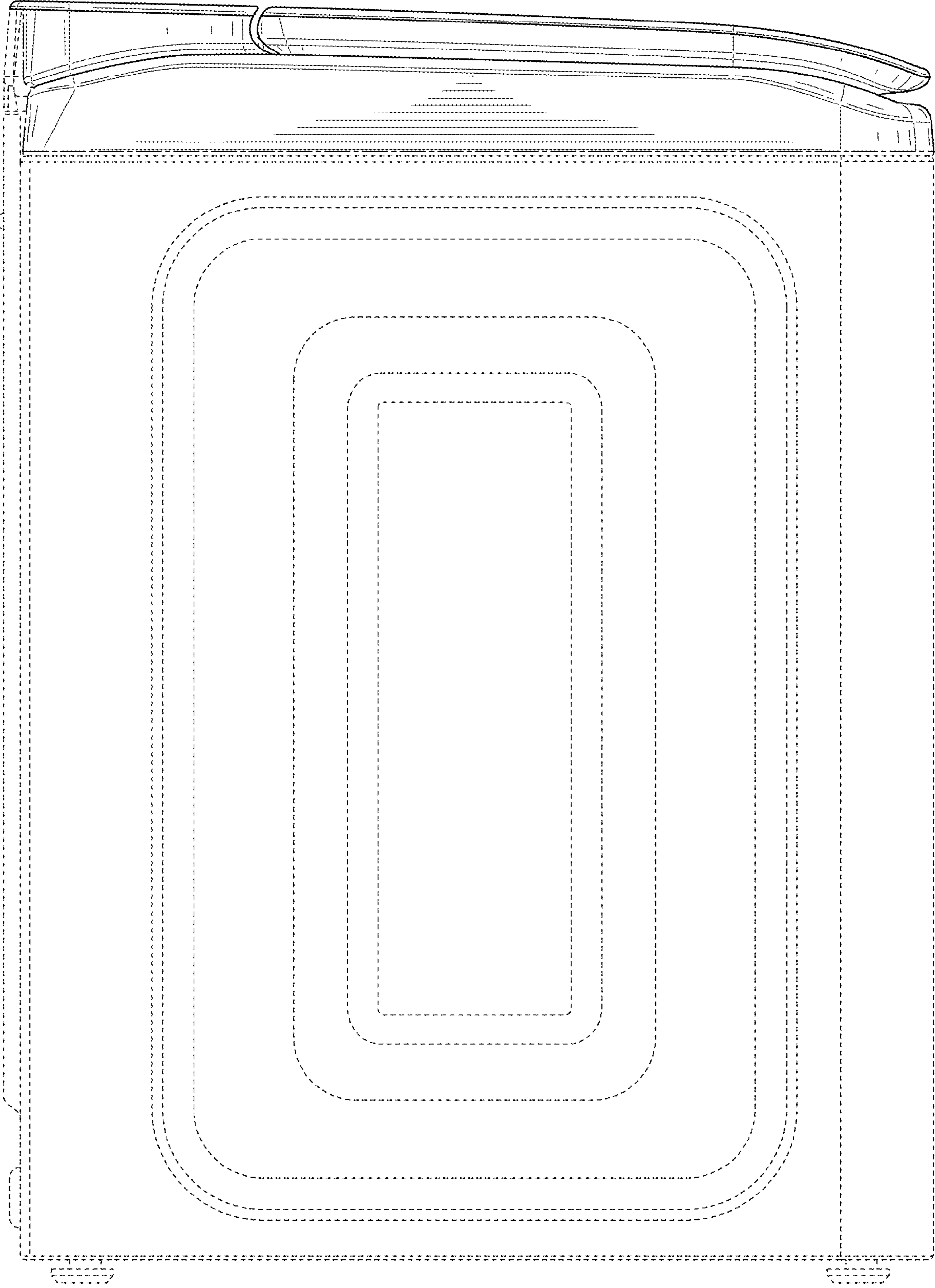


FIG. 4

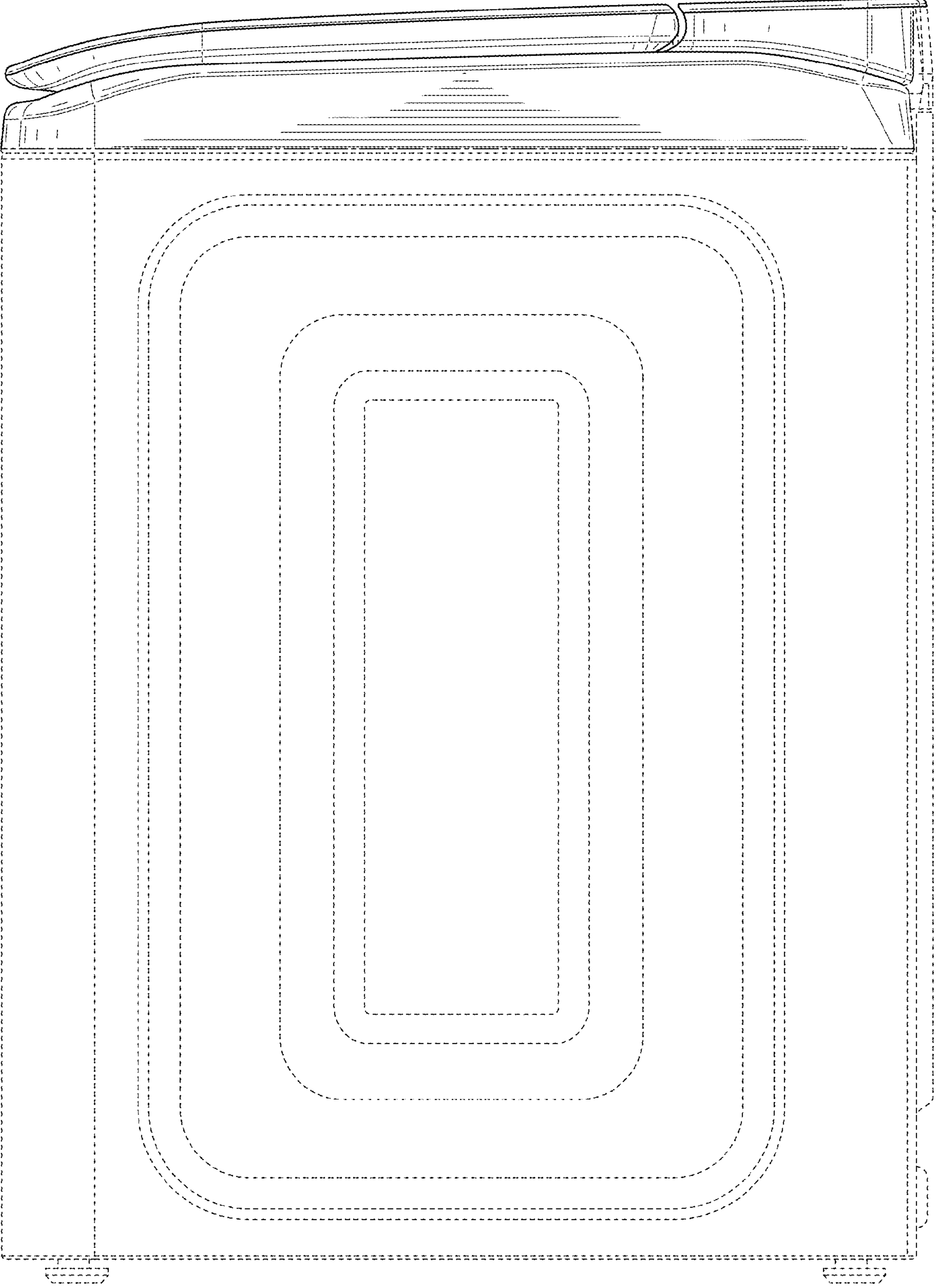


FIG. 5

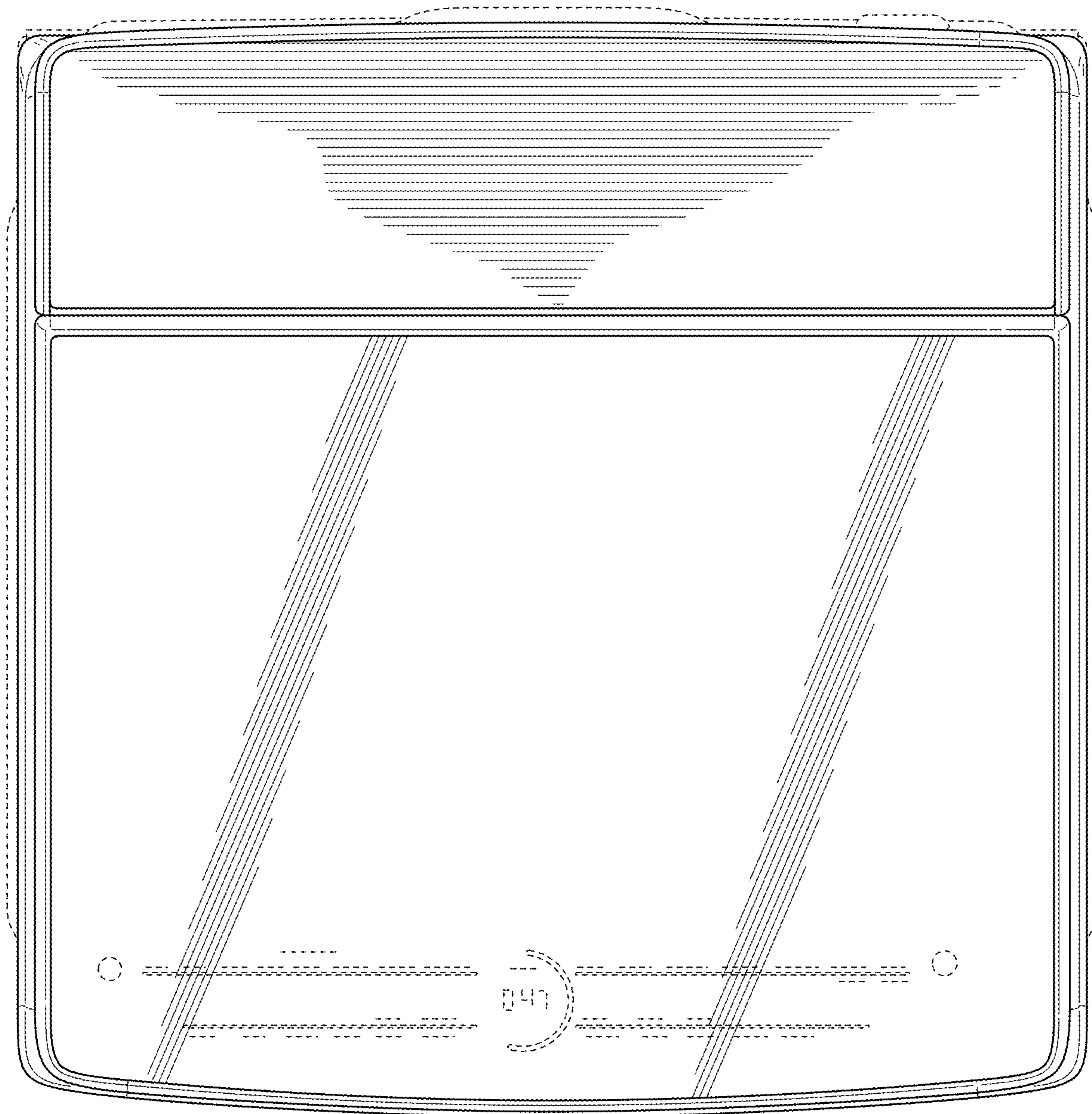


FIG. 6

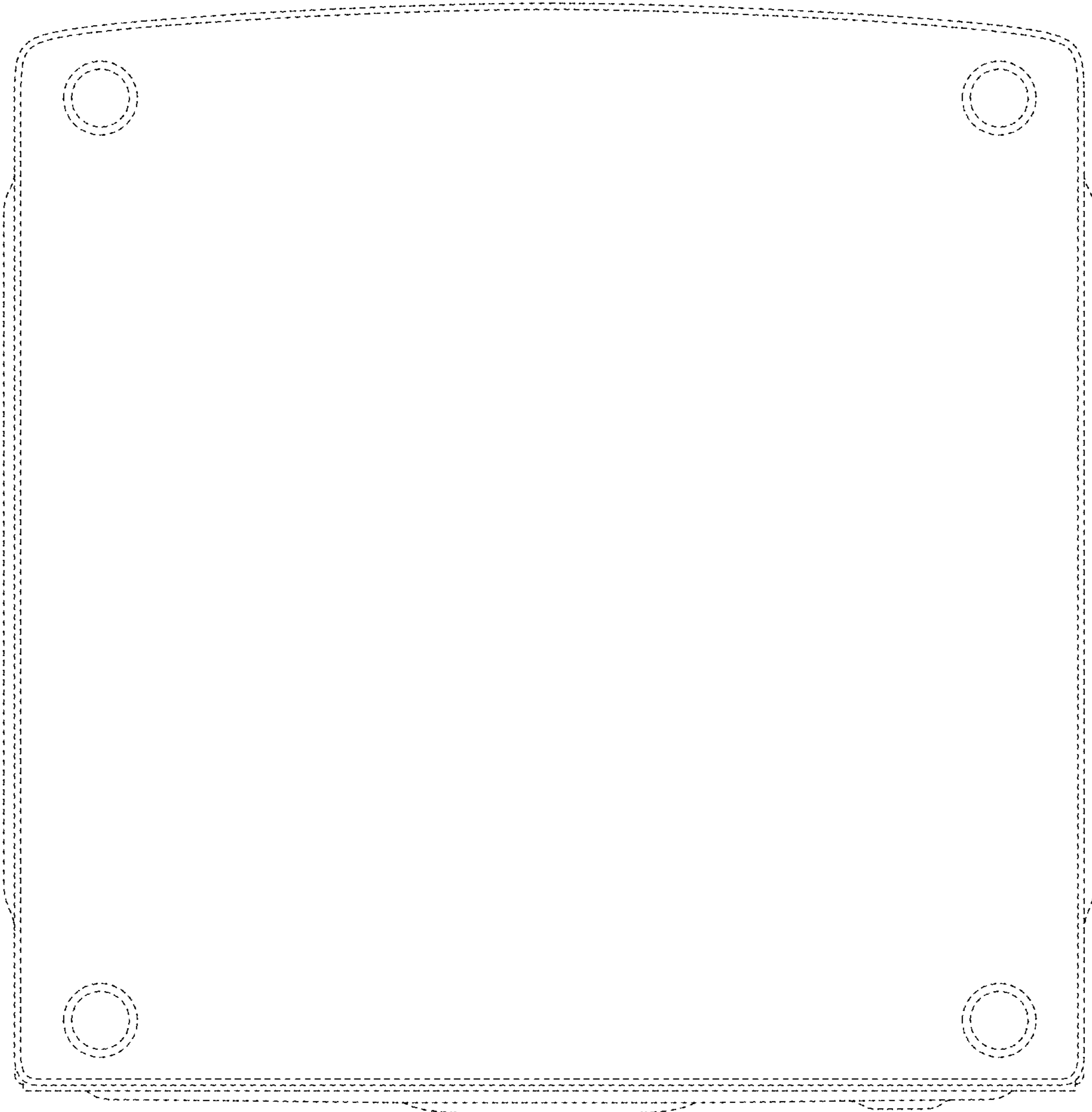


FIG. 7