

US00D869798S

(12) **United States Design Patent**
Zhou

(10) **Patent No.:** **US D869,798 S**

(45) **Date of Patent:** **** Dec. 10, 2019**

(54) **VACUUM CLEANER**

(71) Applicant: **ShenZhen HaoHongYuan technology Co., Ltd.,** Shenzhen (CN)

(72) Inventor: **Xiao-Jiang Zhou,** Shenzhen (CN)

(73) Assignee: **ShenZhen HaoHongYuan technology Co., Ltd.,** Shenzhen (CN)

(**) Term: **15 Years**

(21) Appl. No.: **29/654,924**

(22) Filed: **Jun. 28, 2018**

(51) **LOC (12) Cl.** **15-05**

(52) **U.S. Cl.**
USPC **D32/22**

(58) **Field of Classification Search**
USPC D32/22, 31, 17
CPC A47L 11/20; A47L 11/34; A47L 11/40;
A47L 11/4016; A47L 5/28; A47L 5/24;
A47L 7/02

See application file for complete search history.

(56) **References Cited**

U.S. PATENT DOCUMENTS

D307,656 S	*	5/1990	Yuen	D32/22
D359,604 S	*	6/1995	Sovis	D32/22
D483,160 S	*	12/2003	Houghton	D32/18
D574,563 S	*	8/2008	Fjellman	D32/22

D615,717 S	*	5/2010	Butts	D32/22
D677,844 S	*	3/2013	Nicora	D32/22
D680,286 S	*	4/2013	Gray	D32/22
D728,176 S	*	4/2015	Yu	D32/22
9,439,548 B2	*	9/2016	Jenson	A47L 9/0477
D784,635 S	*	4/2017	Xiao	D32/22
D796,129 S	*	8/2017	Jang	D32/22
D816,926 S	*	5/2018	Crawley	D32/22
10,092,155 B2	*	10/2018	Xia	A47L 11/302

* cited by examiner

Primary Examiner — Ruth McInroy

(74) *Attorney, Agent, or Firm* — ScienBiziP, P.C.

(57) **CLAIM**

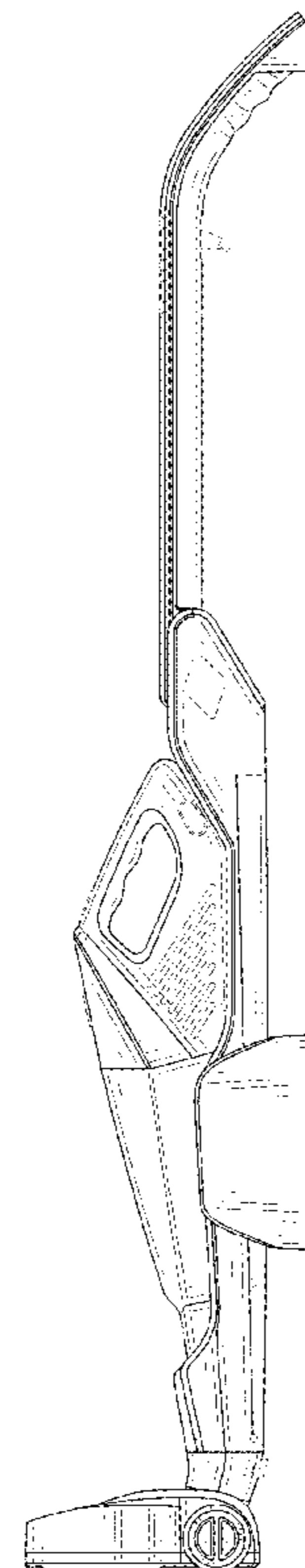
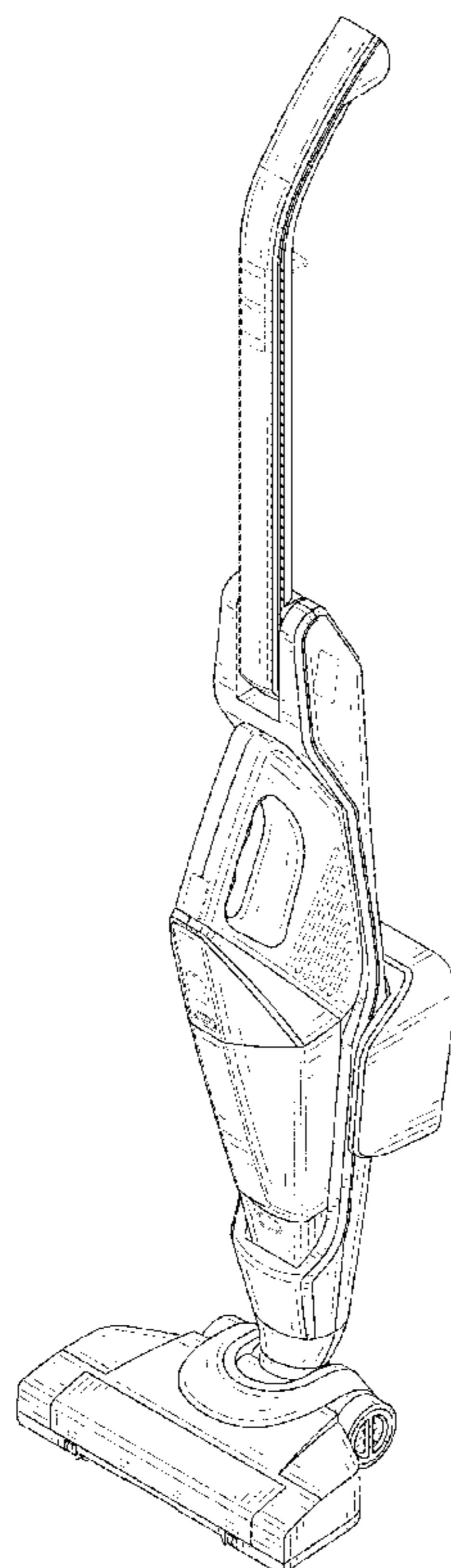
The ornamental design for a vacuum cleaner, as shown and described.

DESCRIPTION

FIG. 1 is a top and front perspective view of a vacuum cleaner showing my new design;
FIG. 2 is a bottom and rear perspective view thereof;
FIG. 3 is a front elevation view thereof;
FIG. 4 is a rear elevation view thereof;
FIG. 5 is a left side elevation view thereof;
FIG. 6 is a right side elevation view thereof;
FIG. 7 is a top plan view thereof; and,
FIG. 8 is a bottom plan view thereof.

The details shown in broken lines form no part of the claimed design.

1 Claim, 8 Drawing Sheets



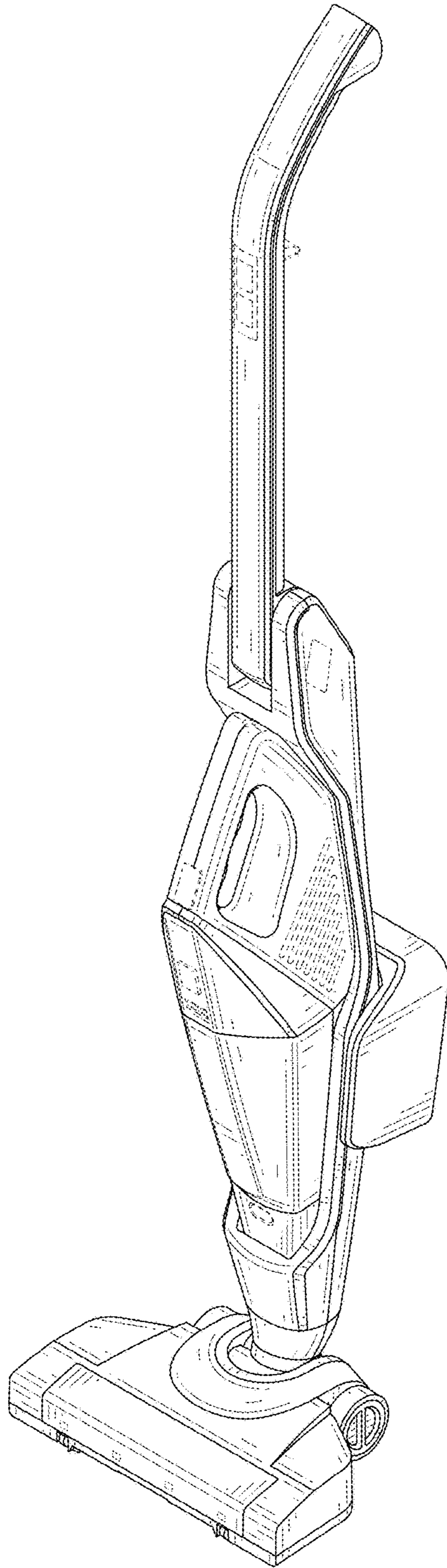


FIG. 1

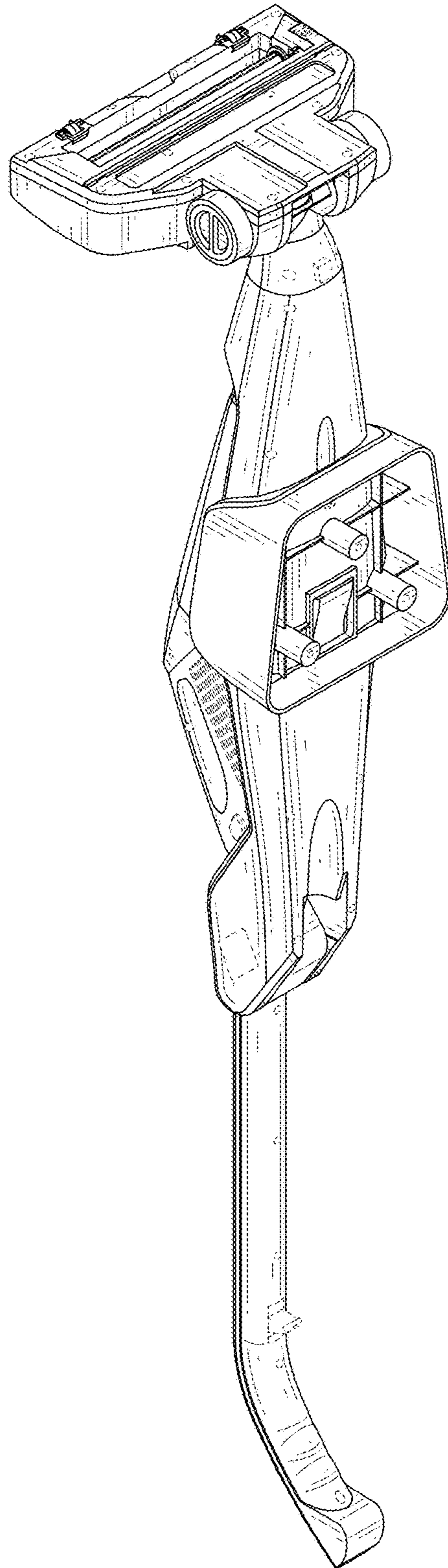


FIG. 2

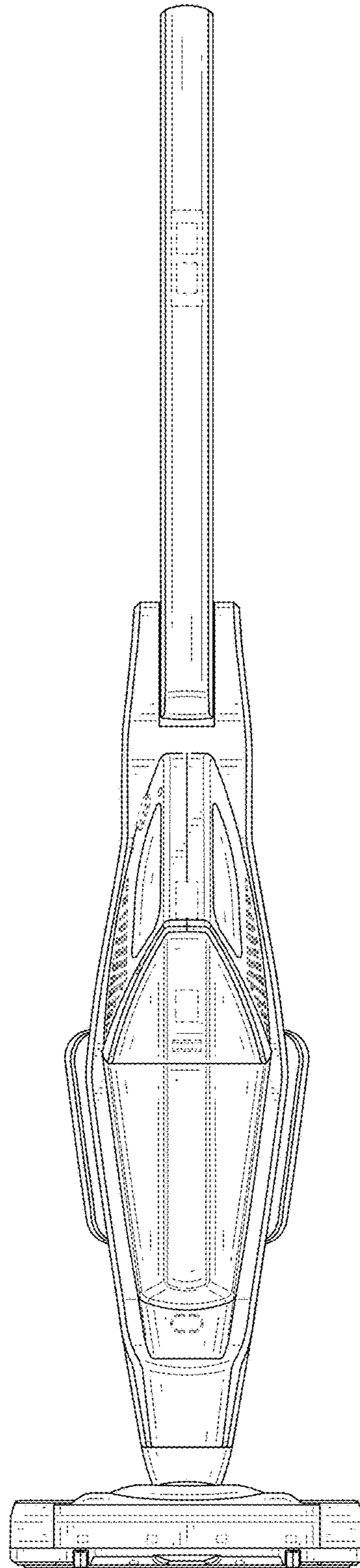


FIG. 3

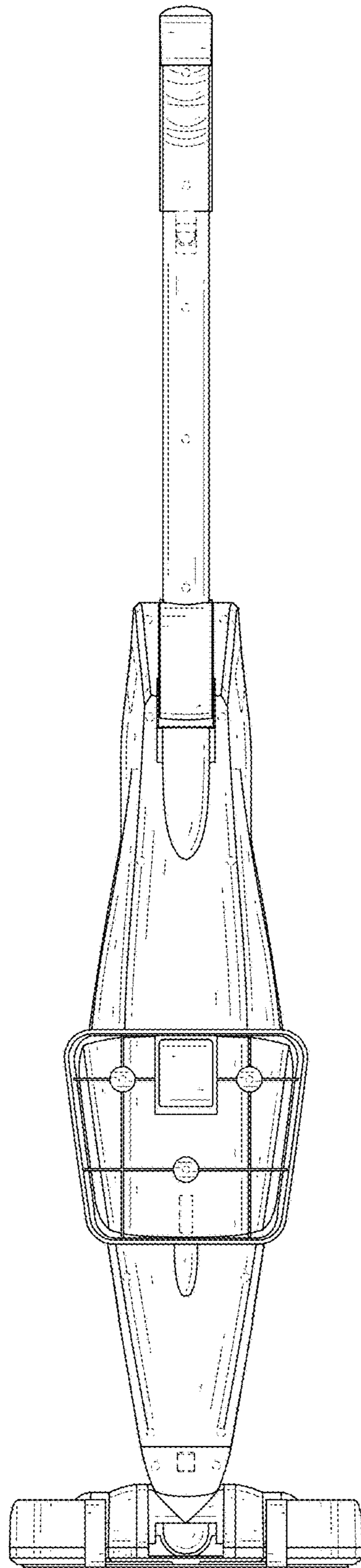


FIG. 4

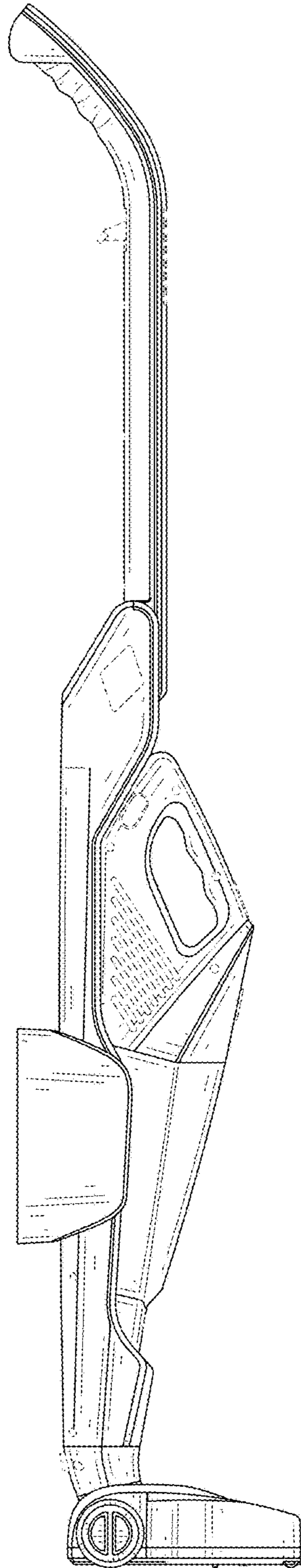


FIG. 5

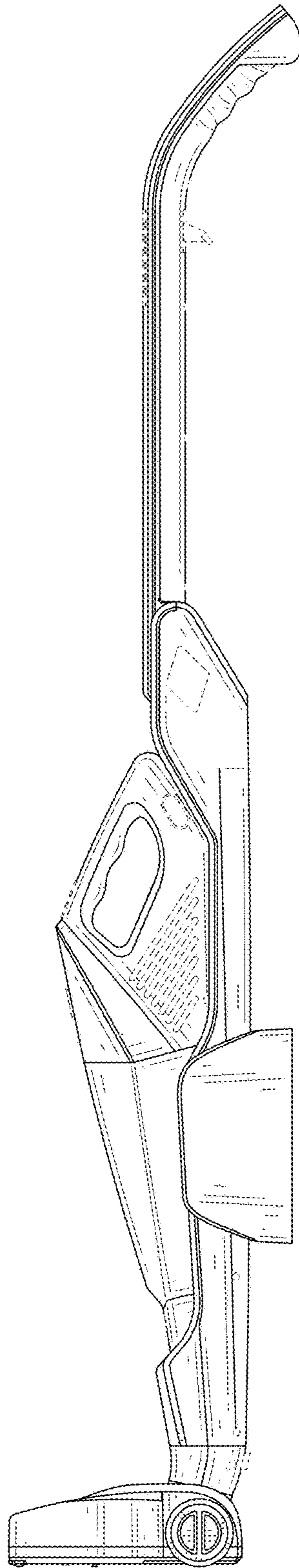


FIG. 6

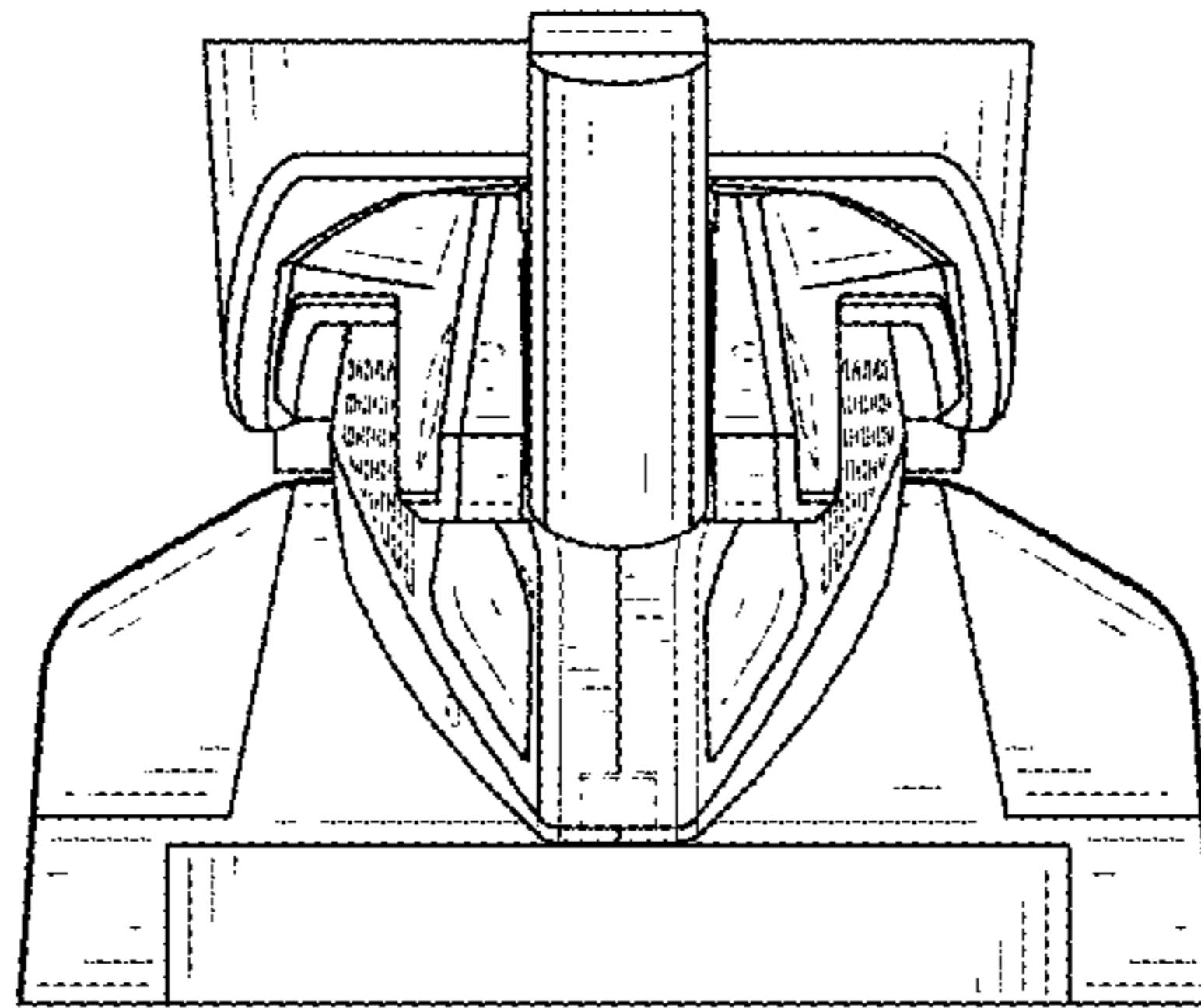


FIG. 7

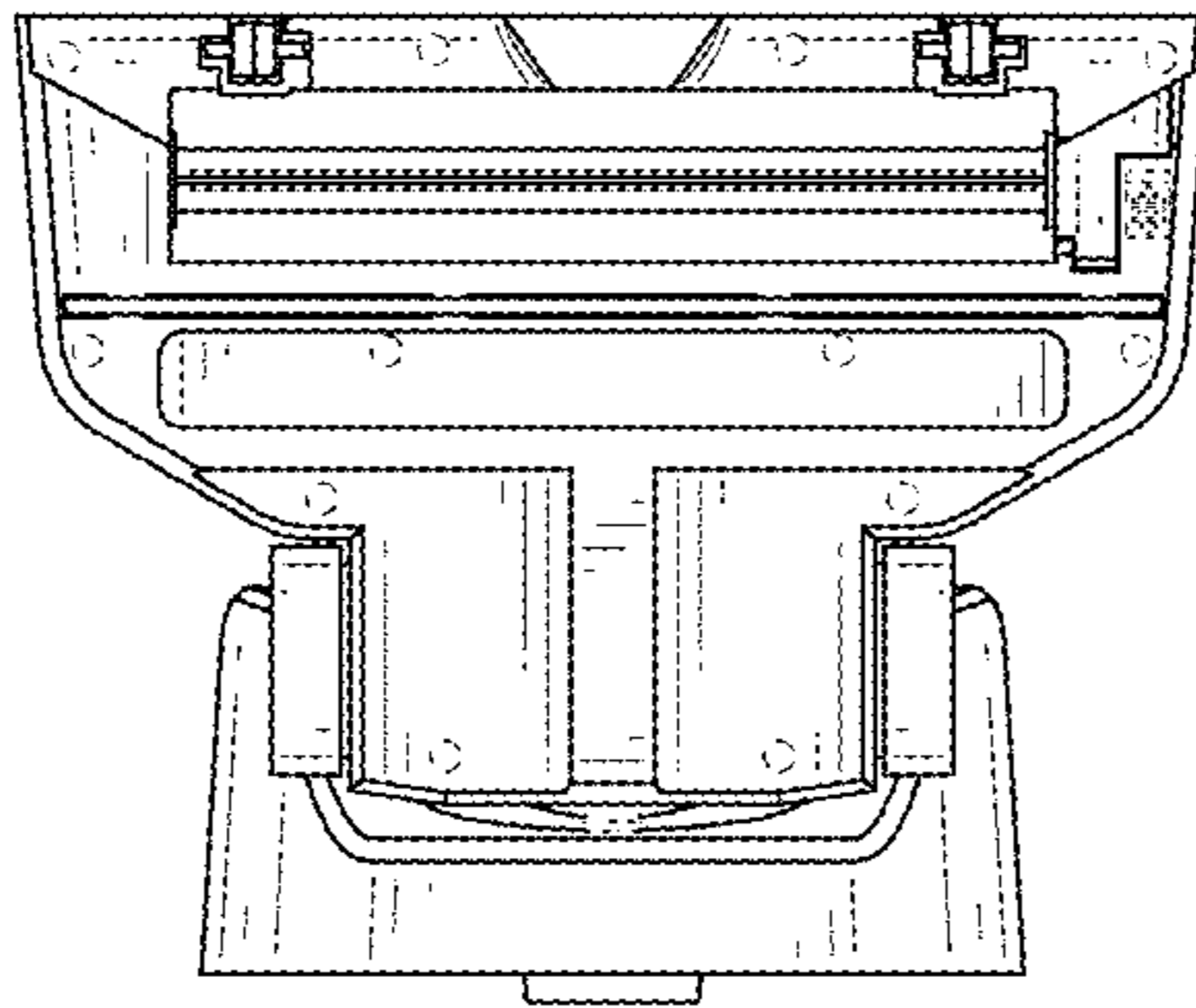


FIG. 8