



US00D869797S

(12) **United States Design Patent**
Chei et al.

(10) **Patent No.:** **US D869,797 S**

(45) **Date of Patent:** **** Dec. 10, 2019**

- (54) **ROBOTIC VACUUM CLEANER**
- (71) Applicant: **SharkNinja Operating, LLC**,
Needham, MA (US)
- (72) Inventors: **Junghwan Chei**, Chestnut Hill, MA
(US); **Owen R. Johnson**, Needham,
MA (US)
- (73) Assignee: **SharkNinja Operating LLC**,
Needham, MA (US)
- (**) Term: **15 Years**
- (21) Appl. No.: **29/658,931**
- (22) Filed: **Aug. 3, 2018**

Related U.S. Application Data

- (63) Continuation of application No. 29/611,769, filed on
Jul. 25, 2017, now Pat. No. Des. 843,671.
- (51) **LOC (12) Cl.** **15-05**
- (52) **U.S. Cl.**
USPC **D32/21**
- (58) **Field of Classification Search**
USPC D32/21, 31; D13/108-109; 15/319
CPC E04H 4/1654; A47L 2201/00; A47L
2201/02; A47L 2201/04; A47L 2201/06;
A47L 9/0461; A47L 9/2805; B25J 9/1694
See application file for complete search history.

References Cited

U.S. PATENT DOCUMENTS

D524,495 S	7/2006	Ljunggren	
D548,902 S	8/2007	Chun et al.	
D548,903 S	8/2007	Chun et al.	
D556,961 S *	12/2007	Swyst	D32/21
D596,815 S	7/2009	Baek	
D602,215 S	10/2009	Ljunggren	
D658,341 S	4/2012	Nam et al.	
D659,311 S	5/2012	Geringer et al.	

D660,530 S	5/2012	Geringer et al.	
D665,547 S *	8/2012	Nam	D32/21
D669,235 S *	10/2012	Bassett	D32/21
D670,877 S *	11/2012	Geringer	D32/21
D690,478 S *	9/2013	Li	D32/21

(Continued)

FOREIGN PATENT DOCUMENTS

JP	1475310 S	7/2013
JP	1541696 S	1/2016

(Continued)

OTHER PUBLICATIONS

Tokusengai, Jan. 3, 2016, vol. 38, No. 2, p. 60 (Roomba, Publicly known document No. HA28001207 of JPO Design Division), listed on JP Notice of References received with Notice of Allowance dated May 17, 2018 in JP Application No. 2018-001435, 2 pgs.

Primary Examiner — Ruth McInroy

(74) *Attorney, Agent, or Firm* — Grossman Tucker
Perreault & Pflieger, PLLC

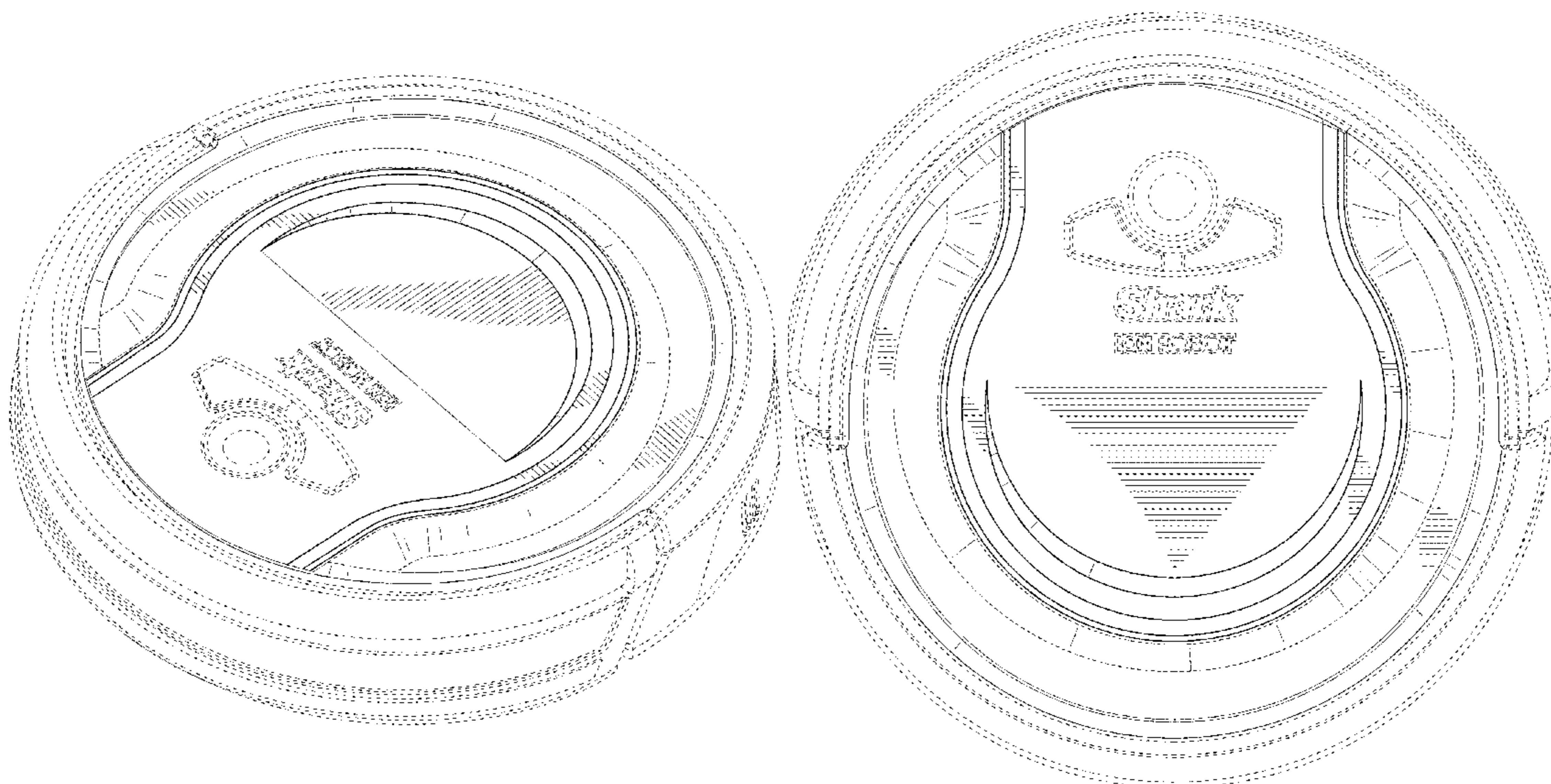
(57) **CLAIM**

The ornamental design of a robotic vacuum cleaner, as shown and described.

DESCRIPTION

FIG. 1 is a perspective view of a robotic vacuum cleaner, showing the new design;
FIG. 2 is a top view thereof;
FIG. 3 is a right side view thereof;
FIG. 4 is a left side view thereof;
FIG. 5 is a front view thereof;
FIG. 6 is a rear view thereof; and,
FIG. 7 is a bottom perspective view thereof.
The broken lines are included for the purpose of illustrating the unclaimed portions of the article and form no part of the claim.

1 Claim, 5 Drawing Sheets



(56)

References Cited

U.S. PATENT DOCUMENTS

D691,337 S 10/2013 Kim et al.
D703,397 S * 4/2014 Sungkyung D32/21
D714,002 S * 9/2014 Casini D32/21
D714,003 S * 9/2014 Casini D32/21
D715,504 S * 10/2014 Deoksang D32/21
D743,645 S 11/2015 Lee
D771,332 S 11/2016 Verhoorn et al.
D771,333 S 11/2016 Verhoorn
D771,884 S * 11/2016 Ninonniya D32/21
D774,717 S 12/2016 Choi et al.
D781,512 S 3/2017 Neumann et al.
D835,869 S * 12/2018 Li D32/21
D840,617 S * 2/2019 Dou D32/21

FOREIGN PATENT DOCUMENTS

JP 1545765 S 3/2016
KR 30-0845638 3/2016

* cited by examiner

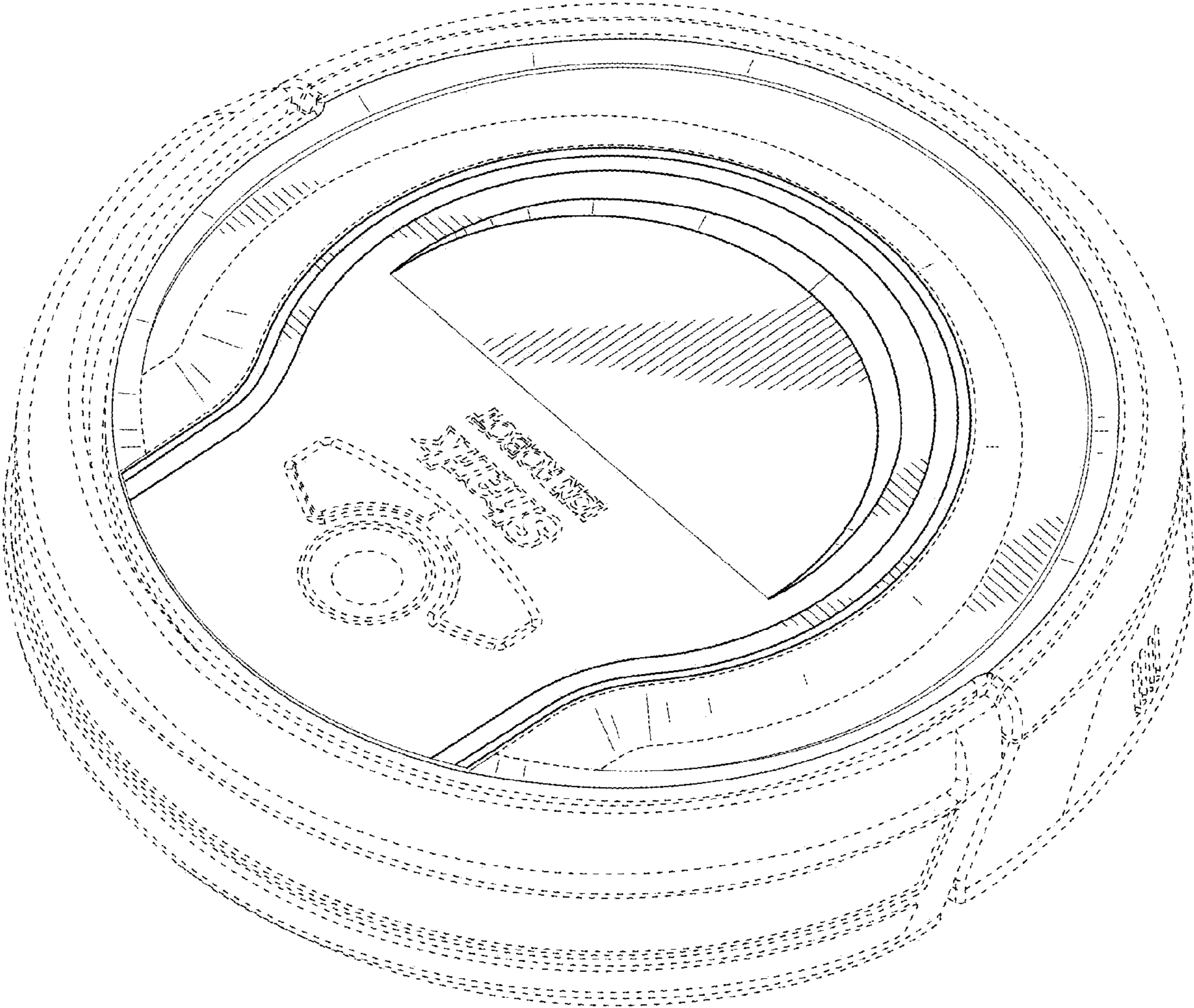


FIG. 1

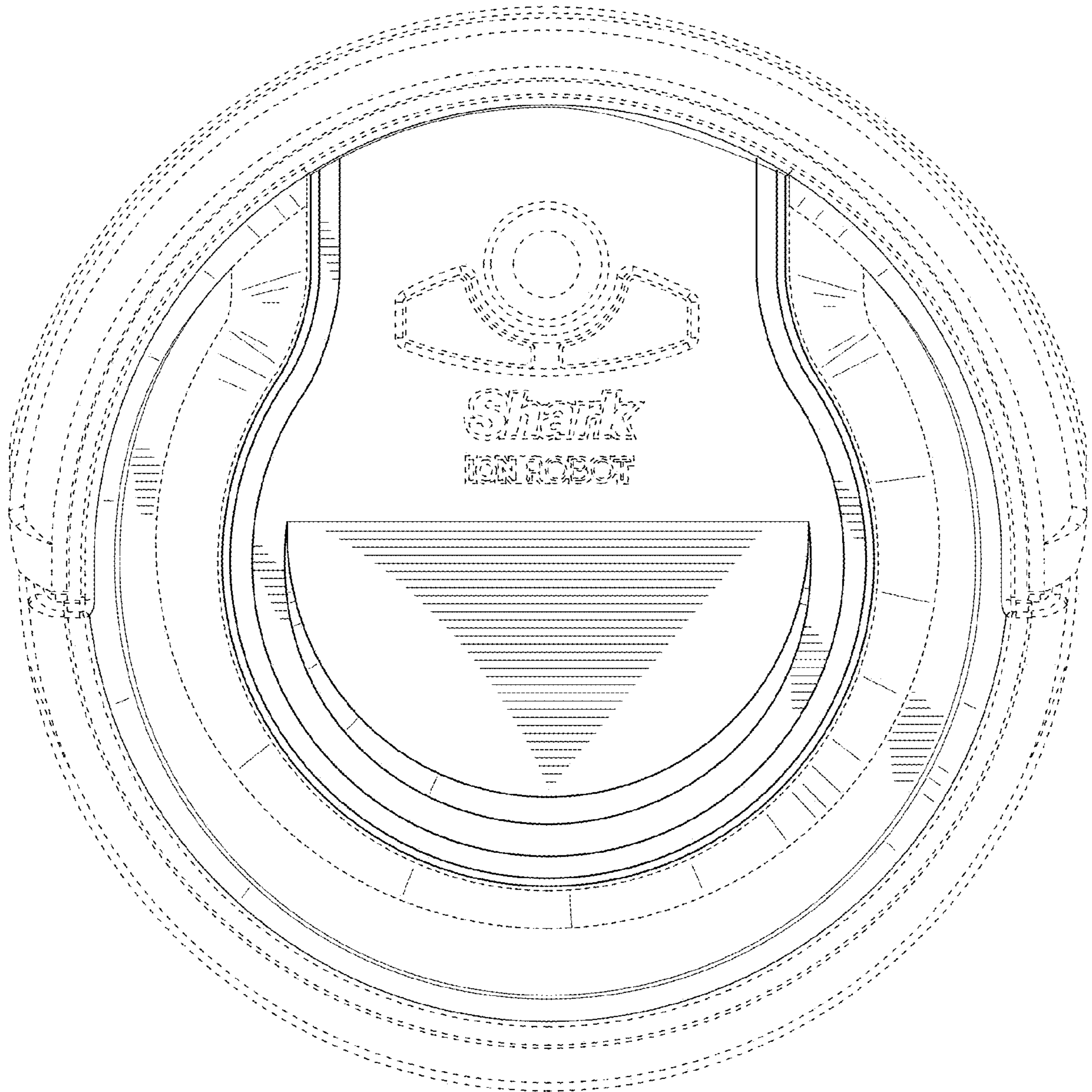


FIG. 2

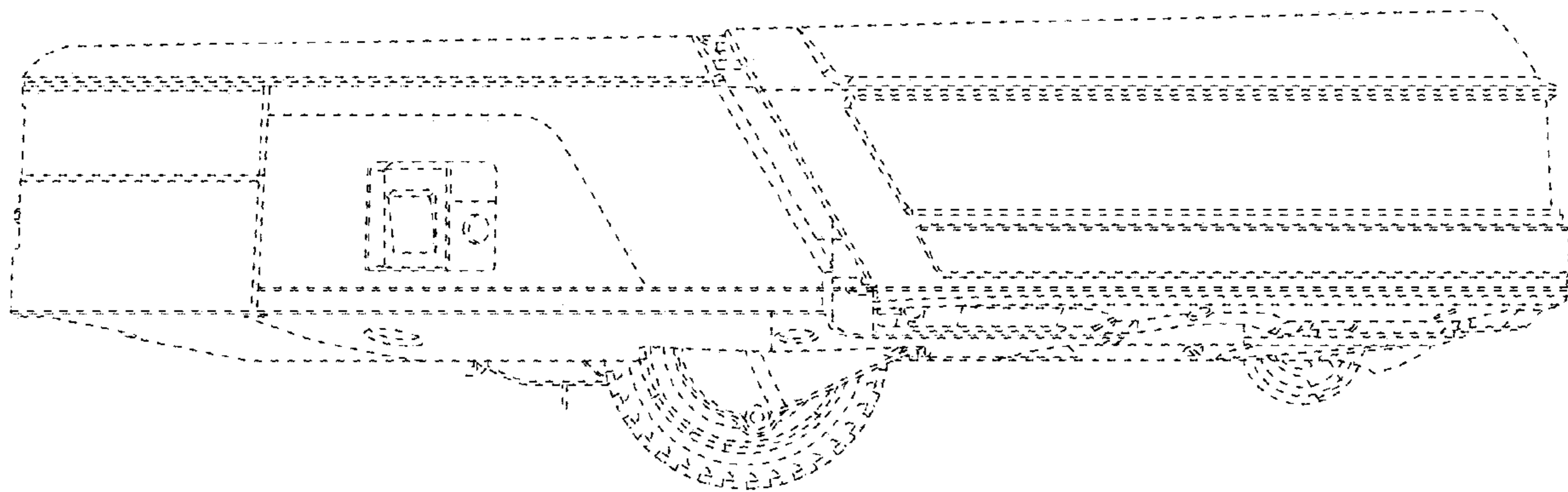


FIG. 3

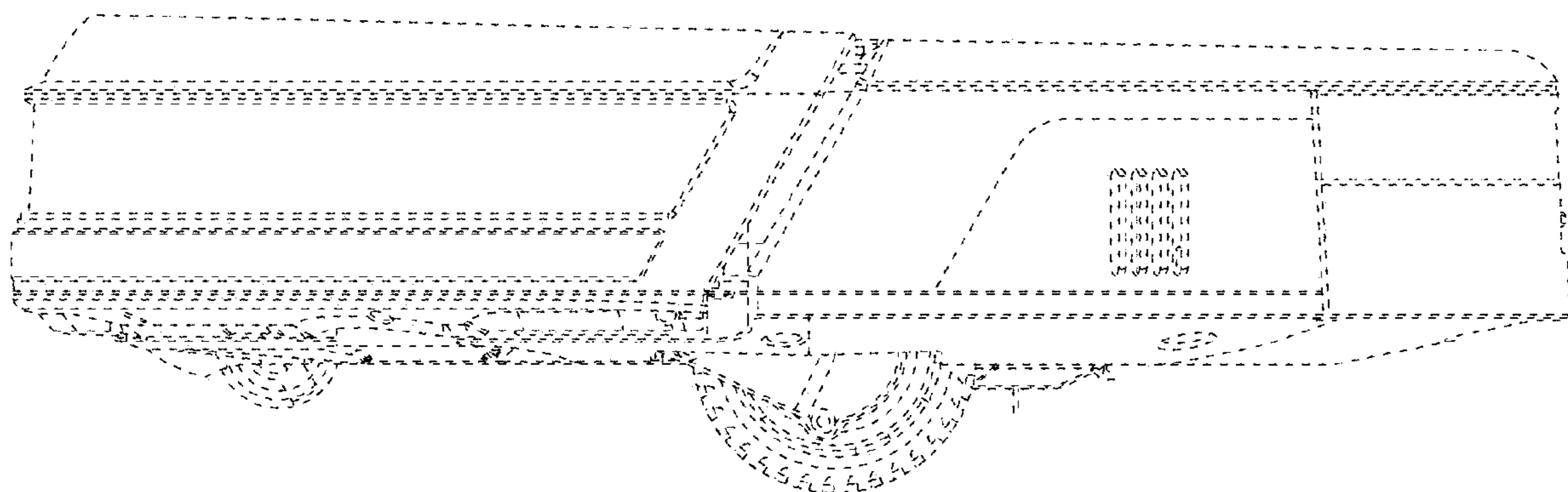


FIG. 4



FIG. 5

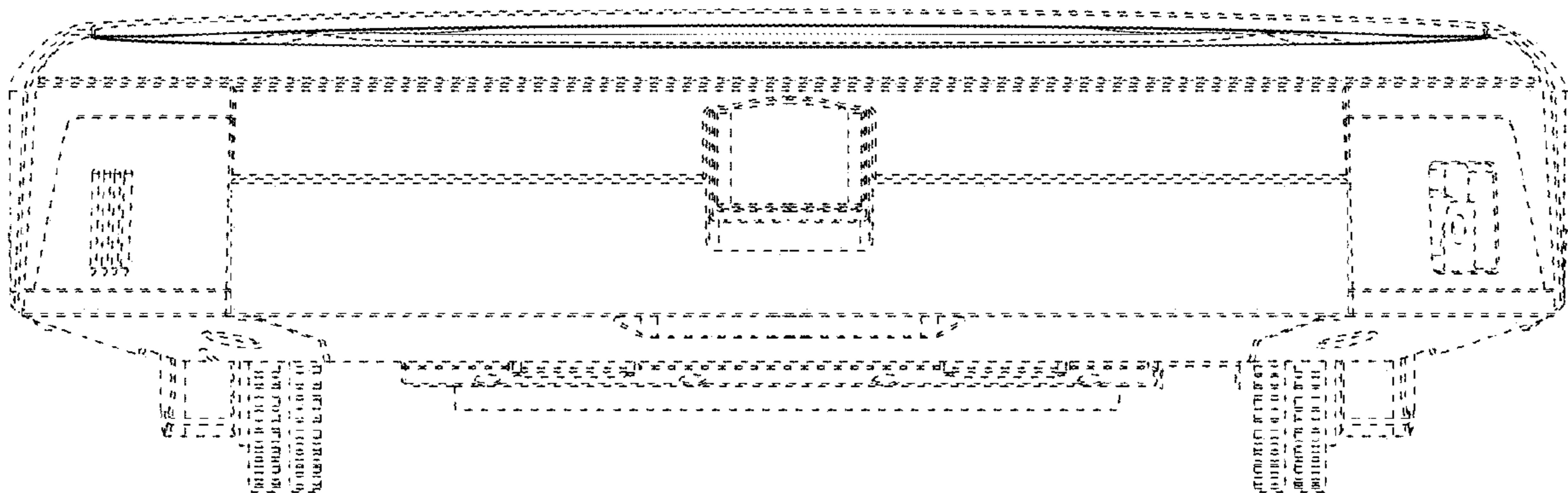


FIG. 6

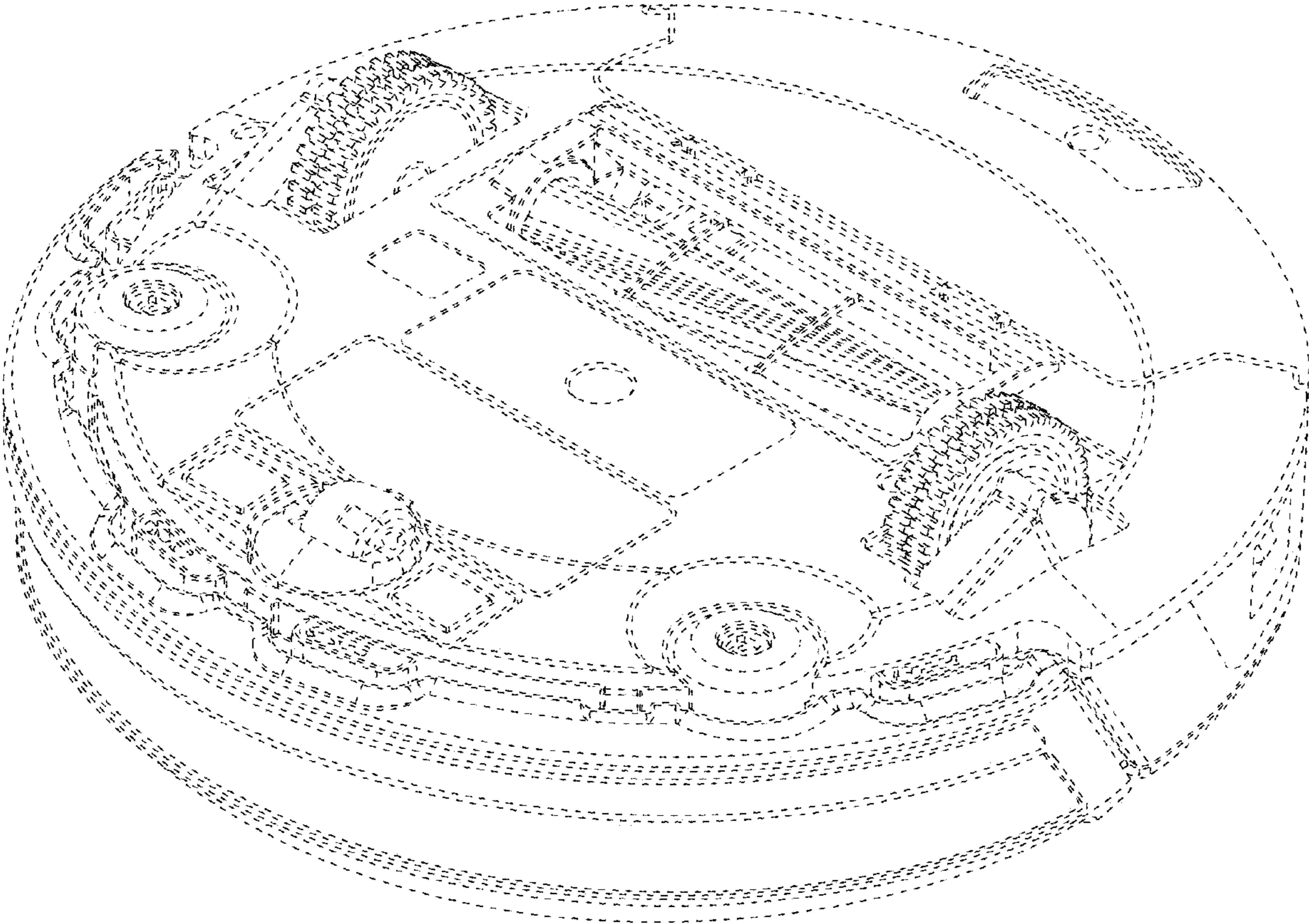


FIG. 7