

US00D869796S

(12) **United States Design Patent** (10) **Patent No.:** **US D869,796 S**
Afshar Bakooshli (45) **Date of Patent:** **** Dec. 10, 2019**

(54) **MOBILE ROBOTIC VACUUM**
(71) Applicant: **AI Incorporated**, Toronto (CA)
(72) Inventor: **Azadeh Afshar Bakooshli**, San Jose, CA (US)
(73) Assignee: **AI Incorporated**, Toronto (CA)
(**) Term: **15 Years**
(21) Appl. No.: **29/645,065**
(22) Filed: **Apr. 23, 2018**
(51) **LOC (12) Cl.** **15-05**
(52) **U.S. Cl.**
USPC **D32/21**
(58) **Field of Classification Search**
USPC D32/21, 31; D13/108-109; 15/319
CPC E04H 4/1654; A47L 2201/00; A47L 2201/02; A47L 2201/04; A47L 2201/06; A47L 9/0461; A47L 9/2805; B25J 9/1694
See application file for complete search history.

(56) **References Cited**
U.S. PATENT DOCUMENTS
D556,961 S * 12/2007 Swyst D32/21
D665,547 S * 8/2012 Nam D32/21

D669,235 S * 10/2012 Bassett D32/21
D670,877 S * 11/2012 Geringer D32/21
D690,478 S * 9/2013 Li D32/21
D703,397 S * 4/2014 Sungkyung D32/21
D714,002 S * 9/2014 Casini D32/21
D714,003 S * 9/2014 Casini D32/21
D715,504 S * 10/2014 Deoksang D32/21
D771,884 S * 11/2016 Ninomiya D32/21
D835,869 S * 12/2018 Li D32/21
D840,617 S * 2/2019 Dou D32/21

* cited by examiner
Primary Examiner — Ruth McInroy

(57) **CLAIM**
The ornamental design for a mobile robotic vacuum, as shown and described.

DESCRIPTION
FIG. 1 is top plan view of a mobile robotic vacuum;
FIG. 2 is a front elevation view thereof;
FIG. 3 is a rear elevation view thereof;
FIG. 4 is a left side elevation view thereof, the right side being a mirror image; and,
FIG. 5 is an top perspective view thereof.

1 Claim, 5 Drawing Sheets

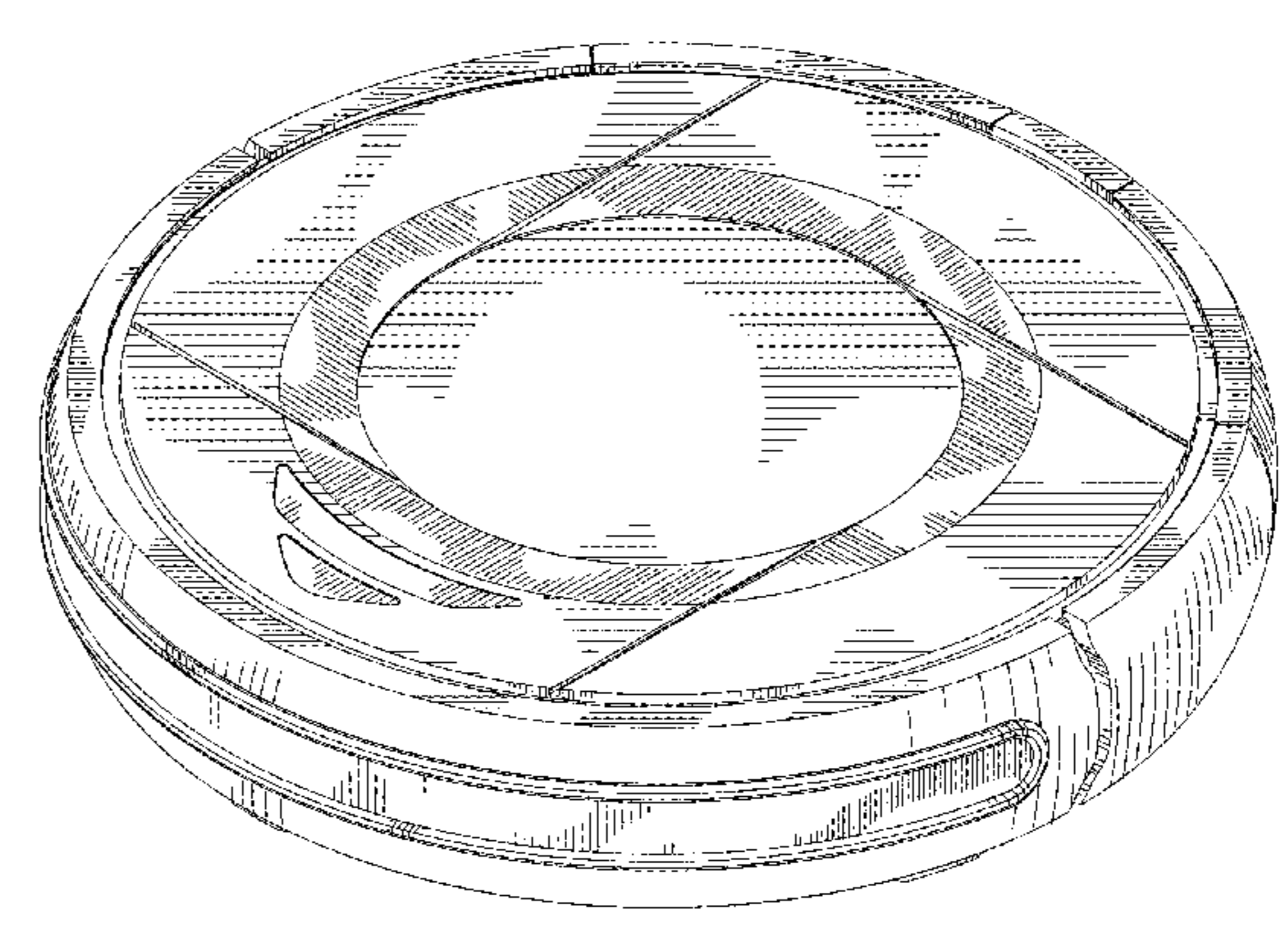
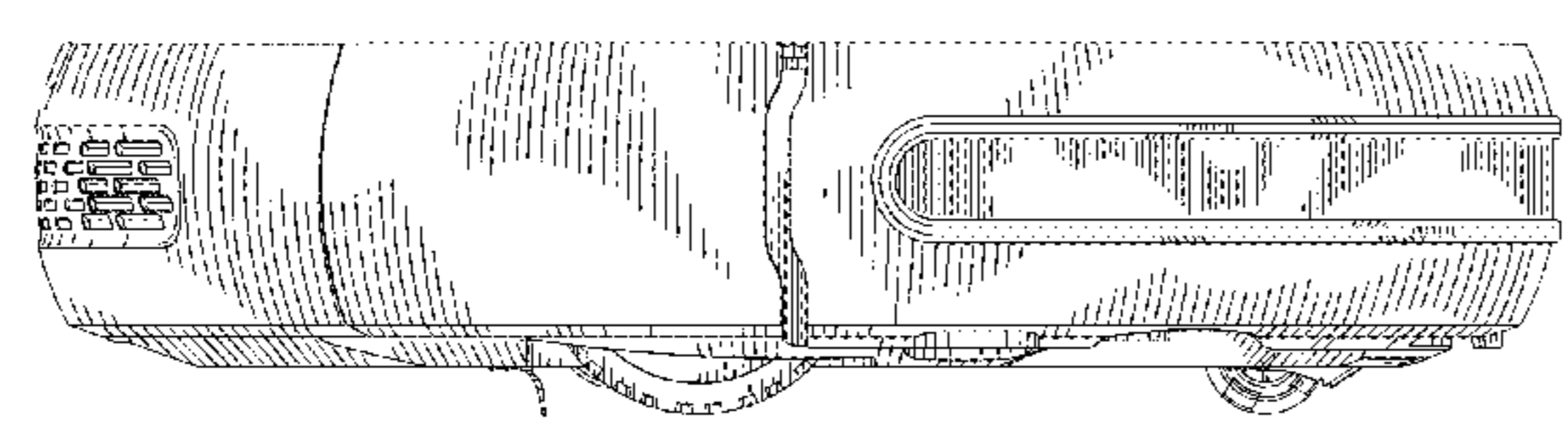


FIG. 1

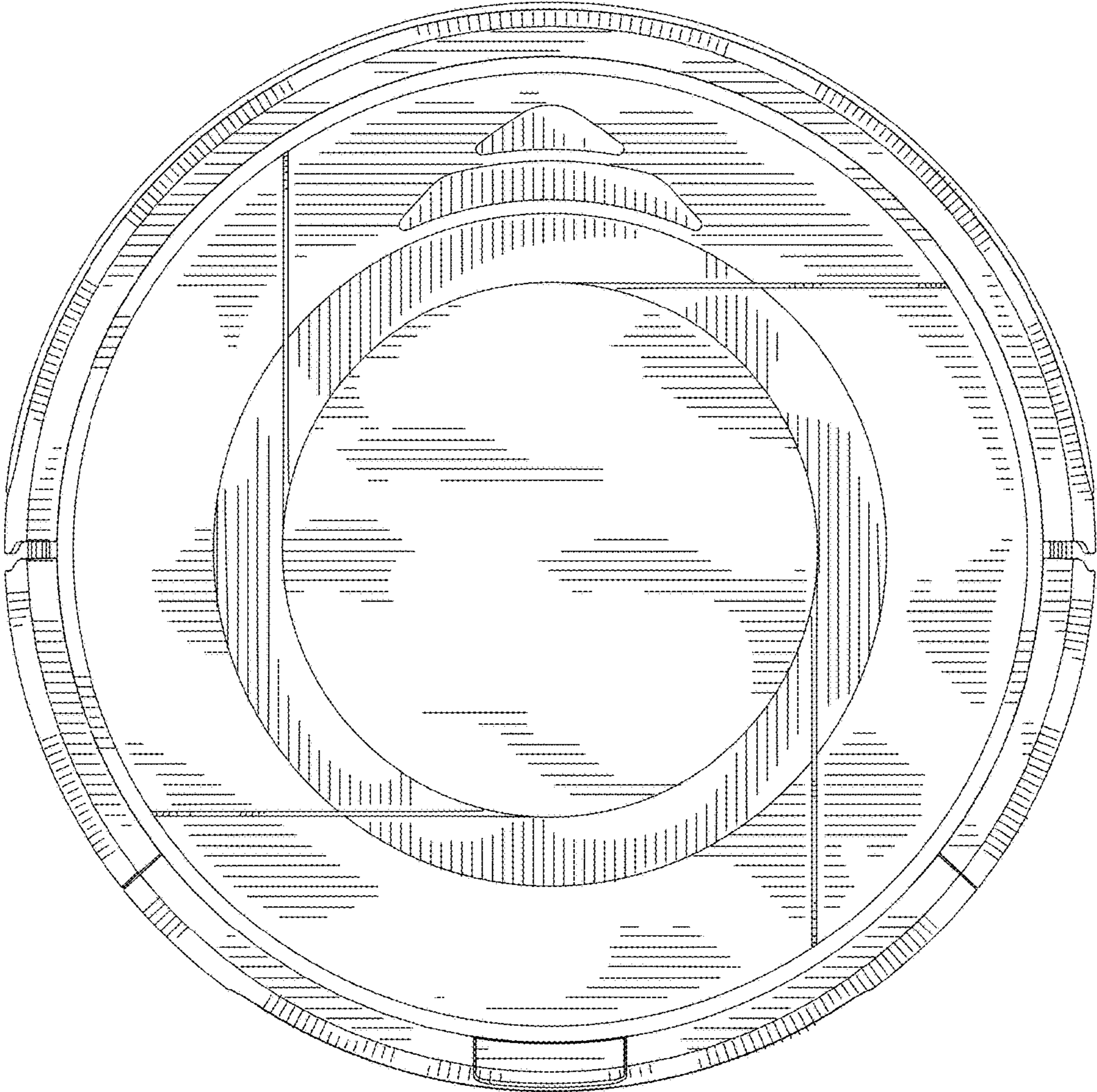


FIG. 2

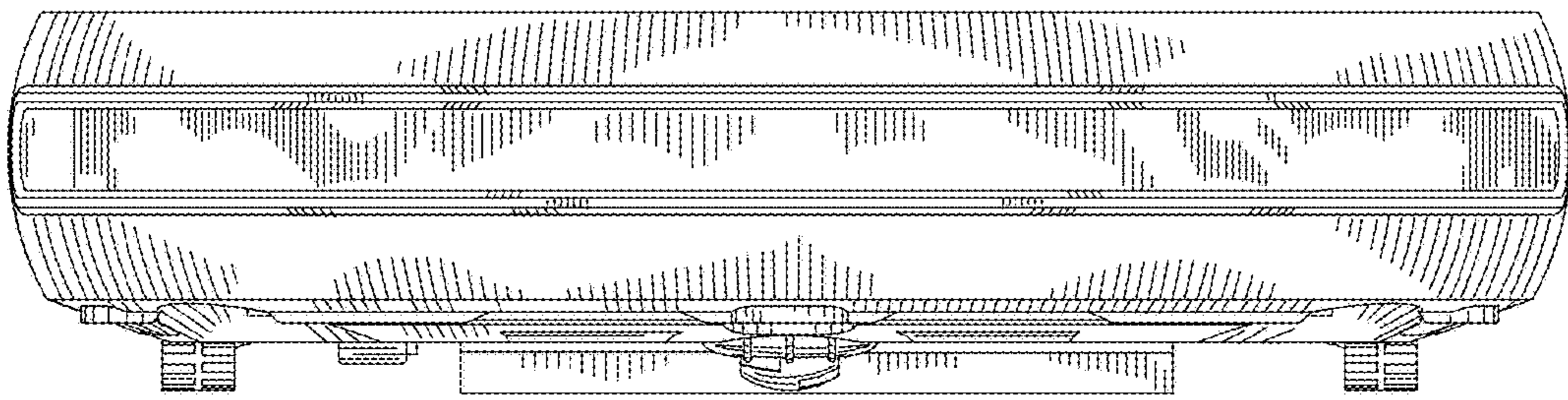


FIG. 3

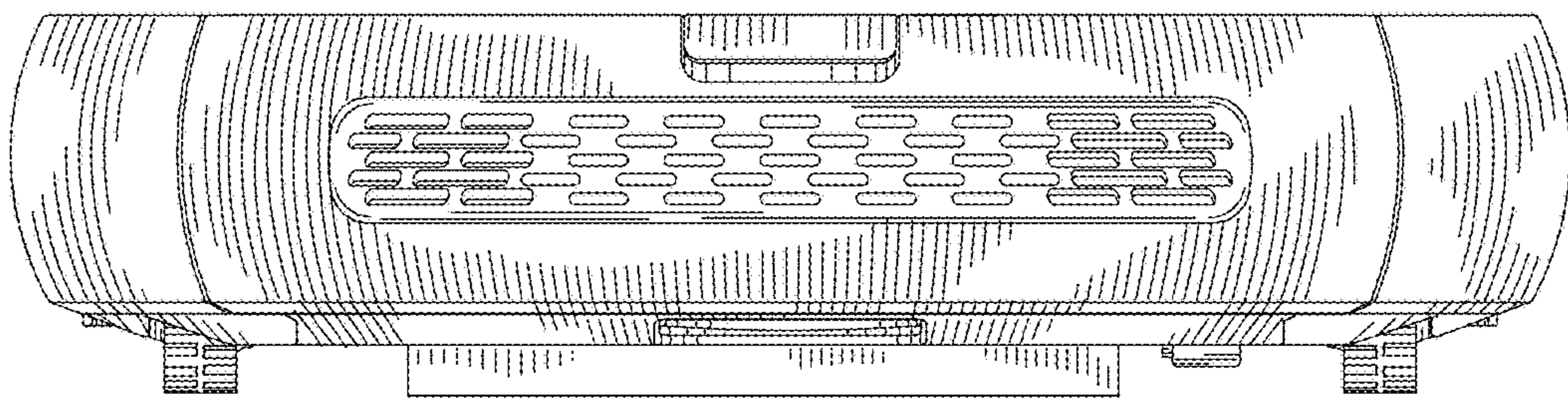


FIG. 4

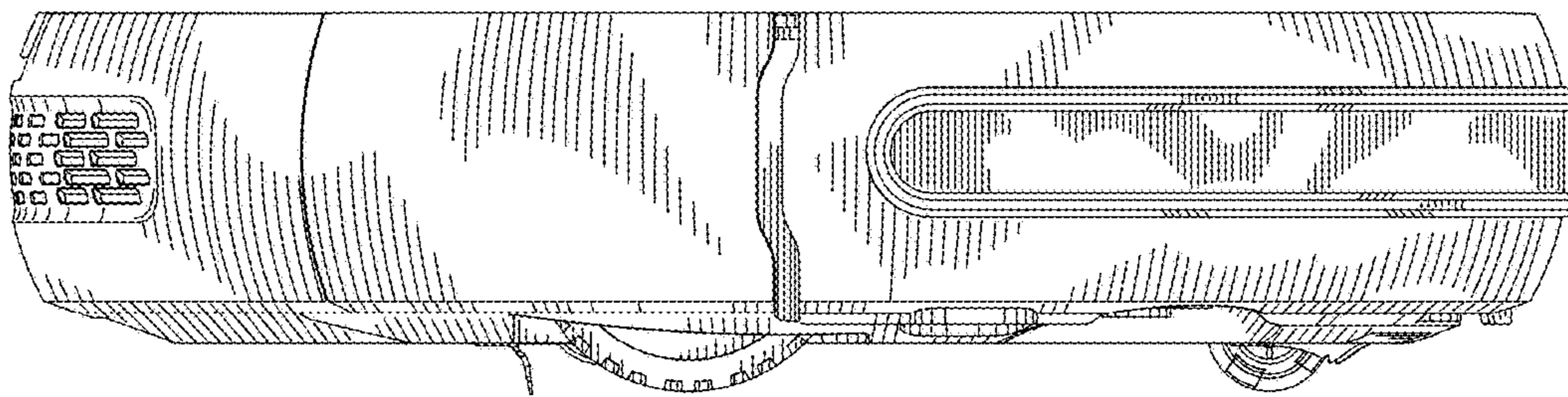


FIG. 5

