

US00D869795S

(12) **United States Design Patent**
Wang

(10) **Patent No.:** **US D869,795 S**

(45) **Date of Patent:** **** Dec. 10, 2019**

(54) **VACUUM CLEANER**

(71) Applicant: **Yongdong Wang**, Shangrao (CN)

(72) Inventor: **Yongdong Wang**, Shangrao (CN)

(73) Assignee: **SHENZHEN HAOHONGYUAN TECHNOLOGY CO., LTD.**, Shenzhen (CN)

(**) Term: **15 Years**

(21) Appl. No.: **29/631,536**

(22) Filed: **Dec. 29, 2017**

(51) **LOC (12) Cl.** **15-05**

(52) **U.S. Cl.**
USPC **D32/18**

(58) **Field of Classification Search**
USPC D32/17, 18, 22, 31
CPC ... A47L 5/24; A47L 5/362; A47L 5/36; A47L 5/28; A47L 9/102; A47L 9/1683; B01D 50/002

See application file for complete search history.

(56) **References Cited**

U.S. PATENT DOCUMENTS

D302,876 S * 8/1989 Ikeda D32/18
D401,021 S * 11/1998 Stephens D32/18

D569,059 S * 5/2008 Stratford D32/18
D569,060 S * 5/2008 Stratford D32/18
D579,161 S * 10/2008 Crawley D32/18
D608,511 S * 1/2010 Okuda D32/18
D660,527 S * 5/2012 Kawase D32/18
D844,266 S * 3/2019 Wang D32/18

* cited by examiner

Primary Examiner — Ruth McInroy

(74) *Attorney, Agent, or Firm* — Law Offices of Steven W. Weinrieb

(57) **CLAIM**

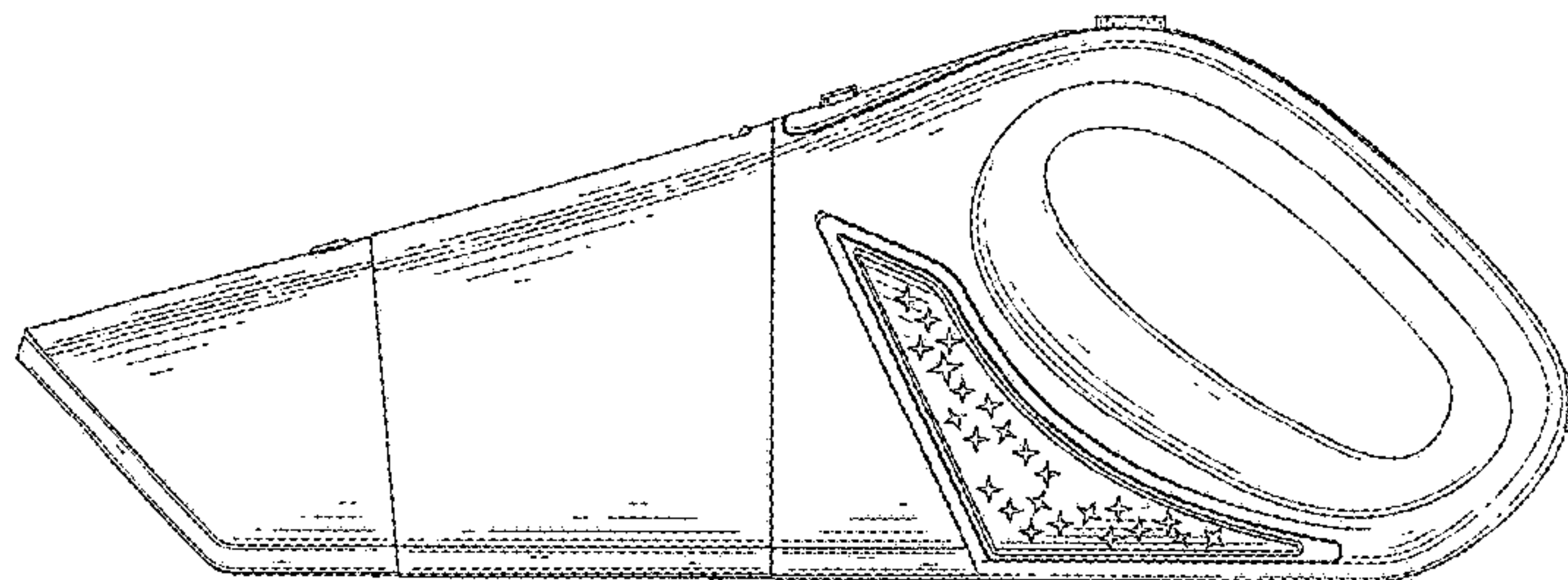
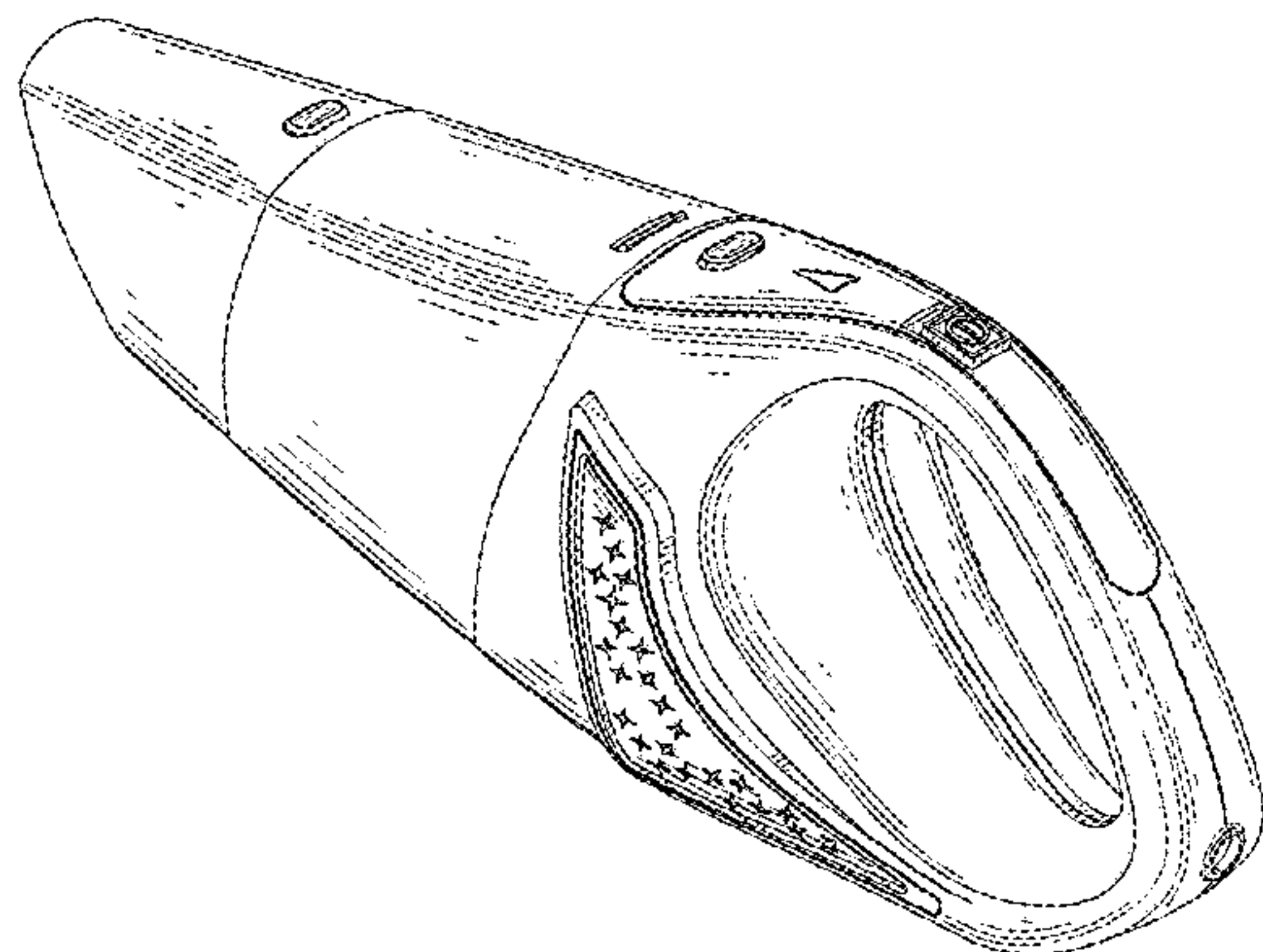
The ornamental design for a vacuum cleaner, as shown and described.

DESCRIPTION

FIG. 1 is a left side, rear, top perspective view of the vacuum cleaner showing my new design;
FIG. 2 is a right side, front bottom perspective view thereof;
FIG. 3 is a left side elevational view thereof;
FIG. 4 is a right side elevational view thereof;
FIG. 5 is a front elevational view thereof;
FIG. 6 is a rear elevational view thereof.
FIG. 7 is a top plan view thereof; and,
FIG. 8 is a bottom plan view thereof.

The details shown in broken lines form no part of the claimed design.

1 Claim, 8 Drawing Sheets



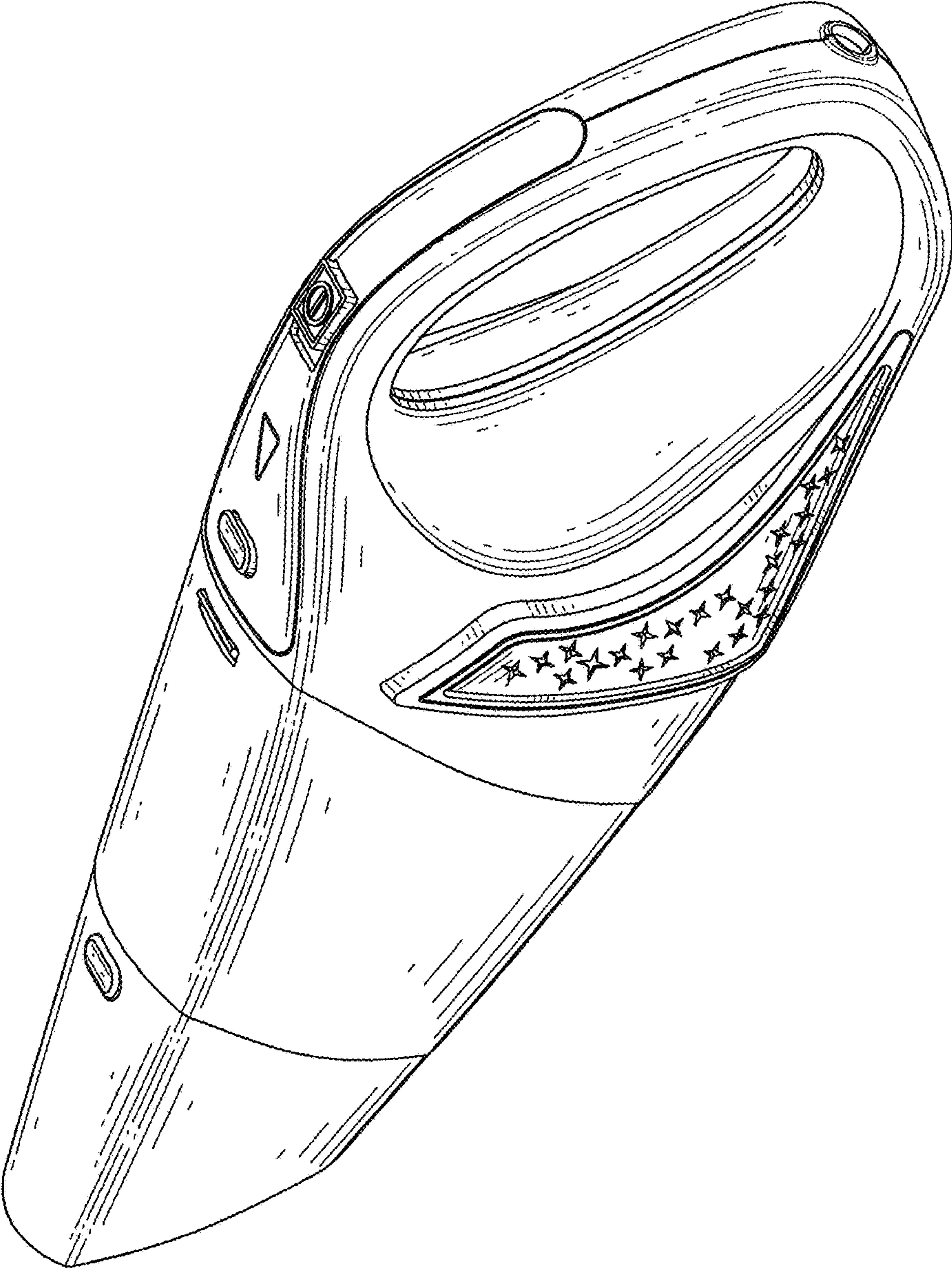


FIG. 1

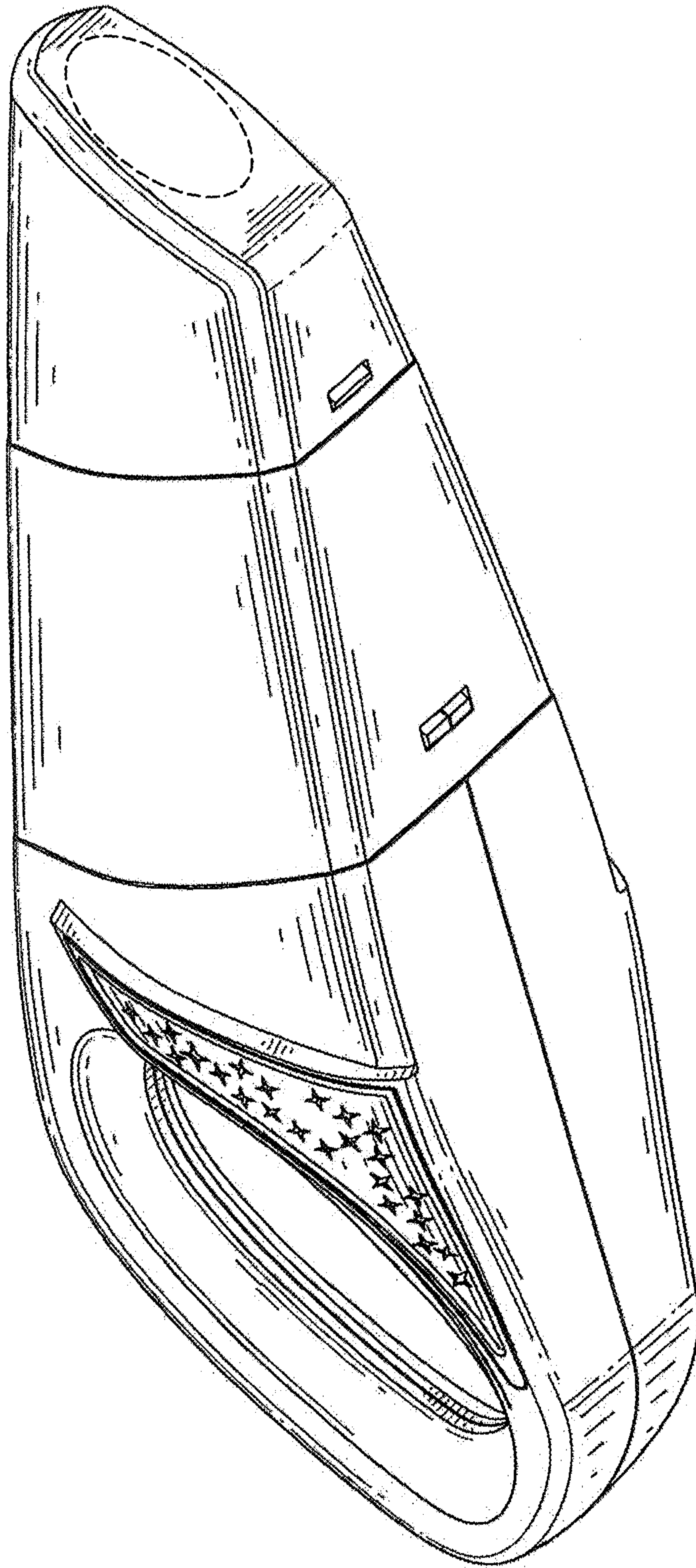


FIG. 2

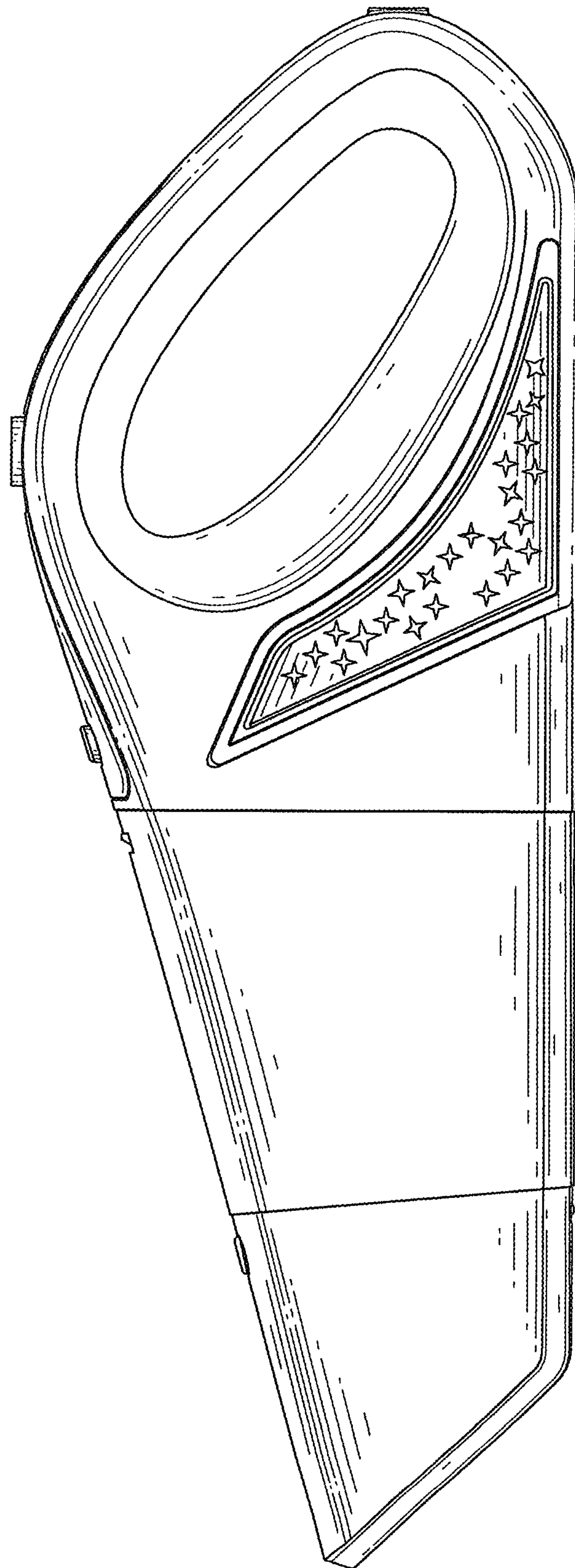


FIG. 3

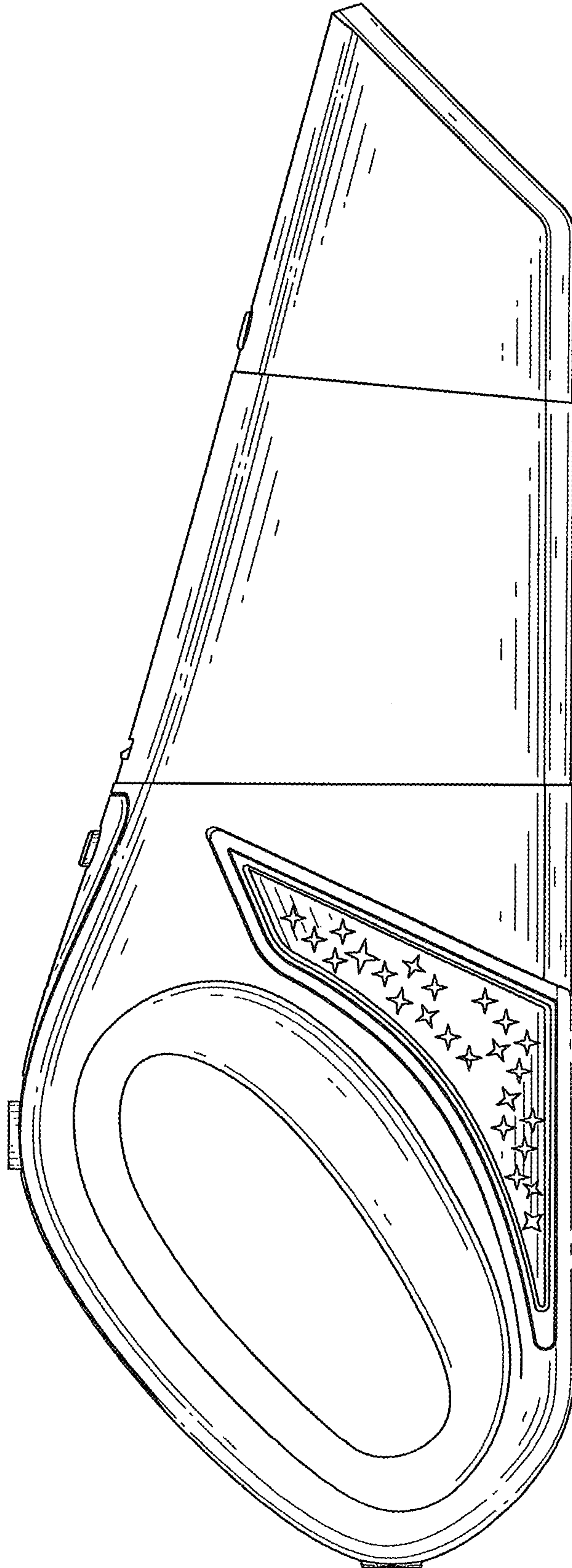


FIG. 4

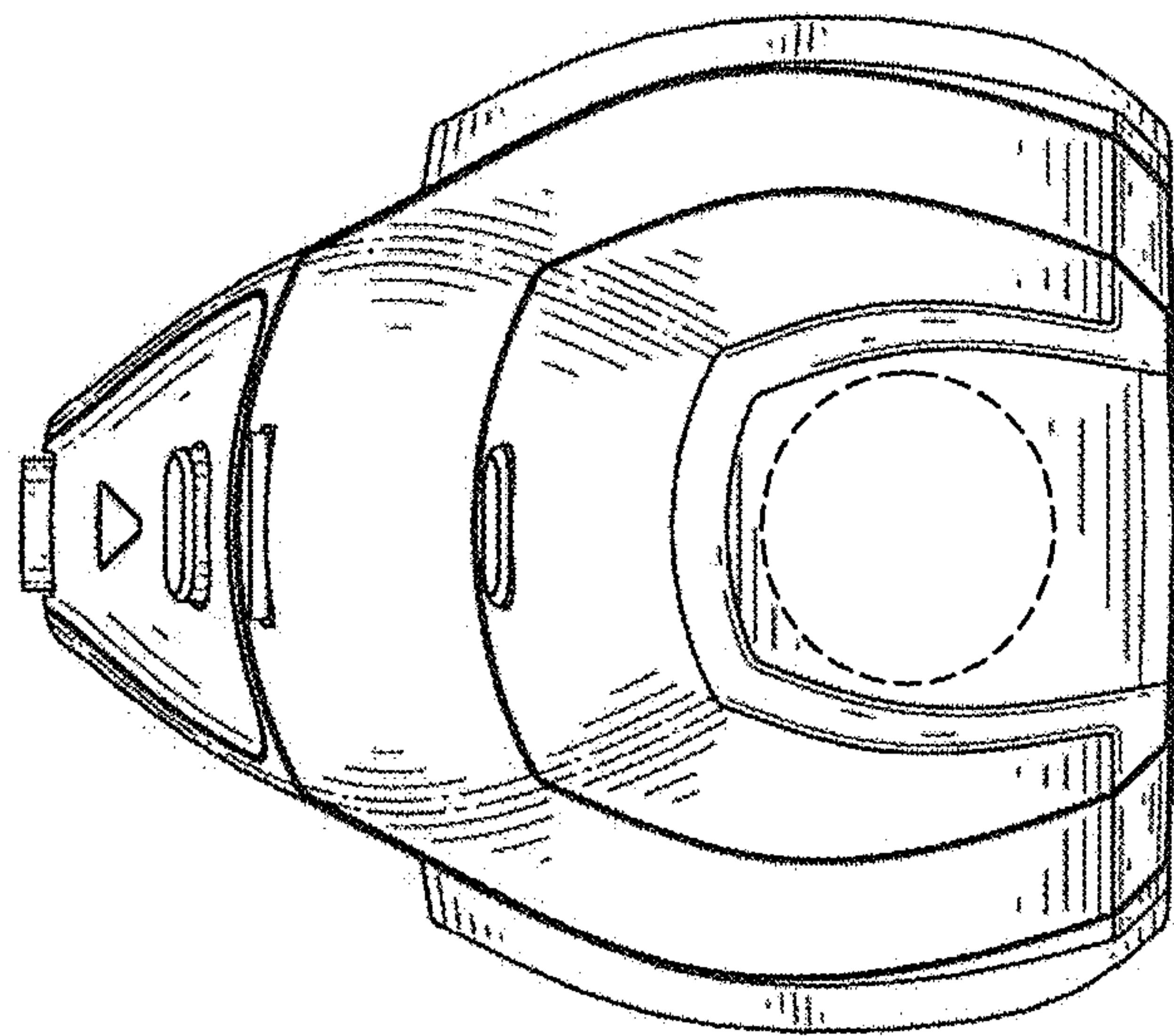


FIG. 5

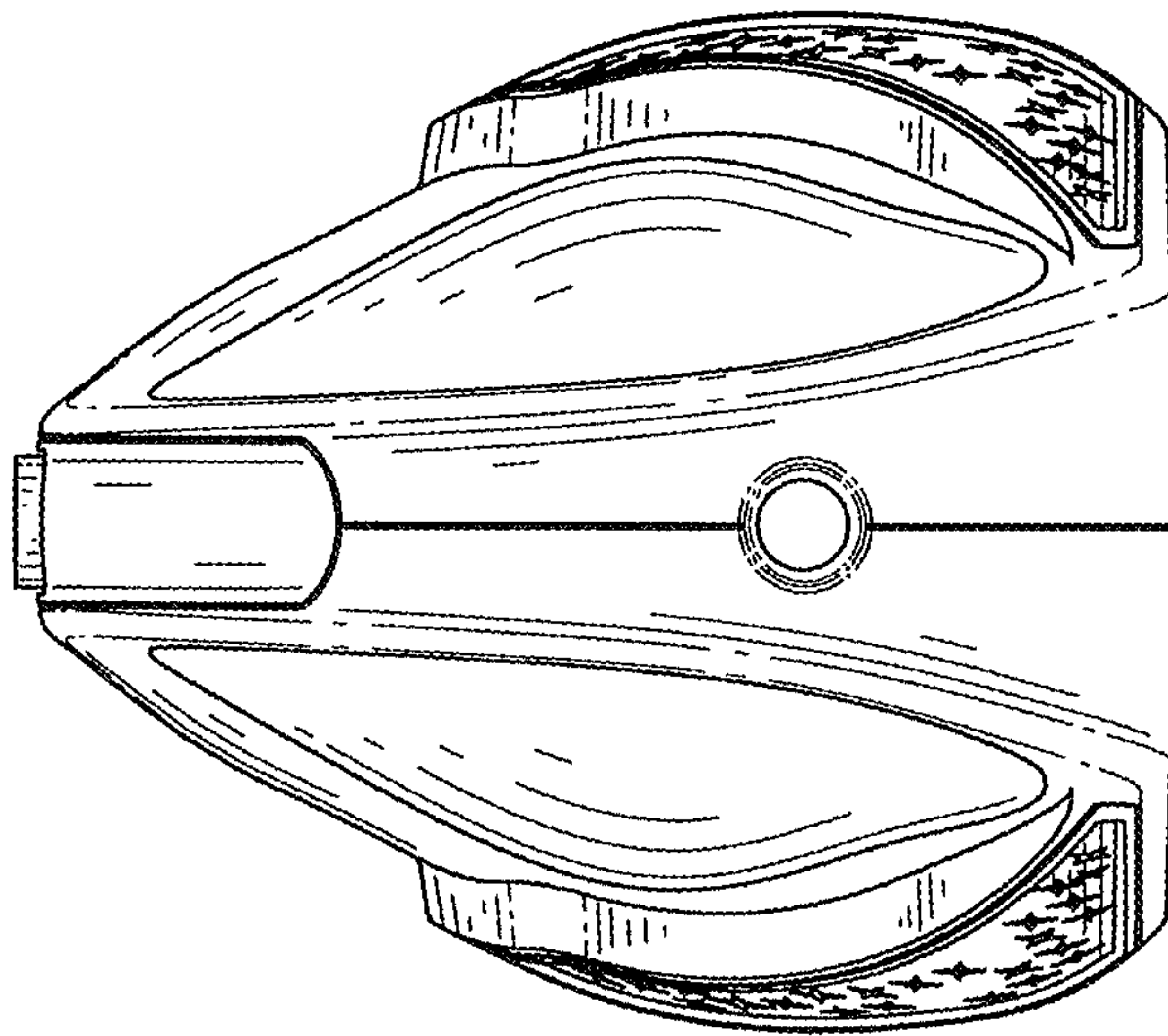


FIG. 6

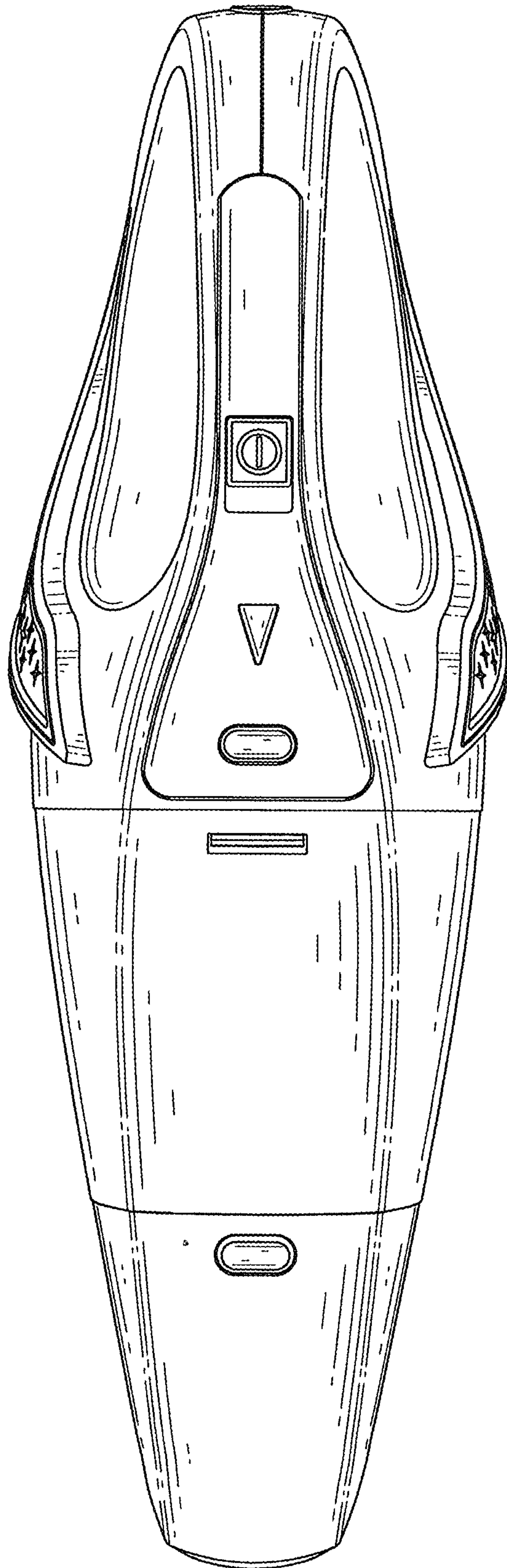


FIG. 7

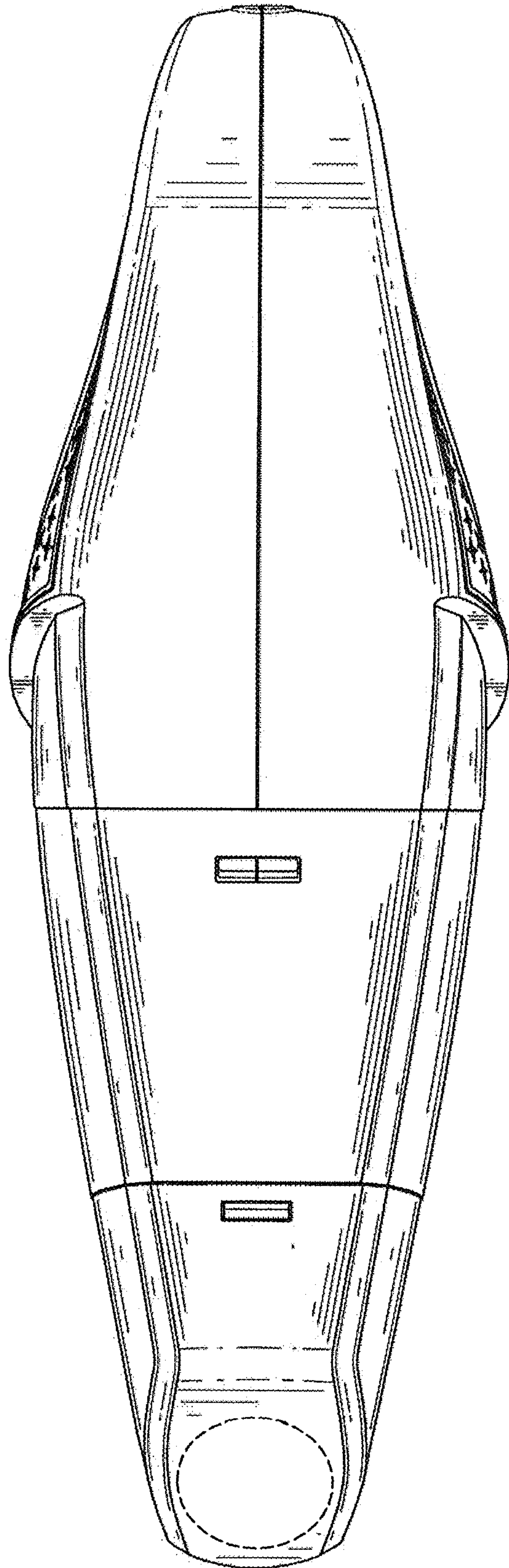


FIG. 8