



US00D869794S

(12) **United States Design Patent**  
**Zhou**

(10) **Patent No.:** **US D869,794 S**

(45) **Date of Patent:** **\*\* Dec. 10, 2019**

(54) **VACUUM CLEANER**

(71) Applicant: **Xiaojiang Zhou**, Shenzhen (CN)

(72) Inventor: **Xiaojiang Zhou**, Shenzhen (CN)

(73) Assignee: **SHENZHEN HAOHONGYUAN TECHNOLOGY CO., LTD.**, Shenzhen (CN)

(\*\*) Term: **15 Years**

(21) Appl. No.: **29/624,035**

(22) Filed: **Oct. 30, 2017**

(51) **LOC (12) Cl.** ..... **15-05**

(52) **U.S. Cl.**  
USPC ..... **D32/18**

(58) **Field of Classification Search**  
USPC ..... D32/17, 18, 22, 31  
CPC ... A47L 5/24; A47L 5/362; A47L 5/36; A47L 5/28; A47L 9/102; A47L 9/1683; B01D 50/002

See application file for complete search history.

(56) **References Cited**

**U.S. PATENT DOCUMENTS**

D302,876 S \* 8/1989 Ikeda ..... D32/18  
D401,021 S \* 11/1998 Stephens ..... D32/18

D569,059 S \* 5/2008 Stratford ..... D32/18  
D569,060 S \* 5/2008 Stratford ..... D32/18  
D579,161 S \* 10/2008 Crawley ..... D32/18  
D608,511 S \* 1/2010 Okuda ..... D32/18  
D660,527 S \* 5/2012 Kawase ..... D32/18  
D844,266 S \* 3/2019 Wang ..... D32/18

\* cited by examiner

*Primary Examiner* — Ruth McInroy

(74) *Attorney, Agent, or Firm* — Law Offices of Steven W. Weinrieb

(57) **CLAIM**

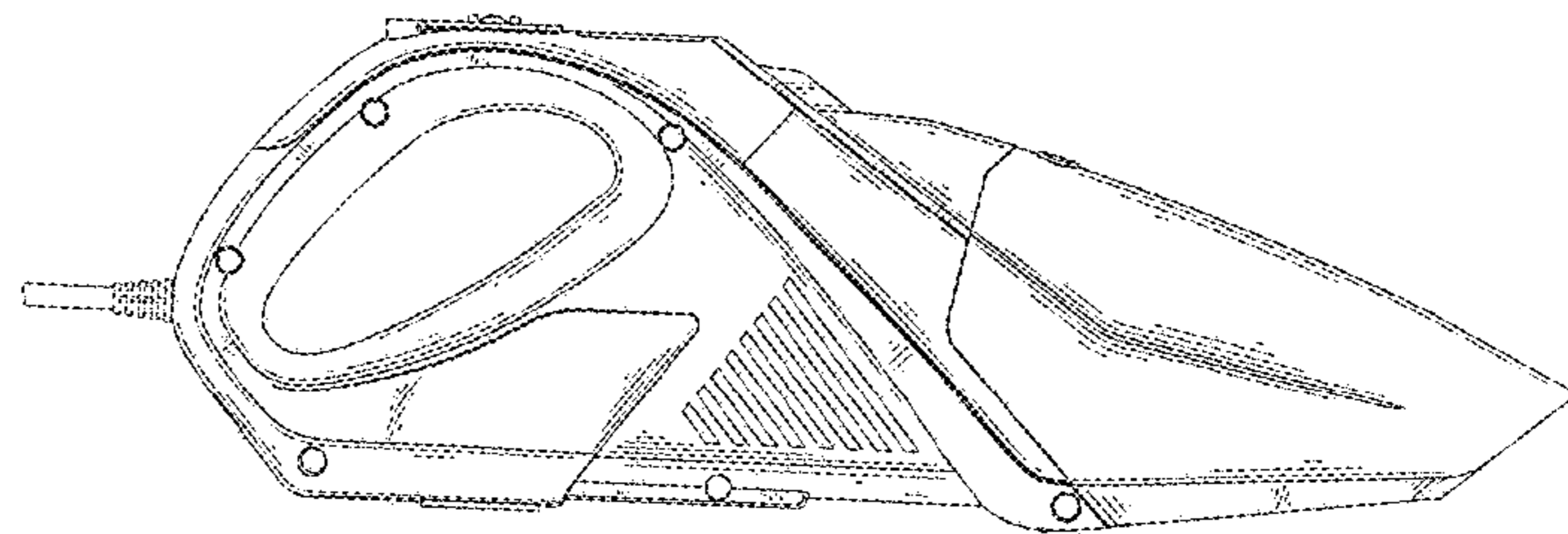
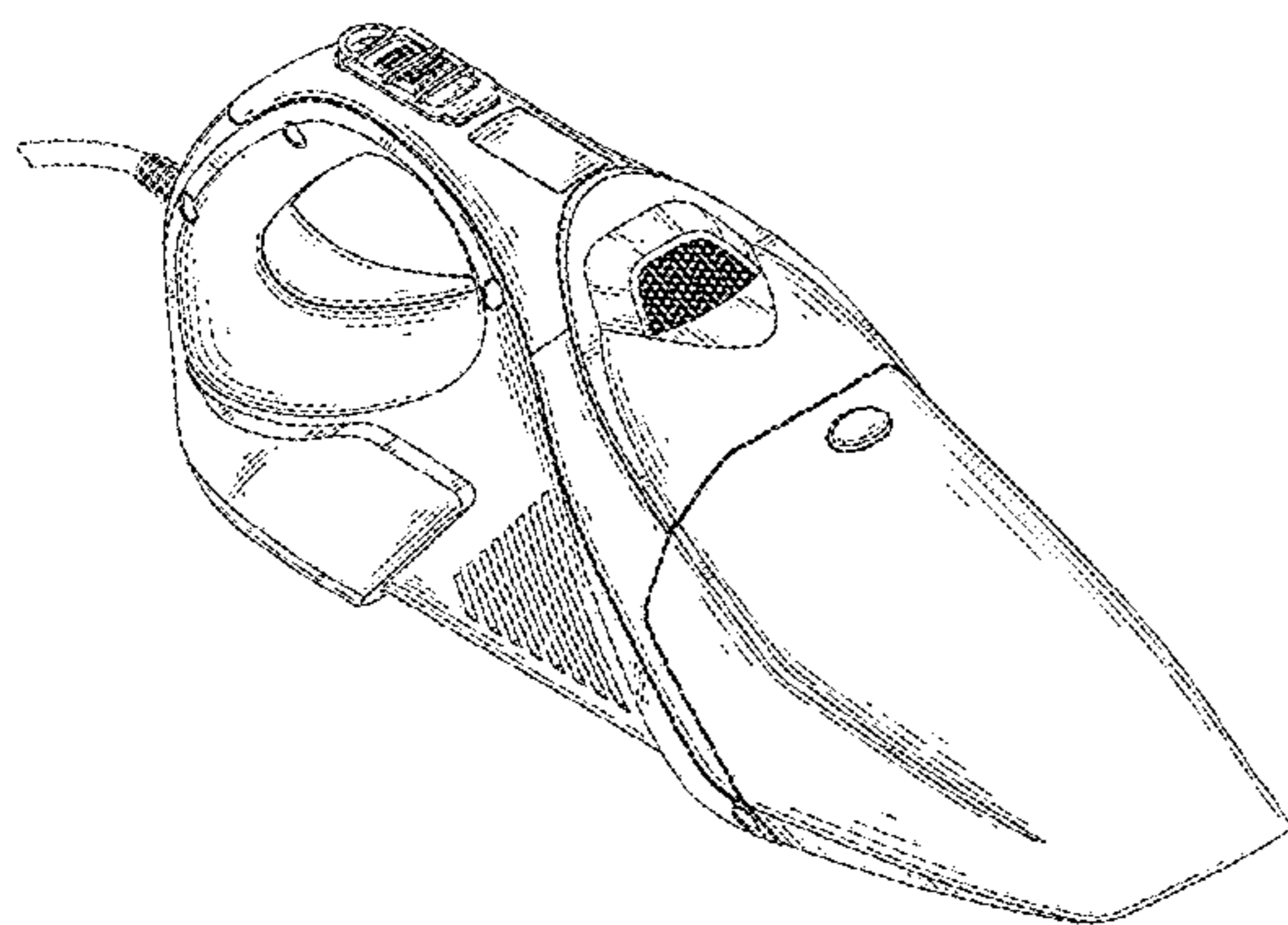
The ornamental design for a vacuum cleaner, as shown and described.

**DESCRIPTION**

FIG. 1 is a right side top perspective view of the vacuum cleaner showing my new design;  
FIG. 2 is a left side bottom perspective view thereof;  
FIG. 3 is a front elevational view thereof;  
FIG. 4 is a rear elevational view thereof;  
FIG. 5 is a right side elevational view thereof;  
FIG. 6 is a left side elevational view thereof;  
FIG. 7 is a top plan view thereof; and,  
FIG. 8 is a bottom plan view thereof.

The details shown in broken lines form no part of the claimed design.

**1 Claim, 8 Drawing Sheets**



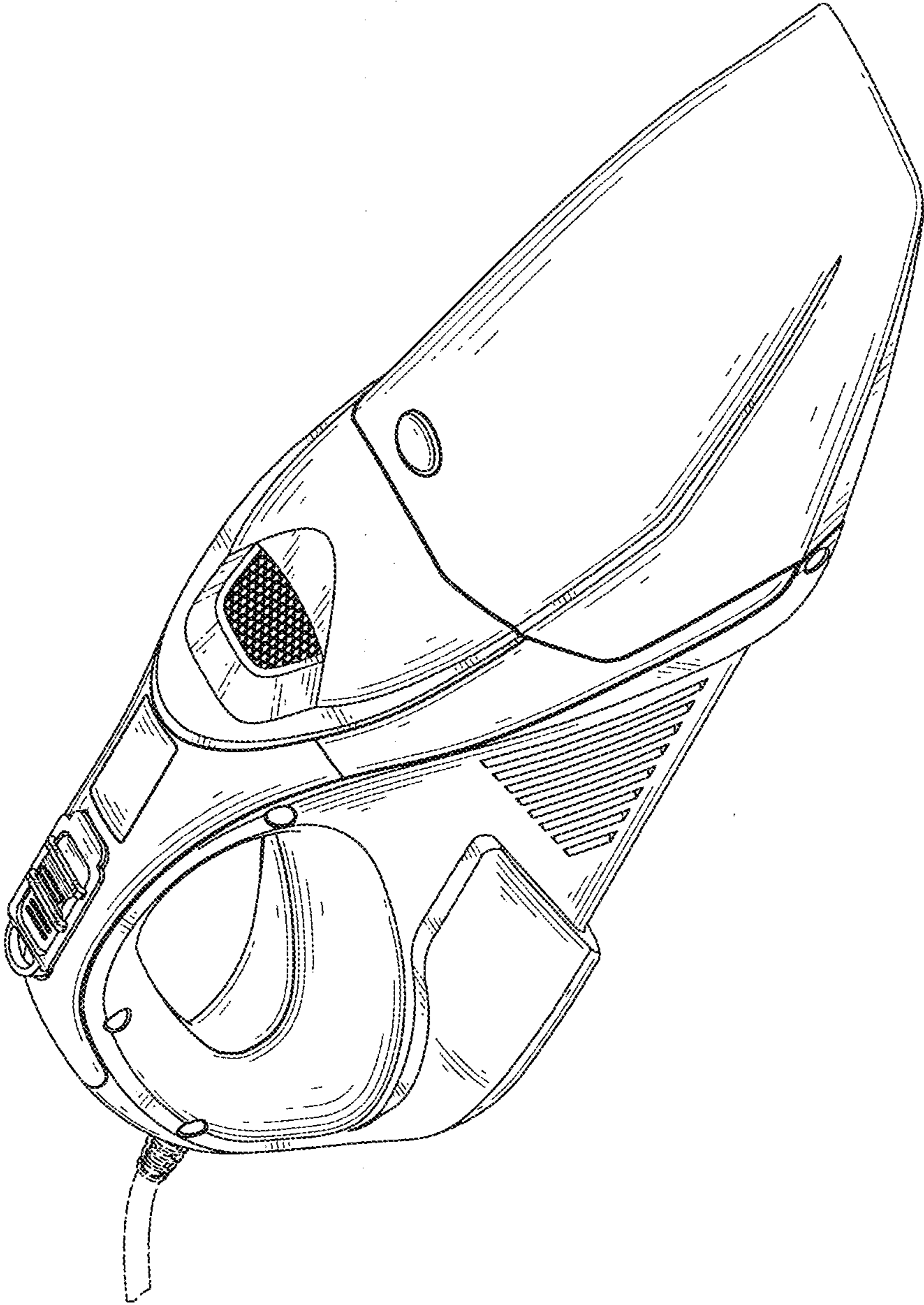


FIG. 1

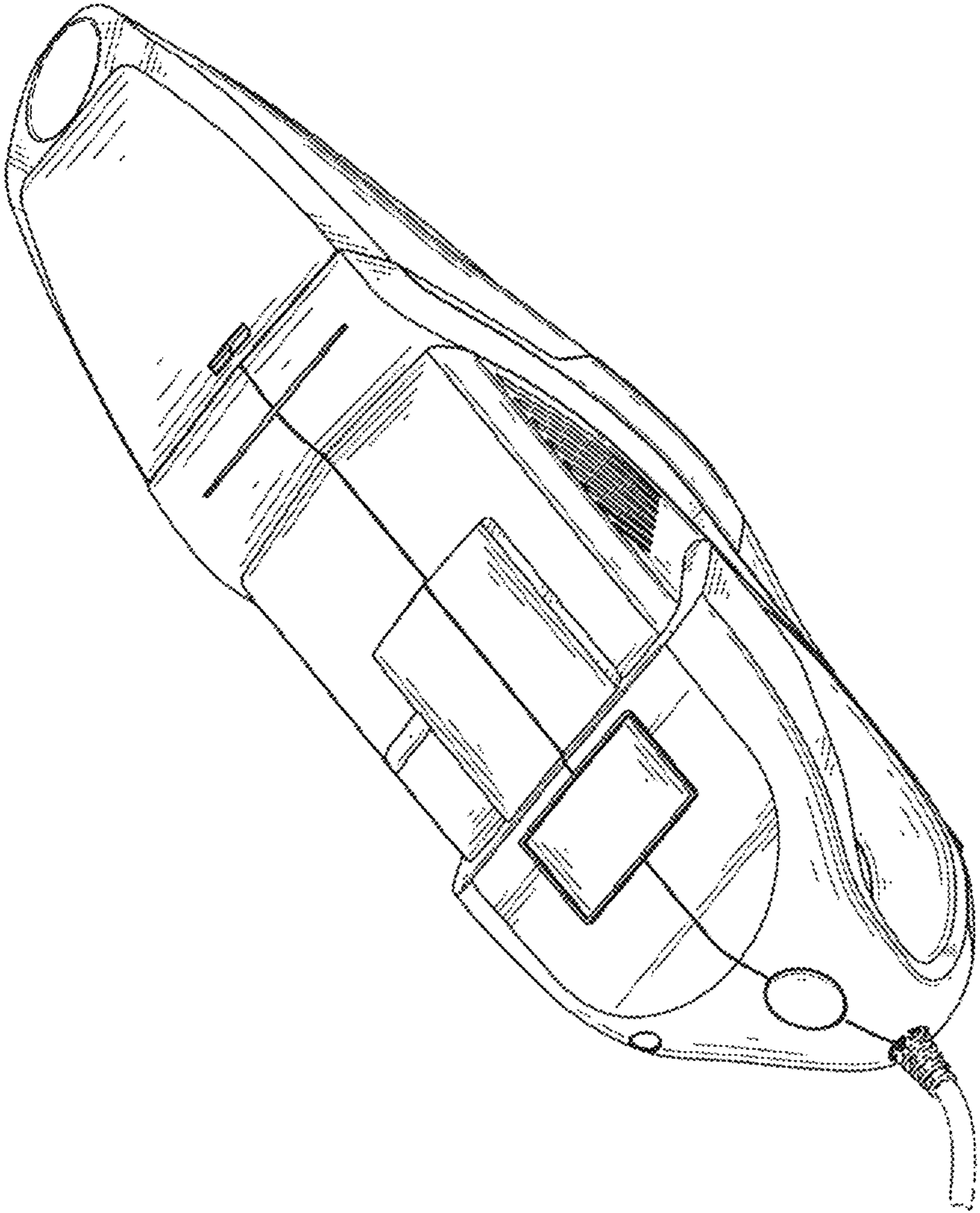


FIG. 2

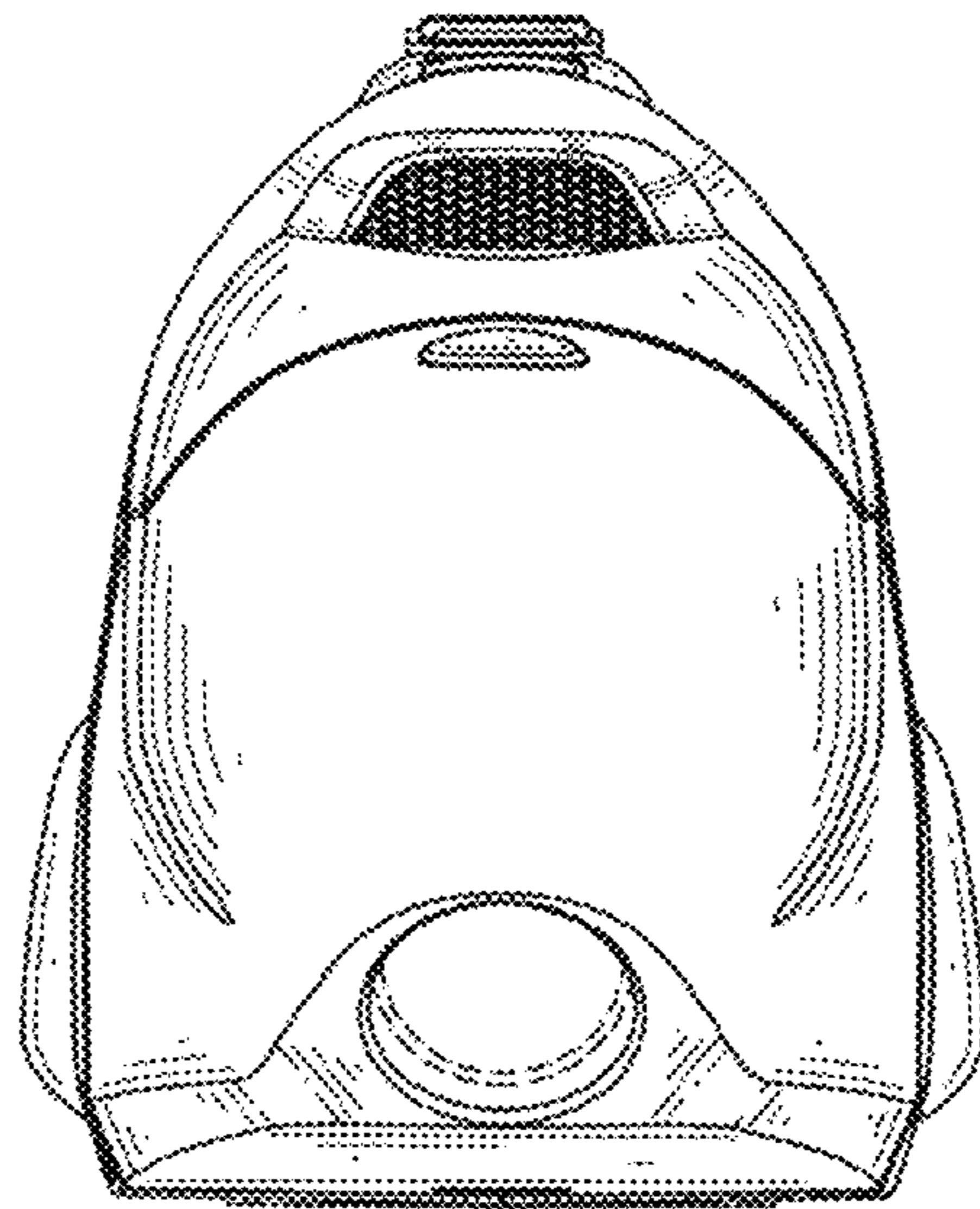


FIG. 3



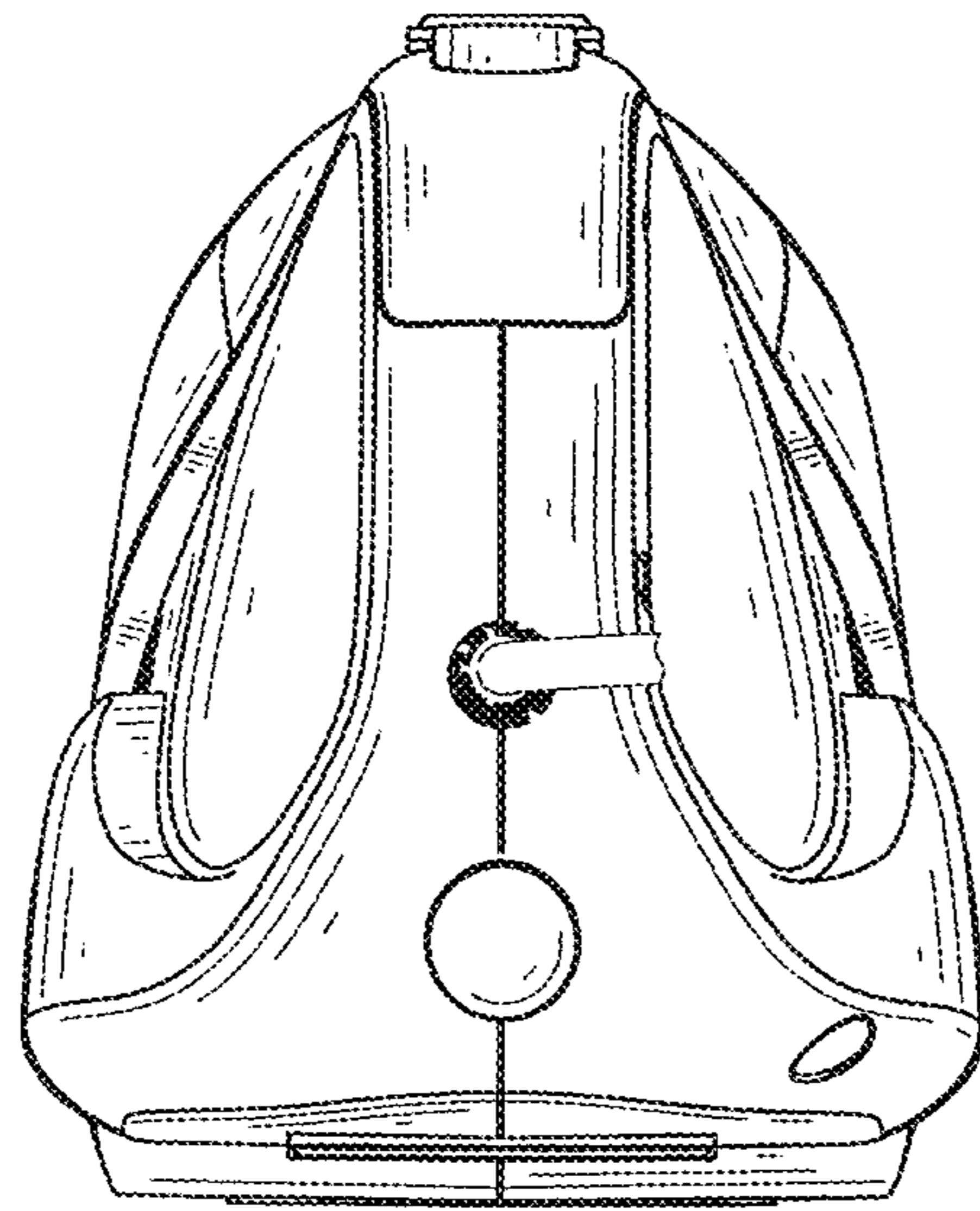


FIG. 4

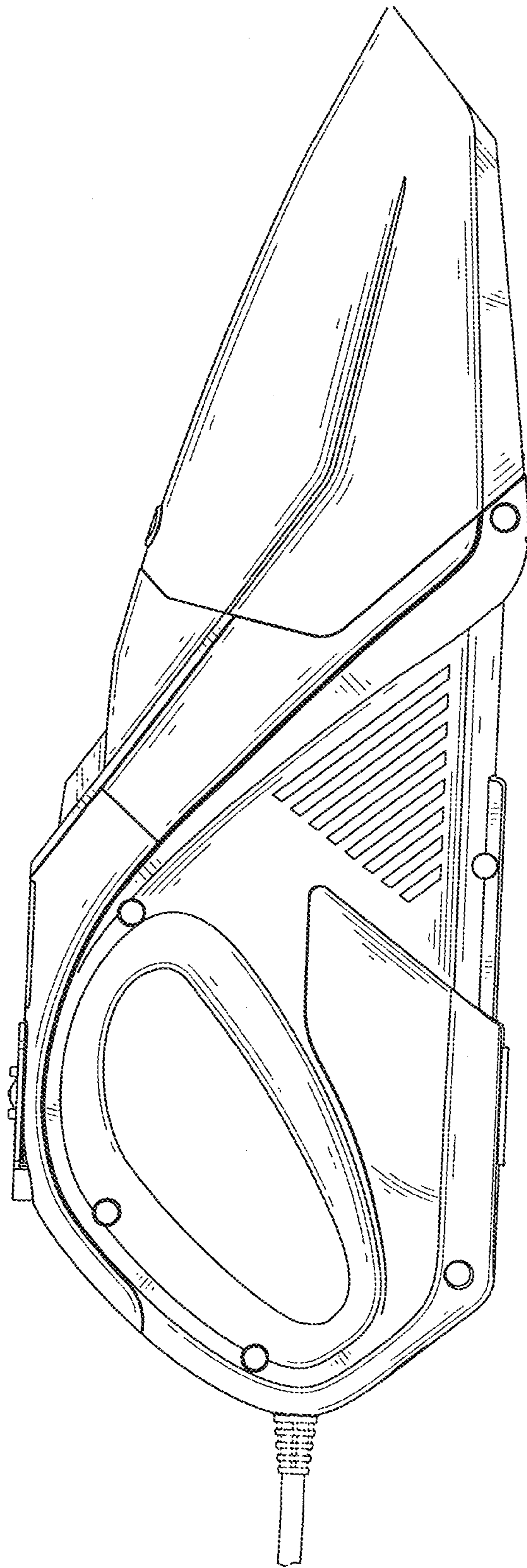


FIG. 5

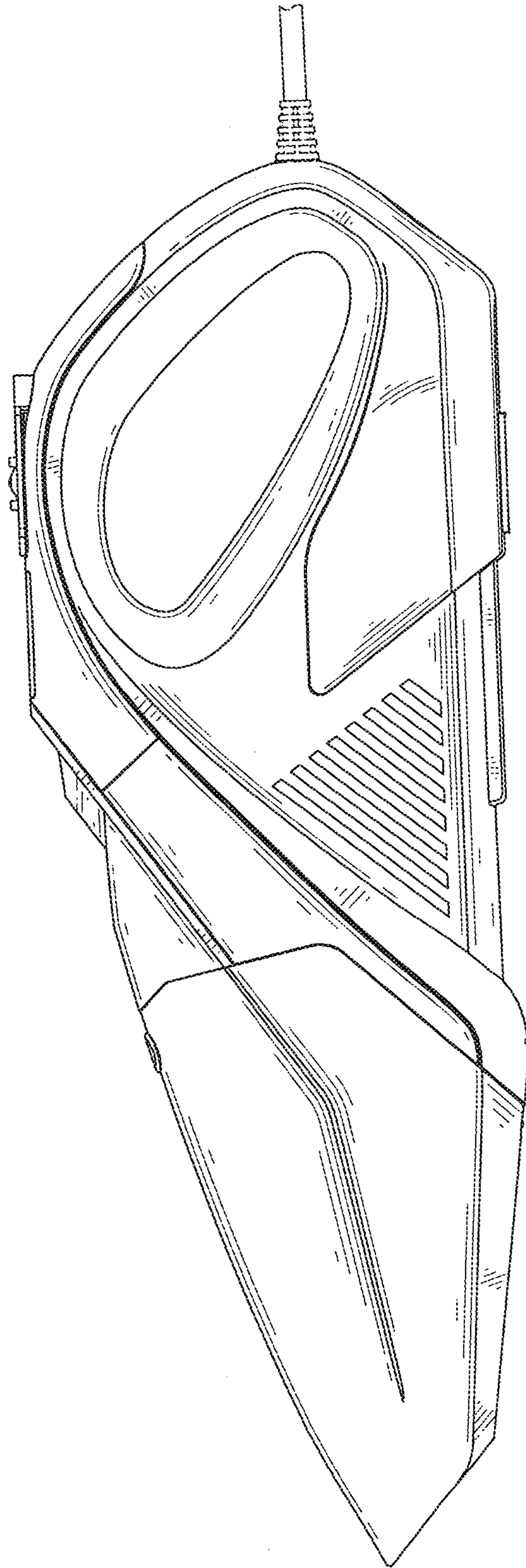


FIG. 6

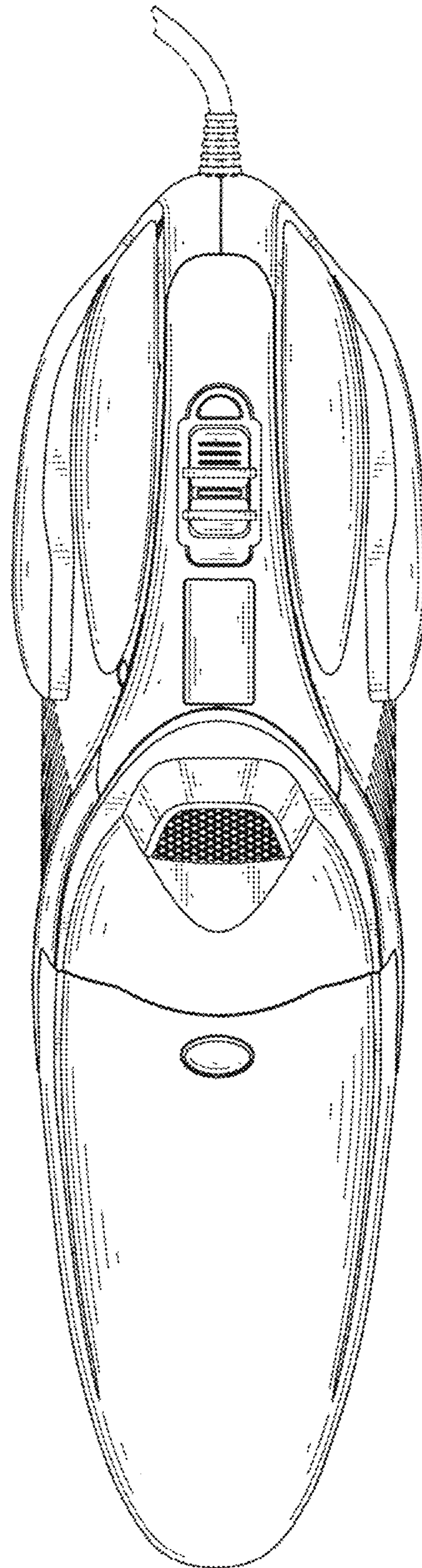


FIG. 7



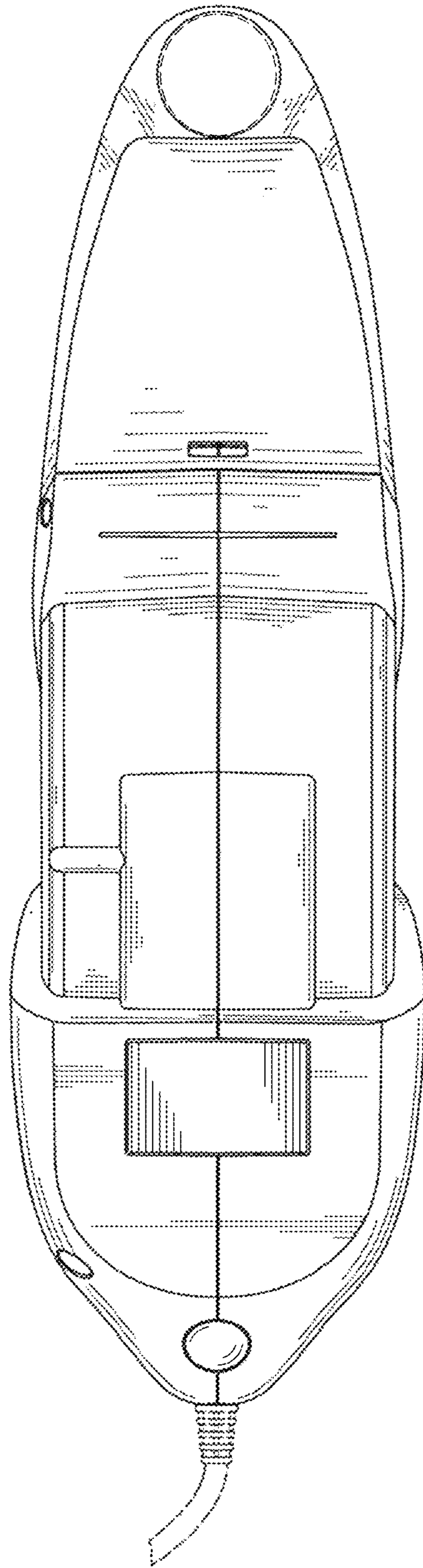


FIG. 8