



US00D869791S

(12) **United States Design Patent** (10) **Patent No.:** **US D869,791 S**  
**Ko et al.** (45) **Date of Patent:** **\*\* Dec. 10, 2019**

(54) **WASHING MACHINE** D360,500 S \* 7/1995 Millet ..... D32/5  
6,618,887 B2 \* 9/2003 Kim ..... D06F 23/04  
68/23.1  
(71) Applicant: **Samsung Electronics Co., Ltd.,** D492,073 S \* 6/2004 Sneddon ..... D32/6  
Suwon-si (KR) D527,150 S \* 8/2006 Jun ..... D32/6  
D527,853 S \* 9/2006 Carey ..... D32/6  
(72) Inventors: **Gihoon Ko, Seoul (KR); Yeonyoung** D532,941 S \* 11/2006 Carey ..... D32/6  
**Nam, Goyang-si (KR); Simon Edward** D538,488 S \* 3/2007 Carey ..... D32/6  
**Ireland, Seongnam-si (KR); Jihyeoung** D542,487 S \* 5/2007 Jun ..... D32/6  
**Lee, Seoul (KR)** D556,394 S \* 11/2007 Kim ..... D32/6  
(Continued)

(73) Assignee: **Samsung Electronics Co., Ltd.,**  
Suwon-si (KR)

(\*\*) Term: **15 Years**

(21) Appl. No.: **29/609,612**

(22) Filed: **Jul. 3, 2017**

(30) **Foreign Application Priority Data**

Jan. 4, 2017 (KR) ..... 30-2017-0000501

(51) **LOC (12) Cl.** ..... **15-05**

(52) **U.S. Cl.**  
USPC ..... **D32/6**

(58) **Field of Classification Search**  
USPC ..... D32/1, 5, 6, 8, 12, 25, 28, 29  
CPC .... D06F 33/02; D06F 39/02; D06F 2204/065;  
D06F 25/00; D06F 35/006; D06F 58/00;  
D06F 58/02; D06F 58/04; D06F 58/20;  
D06F 19/042; D06F 23/04; D06F 39/12;  
D06F 39/022

See application file for complete search history.

(56) **References Cited**

**U.S. PATENT DOCUMENTS**

4,307,588 A \* 12/1981 Smith ..... D06F 39/12  
312/257.1  
4,429,817 A \* 2/1984 Ikeda ..... D06F 39/022  
222/252  
D359,602 S \* 6/1995 Swartz ..... D32/6

**FOREIGN PATENT DOCUMENTS**

CN 201530023112 6/2015  
CN 201530121139 12/2015

(Continued)

*Primary Examiner* — Michelle E. Wilson

(74) *Attorney, Agent, or Firm* — NSIP Law

(57) **CLAIM**

We claim the ornamental design for a washing machine, as shown and described.

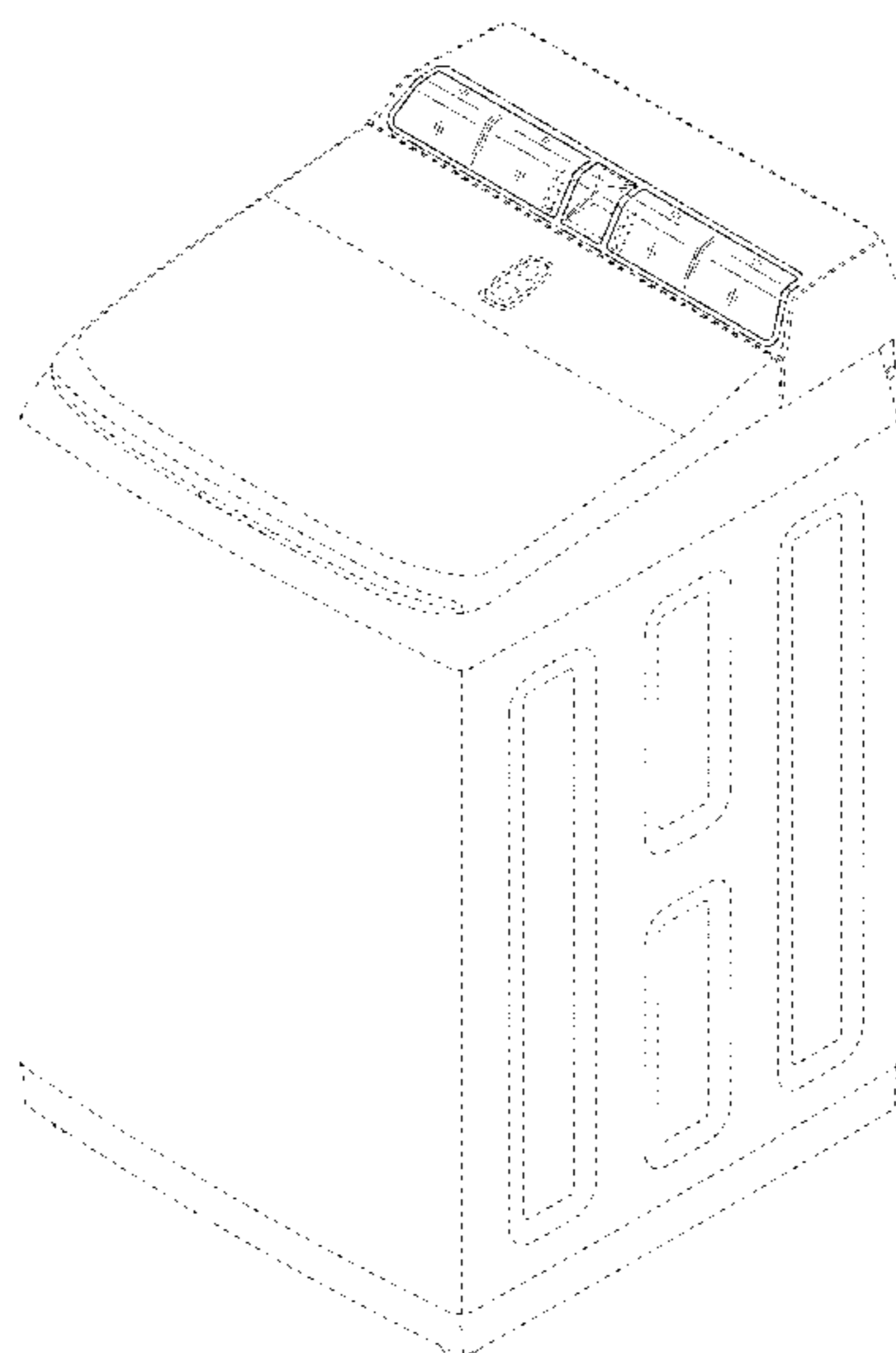
**DESCRIPTION**

FIG. 1 is a front perspective view of a washing machine showing our new design;  
FIG. 2 is a front view thereof;  
FIG. 3 is a rear view thereof;  
FIG. 4 is a left-side view thereof;  
FIG. 5 is a right-side view thereof;  
FIG. 6 is a top view thereof;  
FIG. 7 is a bottom view thereof; and,  
FIG. 8 is a front perspective view thereof shown in a state of use.

The broken lines in the figures depict environmental subject matter and form no part of the claimed design.

The dot-dash broken lines in the figures illustrate a boundary of the claimed design and form no part of the claimed design.

**1 Claim, 8 Drawing Sheets**



(56)

**References Cited**

## U.S. PATENT DOCUMENTS

D575,012	S	*	8/2008	Rossetto	.....	D32/6
D630,807	S	*	1/2011	Song	.....	D32/6
D632,033	S	*	2/2011	Song	.....	D32/6
D633,261	S	*	2/2011	Song	.....	D32/6
D654,640	S	*	2/2012	Song	.....	D32/6
D679,462	S	*	4/2013	Zhang	.....	D32/6
D694,965	S	*	12/2013	Lee	.....	D32/6
D699,907	S	*	2/2014	Choi	.....	D32/28
D701,656	S	*	3/2014	Choi	.....	D32/6
D729,998	S	*	5/2015	Jeon	.....	D32/6
D739,096	S	*	9/2015	Qin	.....	D32/6
D759,325	S	*	6/2016	Jeon	.....	D32/6
D760,454	S	*	6/2016	Joo	.....	D32/6
D761,502	S	*	7/2016	Joo	.....	D32/6
D761,503	S	*	7/2016	Choi	.....	D32/6
D762,021	S	*	7/2016	Qin	.....	D32/6
D762,025	S	*	7/2016	Joo	.....	D32/6
D764,121	S	*	8/2016	Choi	.....	D32/6
D772,505	S	*	11/2016	Bixby	.....	D32/25
D772,506	S	*	11/2016	Bixby	.....	D32/25

## FOREIGN PATENT DOCUMENTS

JP	D1183216	8/2003
JP	D1446043	7/2015
KR	30-2000-0015031	4/2001

\* cited by examiner

FIG. 1

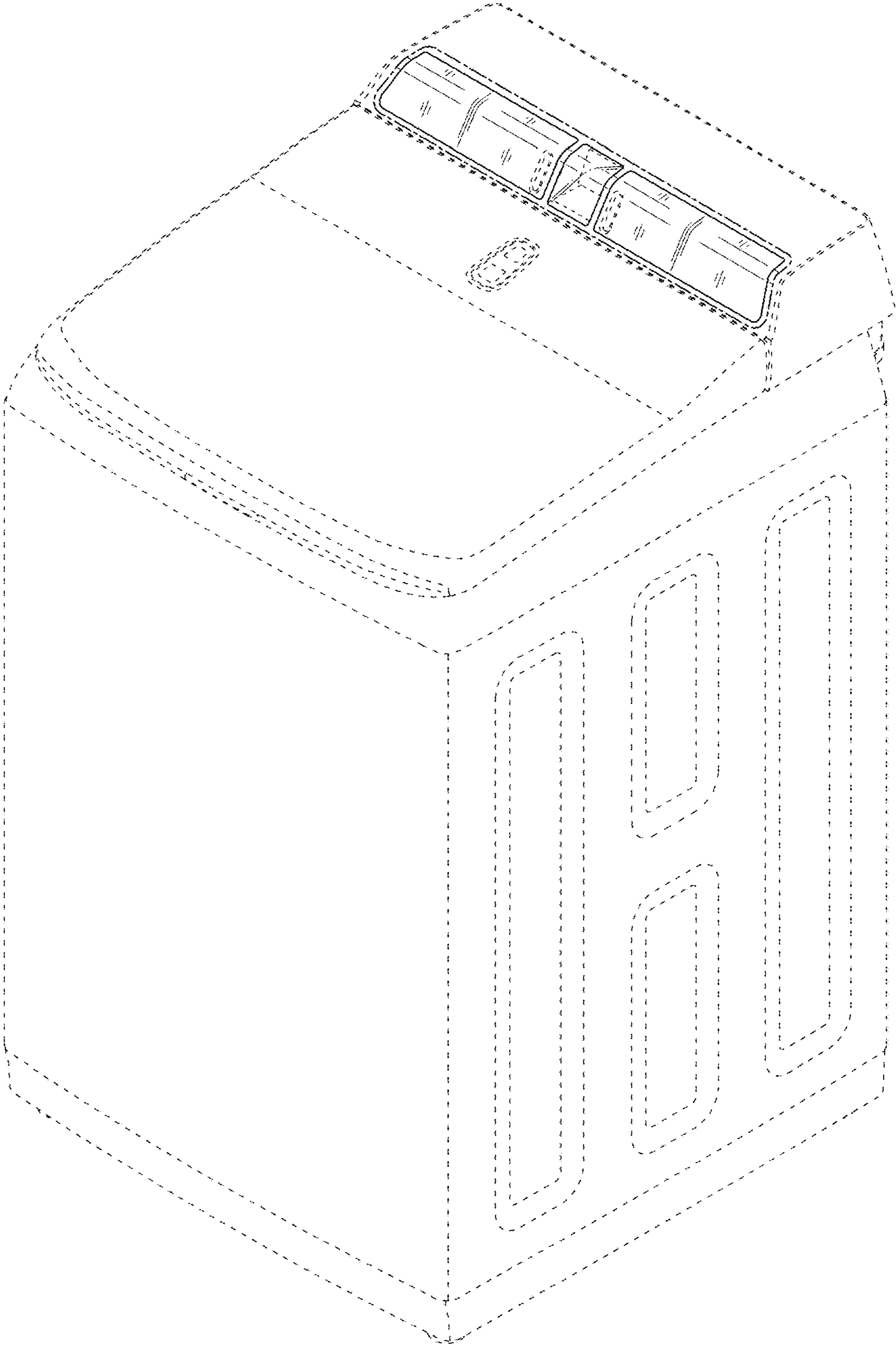


FIG. 2



FIG. 3

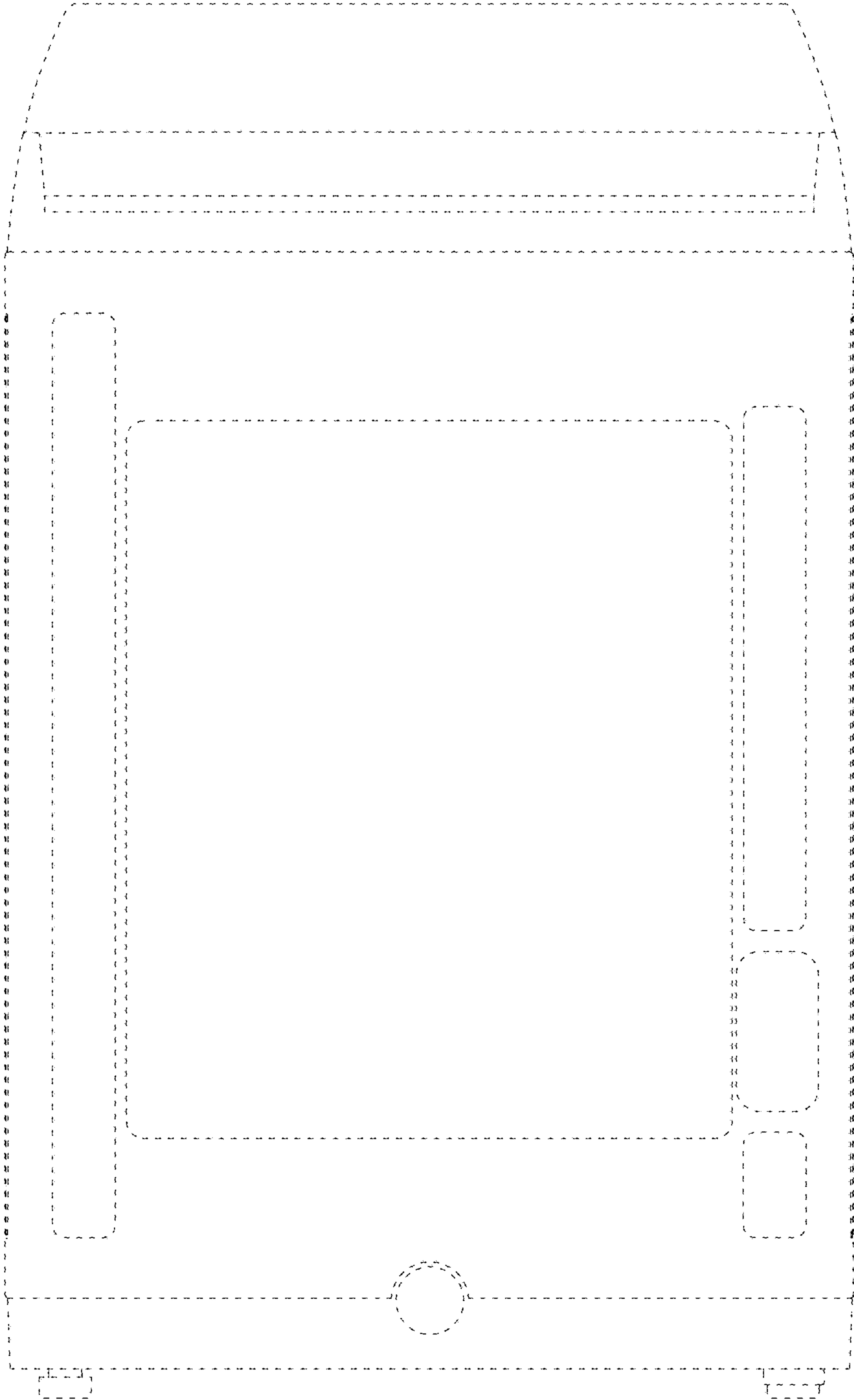


FIG. 4

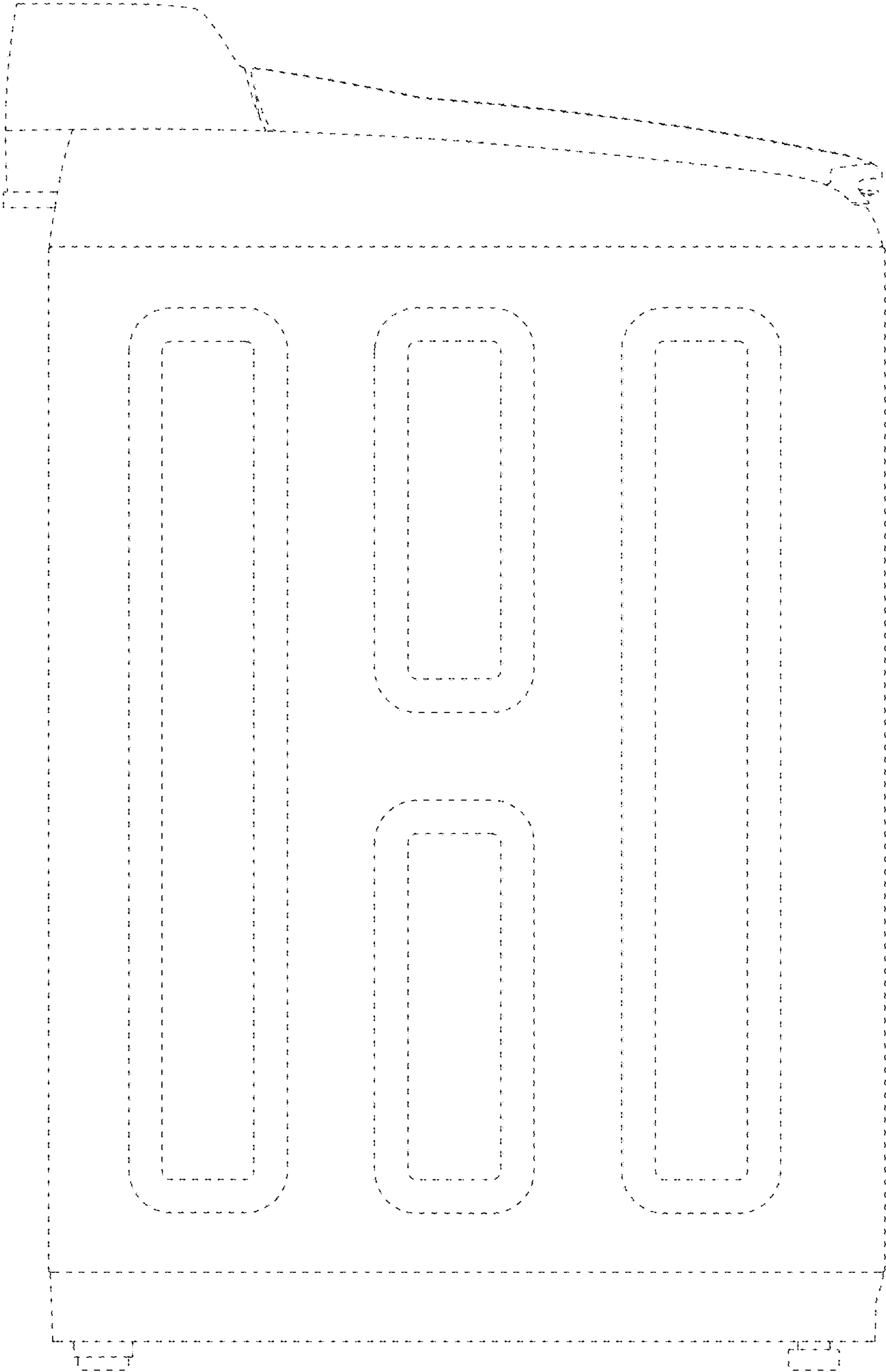


FIG. 5

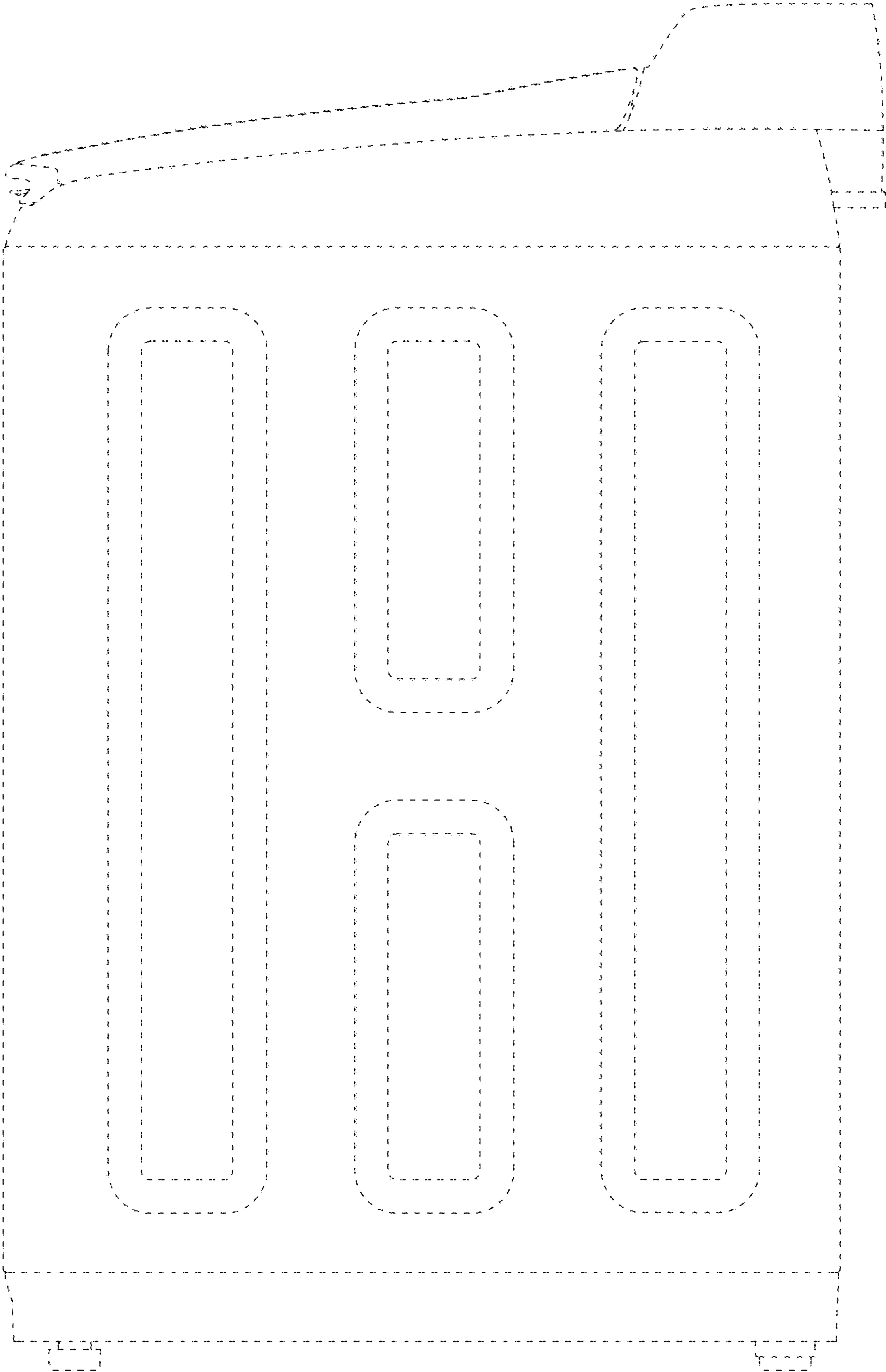


FIG. 6

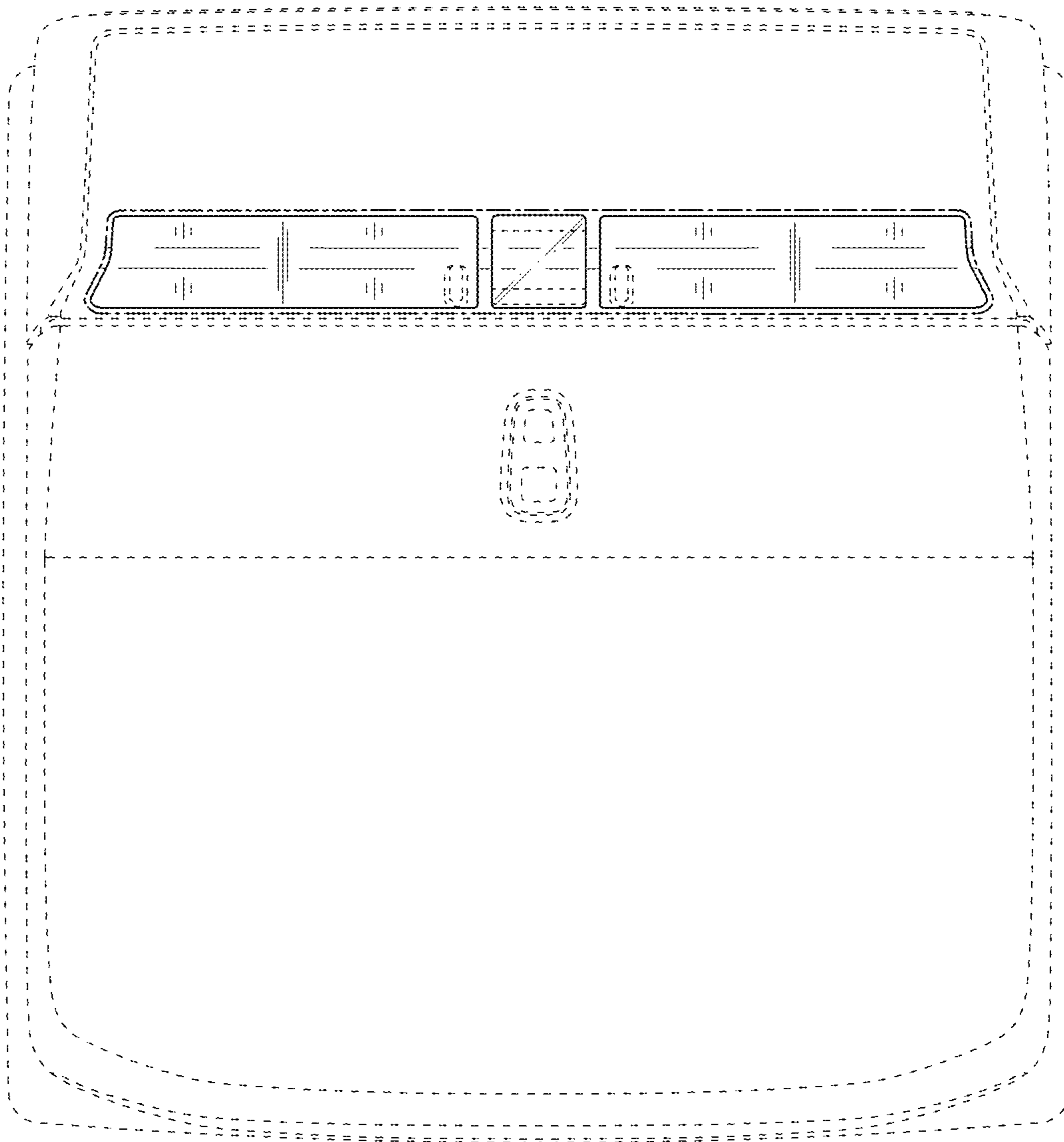




FIG. 7

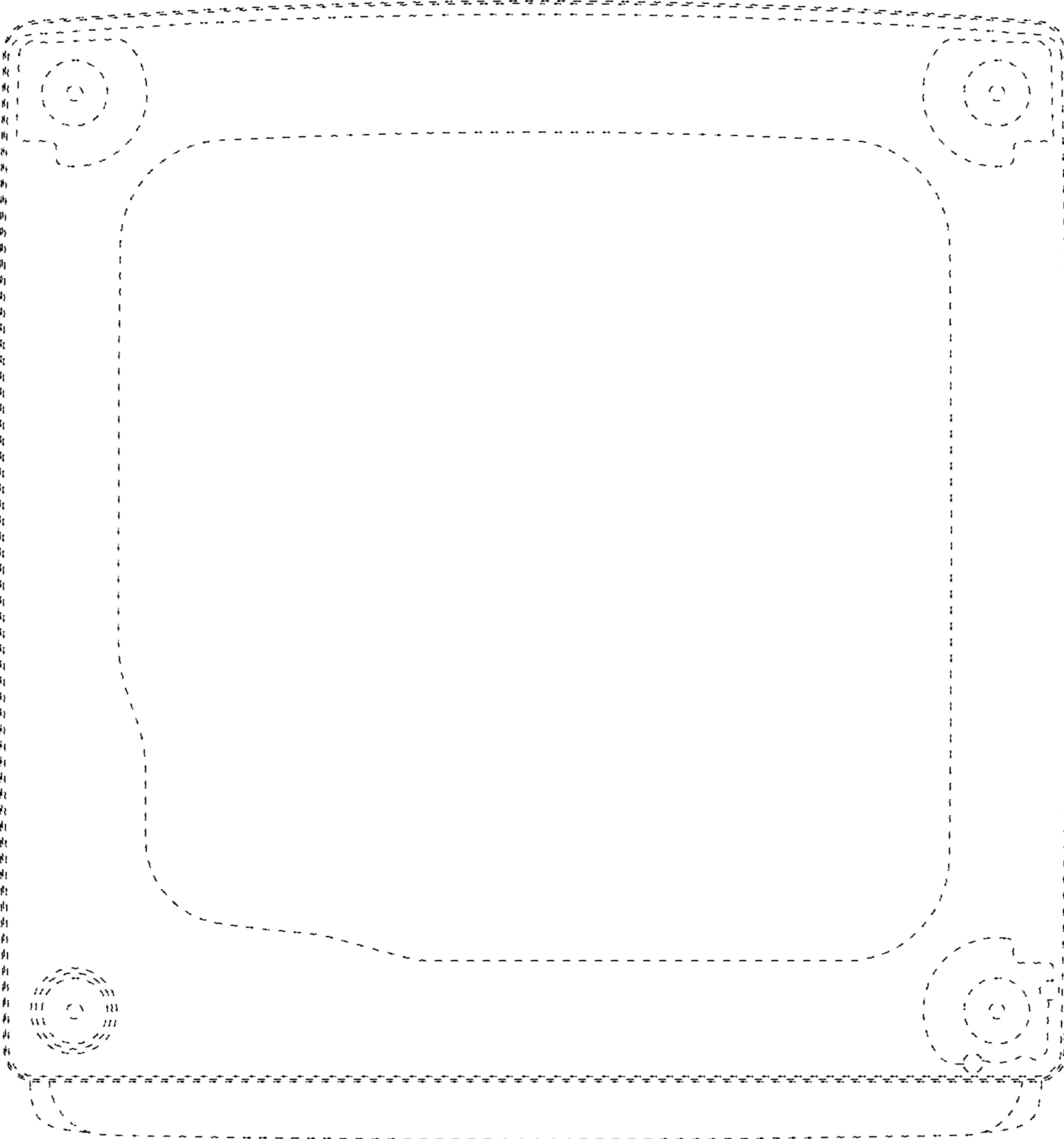


FIG. 8

