



US00D869781S

(12) **United States Design Patent**
Han

(10) **Patent No.:** **US D869,781 S**

(45) **Date of Patent:** **** Dec. 10, 2019**

(54) **PET BOWL**

(71) Applicant: **Youqing Han**, Guangdong (CN)

(72) Inventor: **Youqing Han**, Guangdong (CN)

(73) Assignee: **Shenzhen Triple Tree Branding LLC**,
Shenzhen, Guangdong (CN)

(**) Term: **15 Years**

(21) Appl. No.: **29/623,617**

(22) Filed: **Oct. 26, 2017**

(51) **LOC (12) Cl.** **30-03**

(52) **U.S. Cl.**

USPC **D30/130**; D30/129

(58) **Field of Classification Search**

USPC D30/121, 122, 129-133; 119/61.5, 51.01,
119/61.56, 51.03, 59, 62, 63, 51.5, 57.8,
119/74, 61.54, 61.55; 312/204, 234, 290;
248/151, 188; 108/156, 153.1-157;
220/23.87, 630, 737, 743, 9.4, 495.01,
220/574, 212, 255, 23.83, 606, 657, 8, 6,
220/4.28, 4.29, 4.31, 4.32, 9.1-9.3, 656,
220/665; 206/515, 514, 503-509, 524.3,
206/557, 563, 566, 567, 424, 771;
D7/586, 543, 550.1, 587, 505, 584, 545,
D7/500, 553.1-553.8, 546, 555, 556, 504,
D7/565, 562, 602, 676, 544, 548, 675,
D7/554.2, 551.1, 672, 677, 560; D9/429,
D9/425, 603, 432, 433, 414, 419, 424,
D9/423, 431, 418, 416, 760, 761, 632;
43/109; D22/122; 99/430, DIG. 15;
D27/106, 113, 114; 229/406, 185.1, 120,
229/171, 114, 193, 198, 175, 172, 182,
229/186, 933, 176, 178, 116, 125.19,
229/125.33, 5.82, 166, 198.1, 199, 5.7,
229/162.1, 174, 931, 117.07, 122.27,
229/162.4, 162.6, 125.08, 920, 930;
426/104, 106, 126, 398; D6/510, 475;
D34/1, 38; D3/302-314, 276, 273, 201,

D3/901, 903, 319; D19/75, 90;
D12/424, 425; 493/82, 183, 89, 110,
493/133, 167, 137; 217/122, 125, 40;
D11/155, 156; 47/904, 65.7, 65.8, 66.3,
47/79; 53/477; 383/106, 105, 121, 39,
383/40; 281/20; 73/323

CPC A01K 5/0114-5/0142; A01K 7/005; B65D
5/3607; B65D 5/3635; B65D 5/42; B65D
5/365

See application file for complete search history.

(56) **References Cited**

U.S. PATENT DOCUMENTS

2,677,350 A * 5/1954 Prestidge A01K 5/0142
119/61.53
3,734,062 A * 5/1973 O'Hara A01K 5/0135
119/61.54
D229,073 S * 11/1973 Brickel D30/130
D259,669 S * 6/1981 Peterson D30/130
D262,069 S * 11/1981 Khider D30/130
D294,531 S * 3/1988 Neunzig D30/130
D296,485 S * 6/1988 Peterson D30/130
D326,742 S * 6/1992 Tart 119/61.1

(Continued)

Primary Examiner — Susan Moon Lee

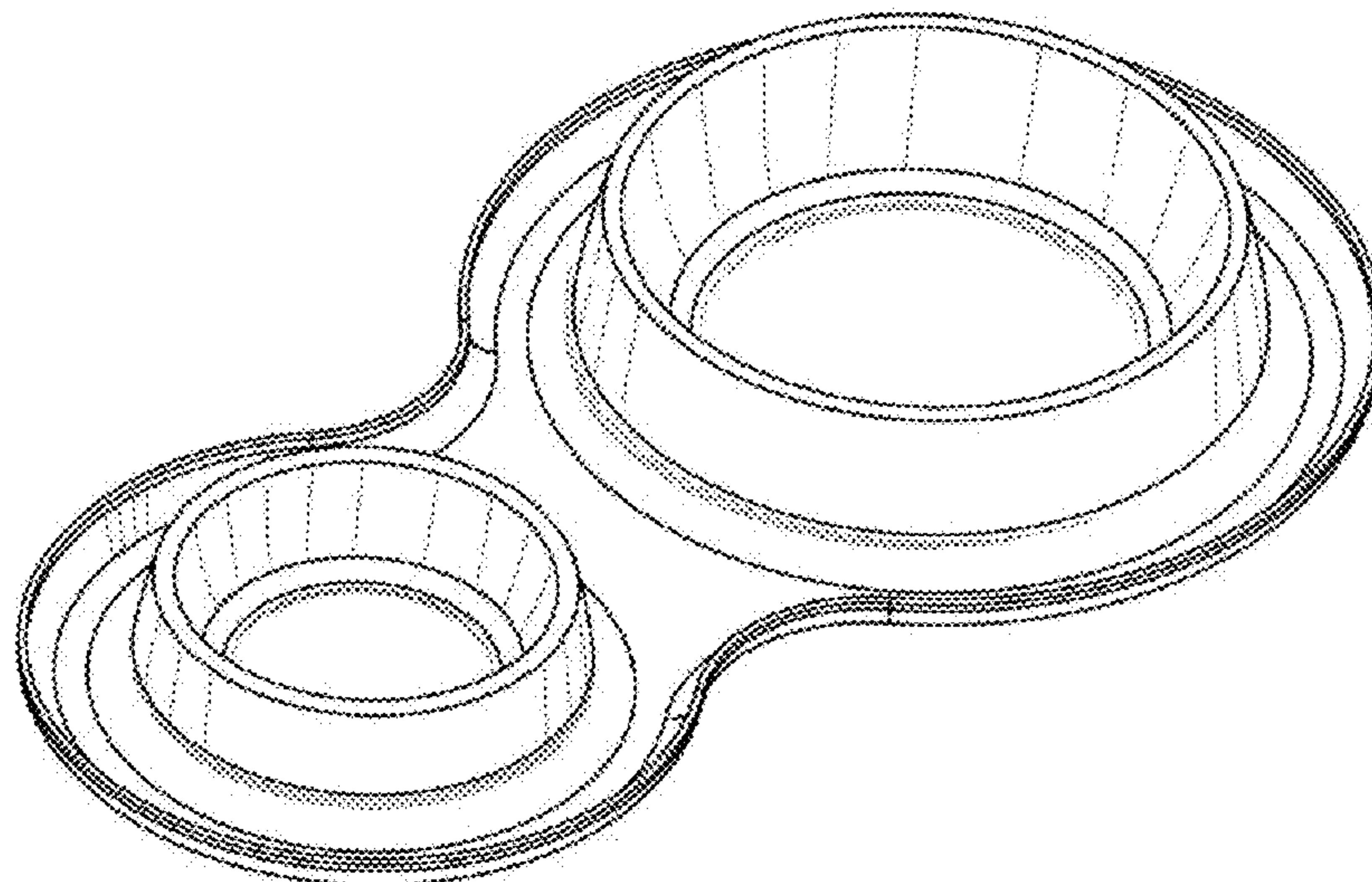
(57) **CLAIM**

I claim the ornamental design for a pet bowl, as shown and described.

DESCRIPTION

FIG. 1 is a perspective view of a pet bowl showing my new design;
FIG. 2 is a front elevational view thereof;
FIG. 3 is a rear elevational view thereof;
FIG. 4 is a left side elevational view thereof;
FIG. 5 is a right side elevational view thereof;
FIG. 6 is a top plan view thereof; and,
FIG. 7 is a bottom plan view thereof.

1 Claim, 7 Drawing Sheets



(56)

References Cited

U.S. PATENT DOCUMENTS

D336,555 S *	6/1993	Goetz	D30/131	D569,560 S *	5/2008	Greenan	D30/129
D342,806 S *	12/1993	Jones	D24/227	D582,101 S *	12/2008	Shamoon	D30/129
D362,090 S *	9/1995	Baldwin	D30/130	D587,970 S *	3/2009	Zack	D7/541
5,493,998 A *	2/1996	Warren	A01K 5/0114	D592,813 S *	5/2009	Newsome	D30/129
			119/61.54	D597,262 S *	7/2009	Shamoon	D30/130
D367,736 S *	3/1996	Goetz	D30/130	D601,310 S *	9/2009	Greenan	D30/129
D370,314 S *	5/1996	Pearson-Falcon	D30/130	D611,306 S *	3/2010	Zack	D19/103
D379,684 S *	6/1997	Dennis	D30/130	D659,297 S *	5/2012	Stygstra	D30/130
5,775,255 A *	7/1998	Louviere, III	A01K 5/0142	D659,913 S *	5/2012	Spectre	D30/130
			119/51.5	D664,308 S *	7/2012	Crystal	D30/130
D423,292 S *	4/2000	Horvat	D7/553.6	D681,286 S *	4/2013	Namvong	D30/129
6,478,277 B2 *	11/2002	Winquest	A01K 5/0142	D722,407 S *	2/2015	Roslonski	D30/130
			119/61.53	D723,751 S *	3/2015	Palmer	D30/130
D497,041 S *	10/2004	Plante	D30/130	D802,853 S *	11/2017	MacNeil	D30/133
D512,801 S *	12/2005	Kratzer	D30/130	D807,705 S *	1/2018	Laurain	D7/555
D514,751 S *	2/2006	Plante	D30/130	D811,666 S *	2/2018	Lopez	D30/133
D523,185 S *	6/2006	Oliphant	A01K 5/0142	D823,553 S *	7/2018	Liu	D30/130
			D30/129	D824,119 S *	7/2018	Yang	D30/130
D541,488 S *	4/2007	Marsh	D30/130	D850,858 S *	6/2019	Roaks	D7/555
D551,400 S *	9/2007	Tsengas	D30/133	10,349,623 B1 *	7/2019	Stygstra	A01K 5/00
				2011/0283947 A1 *	11/2011	Linke	A01K 5/0142
							119/61.53
				2017/0086423 A1 *	3/2017	Wall	A01K 5/0135

* cited by examiner

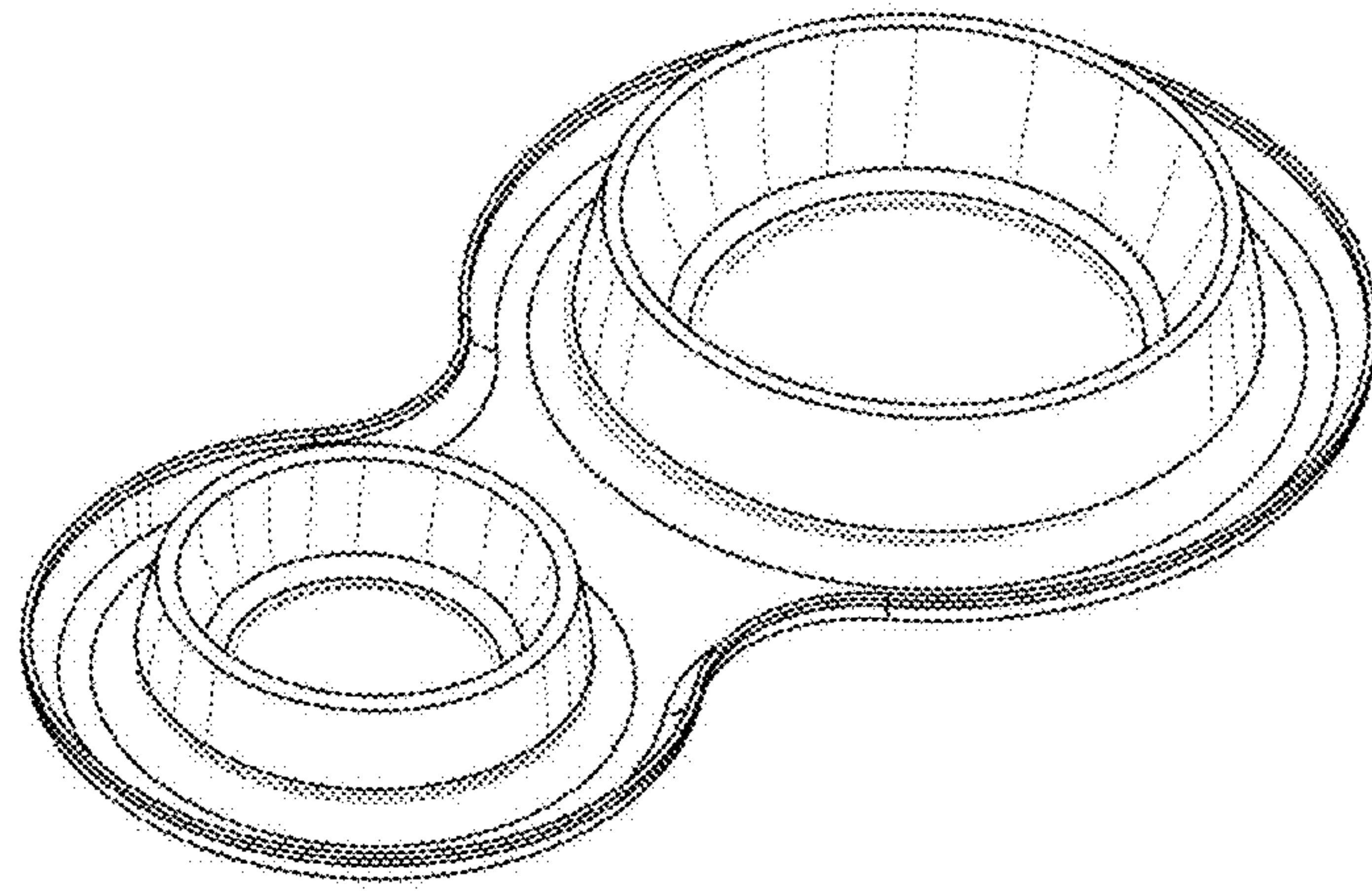


FIG.1

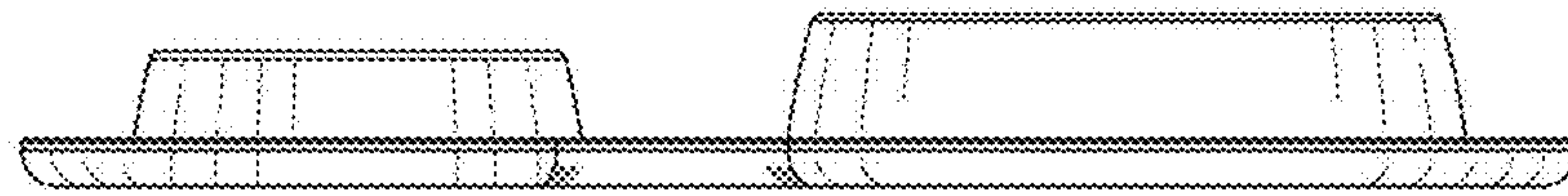


FIG.2

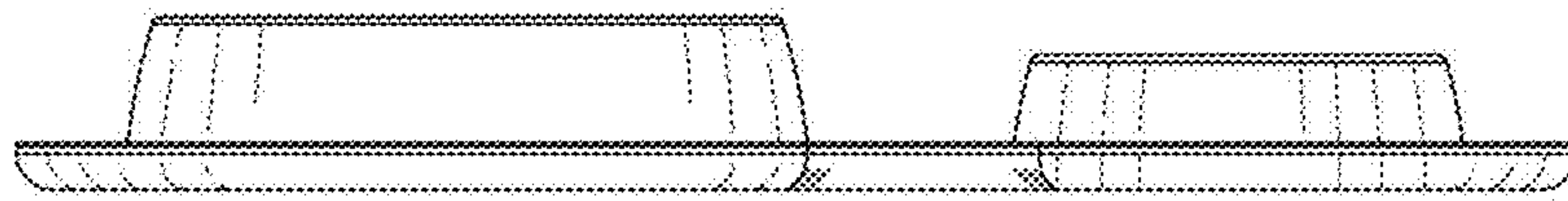


FIG.3

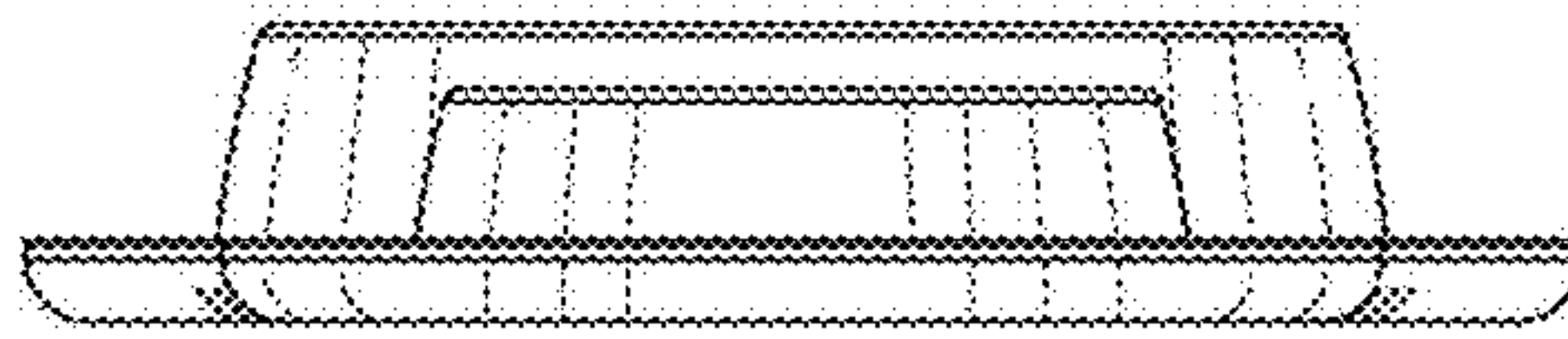


FIG.4

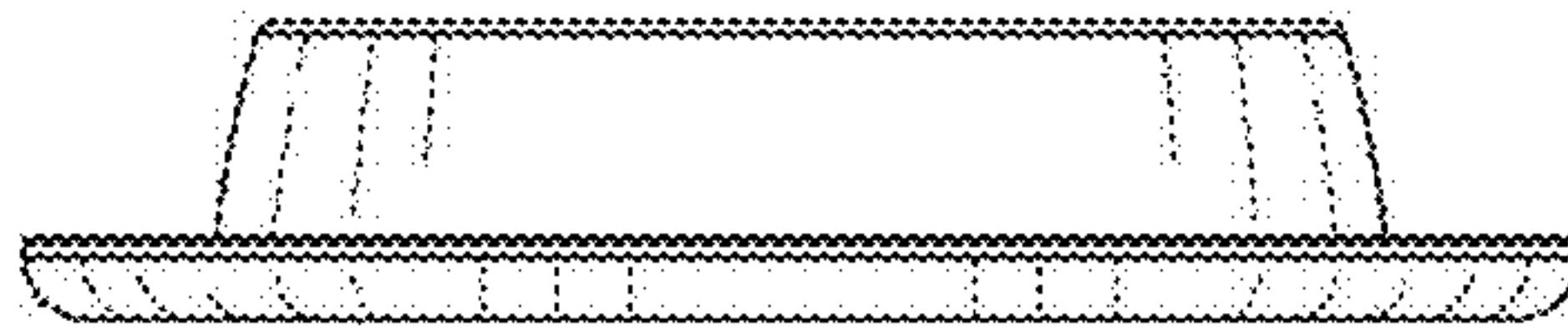


FIG.5

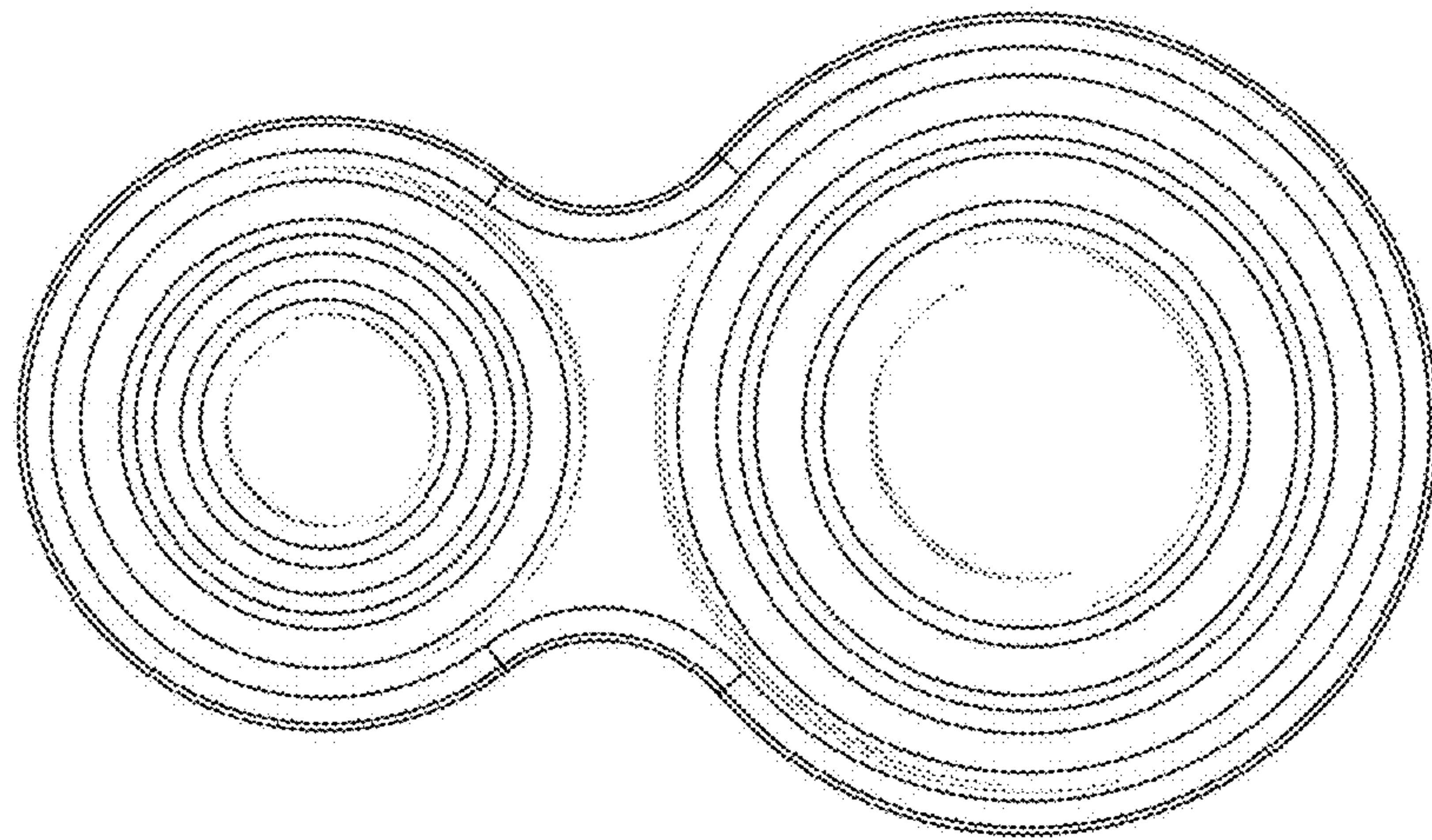


FIG.6

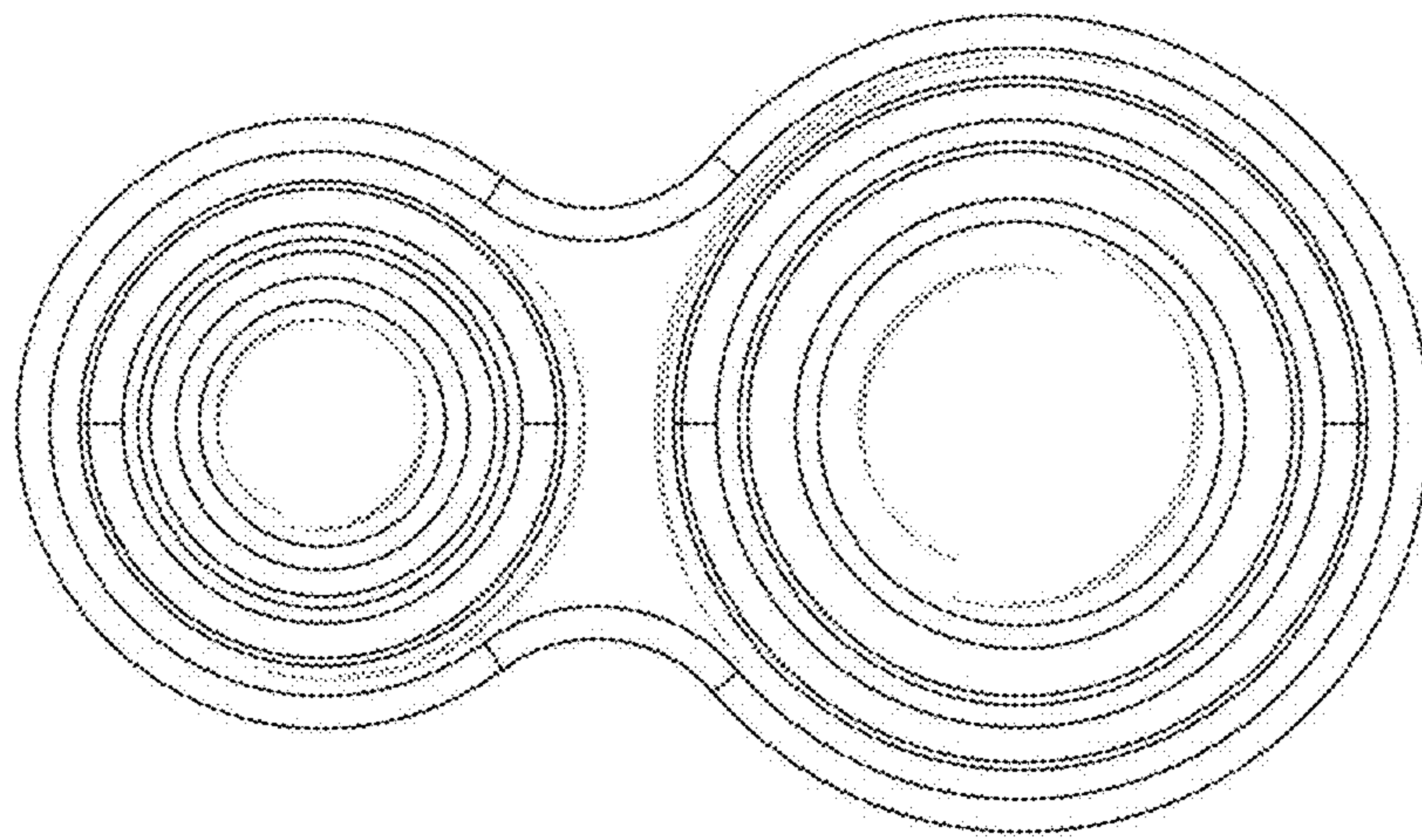


FIG.7