



US00D869775S

(12) **United States Design Patent** (10) **Patent No.:** **US D869,775 S**
Voosen (45) **Date of Patent:** **** Dec. 10, 2019**

(54) **THUMB GUARD**
(71) Applicant: **VSQUAD, LLC**, Alpharetta, GA (US)
(72) Inventor: **Bradley Voosen**, Alpharetta, GA (US)
(73) Assignee: **VSQUAD, LLC**, Alpharetta, GA (US)
(**) Term: **15 Years**
(21) Appl. No.: **29/643,924**
(22) Filed: **Apr. 12, 2018**
(51) **LOC (12) Cl.** **02-06**
(52) **U.S. Cl.**
USPC **D29/114**
(58) **Field of Classification Search**
USPC ... D29/113, 116.1, 116.2, 117.1, 117.2, 118,
D29/119, 123, 114
CPC .. A61F 13/105; A61F 5/05875; A41D 13/087
See application file for complete search history.

(56) **References Cited**
U.S. PATENT DOCUMENTS
882,117 A * 3/1908 McElhone A61F 13/105
294/25
1,783,984 A * 12/1930 Shane A45D 29/00
2/21
3,513,842 A * 5/1970 Berg A61F 5/0109
602/60
D248,598 S * 7/1978 Bahmer D11/27
D465,306 S * 11/2002 Price D29/114
D528,249 S * 9/2006 Gazau D29/113
D686,779 S * 7/2013 Williams D29/114
D705,228 S * 5/2014 Peters D11/26
D728,862 S * 5/2015 Kurowski D29/114
2003/0154533 A1 * 8/2003 Young A41D 13/087
2/21

2008/0060107 A1* 3/2008 Capson A41D 13/087
2/21
2010/0110014 A1* 5/2010 Dayhoff A41D 13/087
345/169
2010/0125924 A1* 5/2010 McWherter A41D 13/087
2/21

OTHER PUBLICATIONS

Antique Edwardian Shield Ring, posted at 1stdibs.com, posting date not given, [online], [site visited Aug. 22, 2019]. Available from Internet, URL: https://www.1stdibs.com/jewelry/rings/band-rings/antique-edwardian-shield-ring-18-carat-dated-chester-1910/id-j_4629153/ (Year: 2019).*

(Continued)

Primary Examiner — George D. Kirschbaum
Assistant Examiner — Maria J Edwards
(74) *Attorney, Agent, or Firm* — Mathew L. Grell; Jeffrey C. Watson; Grell & Watson Patent Attorneys LLC

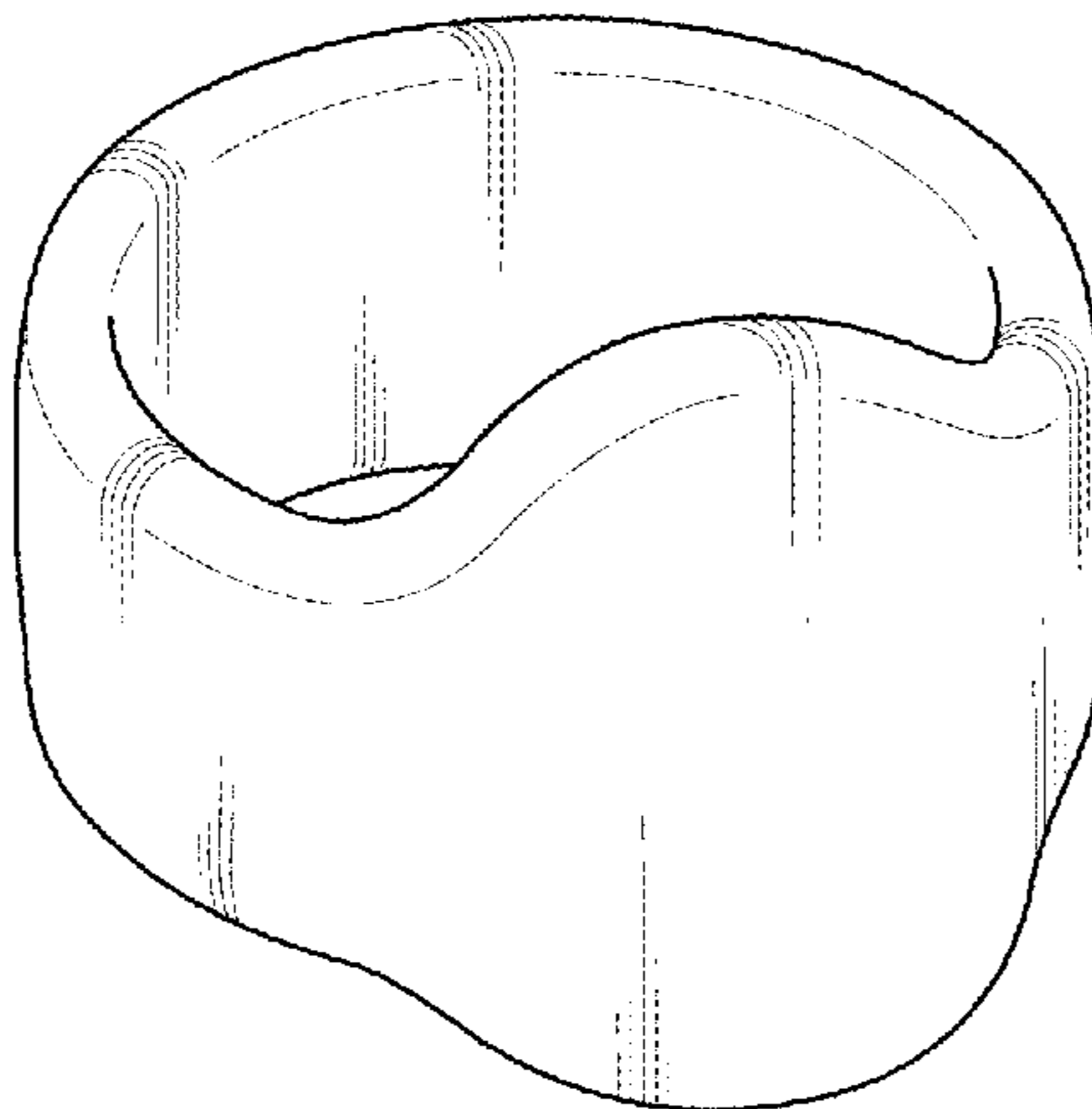
(57) **CLAIM**

The ornamental design for a thumb guard, as shown and described.

DESCRIPTION

FIG. 1 is a top front perspective view of a thumb guard showing my new design;
FIG. 2 is a top view thereof;
FIG. 3 is a bottom view thereof;
FIG. 4 is a right side view thereof (the left side being a mirror view of the right side);
FIG. 5 is a front view thereof (the rear view being a mirror image of the front view); and,
FIG. 6 is a top view of the thumb guard shown in-use with the thumb guard positioned on a user's thumb.
The broken line portions of FIG. 6 depict environment that forms no part of the claimed design.

1 Claim, 6 Drawing Sheets



(56)

References Cited

OTHER PUBLICATIONS

JBM Adult Finger Brace Sleeve, posted at amazon.com, posting date by Sep. 12, 2016, [online], [site visited Aug. 22, 2019]. Available from Internet, URL: <https://www.amazon.com/JBM-Protector-Comfortable-Breathable-Volleyball/dp/B01AFV2D08/> (Year: 2016).*

JerkFit Nubs Thumb Protector, posted at amazon.com, posting date by Jul. 13, 2016, [online], [site visited Aug. 22, 2019]. Available from Internet, URL: <https://www.amazon.com/JerkFit-Crossfit-Thumb-Sleeves-Medium/dp/B00KRVTZL2/> (Year: 2016).*

Povihome Finger Sleeve Protector, posted at amazon.com, posting date by Dec. 14, 2017, [online], [site visited Aug. 22, 2019]. Available from Internet, URL: <https://www.amazon.com/Povihome-Protector-Silicone-Arthritis-Basketball/dp/B075WTP25H/> (Year: 2017).*

Protective Silicon Rings, posted at thumbshield.com, posting date not given, [online], [site visited Aug. 22, 2019]. Available from Internet, URL: <https://thumbshield.com> (Year: 2019).*

Silver Plated Thumb Ring Size, posted at onbuy.com, posting date not given, [online], [site visited Aug. 22, 2019]. Available from Internet, URL: <https://www.onbuy.com/gb/rings/silver-plated-thumb-ring-size-p-12-uk-large-shield-statement-chunky-heavy-c5916-p6612265/> (Year: 2019).*

Tioneer Stainless Steel Owl Ring, posted at walmart.com, posting date not given, [online], [site visited Aug. 22, 2019]. Available from Internet, URL: <https://www.walmart.com/ip/Stainless-Steel-Owl-Wisdom-Coat-of-Arms-Shield-Chevron-Pattern-Biker-Style-Polished-Ring/720589278> (Year: 2019).*

* cited by examiner

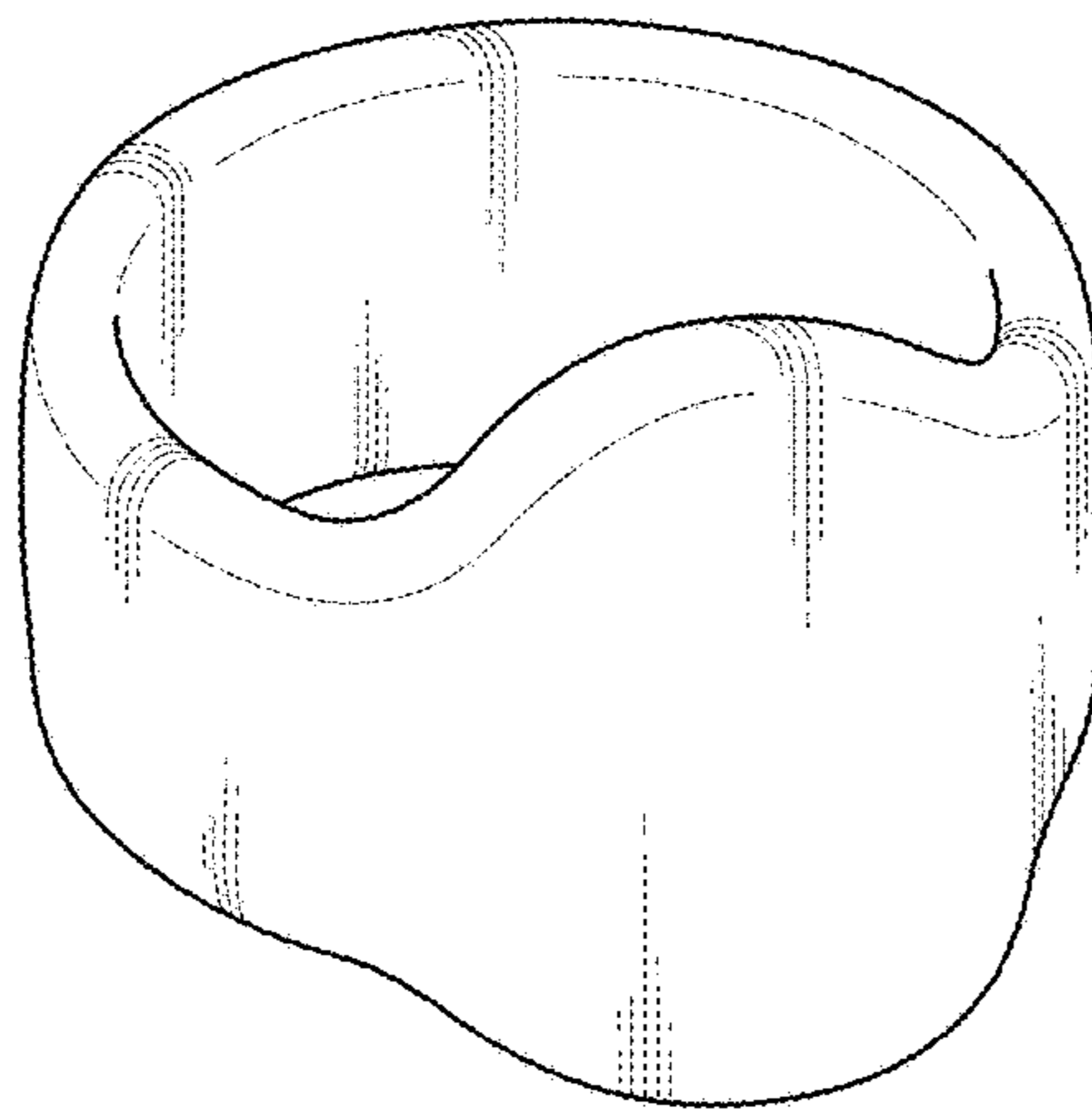


FIG. 1

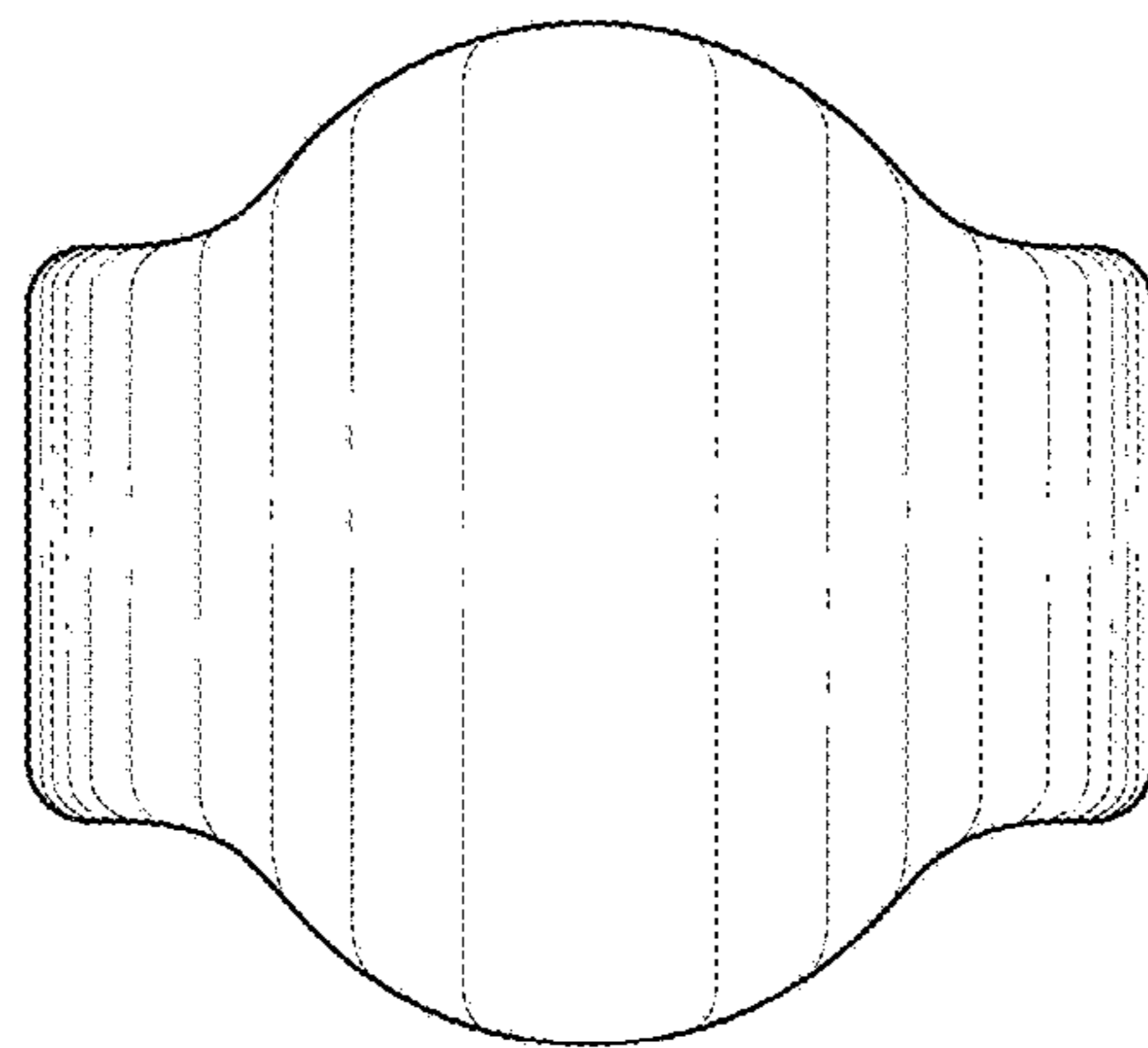


FIG. 2

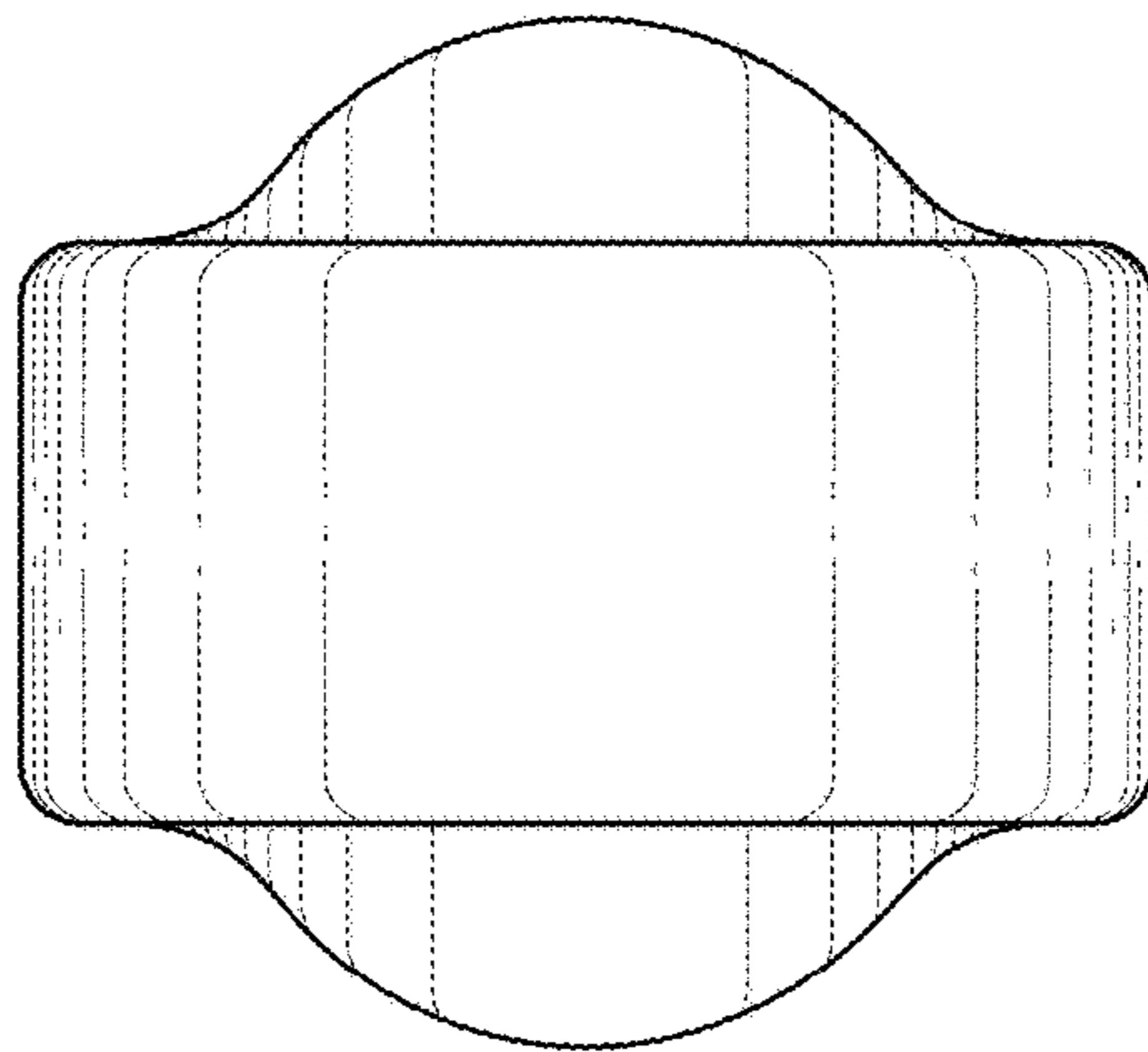


FIG. 3

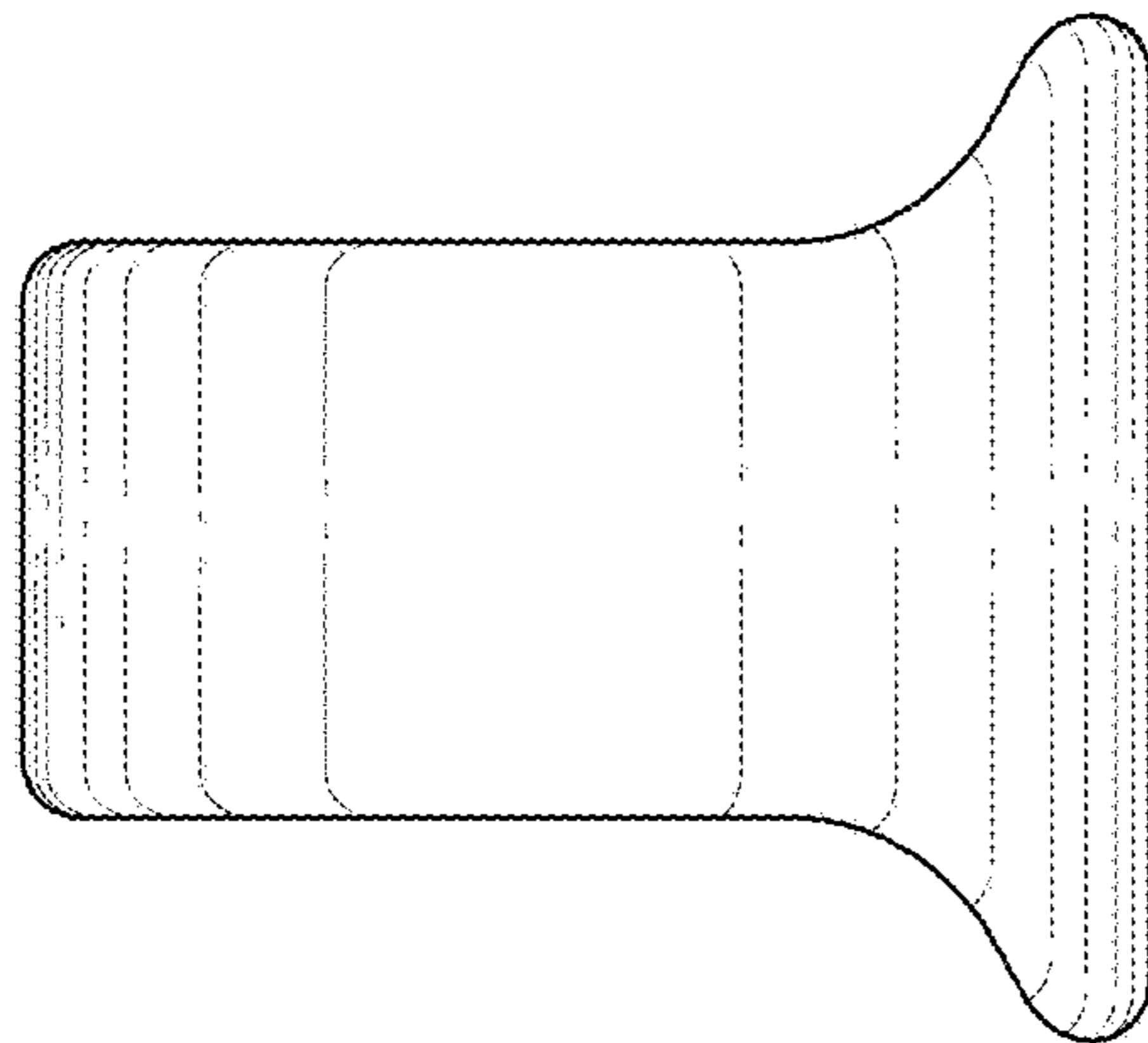


FIG. 4

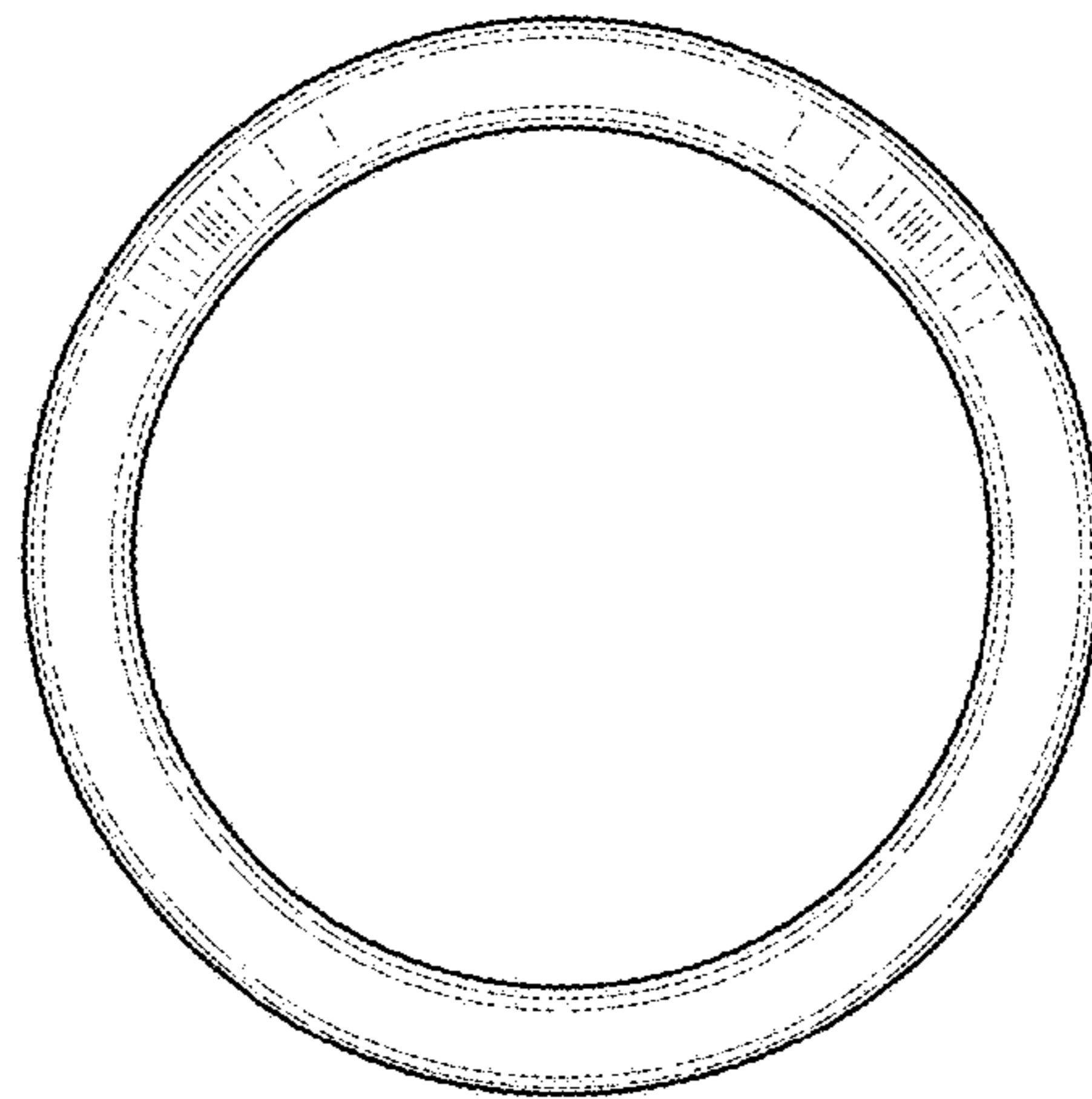


FIG. 5

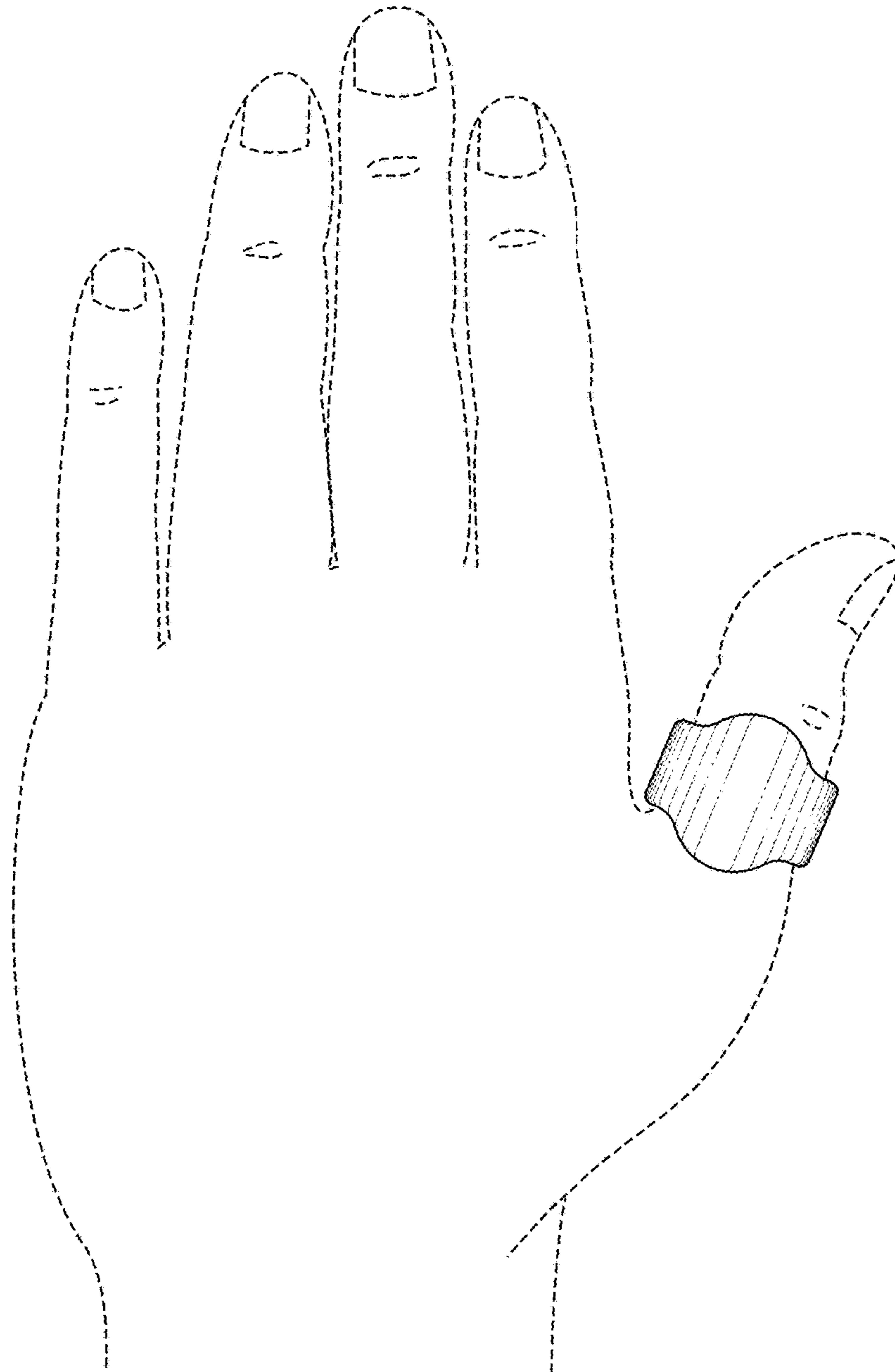


FIG. 6