



US00D869771S

(12) **United States Design Patent**  
**De Lataillade**

(10) **Patent No.:** **US D869,771 S**

(45) **Date of Patent:** **\*\* Dec. 10, 2019**

(54) **ATOMIZER**

(71) Applicant: **CLARINS FRAGRANCE GROUP,**  
Paris (FR)

(72) Inventor: **Christophe De Lataillade,** Paris (FR)

(73) Assignee: **Clarins Fragrance Group,** Paris (FR)

(\*\*) Term: **15 Years**

(21) Appl. No.: **29/647,534**

(22) Filed: **May 14, 2018**

(30) **Foreign Application Priority Data**

Mar. 6, 2018 (EM) ..... 004742625-0003

(51) **LOC (12) Cl.** ..... **28-03**

(52) **U.S. Cl.**  
USPC ..... **D28/91.1; D9/663**

(58) **Field of Classification Search**  
USPC ..... D28/5, 59, 46, 76, 79, 91, 91.1; D9/516,  
D9/519, 523, 549, 554, 441, 446, 661,  
D9/662, 663, 682  
CPC ... A45D 1/00; A45D 1/03; A45D 2/48; A45D  
2/06; A45D 29/04; A45D 29/11; A45D  
29/18; A45D 34/00; A45D 34/005; A45D  
34/007; A45D 34/02; A45D 26/00; A45D  
26/0066; A44C 15/002

See application file for complete search history.

(56) **References Cited**

**U.S. PATENT DOCUMENTS**

D72,564 S \* 5/1927 Oppenheim, Jr. .... D9/661  
D164,566 S \* 9/1951 Friedman ..... D9/663  
D368,661 S \* 4/1996 Hiro ..... D9/529  
D547,197 S \* 7/2007 Hermel ..... D9/519  
D588,927 S \* 3/2009 Antretter ..... D9/451  
D595,591 S \* 7/2009 Andiano ..... D9/520  
D596,489 S \* 7/2009 Weiss ..... D9/519  
D606,875 S \* 12/2009 Vila ..... D9/544

D632,576 S \* 2/2011 Hermel ..... D9/519  
D663,619 S \* 7/2012 Pillet ..... D9/452  
D671,411 S \* 11/2012 Bourguignon ..... D9/519  
D683,222 S \* 5/2013 McGregor ..... D9/661  
D689,369 S \* 9/2013 Dumas ..... D9/545  
D700,058 S \* 2/2014 Faillant Dumas ..... D9/545  
D747,967 S \* 1/2016 Lozano Domenech ..... D9/500  
D756,228 S \* 5/2016 Premkumar ..... D9/523  
D757,920 S \* 5/2016 Lin ..... D23/366  
D763,700 S \* 8/2016 Rasgon ..... D9/519  
D779,334 S \* 2/2017 White ..... D9/556  
D806,550 S \* 1/2018 DeMarco ..... D9/542  
D809,391 S \* 2/2018 Funk ..... D9/500

**OTHER PUBLICATIONS**

Glass flower shaped perfume bottle rose shape perfume bottle, Etsy, "vintage from before 2000", retrieved on May 19, 2019, retrieved from the Internet URL: <https://www.etsy.com/dk-en/listing/636122935/glass-flower-shaped-perfume-bottle-rose>.\*

\* cited by examiner

*Primary Examiner* — Jennifer Rivard

*Assistant Examiner* — Alison M Ofstun

(74) *Attorney, Agent, or Firm* — Avery N. Goldstein;  
Blue Filament Law PLLC

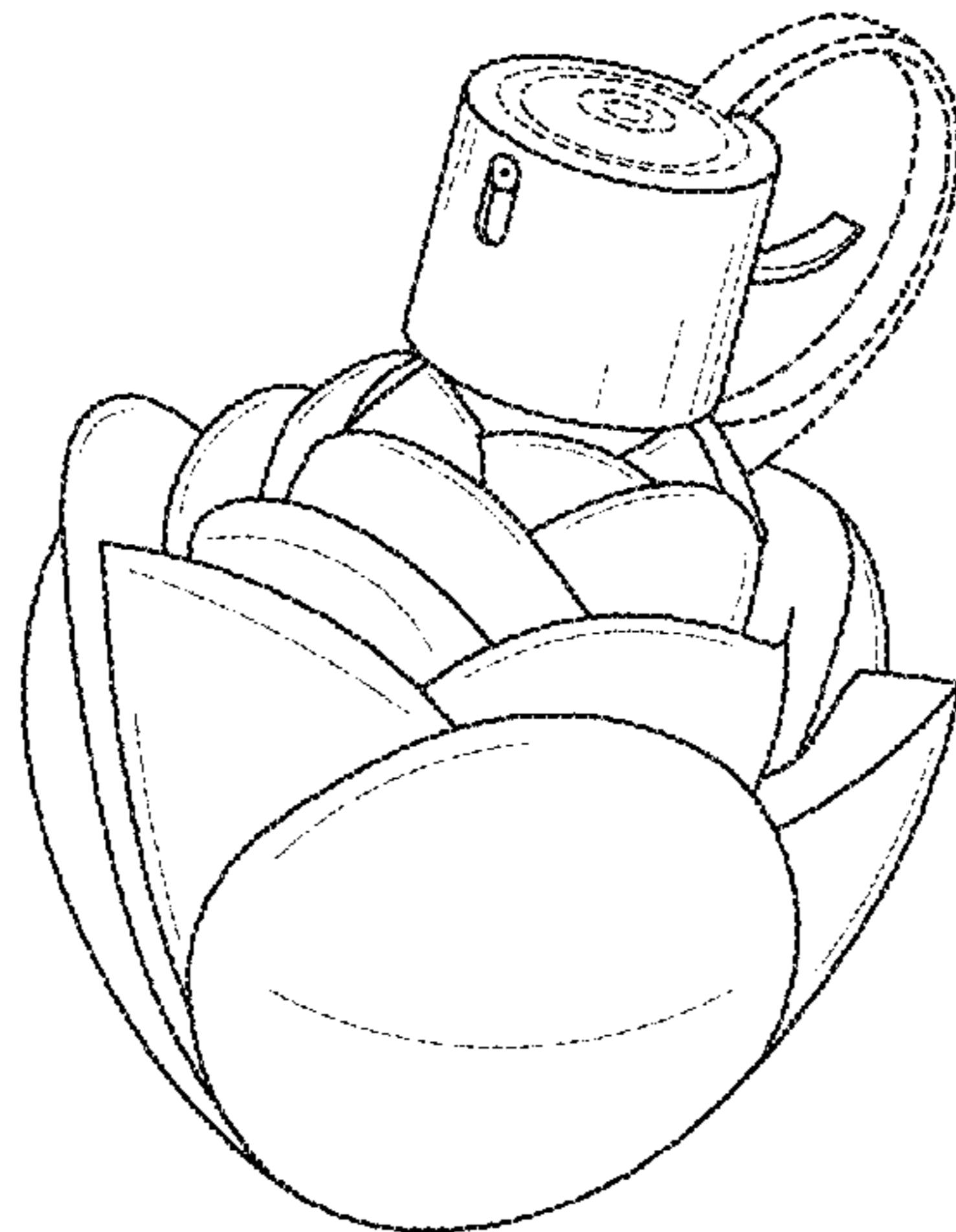
(57) **CLAIM**

The ornamental design for an atomizer, as shown and described.

**DESCRIPTION**

FIG. 1 is a perspective view of a atomizer;  
FIG. 2 is a top view of the atomizer depicted in FIG. 1;  
FIG. 3 is a side view of the of the atomizer depicted in FIG. 1; and,  
FIG. 4 is a front view of the of the atomizer depicted in FIG. 1.  
The broken lines in the figures represent portions of the atomizer which form no part of the claimed design.

**1 Claim, 1 Drawing Sheet**



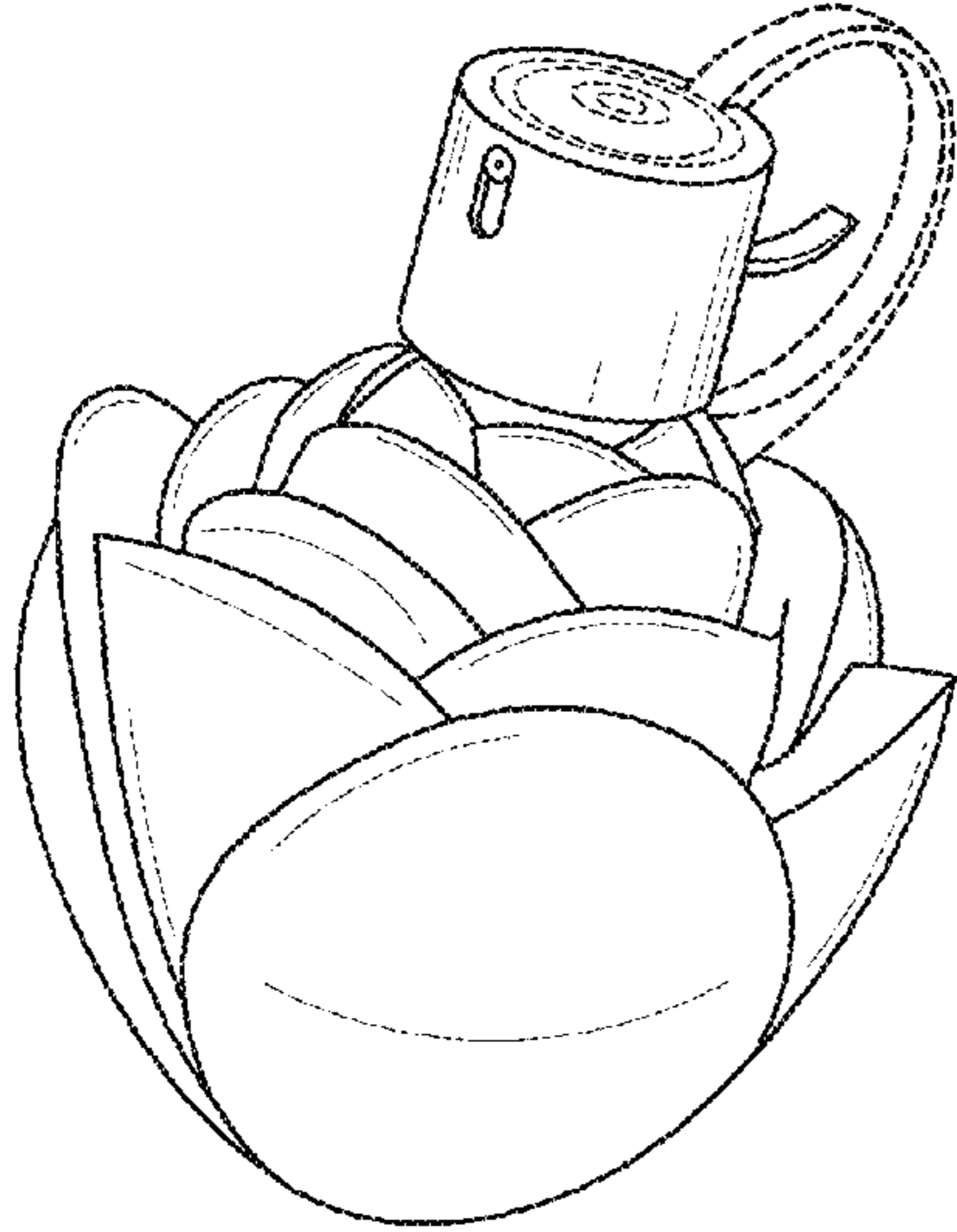


FIG. 1

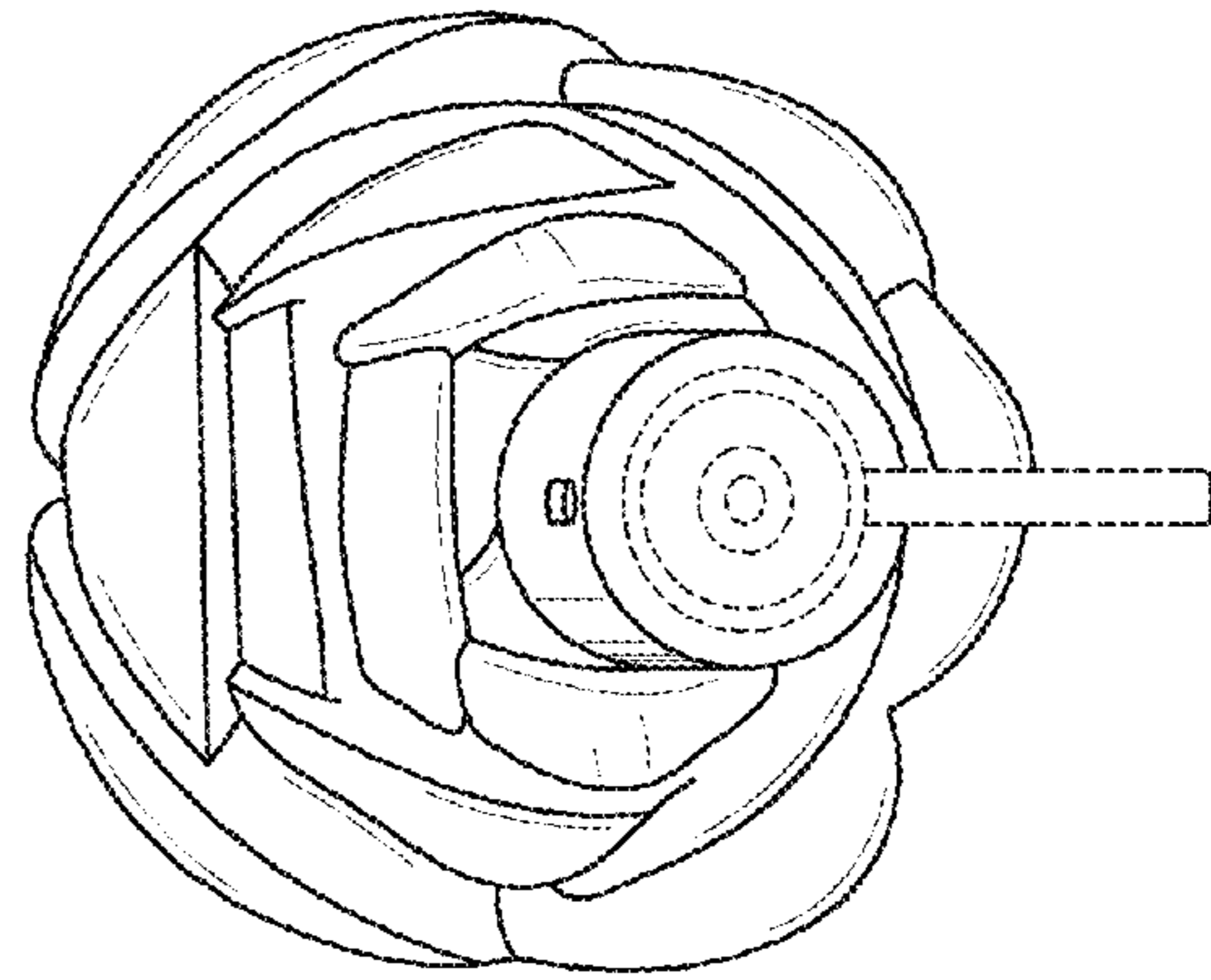


FIG. 2

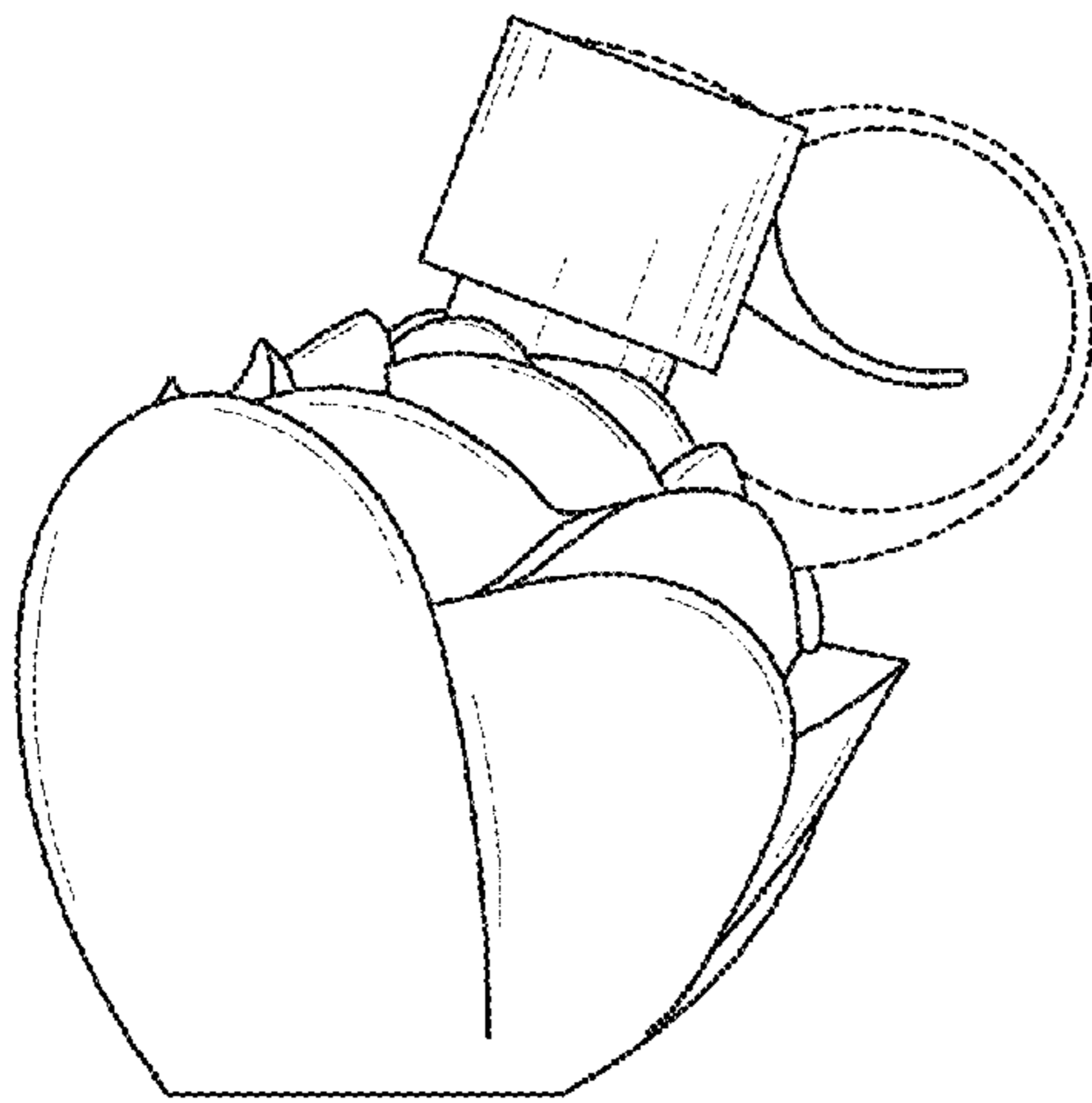


FIG. 3

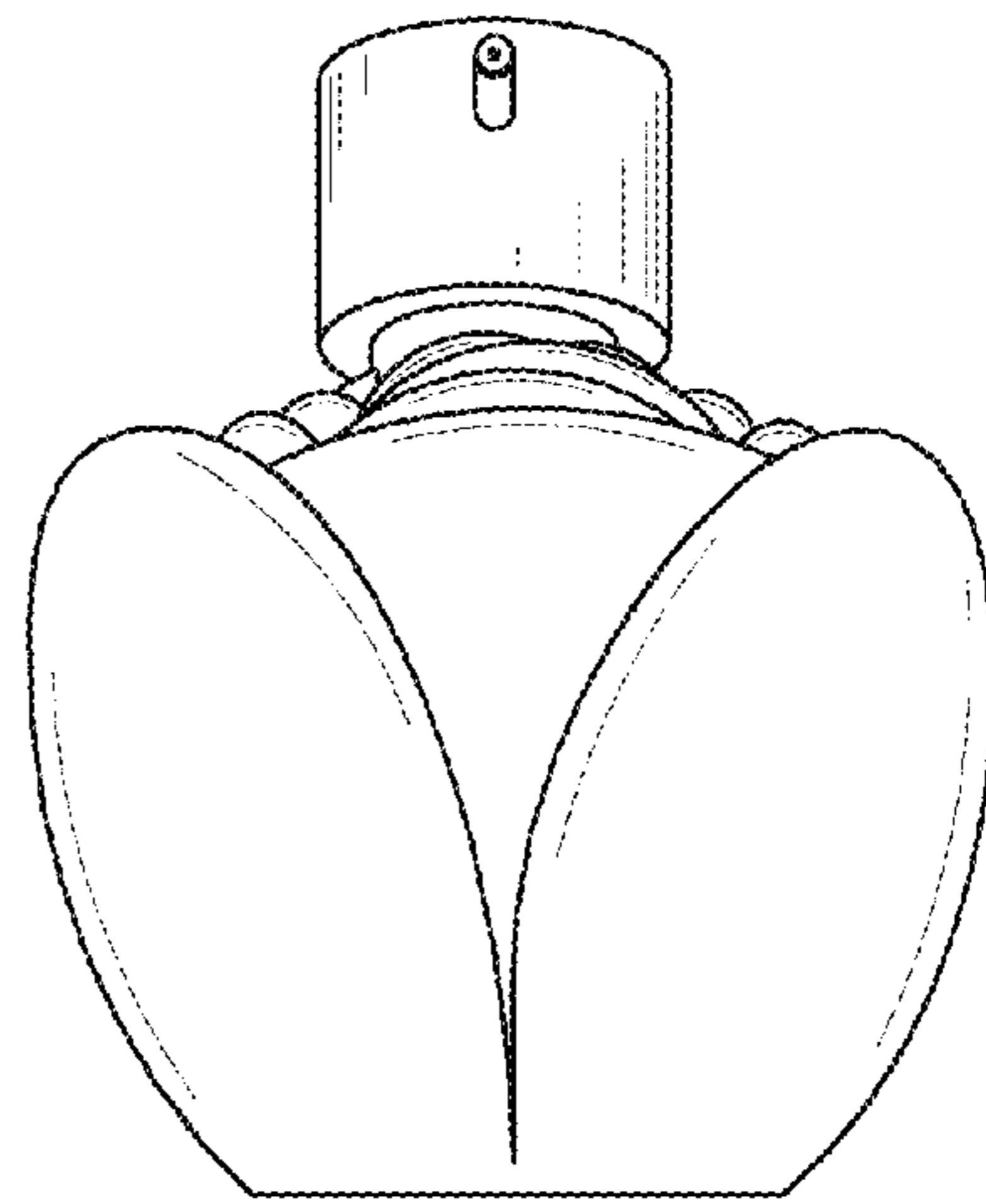


FIG. 4