

US00D869763S

(12) **United States Design Patent**
Atkinson et al.

(10) **Patent No.:** **US D869,763 S**
(45) **Date of Patent:** **** Dec. 10, 2019**

(54) **ACCESSORY FOR HAIRDRYERS**
(71) Applicant: **Dyson Technology Limited**, Wiltshire (GB)
(72) Inventors: **Antoine Francois Atkinson**, Swindon (GB); **Alexander Stuart Knox**, Swindon (GB); **Andrea Ee-Va Lim**, Bristol (GB); **Adam James Bates**, Oxford (GB)
(73) Assignee: **Dyson Technology Limited**, Malmesbury, Wiltshire (GB)

(**) Term: **15 Years**
(21) Appl. No.: **29/641,544**
(22) Filed: **Mar. 22, 2018**

(30) **Foreign Application Priority Data**

Sep. 25, 2017 (EM) 004371185-0001

(51) **LOC (12) Cl.** **28-03**

(52) **U.S. Cl.**
USPC **D28/19**

(58) **Field of Classification Search**
USPC D28/12-19
CPC A45D 20/10; A45D 12/122; A45D 12/124
See application file for complete search history.

(56) **References Cited**

U.S. PATENT DOCUMENTS

3,837,581 A * 9/1974 Orsoff A45D 20/122
239/135
5,488,783 A * 2/1996 Parkinson A45D 20/122
34/283

5,671,321 A * 9/1997 Bagnuolo A45D 20/122
34/96
5,857,379 A * 1/1999 Lulofs A45D 20/122
73/73
5,956,863 A * 9/1999 Allen A45D 20/122
34/96
5,966,833 A * 10/1999 Andis A45D 20/122
34/283
9,743,737 B1 * 8/2017 Malbrough A45D 20/122

* cited by examiner

Primary Examiner — Zenia I Bennett

(74) *Attorney, Agent, or Firm* — Morrison & Foerster LLP

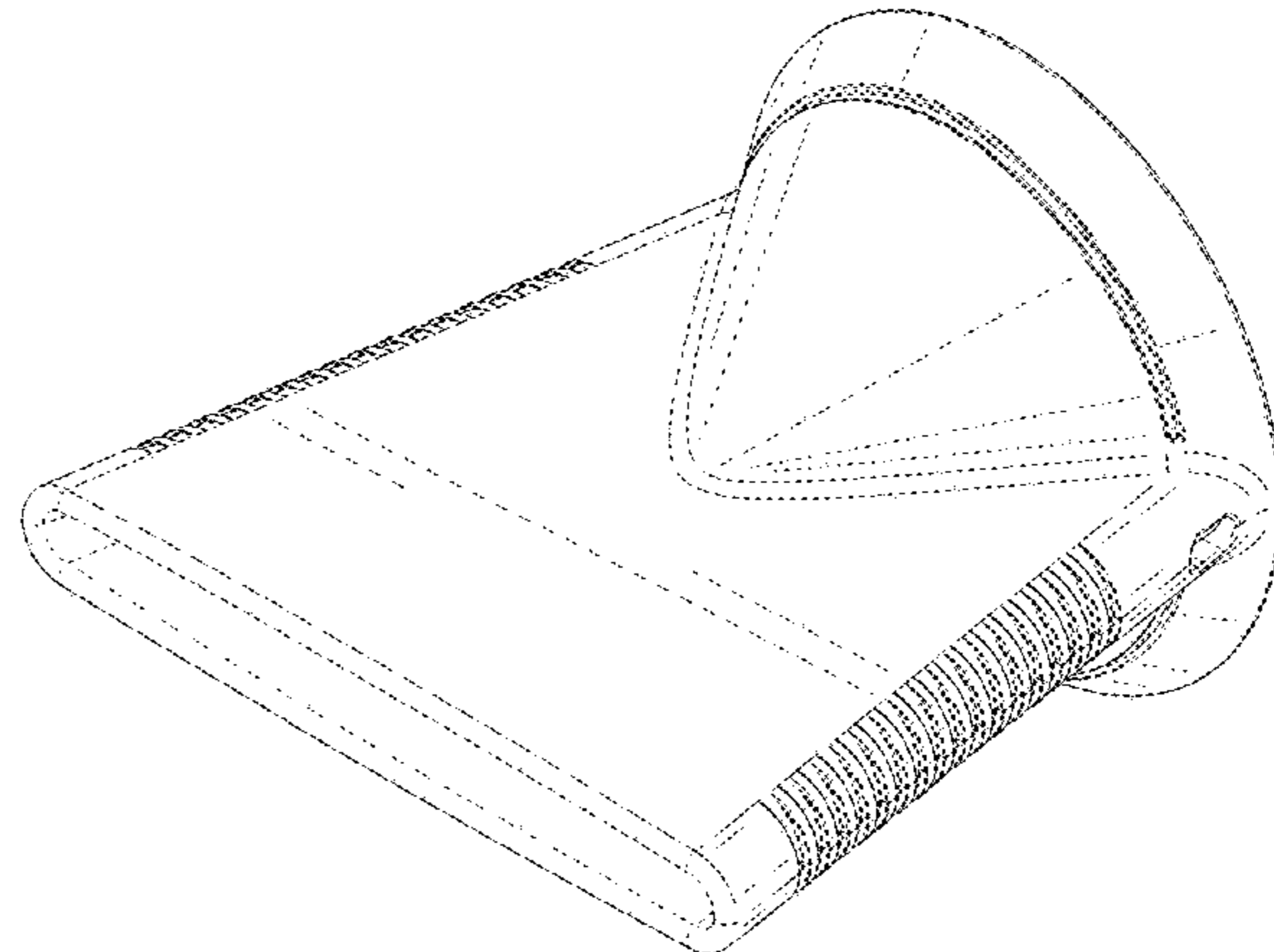
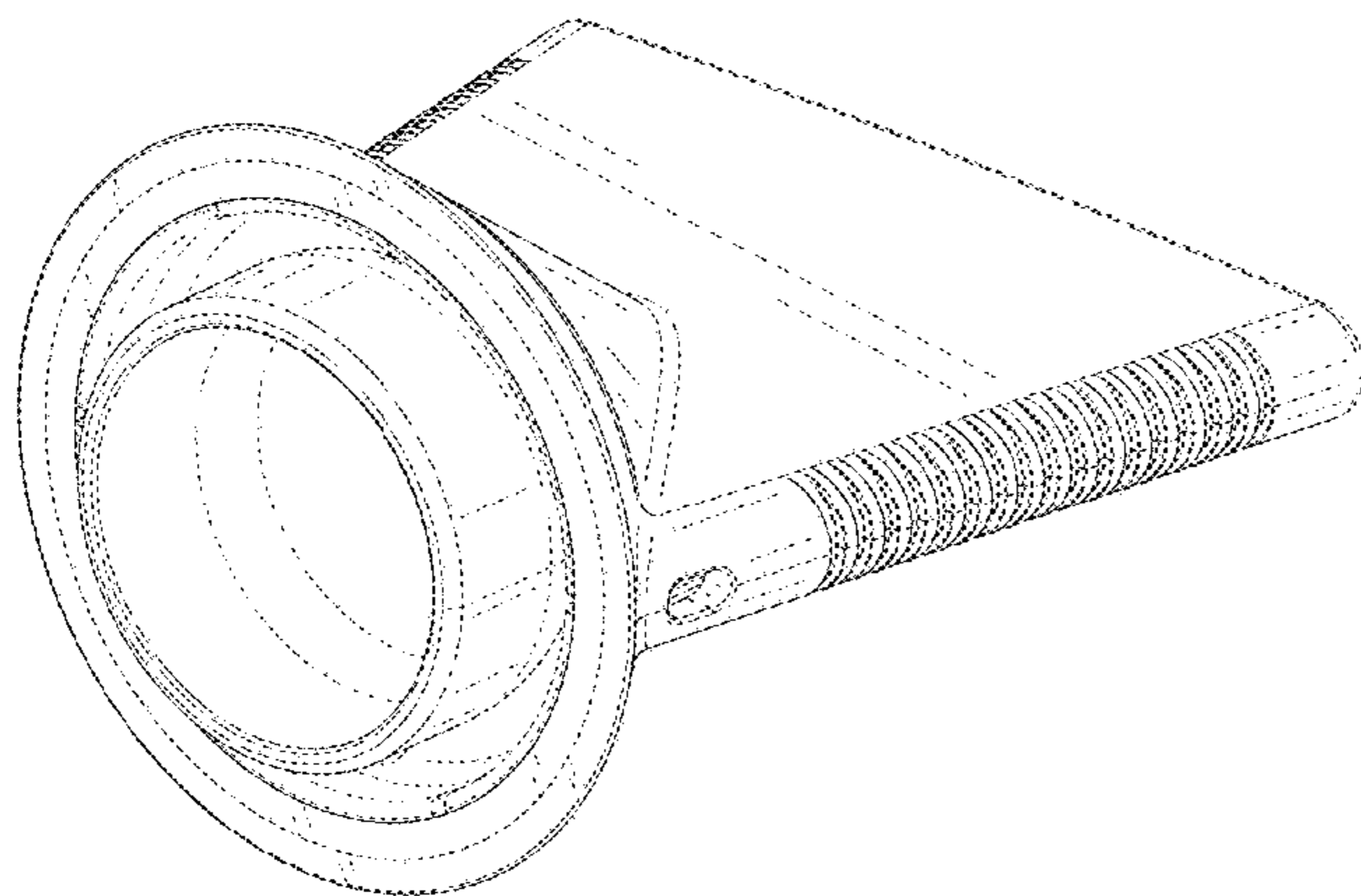
(57) **CLAIM**

We claim the ornamental design for an accessory for hair-dryers, as shown and described.

DESCRIPTION

FIG. 1 is a rear perspective view of an accessory for hairdryers showing our new design;
FIG. 2 is a front perspective view thereof;
FIG. 3 is a top view thereof;
FIG. 4 is a bottom view thereof;
FIG. 5 is a side view thereof;
FIG. 6 is a front view thereof; and,
FIG. 7 is a rear view thereof.
The view opposite the side view of FIG. 5 is a mirror image thereof, and therefore, is omitted.
The broken lines in the drawings illustrate portions of an accessory for hairdryers that form no part of the claimed design.

1 Claim, 7 Drawing Sheets



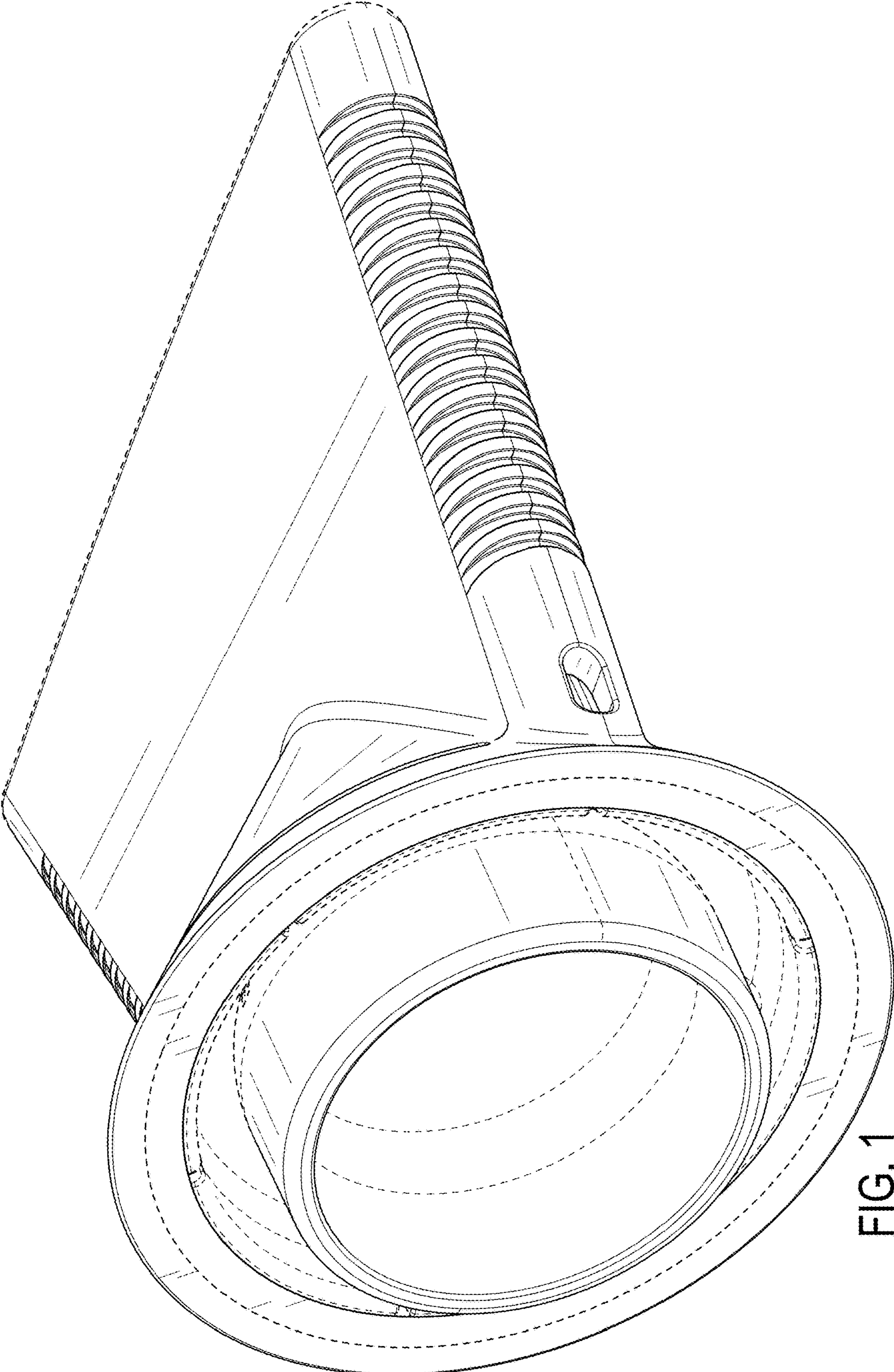


FIG. 1

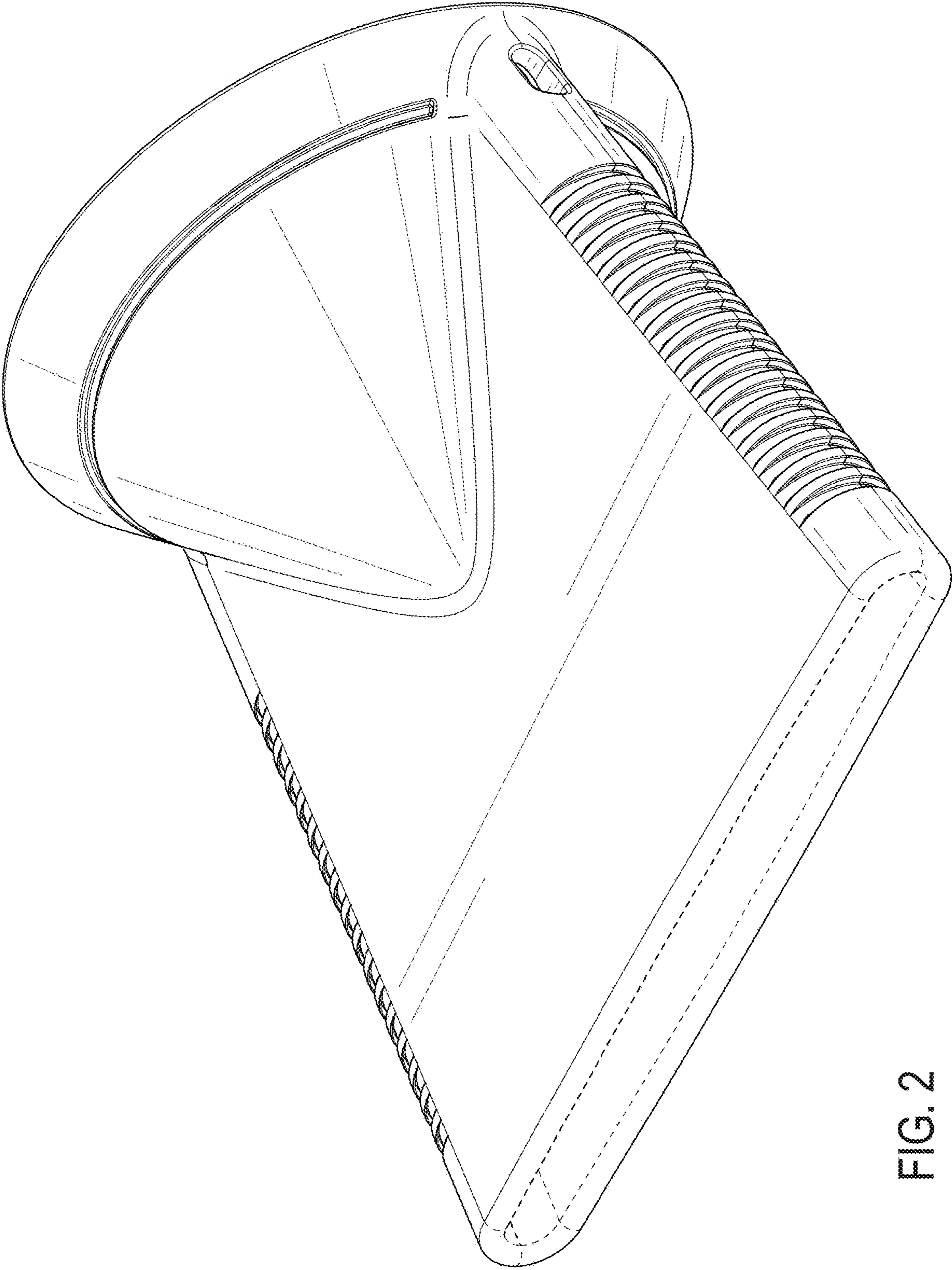


FIG. 2

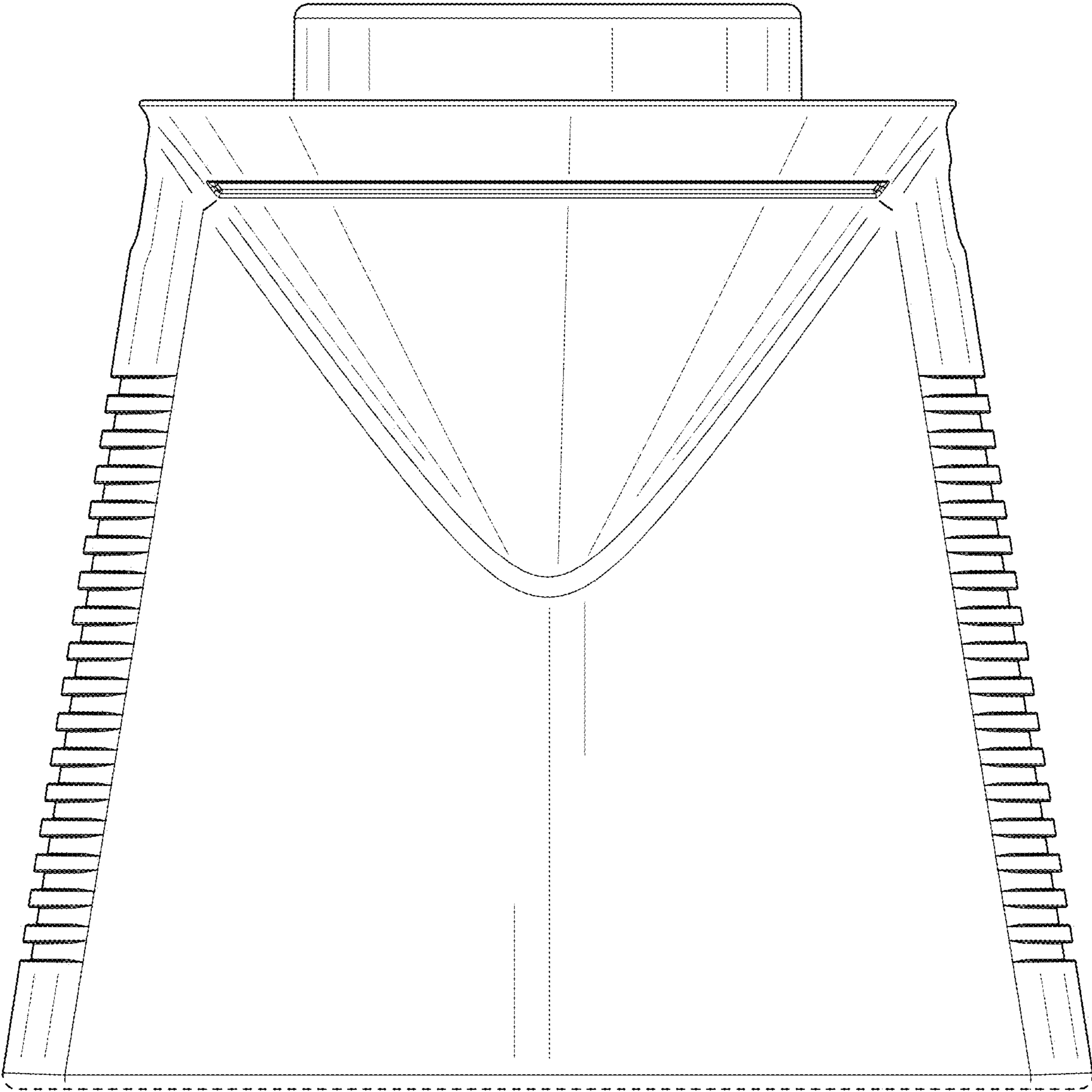


FIG. 3

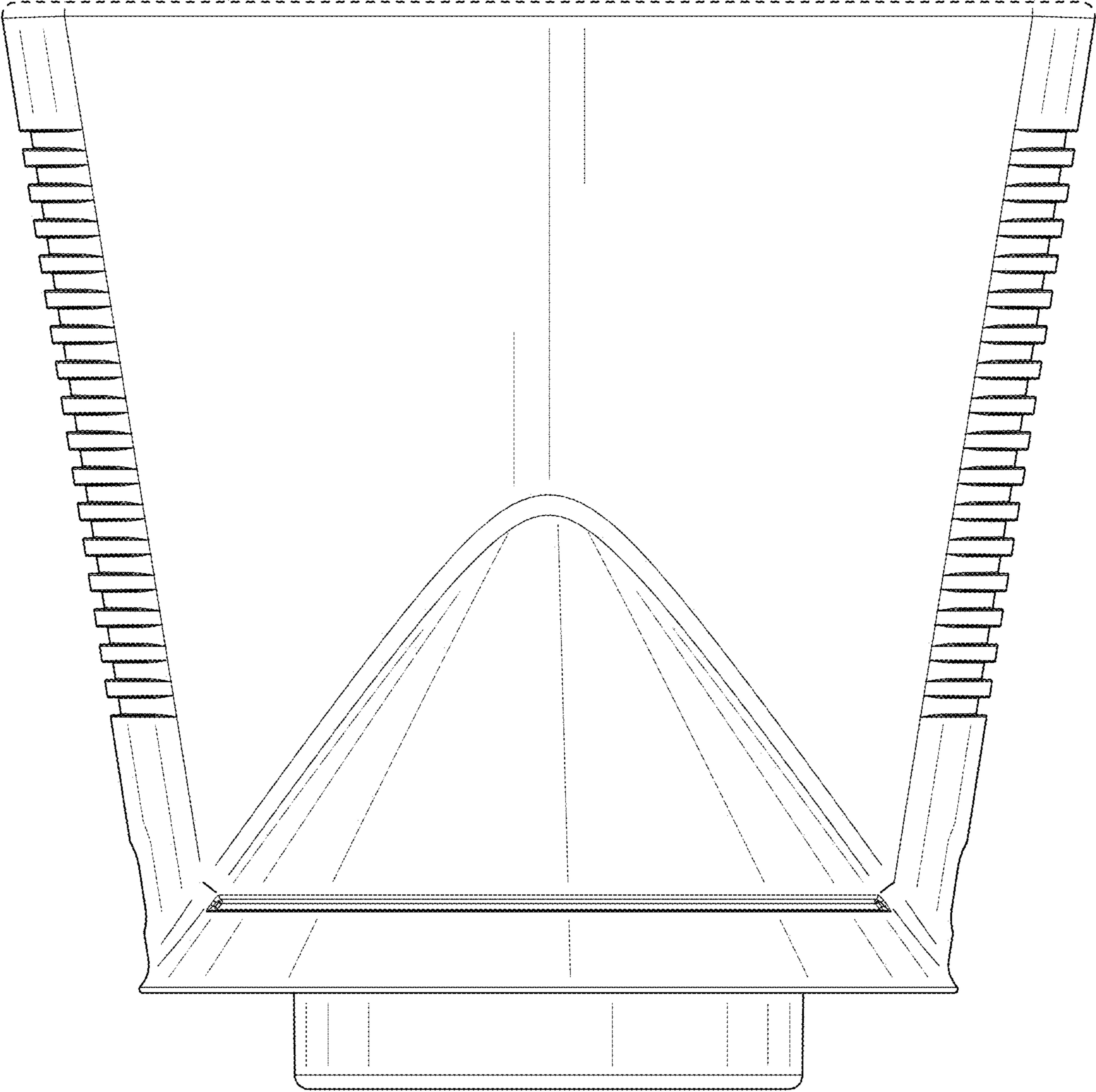


FIG. 4

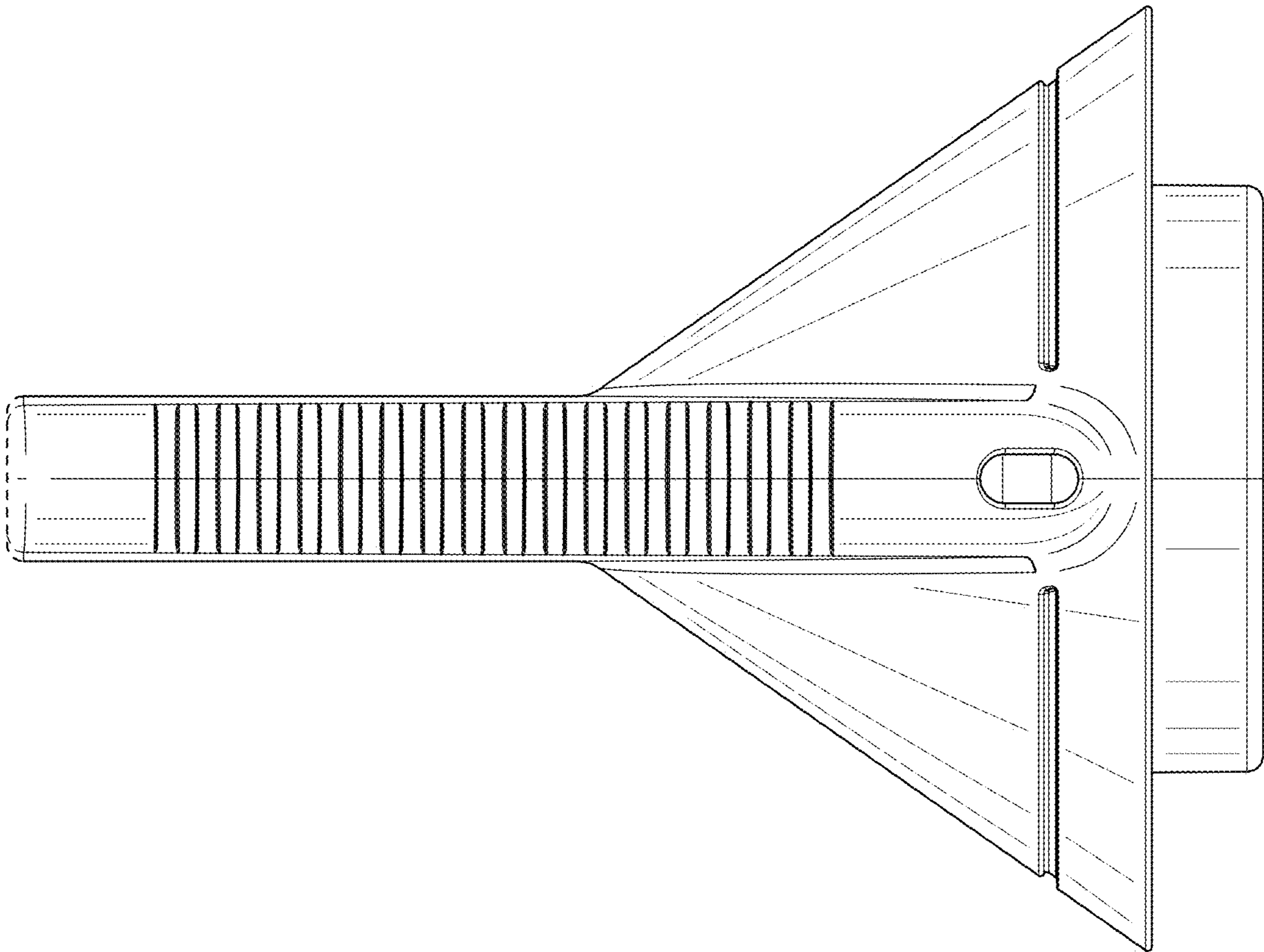


FIG. 5

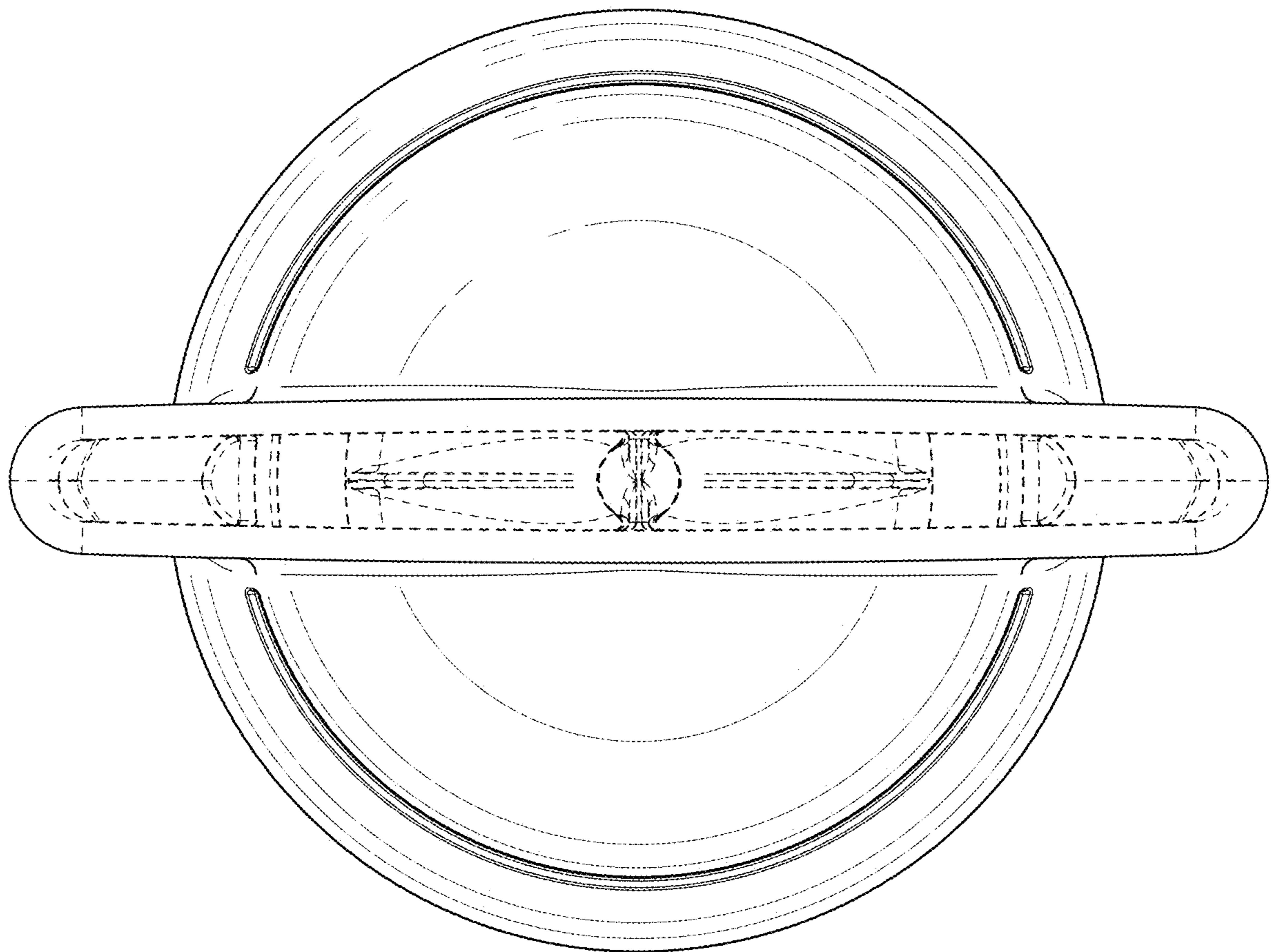


FIG. 6

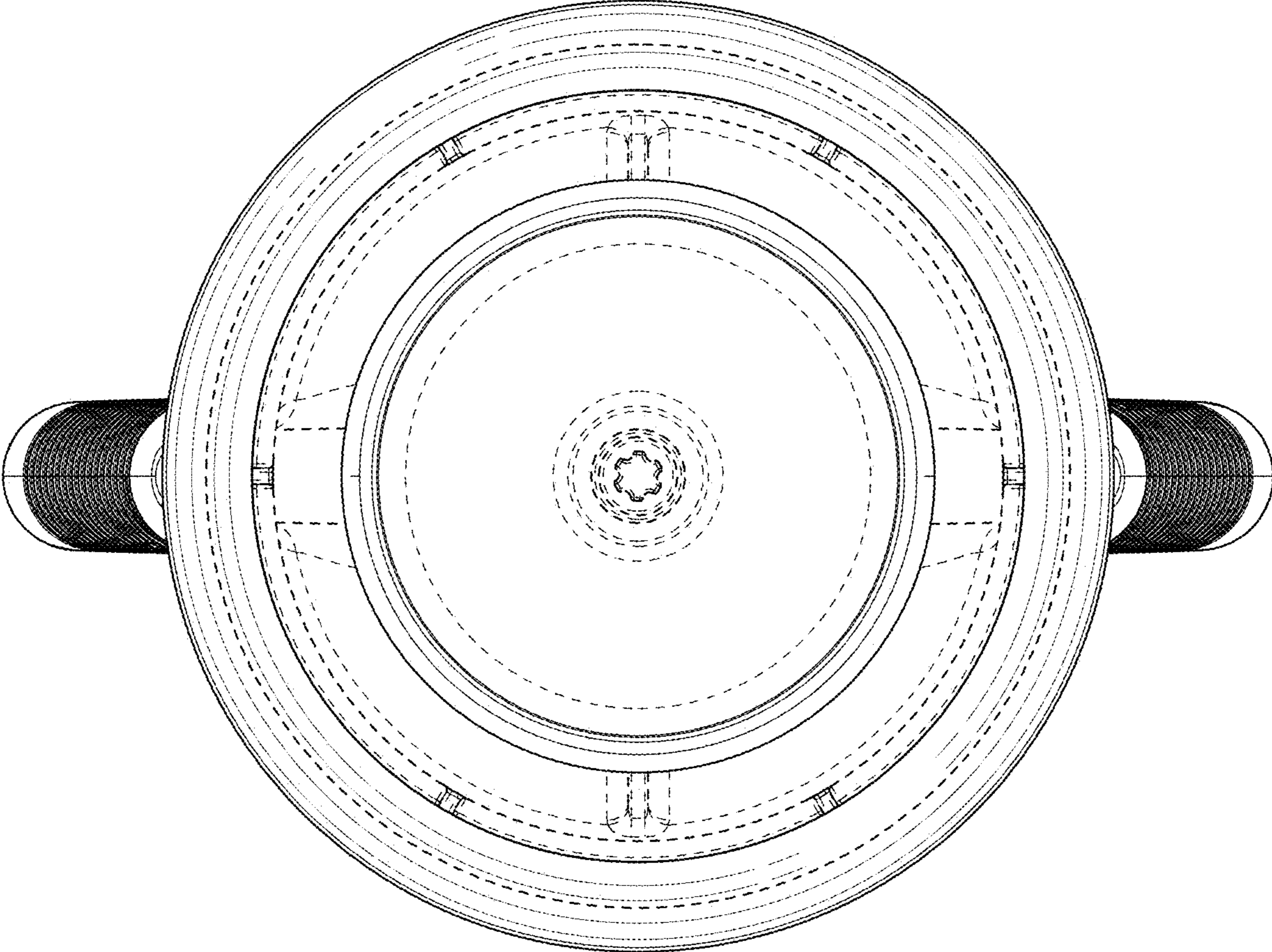


FIG. 7