



US00D869762S

(12) **United States Design Patent** (10) **Patent No.:** **US D869,762 S**  
**Yue** (45) **Date of Patent:** **\*\* \*Dec. 10, 2019**

- (54) **HAIR RING ORNAMENT APPLICATOR**
- (71) Applicant: **Conair Corporation**, Stamford, CT (US)
- (72) Inventor: **Po Kwan Brenda Yue**, Hong Kong (CN)
- (73) Assignee: **Conair Corporation**, Stamford, CT (US)
- (\*) Notice: This patent is subject to a terminal disclaimer.
- (\*\*) Term: **15 Years**
- (21) Appl. No.: **29/600,141**
- (22) Filed: **Apr. 10, 2017**
- (51) **LOC (12) Cl.** ..... **28-03**
- (52) **U.S. Cl.**  
USPC ..... **D28/10**
- (58) **Field of Classification Search**  
USPC ..... D28/9, 10, 7  
CPC ..... A45D 8/00; A45D 2008/002–2008/008;  
A45D 8/34; A45D 8/36; A45D 2002/008;  
A44C 15/006  
See application file for complete search history.

- 5,881,738 A 3/1999 Villani
  - 5,967,151 A 10/1999 Villani
  - 6,016,813 A \* 1/2000 Kennedy ..... A45D 8/34  
132/200
  - 6,035,864 A \* 3/2000 Kennedy ..... A45D 8/34  
132/200
  - D425,241 S \* 5/2000 Nishizawa ..... D28/9
  - D457,265 S \* 5/2002 Gebhard ..... D28/9
- (Continued)

**FOREIGN PATENT DOCUMENTS**

- WO WO-9624264 A1 \* 8/1996 ..... A45D 2/00
- WO WO-2007040288 A1 \* 4/2007 ..... A45D 44/00

*Primary Examiner* — Jennifer Rivard  
(74) *Attorney, Agent, or Firm* — Lawrence Cruz, Esq.;  
Ryan, Mason & Lewis, LLP

(57) **CLAIM**

The ornamental design for a hair ring ornament applicator, as shown and described.

**DESCRIPTION**

FIG. 1 is a perspective view of the hair ring ornament applicator in accordance with the principles of the present disclosure

FIG. 2 is a rear elevation view of the hair ring ornament applicator;

FIG. 3 is a front elevation view of the hair ring ornament applicator;

FIG. 4 is a right side elevation view of the hair ring ornament applicator;

FIG. 5 is a left side elevation view of the hair ring ornament applicator;

FIG. 6 is a top plan view of the hair ring ornament applicator; and,

FIG. 7 is a bottom plan view of the hair ring ornament applicator.

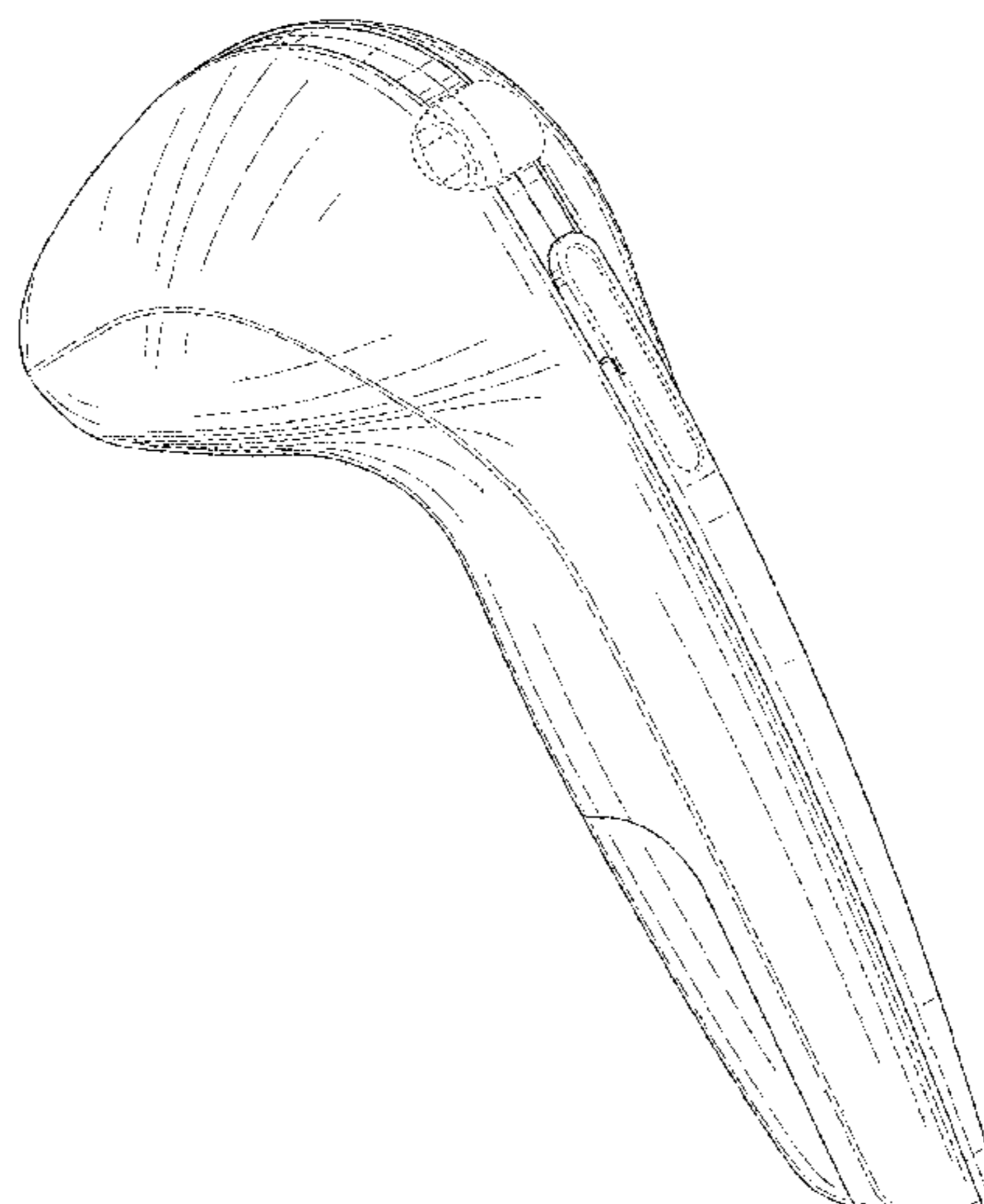
The broken lines illustrate portions of the hair ring ornament applicator and form no part of the claimed design.

**1 Claim, 6 Drawing Sheets**

(56) **References Cited**

**U.S. PATENT DOCUMENTS**

- D263,998 S \* 4/1982 Oberheim ..... D28/10
- 5,456,271 A \* 10/1995 Legette ..... A45D 2/00  
132/200
- 5,558,105 A 9/1996 Rosenwinkel et al.
- 5,664,707 A 9/1997 Spector
- 5,687,751 A \* 11/1997 Villani ..... A45D 8/00  
132/200
- 5,832,938 A \* 11/1998 Ybarra ..... A45D 8/34  
132/210
- 5,881,736 A \* 3/1999 Turner ..... A45D 8/34  
132/200



(56)

**References Cited**

U.S. PATENT DOCUMENTS

6,637,441	B2 *	10/2003	Kennedy .....	A45D 2/00 132/212
D518,234	S	3/2006	Rascoe	
7,124,918	B2	10/2006	Rascoe	
7,156,103	B2	1/2007	Coleman	
D736,462	S *	8/2015	Hendler .....	D28/9
D798,501	S *	9/2017	Tokko .....	A41G 5/0086 D28/10
2005/0076931	A1	4/2005	Fung	
2007/0028942	A1 *	2/2007	Leung .....	A45D 2/00 132/333
2015/0090290	A1 *	4/2015	Longoria .....	A45D 8/34 132/275
2017/0000225	A1 *	1/2017	Cella .....	B44C 1/28

\* cited by examiner

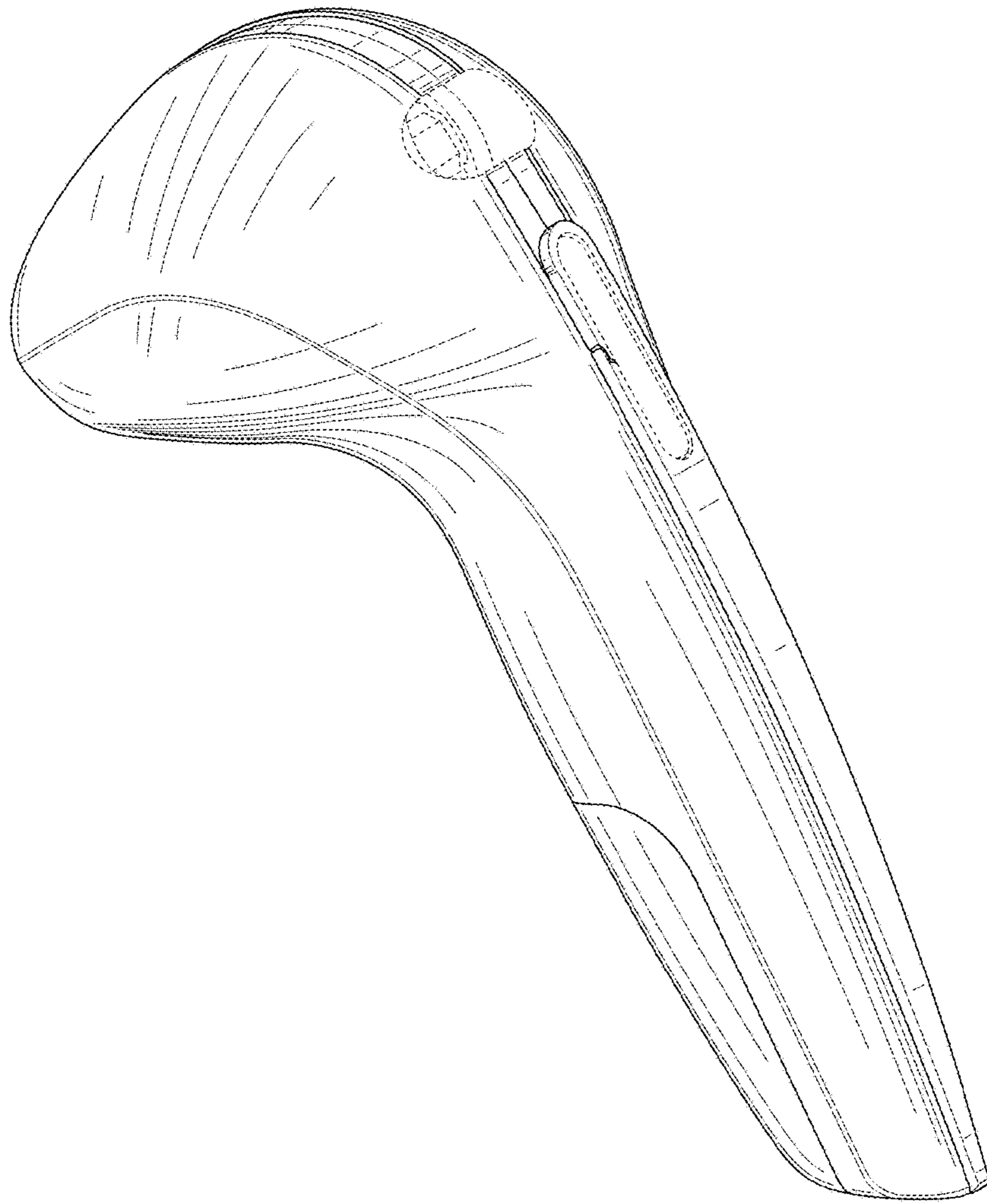


FIG. 1

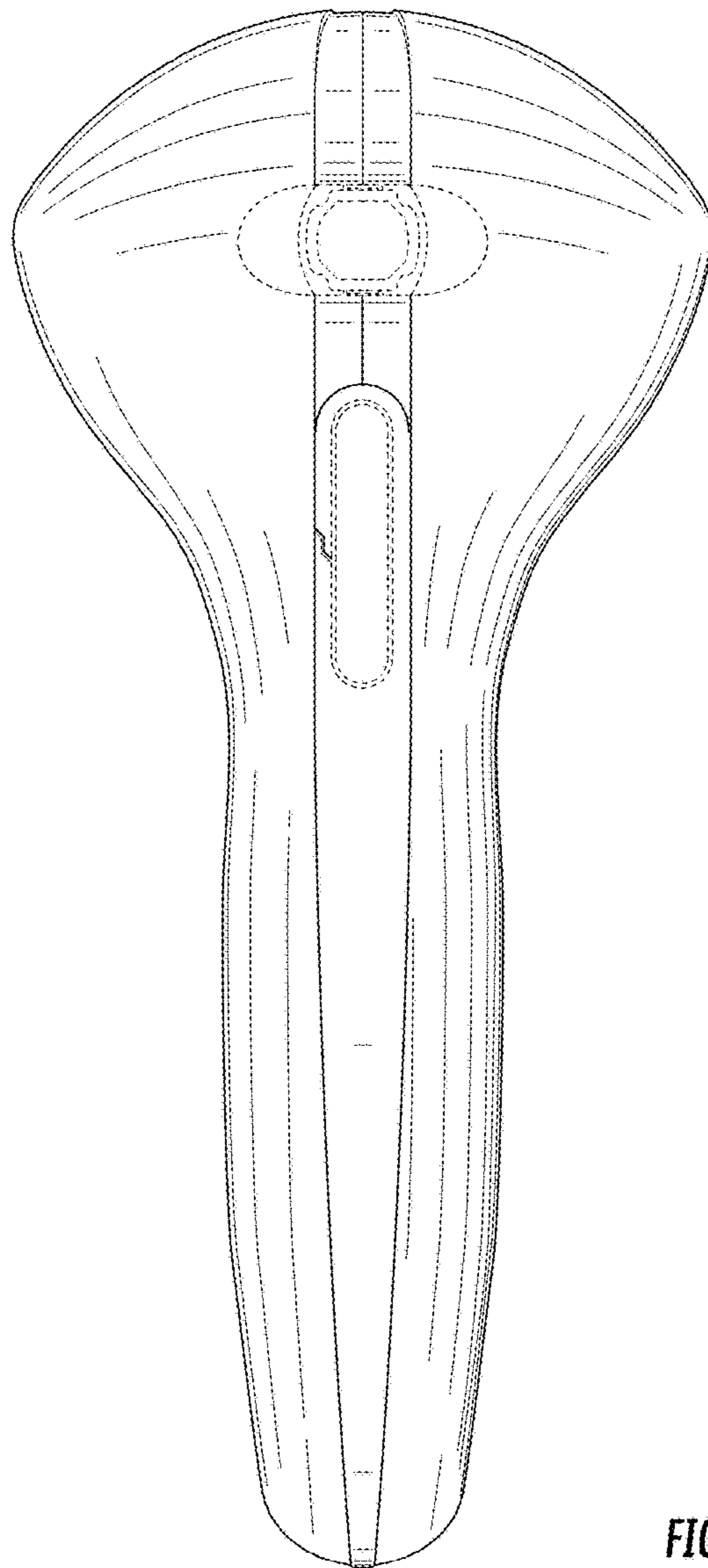


FIG. 2

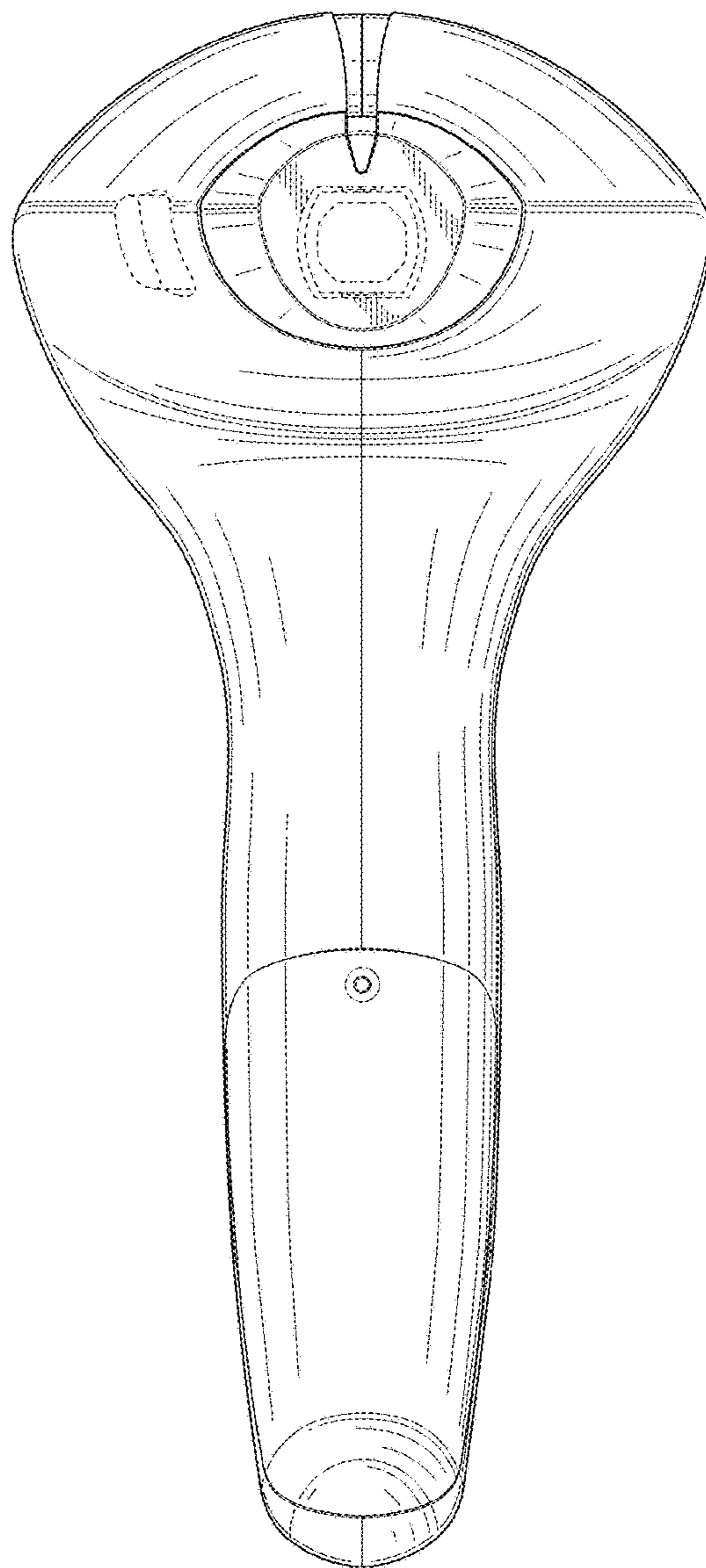


FIG. 3



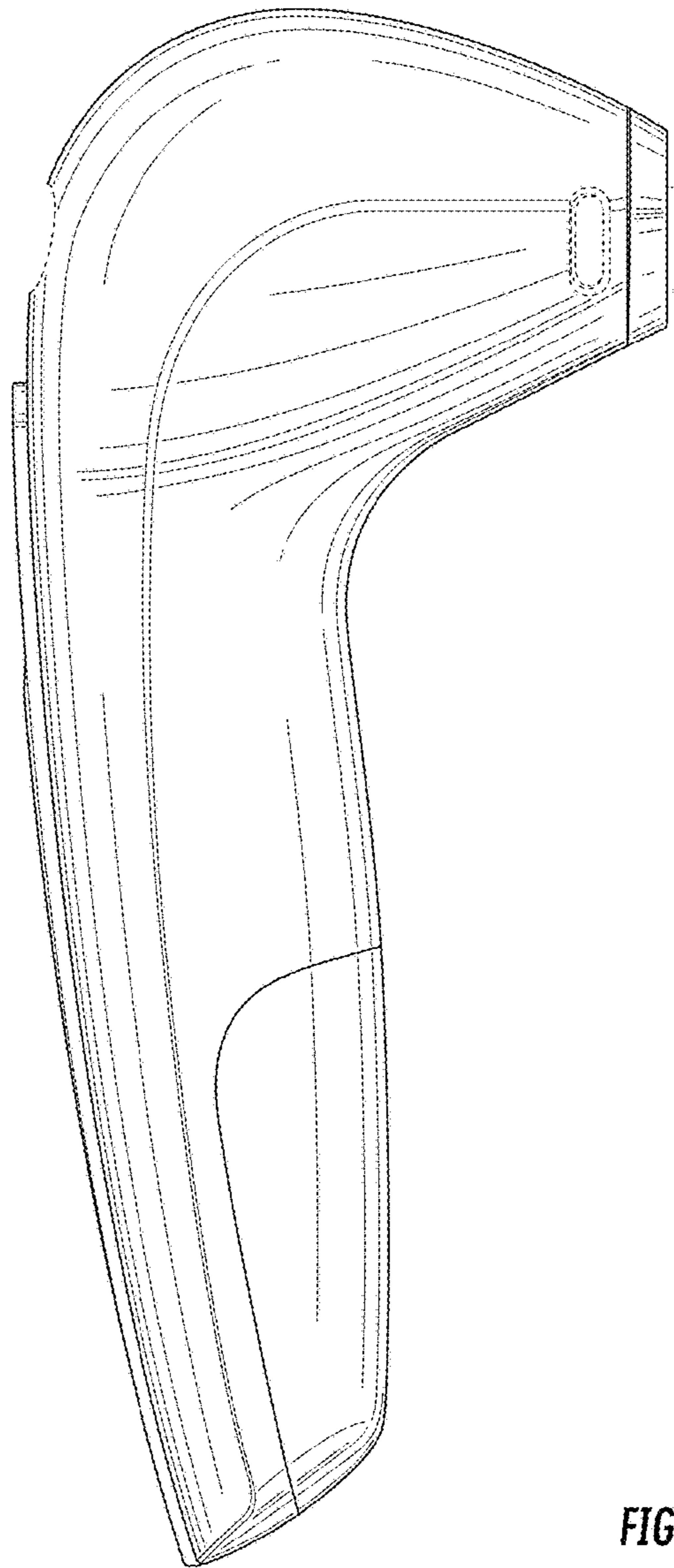


FIG. 4

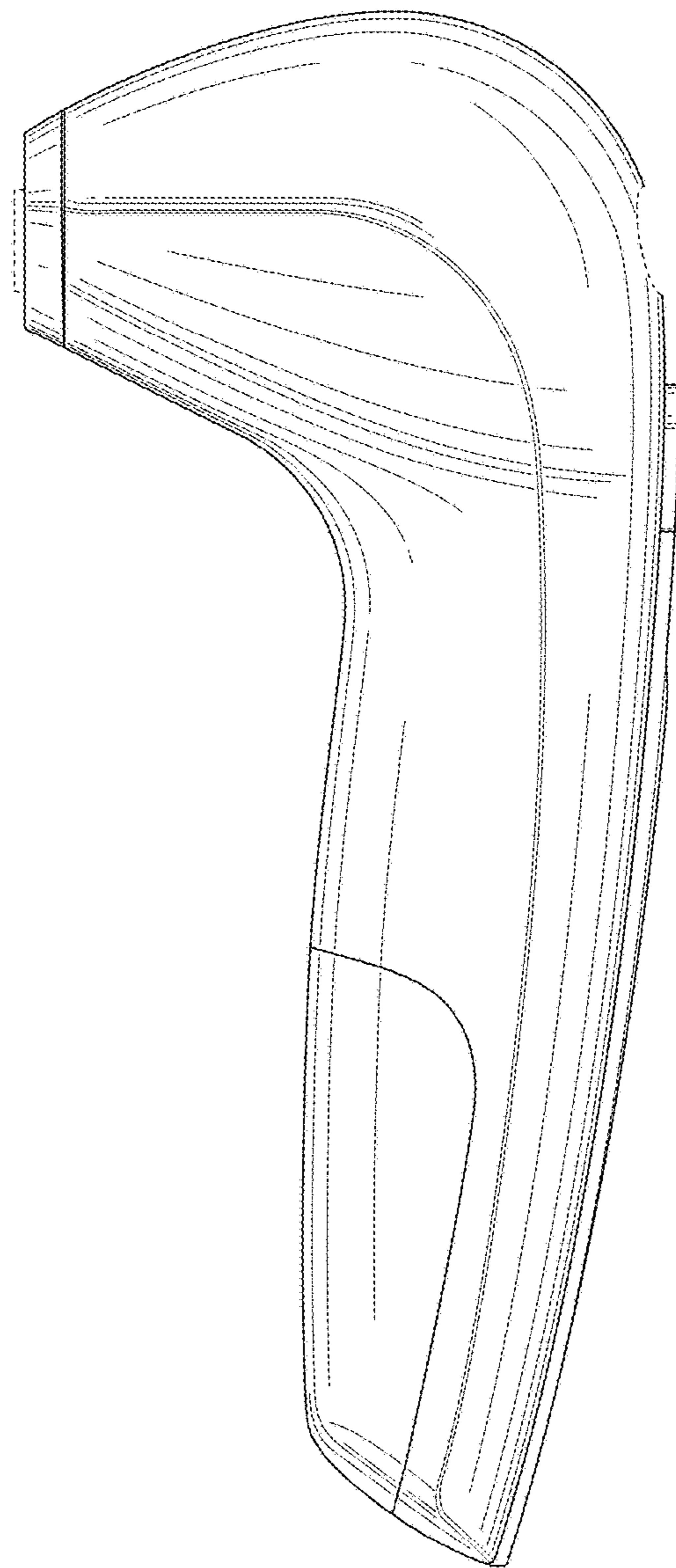


FIG. 5

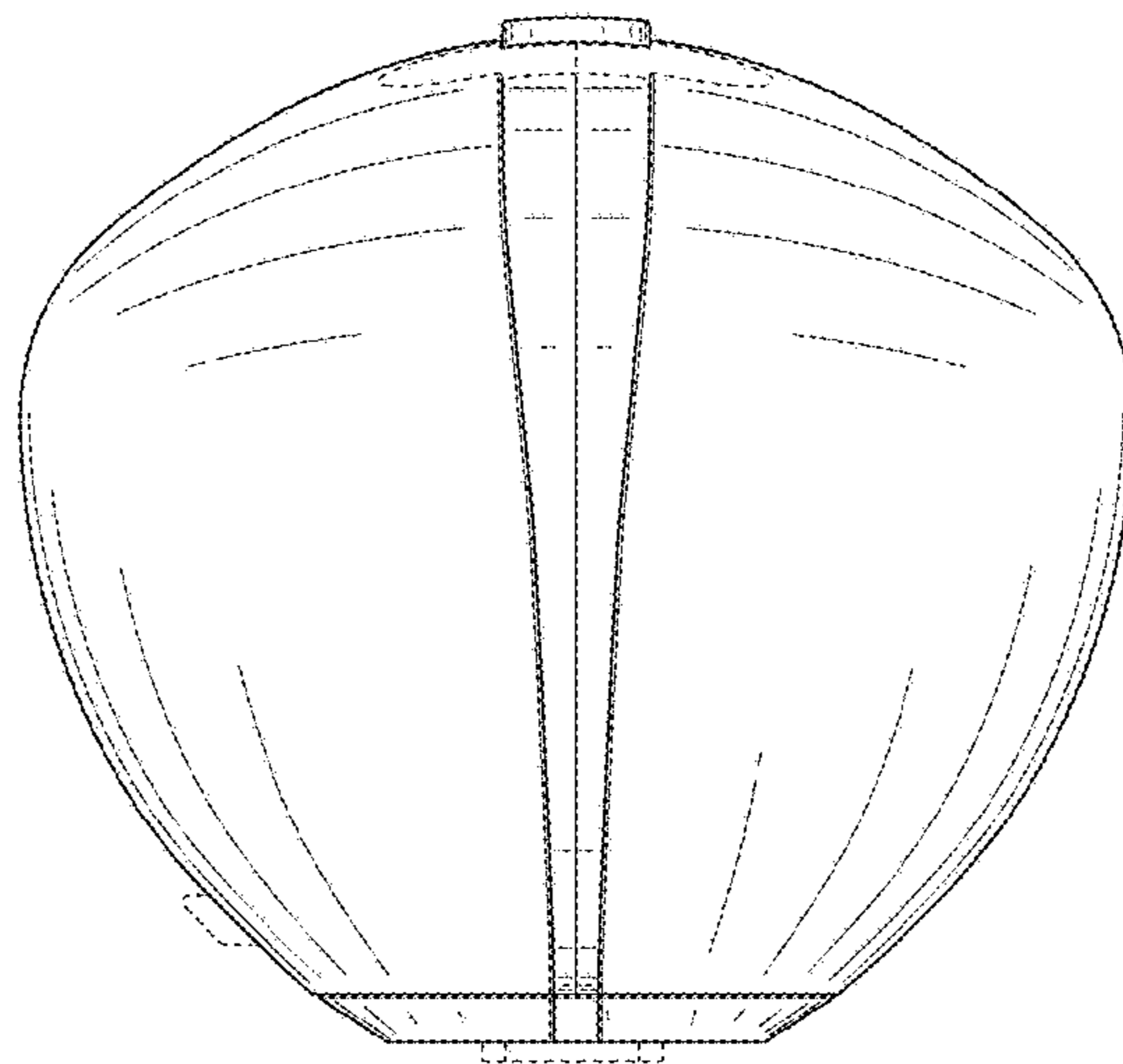


FIG. 6

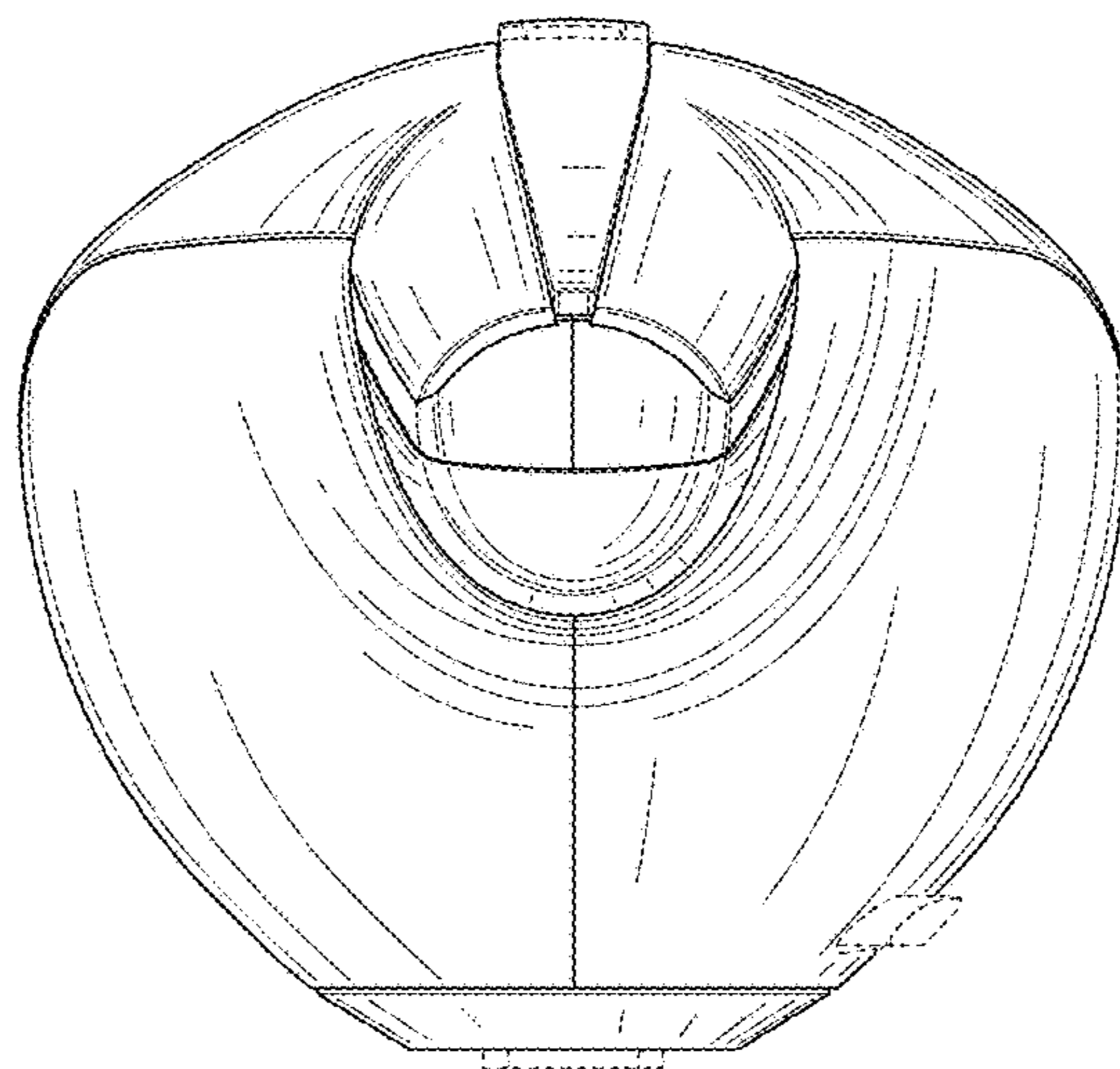


FIG. 7