



US00D869761S

(12) **United States Design Patent**
Johnson

(10) **Patent No.:** **US D869,761 S**

(45) **Date of Patent:** **** Dec. 10, 2019**

(54) **MAKE-UP DECALS**

(71) Applicant: **Paula Johnson**, Atlanta, GA (US)

(72) Inventor: **Paula Johnson**, Atlanta, GA (US)

(**) Term: **15 Years**

(21) Appl. No.: **29/647,626**

(22) Filed: **May 15, 2018**

(51) **LOC (12) Cl.** **28-02**

(52) **U.S. Cl.**
USPC **D28/7**

(58) **Field of Classification Search**
USPC D28/7, 4, 6, 99; 132/317, 318; 428/40.1
CPC A41G 5/02; A41G 5/00; A45D 2200/00
See application file for complete search history.

(56) **References Cited**

U.S. PATENT DOCUMENTS

3,266,500	A	8/1966	Weld	
3,568,684	A	3/1971	Reece	
3,823,723	A *	7/1974	Miller	A41G 5/02 132/201
5,078,160	A	1/1992	Carbonnier	
5,137,040	A	8/1992	Iosilevich	
D355,489	S *	2/1995	Almond	D24/189
5,860,433	A *	1/1999	Halpern	A45D 40/30 132/216
6,161,554	A *	12/2000	Dunlap-Harris	A45D 40/26 132/216
D440,315	S *	4/2001	Hassenbein	D24/189
6,336,462	B1 *	1/2002	Santelli	A45D 26/0014 132/216
6,530,379	B2 *	3/2003	Iosilevich	A45D 40/30 132/200
D490,932	S *	6/2004	Mammone	D28/7
D519,239	S *	4/2006	Katagiri	D24/189
7,927,680	B2 *	4/2011	Marshall	B44C 1/105 156/244.16
D673,325	S *	12/2012	Martines	D28/4

D699,897	S *	2/2014	Lara	D28/4
D758,007	S *	5/2016	Marchica	D28/7
D765,909	S *	9/2016	Marchica	D28/7
D775,763	S *	1/2017	Marchica	D28/7
D787,116	S	5/2017	Marchica	
D805,128	S *	12/2017	Macias-Abu	D28/7
2010/0242539	A1	9/2010	Maxey	
2015/0366763	A1	12/2015	Barilari	

FOREIGN PATENT DOCUMENTS

WO 8907407 8/1989

* cited by examiner

Primary Examiner — Susan Bennett Hattan

Assistant Examiner — Rebecca Tsehaye

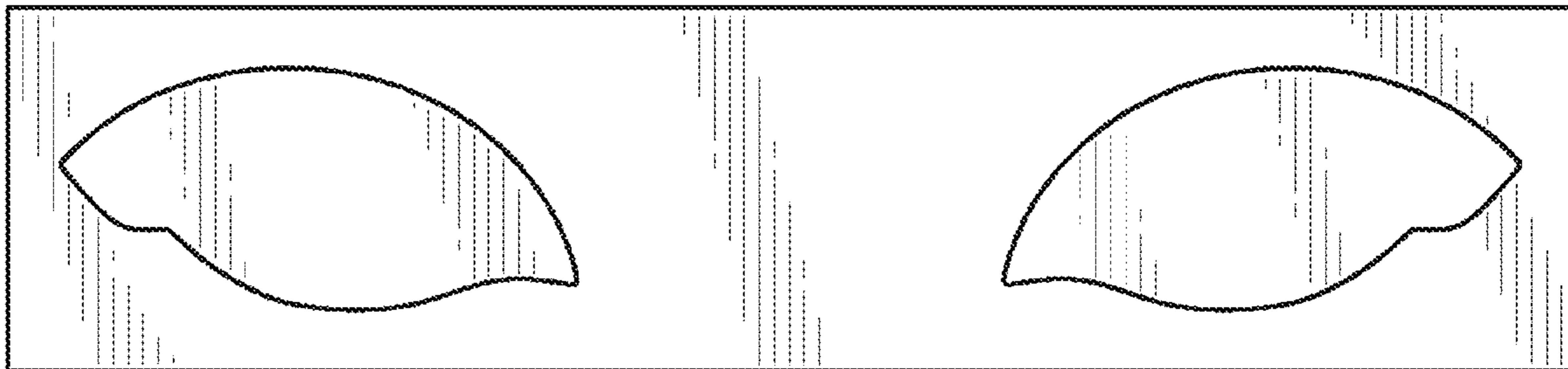
(57) **CLAIM**

I claim the ornamental design for make-up decals, as shown and described.

DESCRIPTION

FIG. 1 is a front view of the make-up decals.
 FIG. 2 is a rear view of the claimed design.
 FIG. 3 is a right side view of the claimed design.
 FIG. 4 is a left side view of the claimed design.
 FIG. 5 is a top view of the claimed design.
 FIG. 6 is a bottom view of the claimed design.
 FIG. 7 is a perspective view of the claimed design.
 FIG. 8 is a perspective view of the claimed design showing the decals exploded from the backing strip. The broken lines appearing on FIG. 8 are for alignment purposes and form no part of the claimed design; and,
 FIG. 9 is a perspective view of the claimed design showing the end user removing the decal from the backing strip of the claimed design. The broken lines appearing on FIG. 9 of a hand are environmental matter forming no part of the claimed design.

1 Claim, 4 Drawing Sheets



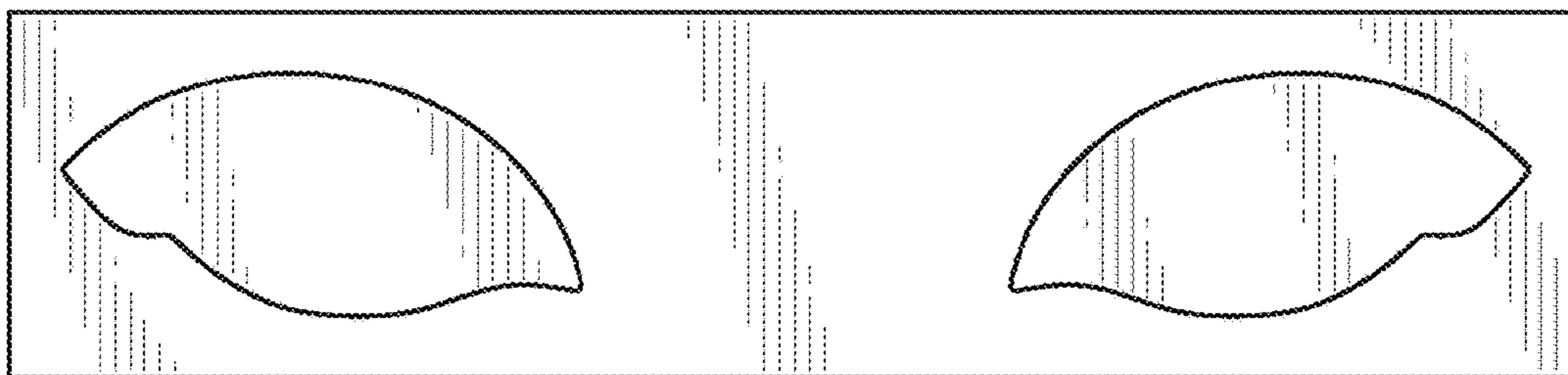


FIG. 1

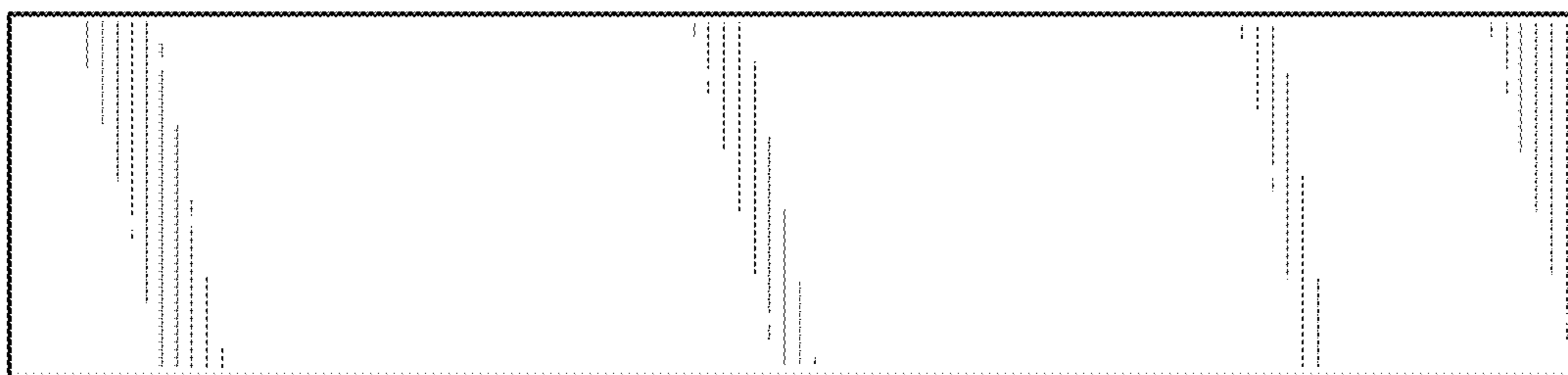


FIG. 2



FIG. 3



FIG. 4

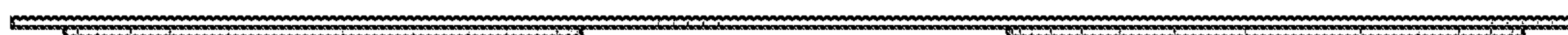


FIG. 5



FIG. 6

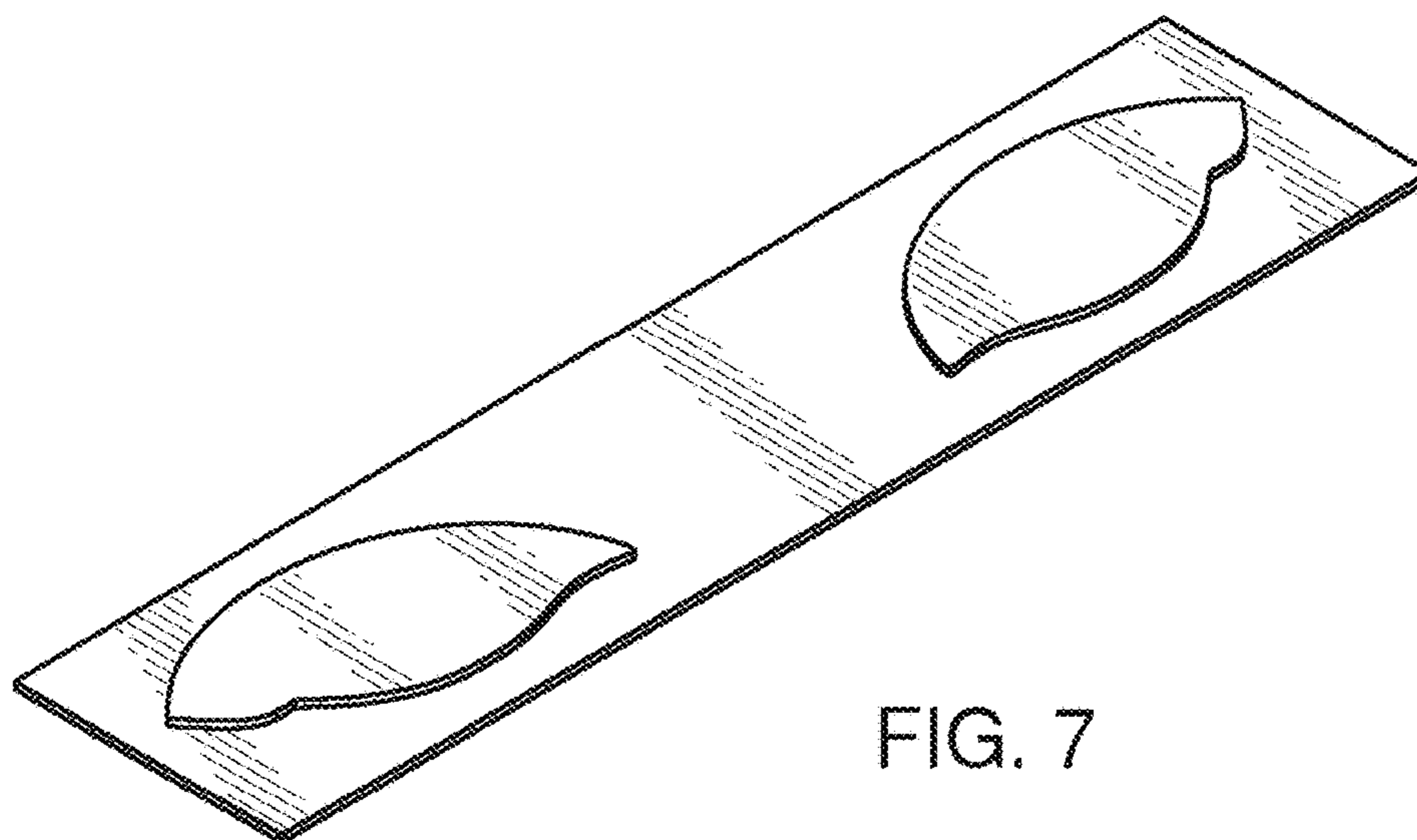


FIG. 7

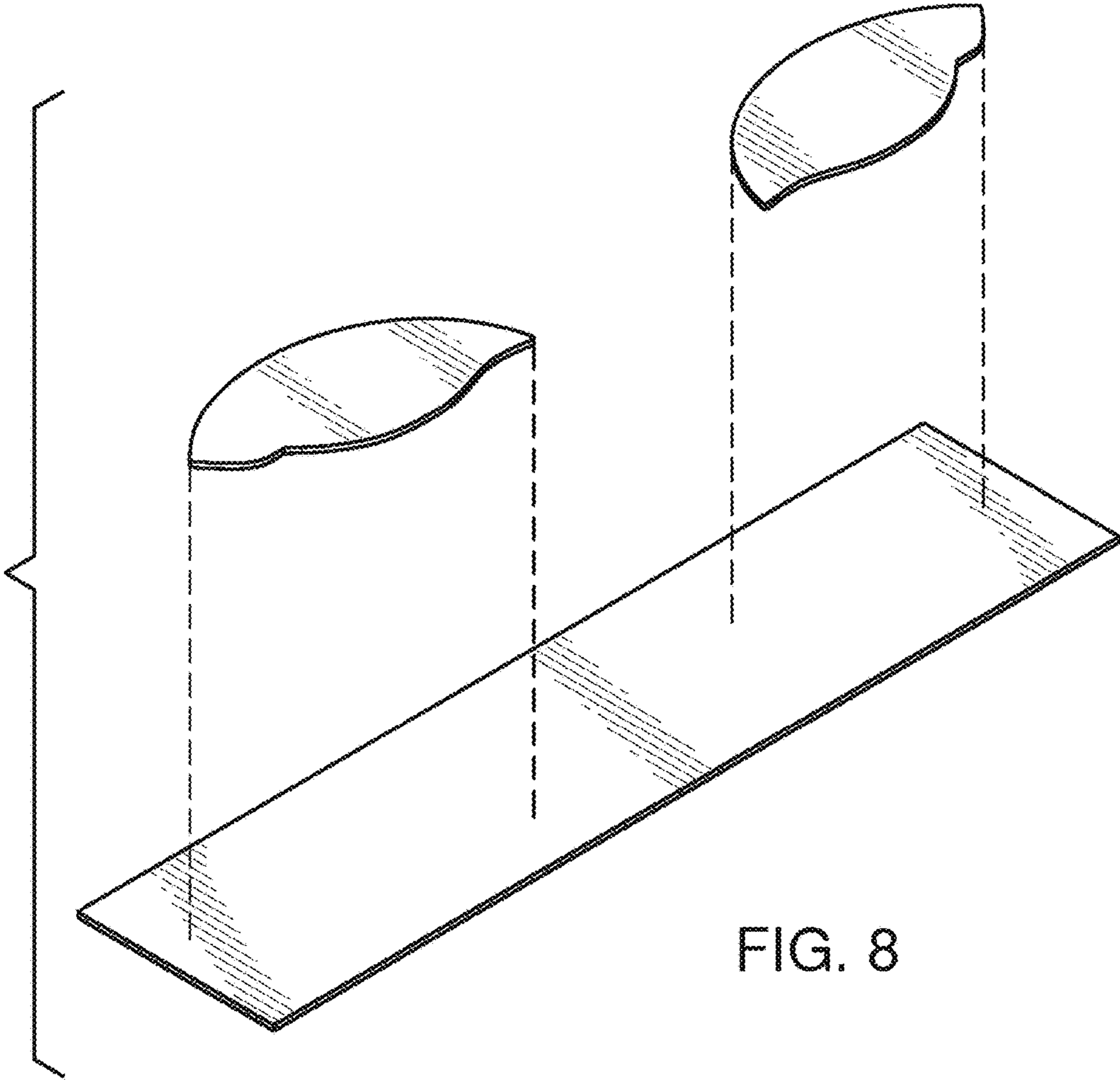


FIG. 8

FIG. 9

