

US00D869756S

(12) **United States Design Patent** (10) **Patent No.:** **US D869,756 S**
Anderson (45) **Date of Patent:** **** Dec. 10, 2019**

(54) **HANDHELD COSMETICS APPLICATOR**

(71) Applicant: **Anderson Cosmetic Supplies Pty Ltd,**
Morphett Vale (AU)

(72) Inventor: **Lenora Anderson,** Paris, KY (US)

(73) Assignee: **Anderson Cosmetic Supplies Pty Ltd.,**
Morphett Vale, South Australia

(**) Term: **15 Years**

(21) Appl. No.: **29/624,593**

(22) Filed: **Nov. 2, 2017**

(30) **Foreign Application Priority Data**

May 26, 2017 (AU) 201713176

(51) **LOC (12) Cl.** **28-02**

(52) **U.S. Cl.**
USPC **D28/7**

(58) **Field of Classification Search**
USPC D28/7, 8, 59, 82; 15/104.93, 104.94,
15/143.1, 244.1, 244.4; 118/264, 269,
118/270, 109, 200

CPC A45D 2200/1018; A45D 2200/10; A45D
2200/1036; A47K 7/03; A47K 7/00
See application file for complete search history.

(56) **References Cited**

U.S. PATENT DOCUMENTS

4,206,574 A * 6/1980 Dotsko B24D 15/00
451/495
D356,408 S * 3/1995 Adolf D28/63
D437,095 S * 1/2001 Osiecki D32/40
D439,715 S * 3/2001 Calvert D32/52
D490,561 S * 5/2004 Angeletta D28/7
D507,075 S * 7/2005 Ames D28/7
D520,678 S * 5/2006 Weggelaar D28/7

D577,871 S * 9/2008 Caserta D32/14.1
D627,531 S * 11/2010 Benson D32/35
D640,850 S * 6/2011 Koenig D32/35
D655,513 S * 3/2012 Neumann A47L 11/33
D4/137
D744,760 S * 12/2015 Harrington D4/138
D765,831 S * 9/2016 Li D24/110
D808,581 S * 1/2018 Weinrich D28/7

OTHER PUBLICATIONS

https://www.google.com/search?q=Handheld+cosmetics+applicator&source=lnms&tbm=isch&sa=X&ved=0ahUKEwiew-uN2d7iAhXJjVkJKHam7AE0Q_AUIESgC&biw=1239&bih=678#imgrc=WgNgcp4E8VpULM:&spf=1560162203116 (Feb. 8, 2019).*

* cited by examiner

Primary Examiner — Susan Bennet Hattan

Assistant Examiner — Rebecca Tsehaye

(74) *Attorney, Agent, or Firm* — Sand, Sebolt & Wernow Co., LPA

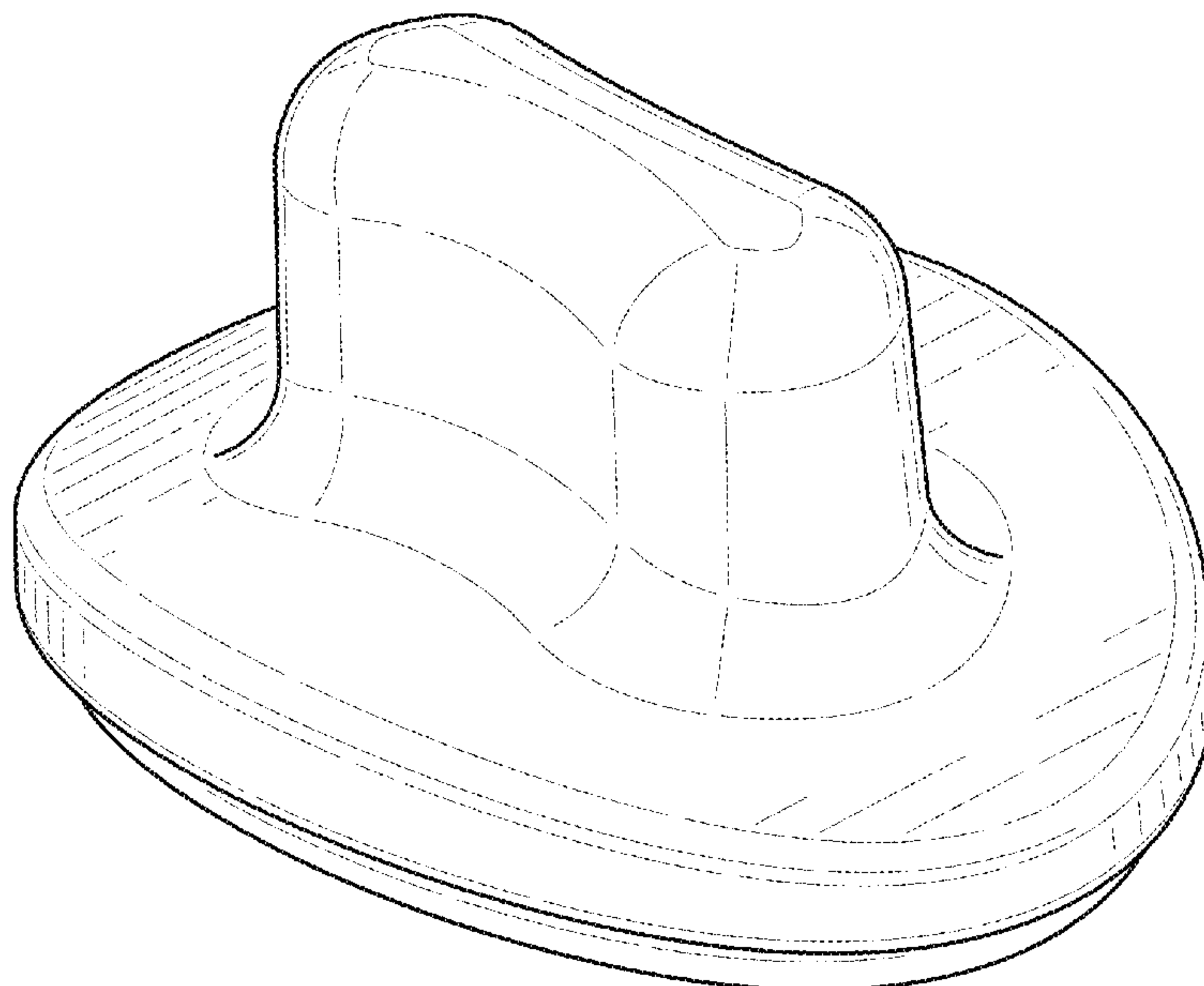
(57) **CLAIM**

The ornamental design for a handheld cosmetics applicator, as shown and described.

DESCRIPTION

FIG. 1 is a top perspective view of a handheld cosmetics applicator in accordance with my design; FIG. 2 is a bottom perspective view thereof; FIG. 3 is a right side elevation view thereof; the unshown left side elevation being a mirror image thereof; FIG. 4 is a front elevation view thereof; FIG. 5 is a top plan view thereof; FIG. 6 is a bottom plan view thereof; and, FIG. 7 is an exploded bottom perspective view thereof.

1 Claim, 5 Drawing Sheets



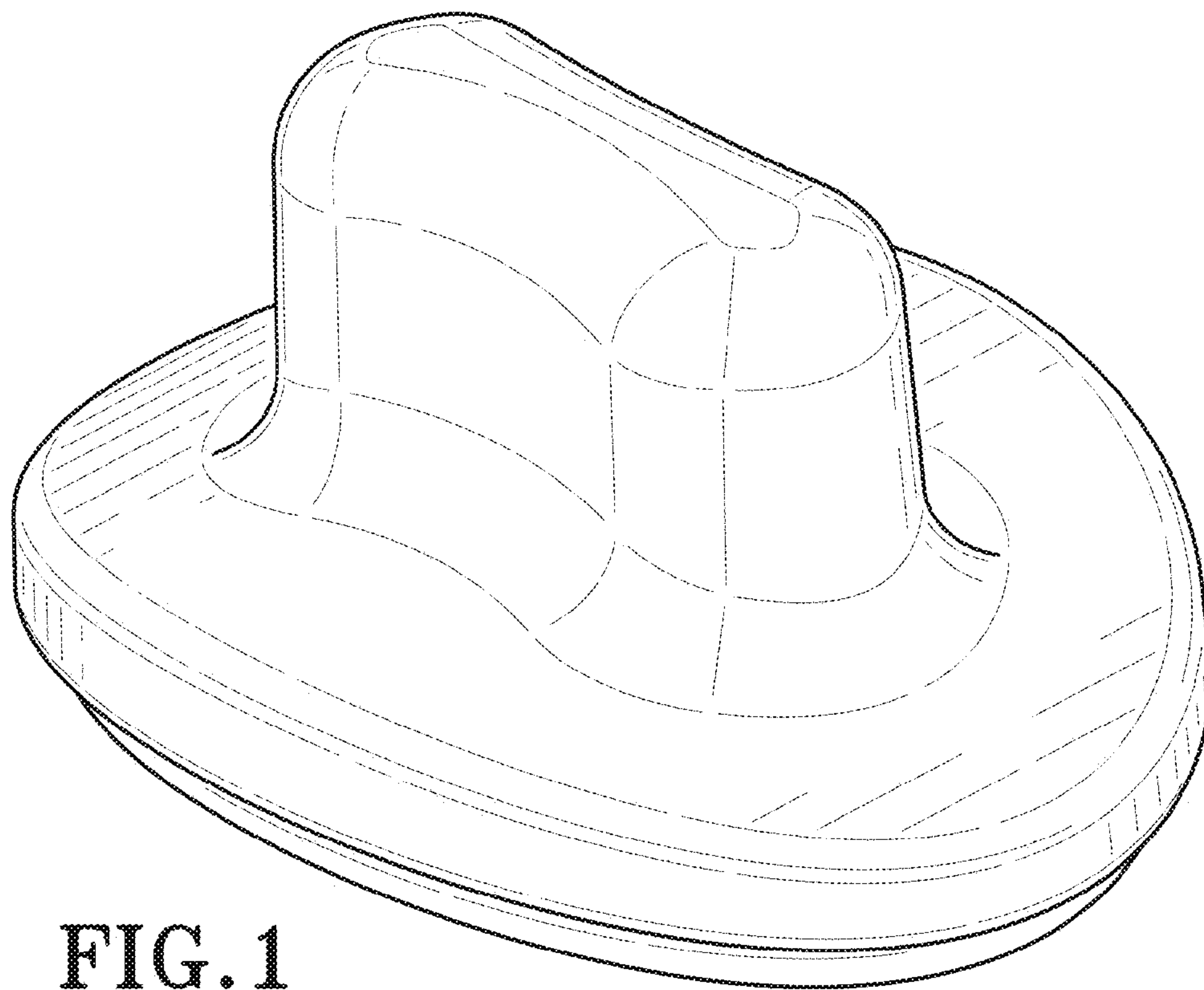


FIG. 1

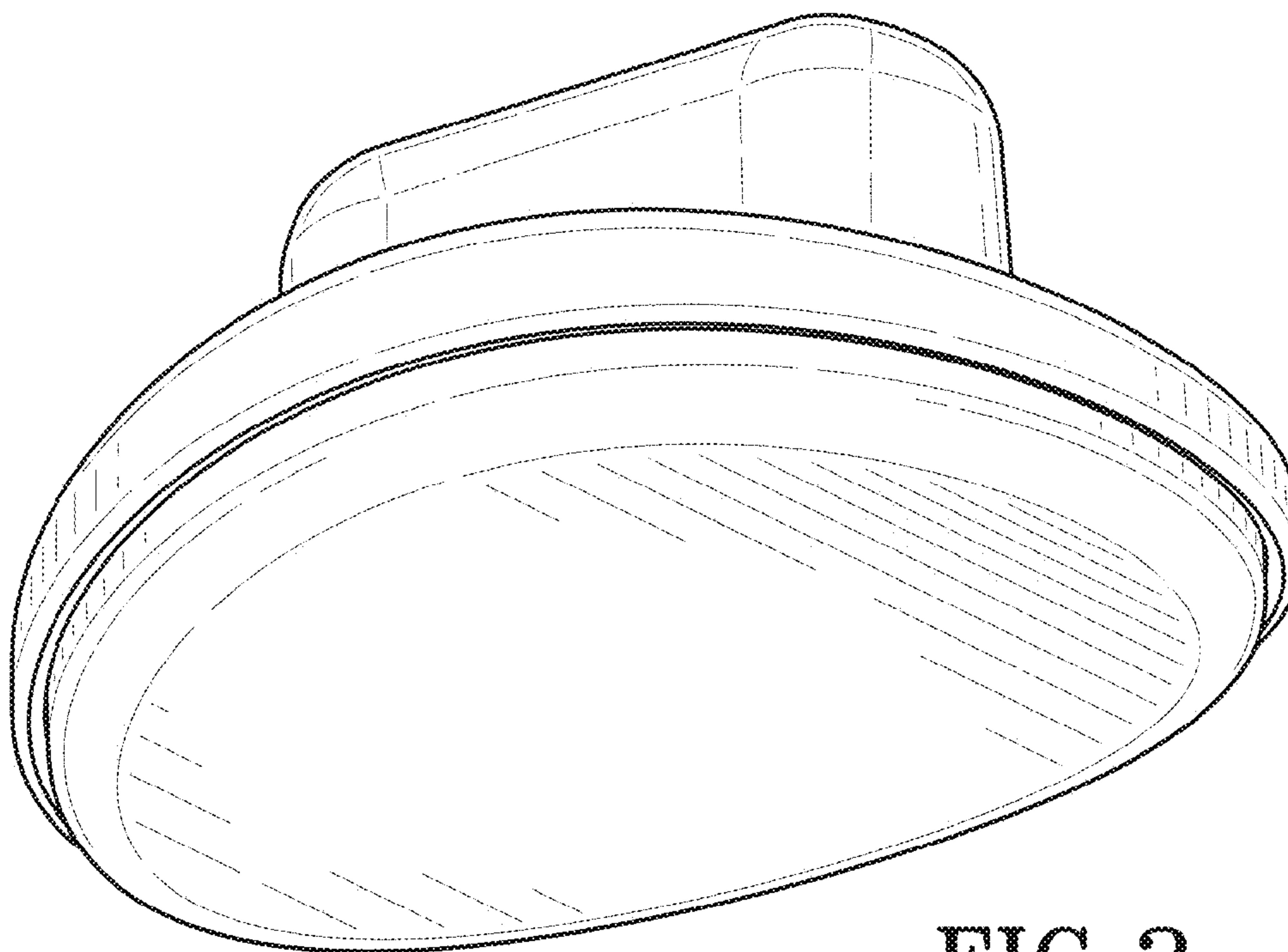


FIG. 2

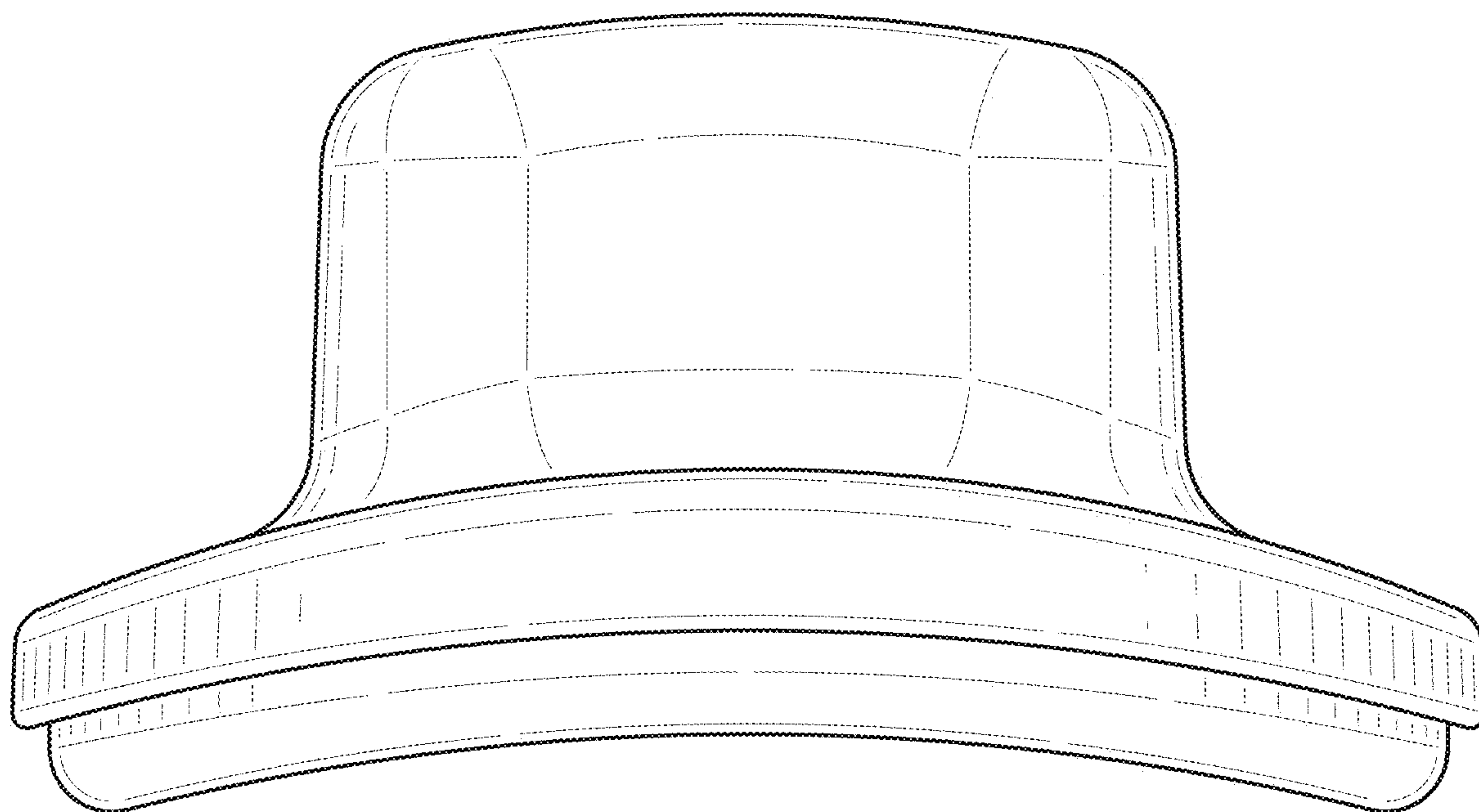


FIG. 3

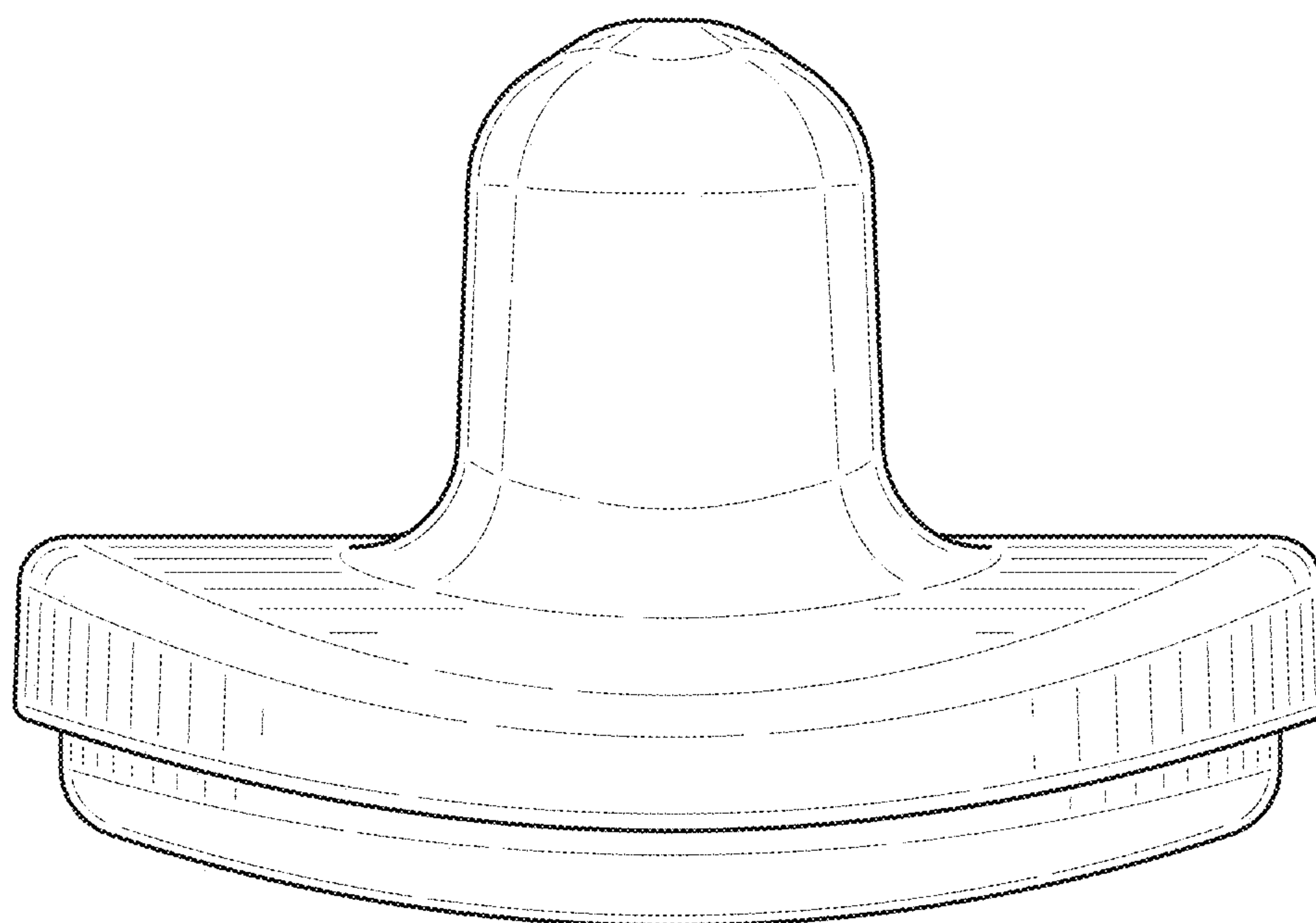


FIG. 4

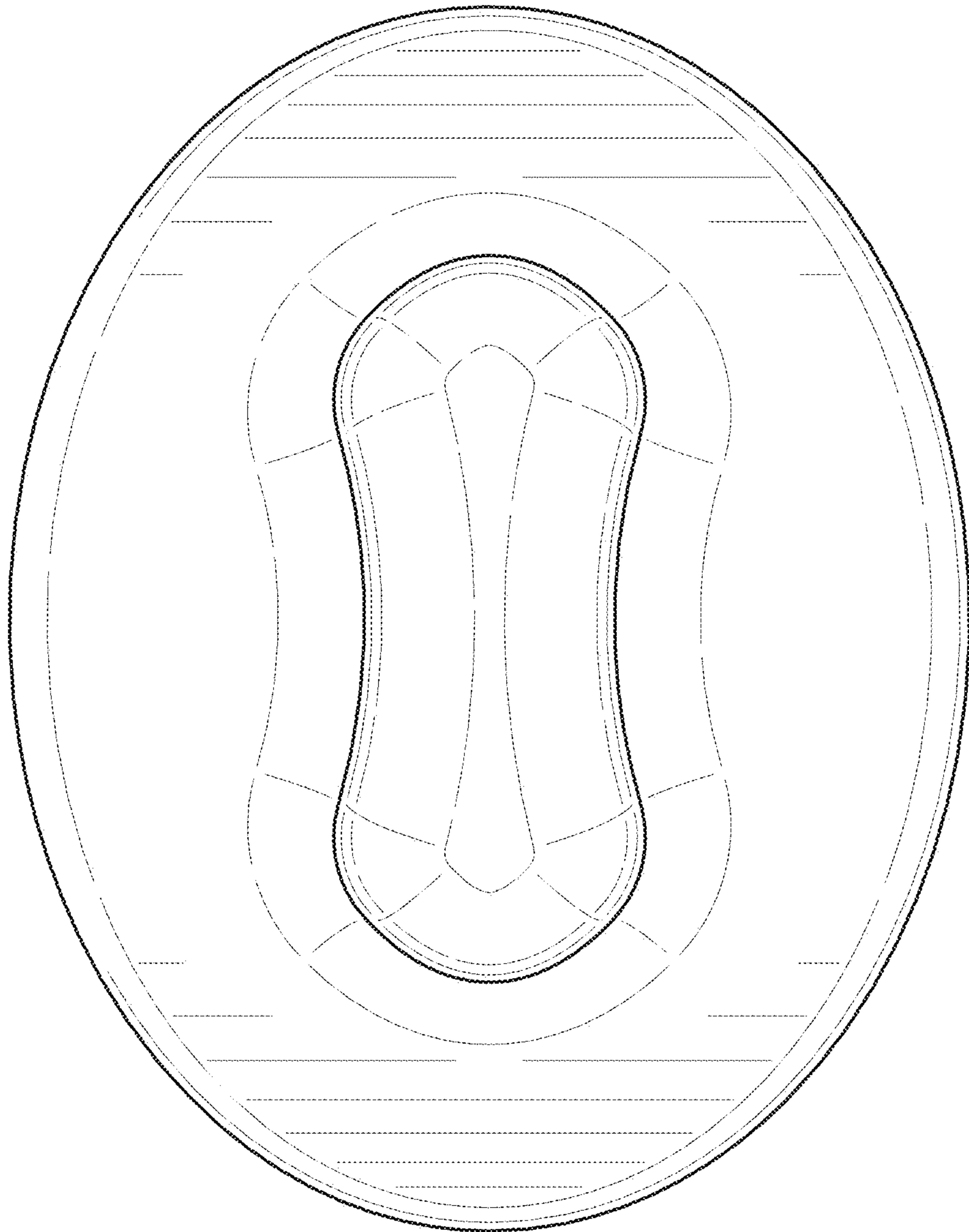


FIG. 5

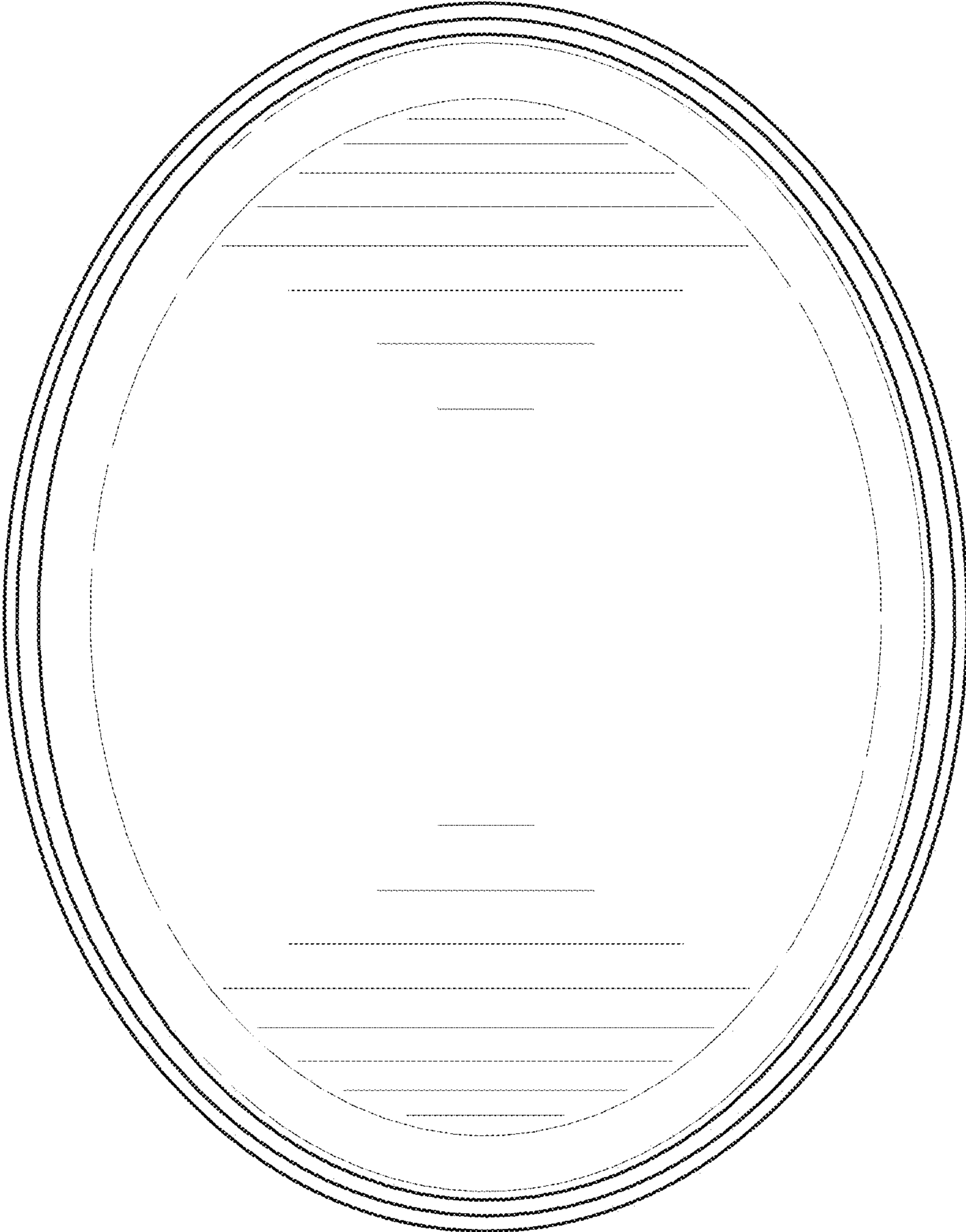


FIG. 6

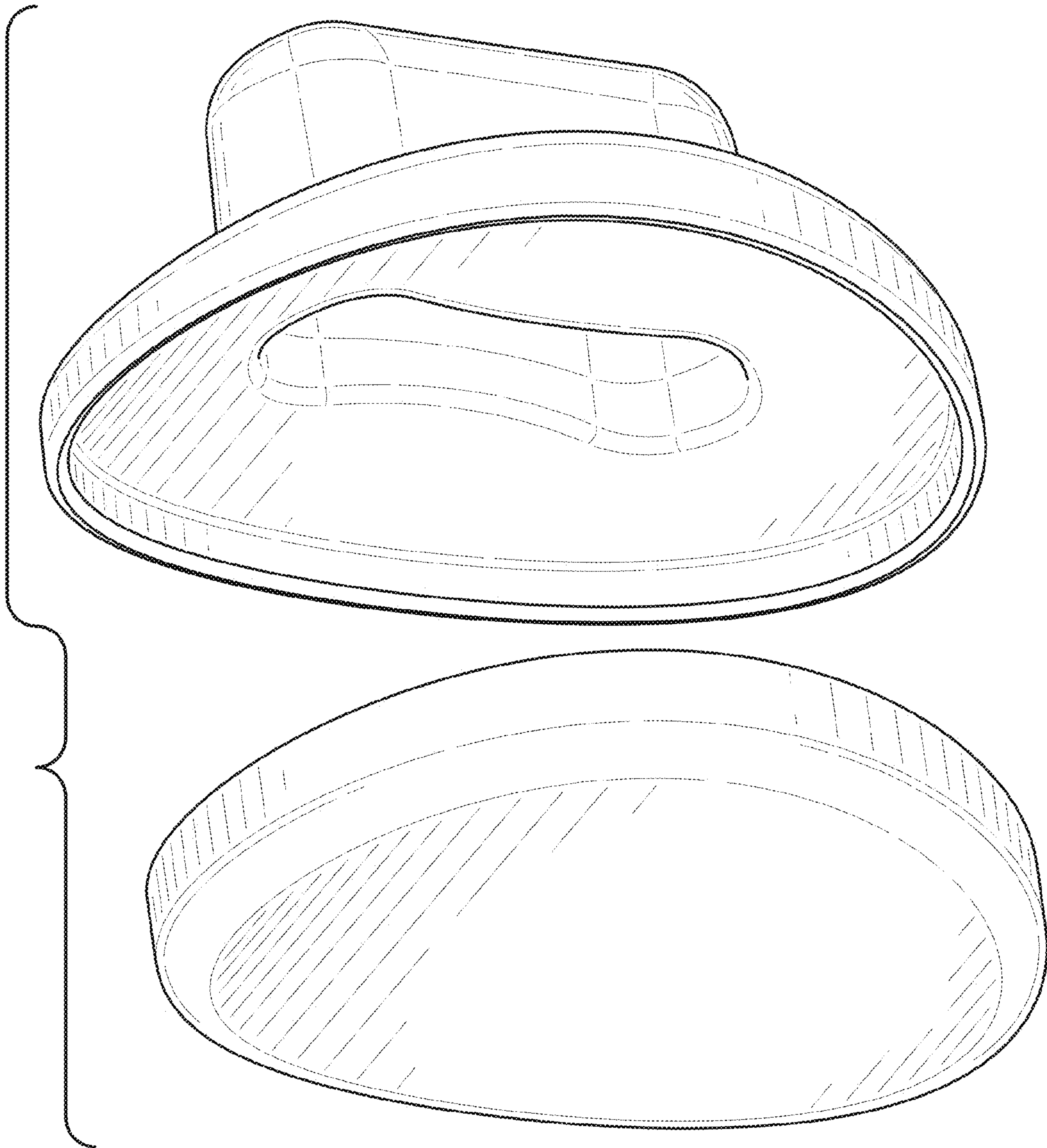


FIG. 7