



US00D869755S

(12) **United States Design Patent** (10) **Patent No.:** **US D869,755 S**  
**Tanaka** (45) **Date of Patent:** **\*\* Dec. 10, 2019**

(54) **COSMETIC APPLICATOR**  
(71) Applicant: **SINWA CORPORATION**, Kanagawa (JP)  
(72) Inventor: **Akihiro Tanaka**, Kanagawa (JP)  
(73) Assignee: **SINWA CORPORATION**, Kanagawa (JP)  
(\*\*) Term: **15 Years**  
(21) Appl. No.: **29/624,590**  
(22) Filed: **Nov. 2, 2017**

8,997,759 B2 \* 4/2015 Wolfsgruber ..... A46B 3/005  
132/218  
9,066,573 B2 \* 6/2015 Pires ..... A45D 40/26  
D733,435 S \* 7/2015 Uresti ..... D4/128  
(Continued)

(30) **Foreign Application Priority Data**  
May 23, 2017 (JP) ..... 2017-010936  
(51) **LOC (12) Cl.** ..... **28-02**  
(52) **U.S. Cl.**  
USPC ..... **D28/7**  
(58) **Field of Classification Search**  
USPC ..... D28/7, 8; D4/128, 129, 131, 136, 138,  
D4/108, 109, 119, 114, 127, 137;  
15/104.5, 104.16, 104.2, 104.31, 104.32,  
15/164, 165, 206, 186-188, 209.1, 210.1;  
401/129, 126; 132/317, 318  
CPC ..... A45D 40/262; A45D 40/26; A46B 9/021;  
A46B 5/005; A46B 17/04; A46B  
2200/1046  
See application file for complete search history.

**OTHER PUBLICATIONS**

[https://www.amazon.com/dp/B074MR854X/ref=sspa\\_dk\\_detail\\_2?pd\\_rd\\_i=B075D3JTWG&th=1](https://www.amazon.com/dp/B074MR854X/ref=sspa_dk_detail_2?pd_rd_i=B075D3JTWG&th=1), Amazon: Feb. 9, 2018.\*

*Primary Examiner* — Susan Bennett Hattan  
*Assistant Examiner* — Rebecca Tsehaye  
(74) *Attorney, Agent, or Firm* — Roberts Mlotkowski  
Safran Cole & Calderon P.C.

(57) **CLAIM**

The ornamental design for a cosmetic applicator, as shown and described.

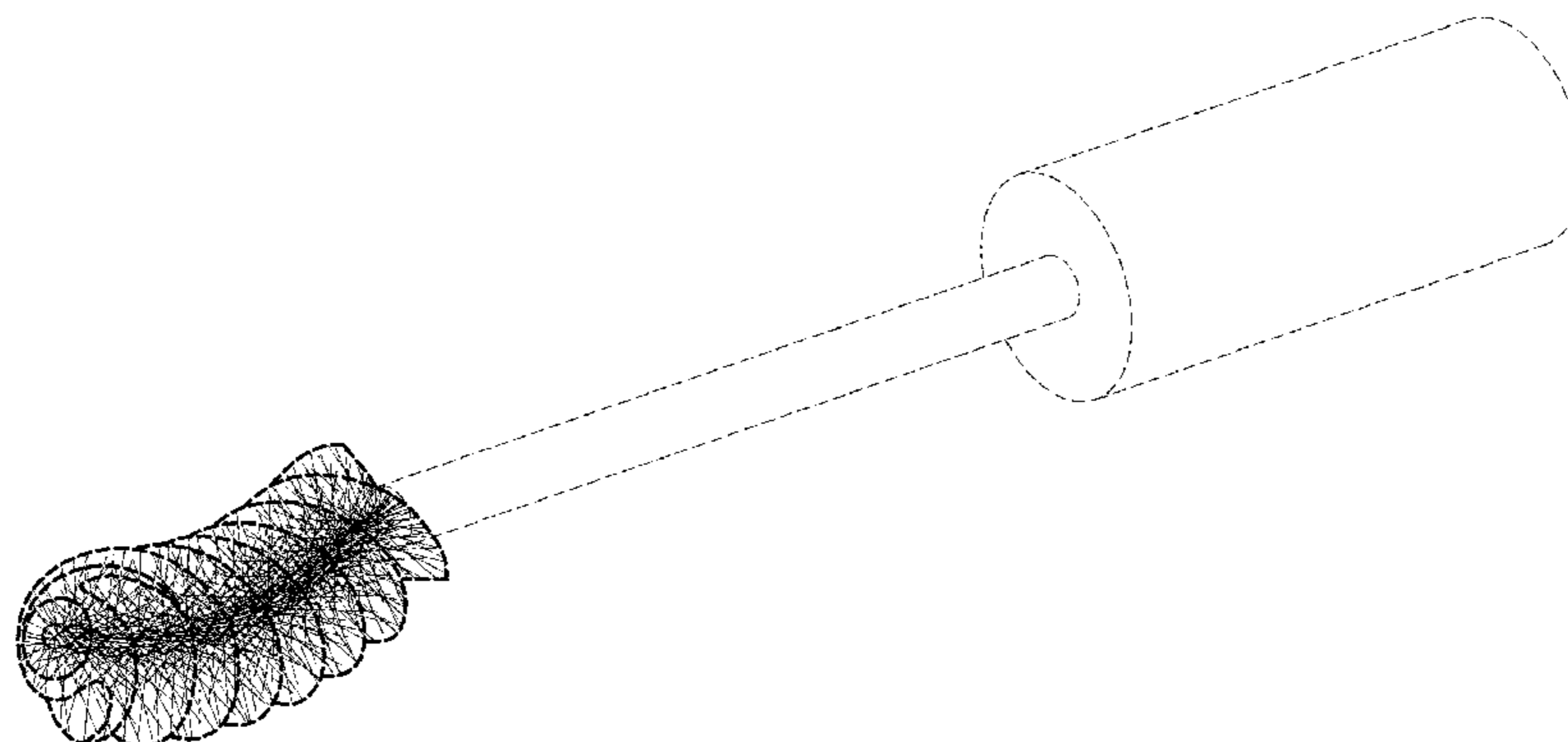
**DESCRIPTION**

FIG. 1 is a perspective view of an embodiment of the cosmetic applicator;  
FIG. 2 is a top view of the cosmetic applicator shown in FIG. 1;  
FIG. 3 is a side view of the cosmetic applicator shown in FIG. 1;  
FIG. 4 is an opposite side view of the cosmetic applicator shown in FIG. 1;  
FIG. 5 is a bottom view of the cosmetic applicator shown in FIG. 1;  
FIG. 6 is a left end view of the cosmetic applicator shown in FIG. 3, and,  
FIG. 7 is a right end view of the cosmetic applicator shown in FIG. 3.

The broken lines in the drawings illustrate environmental structure only and form no part of the claimed design. The bold dashed lines around the cosmetic applicator depict the edge of the bristles for clarity and form no part of the claimed design.

**1 Claim, 4 Drawing Sheets**

(56) **References Cited**  
**U.S. PATENT DOCUMENTS**  
D500,410 S \* 1/2005 Dragan ..... D24/119  
D561,390 S \* 2/2008 Sugawara ..... D28/7  
D639,999 S \* 6/2011 Limongi ..... D28/7  
D650,992 S \* 12/2011 Legassie ..... D4/128  
8,096,306 B2 \* 1/2012 Malvar ..... A46B 1/00  
132/218  
D677,904 S \* 3/2013 Hammer ..... D4/128  
D725,913 S \* 4/2015 Jacob ..... D4/128



(56)

**References Cited**

U.S. PATENT DOCUMENTS

D752,874	S *	4/2016	Jacob	.....	D4/128
D762,393	S *	8/2016	Hong	.....	D4/128
9,526,316	B2 *	12/2016	Pires	.....	A45D 40/262
D790,225	S *	6/2017	Poletto	.....	D4/128
9,788,637	B2 *	10/2017	Hauger	.....	A46B 9/021
D812,380	S *	3/2018	Poletto	.....	D4/128
10,064,475	B2 *	9/2018	Wolfsgruber	.....	A45D 40/267
D830,628	S *	10/2018	Tanaka	.....	D28/7
2005/0133056	A1 *	6/2005	Montoli	.....	A45D 34/042
					132/218
2008/0060669	A1 *	3/2008	Malvar	.....	A45D 40/262
					132/218
2015/0230588	A1 *	8/2015	Pires	.....	A45D 40/262
					401/129
2016/0183663	A1 *	6/2016	Schreiber	.....	A46B 9/021
					401/129

\* cited by examiner

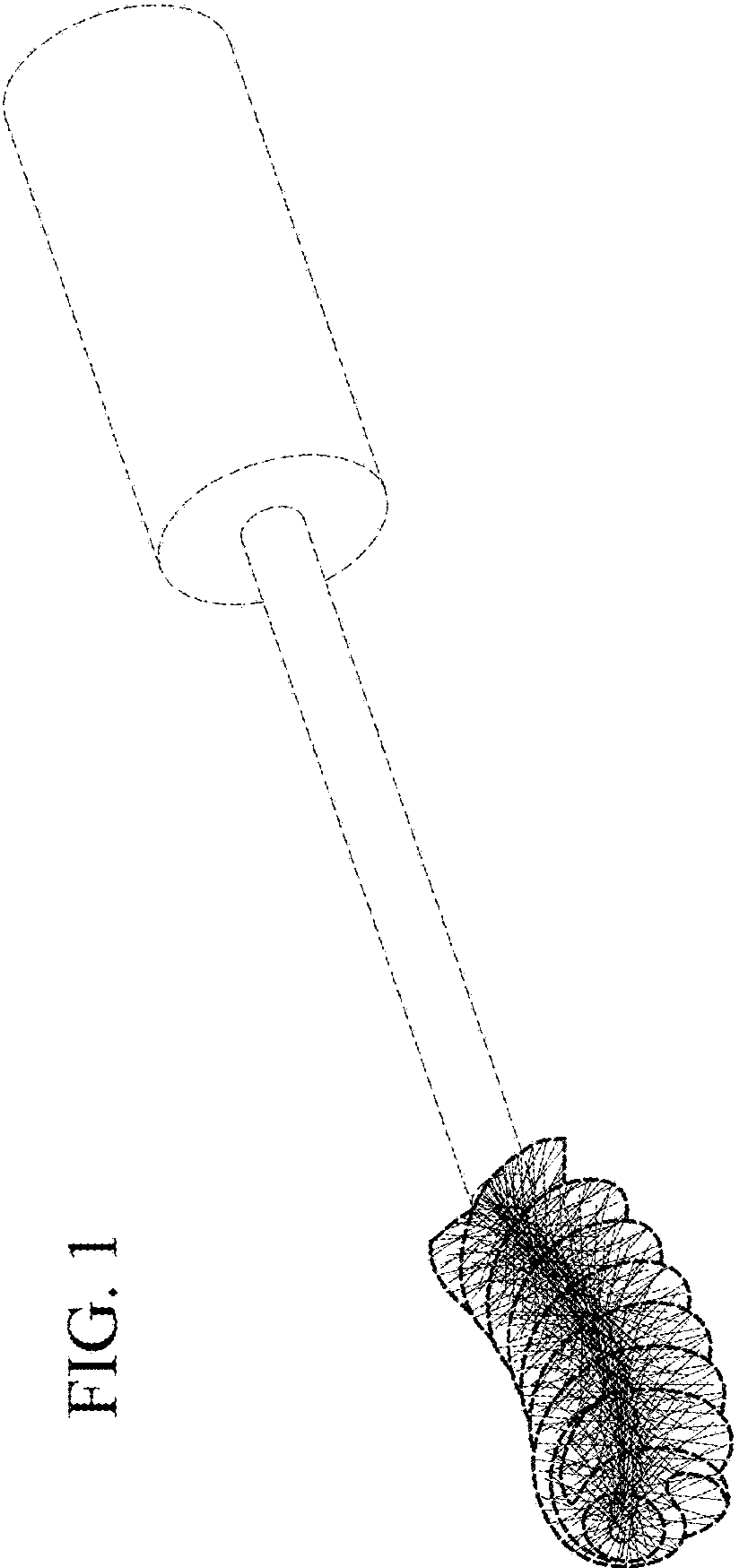


FIG. 1

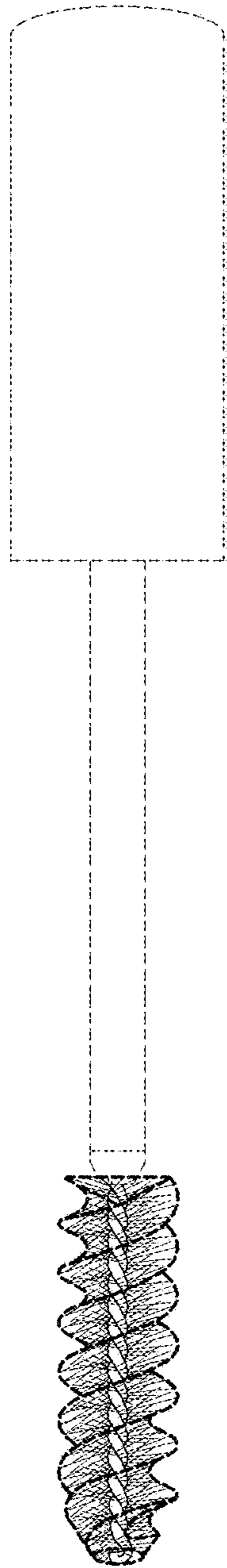


FIG. 2

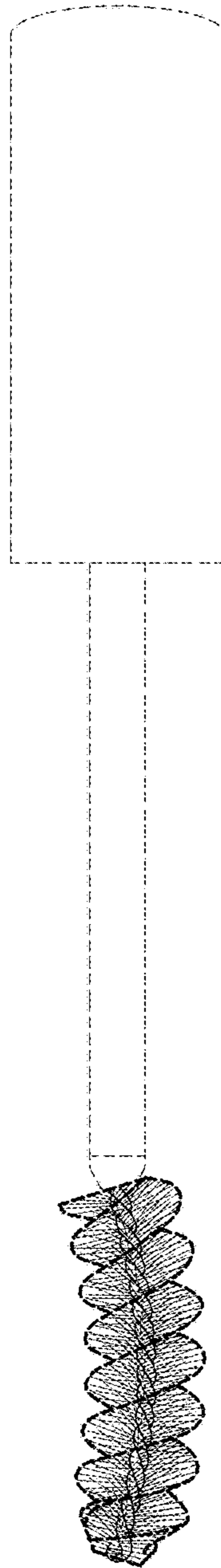


FIG. 3

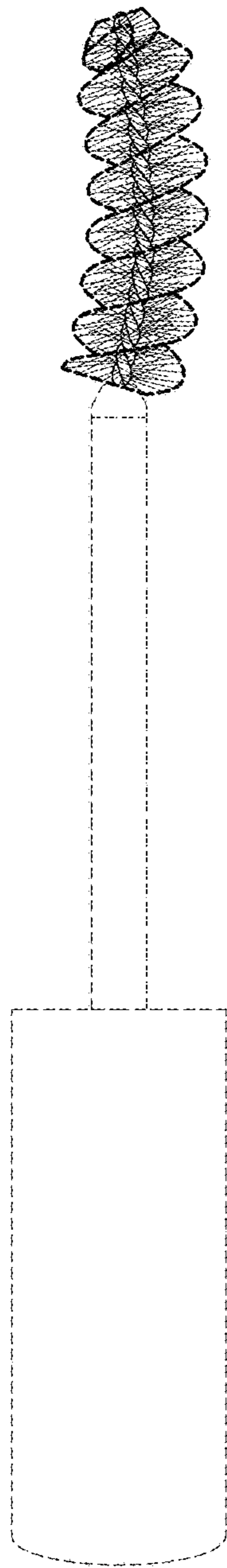


FIG. 4

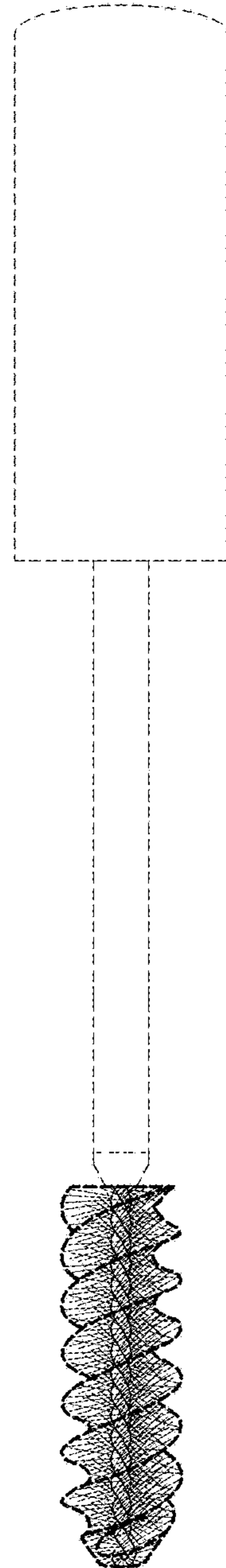


FIG. 5

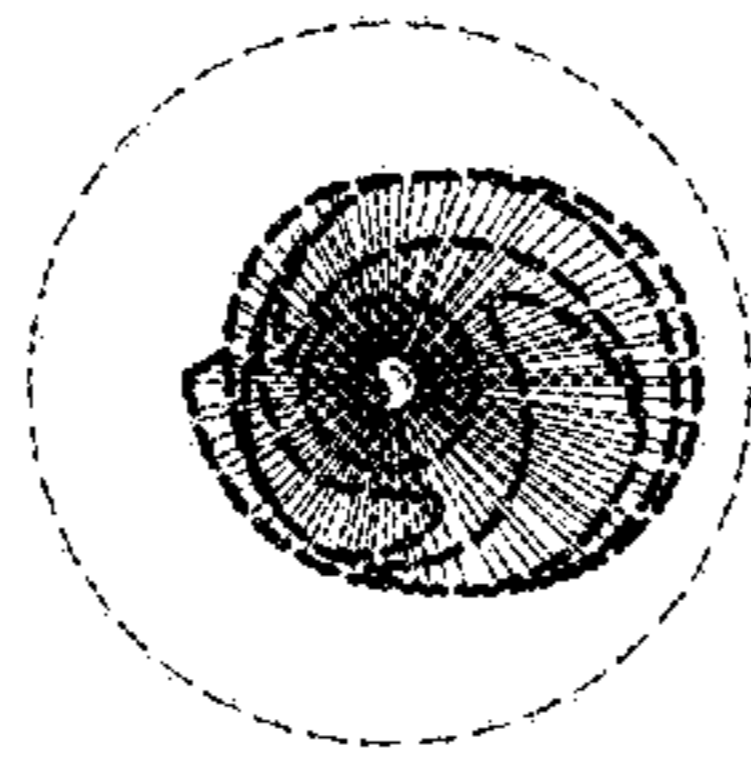


FIG. 6

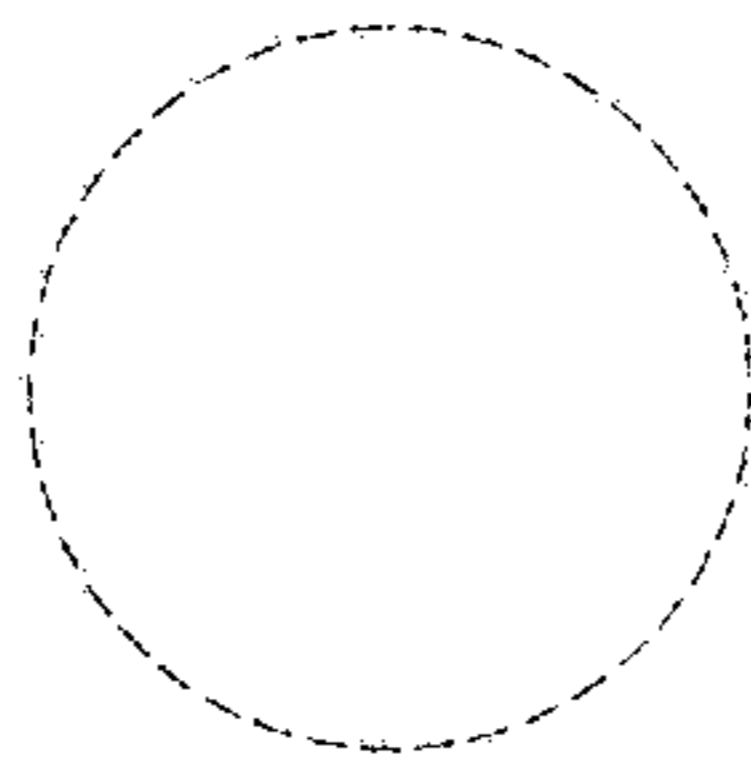


FIG. 7